

- NOTES:
1. WORK THIS DRAWING WITH DRAWINGS 20829 THRU 20831.
 2. ALL LINES, EQUIPMENT, COMPONENTS AND INSTRUMENTS HAVE SYSTEM PREFIX WL UNLESS NOTED OTHERWISE.
 3. Δ - INDICATES DMG. REVISION LEVEL.

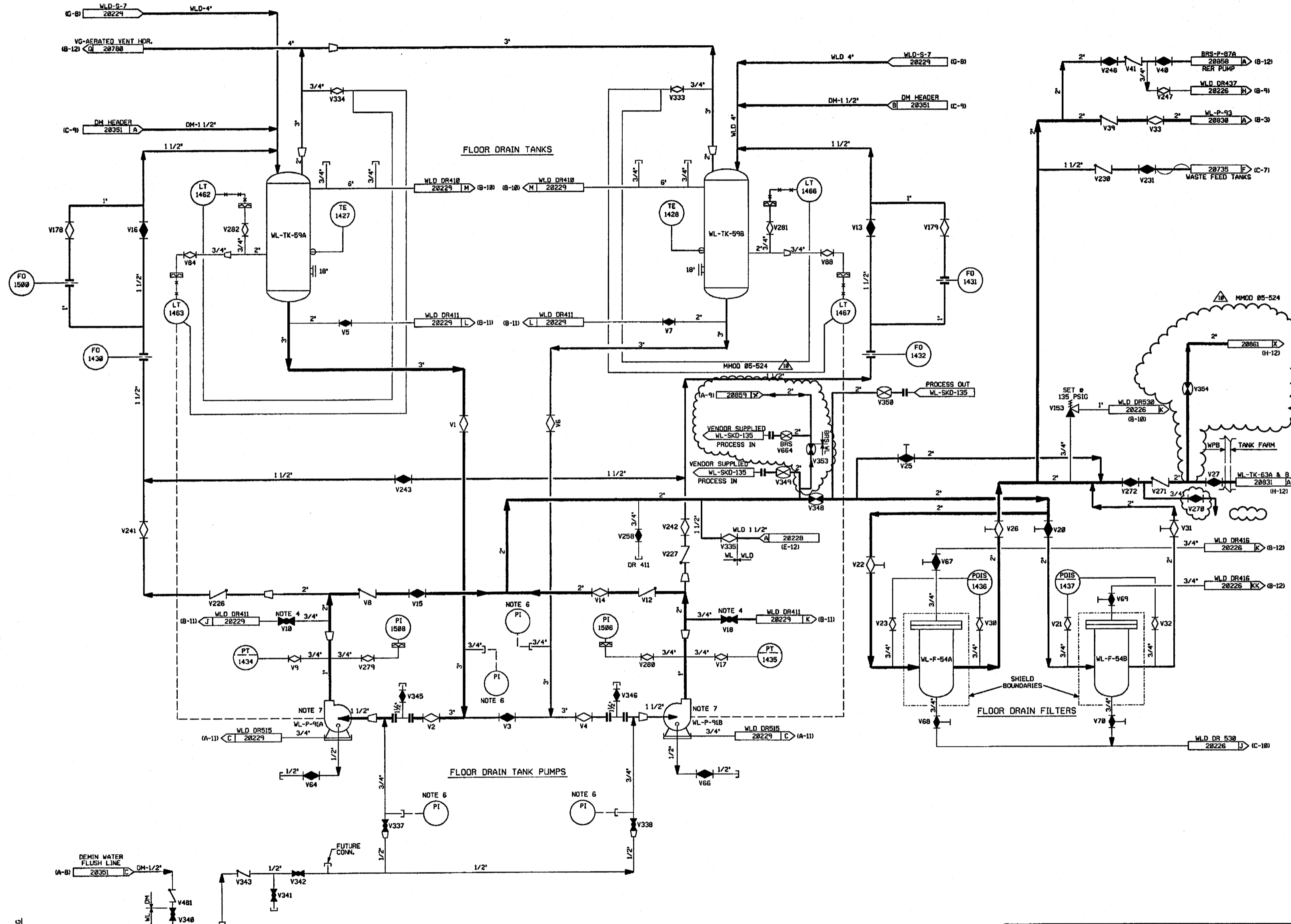
3	7/2/97	BCL		DJS	MW	VNS	INCRP DCR 91-32 CA-8
2	5/1/96	NRB	FCB	APL	DMS	ES	INCRP DCR 86-96 CA 8/1
1	2/2/87	WDS	TAK	WRD	BCL	VNS	ADDED NOTE 3 AND REVISED FOR LATEST SYSTEM DRAWINGS
0	1/28/86	JDM	GJS	WES	HJY	WFD	ISSUED FOR OPERATIONS
REV	DATE	DSGN	DRWN	CHKD	CDE	SES	DESCRIPTION

9763-F-895631	10	SOLID WASTE SYS. SPY. RESIN CONC. P & ID
9763-F-895621	8	WL SYSTEM-DEMIL & TESTING - P & ID
9763-F-895628	11	WL SYSTEM-EVAPORATOR EV-4 - P & ID
9763-F-895619	11	WL SYSTEM-STORAGE & FILTRATION - P & ID
REF. DRAWING NO.	REV	TITLE

North Atlantic Energy Service Corporation	
LIQUID WASTE SYSTEM OVERVIEW	
PID-	1-WL-B20828


PID-1-WL-B20829

FOR P&ID REFERENCE DRAWINGS, SYMBOLS AND ABBREVIATIONS
REFER TO DRAWINGS PAID - LEGEND 1 AND P&ID - LEGEND 2

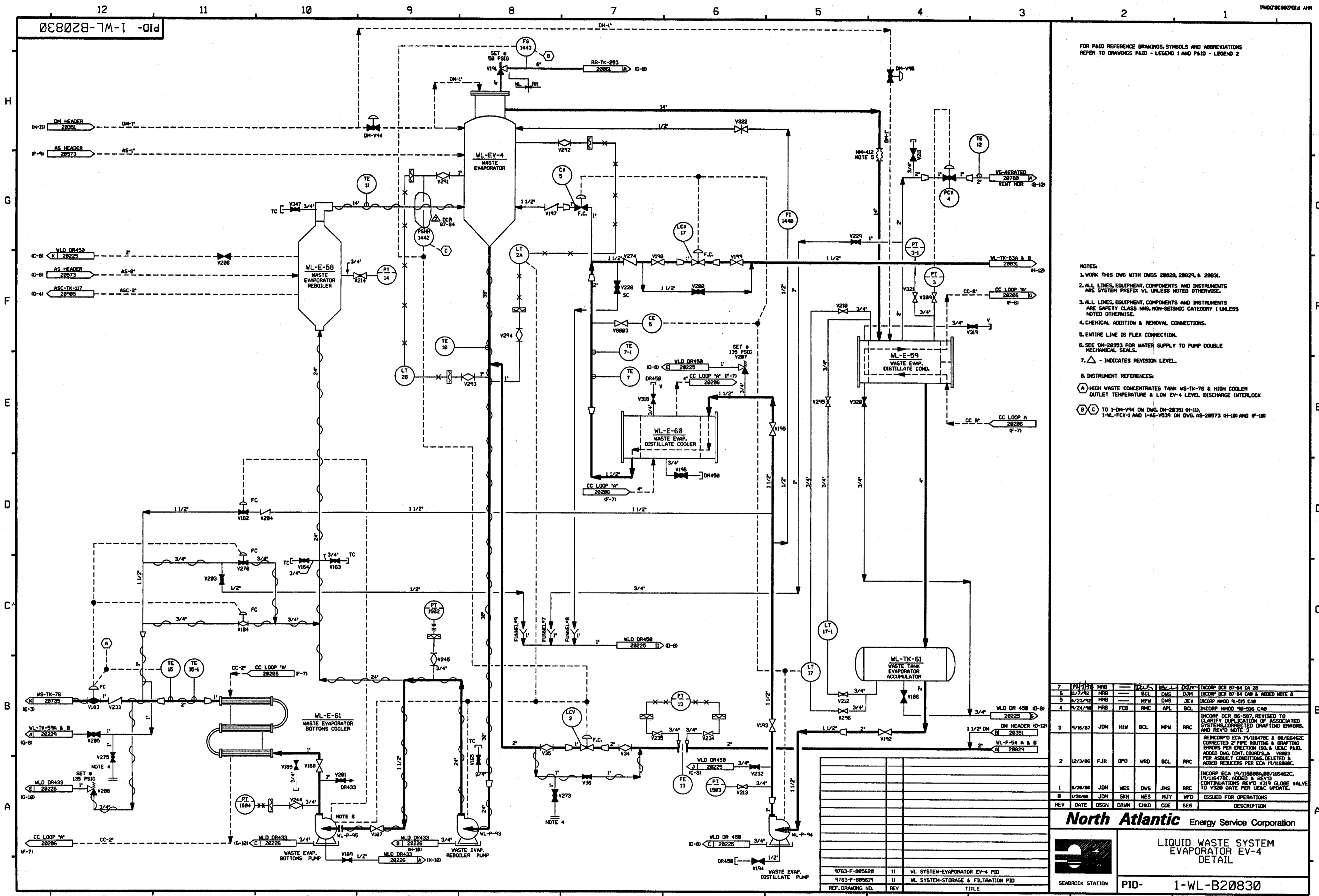


- NOTES:
1. WORK THIS DWG WITH DWGS 20820, 20838, & 20831.
 2. ALL LINES, EQUIPMENT, COMPONENTS, & INSTRUMENTS HAVE SYSTEM PREFIX WL UNLESS NOTED OTHERWISE.
 3. ALL LINES, EQUIPMENT, COMPONENTS, & INSTRUMENTS ARE SAFETY CLASS MMS UNLESS NOTED OTHERWISE.
 4. FLUSH, VENT, AND/OR SAMPLE CONNECTION PIPE TO LOCAL DRAIN FUNNEL.
 5. TELL TALE DRAIN PIPED TO LOCAL DRAIN FUNNEL.
 6. START UP ENGINEERING TO PROVIDE PIPING, VALVES & PITS ALSO STRAINER BLOW OFF PIPING & VALVES FOR INITIAL FLUSHING OPERATION. STRAINER SCREEN TO BE REMOVED AFTER START UP.
 7. SEE P&ID DM-20353 FOR WATER SUPPLY TO PUMP DOUBLE MECHANICAL SEALS.

REV	DATE	DSGN	CHKD	CE	DESCRIPTION
10	6/13/04	BSC	JDM	ZDF	INCRP HMDD 05-524 DCN-08, 02
9	6/17/03	MRB	BCL	VMS	INCRP DCR 91-32 CAB
8	4/21/02	MRB	BCL	JEV	INCRP HMDD 91-515 CAB
7	12/13/99	MRB	JM	RSG	INCRP HMDD 90-610 CAB
6	10/31/98	MRB	JM	RSG	PARTIAL INCRP OF HMDD 90-610 CA 08 REVISED NOTE 7 FOR CLARITY
5	5/4/98	MRB	APL	ES	INCRP DCR 86-96 CA 09 AND DCR 86-93 CA
4	11/17/87	MPW	BCL	WFD	INCRP DCR 86-662 CAB, REVISED NOTE 3
3	6/28/87	JDM	PAL	RRC	INCRP DCR 86-673
2	11/26/86	CSB	WRD	RRC	ADDED P&ID REF DWG NOTE, DWG CONT CORRECTS SEALS TO PIPING & 1500 PER ASSULT COND, FLANGES & FITTINGS PER ASSULT COND, REVISED LT TAG NO TO CORRECT DRAFTING ERRORS, REV'D 2" LINE TO WL-F-54A & B PER ASSULT.
1	6/13/86	DWS	DWS	RRC	ADDED WS, WLD & VG CONTINUATIONS
0	1/28/86	JDM	WES	WFD	ISSUED FOR OPERATIONS

FPL ENERGY		Seabrook Station	
		LIQUID WASTE SYSTEM STORAGE & FILTRATION DETAIL	
REF. DRAWING NO.		TITLE	
9763-F-885631		10 SOLID WASTE SYS. SPT. RESIN CONC. P & ID	
9763-F-885619		11 WL SYSTEM - STORAGE & FILTRATION - PID	
PID-		1-WL-B20829	

PID-1-WL-B20830



FOR P&ID REFERENCE DRAWINGS, SYMBOLS AND ABBREVIATIONS
REFER TO DRAWINGS PAID - LEGEND 1 AND PAID - LEGEND 2

- NOTES:
1. WORK THIS DWG WITH DWGS 28828, 28829, & 28831.
 2. ALL LINES, EQUIPMENT, COMPONENTS AND INSTRUMENTS ARE SYSTEM PREFIX WL UNLESS NOTED OTHERWISE.
 3. ALL LINES, EQUIPMENT, COMPONENTS AND INSTRUMENTS ARE SAFETY CLASS NNS, NON-SEISMIC CATEGORY I UNLESS NOTED OTHERWISE.
 4. CHEMICAL ADDITION & REMOVAL CONNECTIONS.
 5. ENTIRE LINE IS FLEX CONNECTION.
 6. SEE DM-28293 FOR WATER SUPPLY TO PUMP DOUBLE MECHANICAL SEALS.
 7. Δ - INDICATES REVISION LEVEL.
8. INSTRUMENT REFERENCES:
- (A) HIGH WASTE CONCENTRATES TANK WS-TK-76 & HIGH COOLER OUTLET TEMPERATURE & LOW EV-4 LEVEL DISCHARGE INTERLOCK
 - (B) TO 1-DH-V94 ON DWG. DM-28251 01-11.
 - (C) TO 1-ML-FCV-1 AND 1-AS-V539 ON DWG. AS-28573 01-10 AND 01-10

REV	DATE	DSGN	DRWN	CHKD	CDE	SES	DESCRIPTION
7	11/11/92	HRB	BCL	DWS	DJM	INCORP DCR 87-84 EA 20	
6	11/17/92	HRB	BCL	DWS	DJM	INCORP DCR 87-84 CAB & ADDED NOTE 8	
5	4/23/92	HRB	MPW	DWS	JEV	INCORP MMOD 90-515 CAB	
4	3/24/90	HRB	FCB	RMC	APL	BCL	INCORP MMOD 90-516 CAB
3	1/18/87	JDM	HIV	BCL	MPW	RRC	INCORP DCR 86-587, REVISED TO CLARIFY OPERATION OF ASSOCIATED SYSTEMS, CORRECTED DRAFTING ERRORS, AND REV'D NOTE 3
2	12/3/86	FJR	OPD	WRD	BCL	RRC	REMOVED ECA 19/118478C & 19/118482C CORRECTED PIPE ROUTING & DRAFTING ERRORS PER ERECTION ISD & USAC PAID. ADDED DWG. CONT. COORDS. & Y8893 PER ASBUILTY CONDITIONS, DELETED & ADDED REDUCERS PER ECA 19/118898C.
1	9/28/86	JDM	MES	DWS	JMS	RRC	INCORP ECA 19/118898A, 19/118462C, 19/118478C ADDED & REV'D CONTINUATIONS REV'D V319 GLOBE VALVE TO V320 GATE PER USAC UPDATE.
8	1/28/86	JDM	SKN	MES	HJY	WFD	ISSUED FOR OPERATIONS

North Atlantic Energy Service Corporation

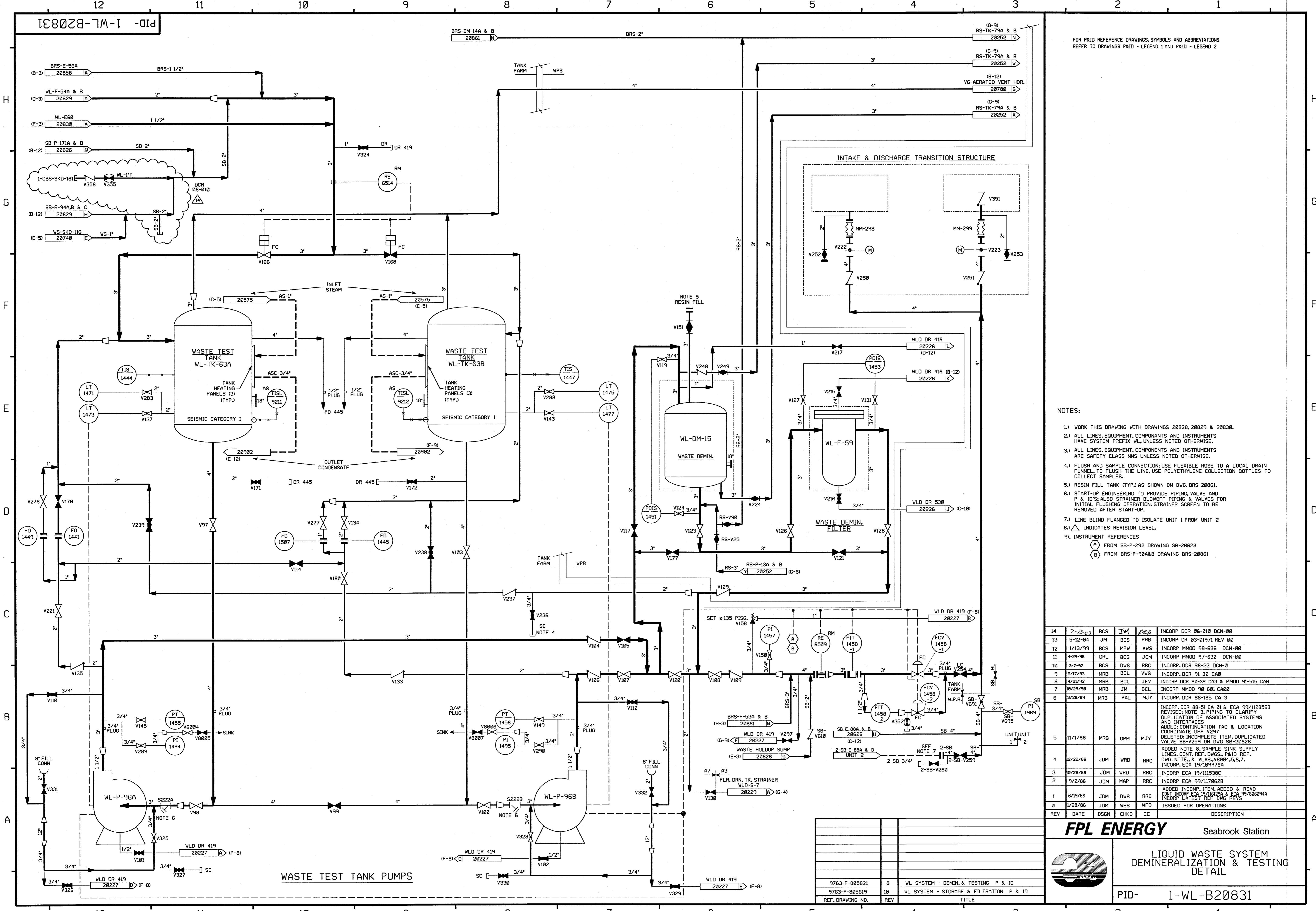


LIQUID WASTE SYSTEM
EVAPORATOR EV-4
DETAIL

SEABROOK STATION PID-1-WL-B20830

REF. DRAWING NO.	REV	TITLE
9763-F-885628	11	WL SYSTEM-EVAPORATOR EV-4 PID
9763-F-885619	11	WL SYSTEM-STORAGE & FILTRATION PID

PID-1-WL-B20831



FOR P&ID REFERENCE DRAWINGS, SYMBOLS AND ABBREVIATIONS REFER TO DRAWINGS PAID - LEGEND 1 AND PAID - LEGEND 2

- NOTES:
- 1) WORK THIS DRAWING WITH DRAWINGS 20828, 20829 & 20830.
 - 2) ALL LINES, EQUIPMENT, COMPONENTS AND INSTRUMENTS HAVE SYSTEM PREFIX WL, UNLESS NOTED OTHERWISE.
 - 3) ALL LINES, EQUIPMENT, COMPONENTS AND INSTRUMENTS ARE SAFETY CLASS NNS UNLESS NOTED OTHERWISE.
 - 4) FLUSH AND SAMPLE CONNECTION; USE FLEXIBLE HOSE TO A LOCAL DRAIN FUNNEL TO FLUSH THE LINE, USE POLYETHYLENE COLLECTION BOTTLES TO COLLECT SAMPLES.
 - 5) RESIN FILL TANK (TYP) AS SHOWN ON DWG. BRS-20861.
 - 6) START-UP ENGINEERING TO PROVIDE PIPING, VALVE AND P & ID'S; ALSO STRAINER BLOWOFF PIPING & VALVES FOR INITIAL FLUSHING OPERATION, STRAINER SCREEN TO BE REMOVED AFTER START-UP.
 - 7) LINE BLIND FLANGED TO ISOLATE UNIT 1 FROM UNIT 2
 - 8) Δ INDICATES REVISION LEVEL.
 - 9) INSTRUMENT REFERENCES
 (A) FROM SB-P-292 DRAWING SB-20628
 (B) FROM BRS-P-90A8 DRAWING BRS-20861

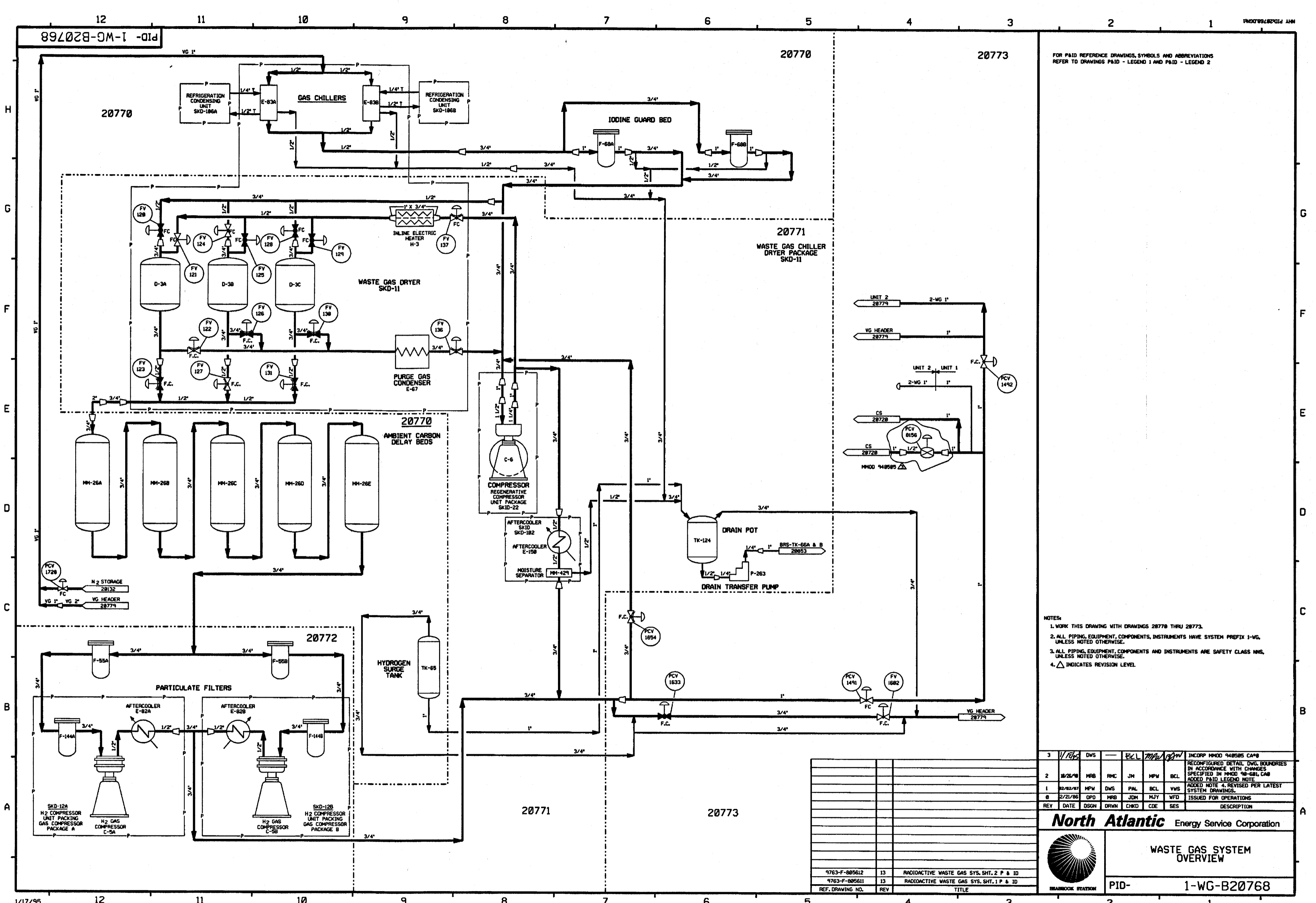
REV	DATE	DSGN	CHKD	CE	DESCRIPTION
14	7-23-03	BCS	JW	RCB	INCORP DCR 06-010 DCN-00
13	5-12-04	JM	BCS	RRB	INCORP CR 03-01971 REV 00
12	1/13/99	BCS	MPW	VWS	INCORP MMOD 98-686 DCN-00
11	4-29-98	DRL	BCS	JCM	INCORP MMOD 97-632 DCN-00
10	3-7-97	BCS	DWS	RRC	INCORP DCR 96-22 DCN-0
9	6/17/93	MRB	BCL	VWS	INCORP DCR 91-32 CA0
8	4/21/92	MRB	BCL	JEV	INCORP DCR 90-39 CA3 & MMOD 91-515 CA0
7	10/29/90	MRB	JM	BCL	INCORP MMOD 90-601 CA00
6	3/28/89	MRB	PAL	MJY	INCORP DCR 86-185 CA 3
5	11/1/88	MRB	GPM	MJY	INCORP DCR 88-51 CA 01 & ECA 99/1128568 REVISED; NOTE 3, PIPING TO CLARIFY DUPLICATION OF ASSOCIATED SYSTEMS AND INTERFACES ADDED: CONTINUATION TAG & LOCATION COORDINATE OFF V219 DELETED: INCOMPLETE ITEM, DUPLICATED VALVE SB-V259 ON DWG SB-20626
4	12/22/86	JDM	WRD	RRC	ADDED NOTE 8, SAMPLE SINK SUPPLY LINES, CONT. REF. DWGS, P&ID REF. DWG, NOTE, & VLS, V0804, 5, 6, 7, INCORP. ECA 19/103976A
3	10/28/86	JDM	WRD	RRC	INCORP ECA 19/111538C
2	9/2/86	JDM	MAP	RRC	INCORP ECA 99/117052B
1	6/19/86	JDM	DWS	RRC	ADDED INCOMP. ITEM, ADDED & REVD CONT. INCORP ECA 19/11529A & ECA 99/880894A INCORP LATEST REF DWG REVS
0	1/28/86	JDM	WES	WFO	ISSUED FOR OPERATIONS

FPL ENERGY Seabrook Station

LIQUID WASTE SYSTEM
DEMINERALIZATION & TESTING
DETAIL

PID- 1-WL-B20831

REF. DRAWING NO.	REV	TITLE
9763-F-805621	8	WL SYSTEM - DEMIN. & TESTING P & ID
9763-F-805619	10	WL SYSTEM - STORAGE & FILTRATION P & ID



FOR PAID REFERENCE DRAWINGS, SYMBOLS AND ABBREVIATIONS REFER TO DRAWINGS PAID - LEGEND 1 AND PAID - LEGEND 2

- NOTES:
1. WORK THIS DRAWING WITH DRAWINGS 28770 THRU 28773.
 2. ALL PIPING, EQUIPMENT, COMPONENTS, INSTRUMENTS HAVE SYSTEM PREFIX 1-WG, UNLESS NOTED OTHERWISE.
 3. ALL PIPING, EQUIPMENT, COMPONENTS AND INSTRUMENTS ARE SAFETY CLASS NMS, UNLESS NOTED OTHERWISE.
 4. Δ INDICATES REVISION LEVEL.

3	11/18/95	DMS		ECL	MPL	OPN	INCORP M400 948585 CA#8
2	10/25/90	HRB	RMC	JN	MPW	BCL	RECONFIGURED DETAIL DWG. BOUNDARIES IN ACCORDANCE WITH CHANGES SPECIFIED IN M400 94-681, CA#8 ADDED PAID LEGEND NOTE
1	02/02/87	MPW	DMS	PAL	BCL	YMS	ADDED NOTE 4, REVISED PER LATEST SYSTEM DRAWINGS.
0	2/21/86	OPD	HRB	JDM	HJY	WFD	ISSUED FOR OPERATIONS
REV	DATE	DSGN	DRWN	CHKD	CDE	SES	DESCRIPTION

North Atlantic Energy Service Corporation



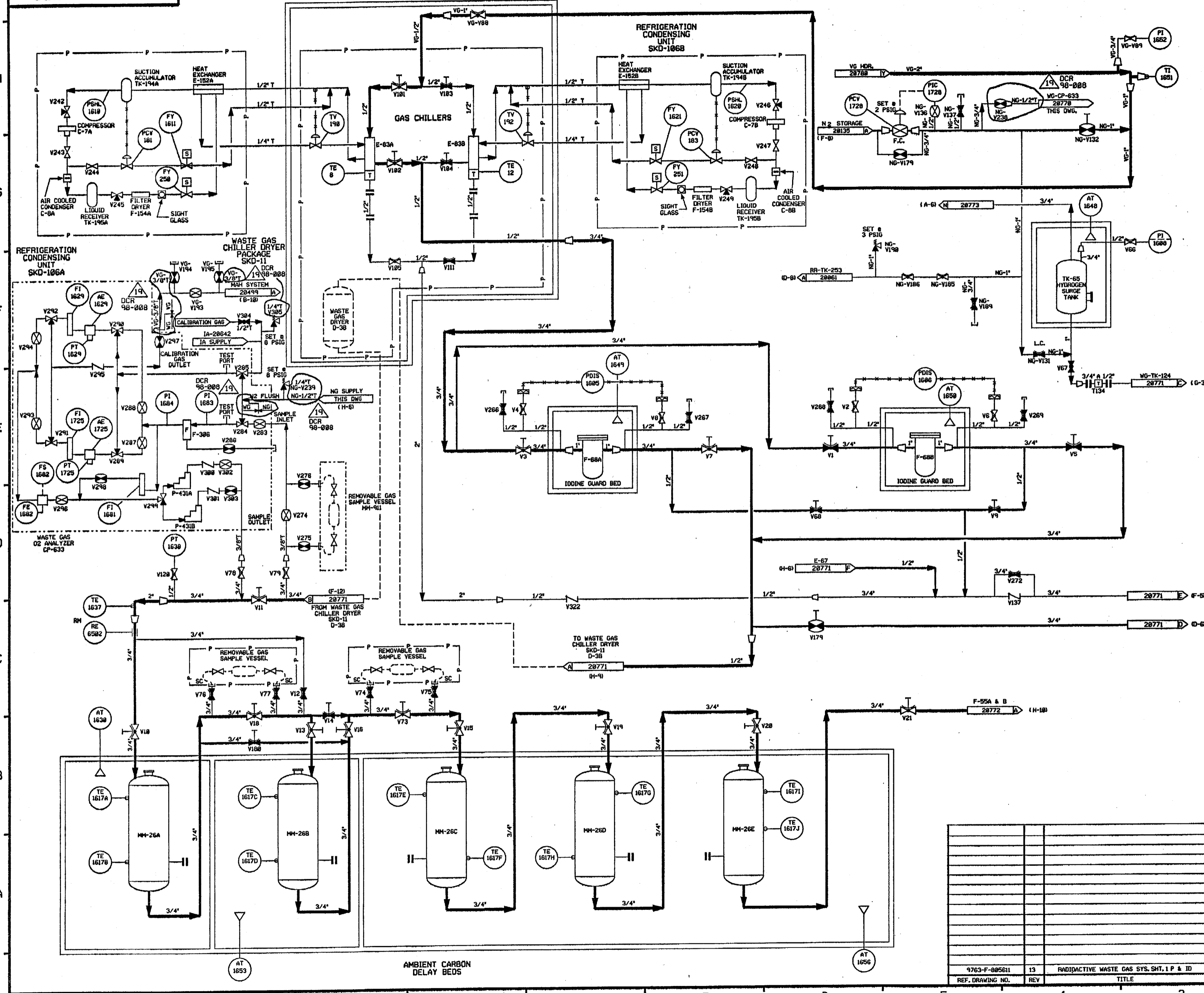
WASTE GAS SYSTEM OVERVIEW

PID- 1-WG-B20768

9763-F-805612	13	RADIOACTIVE WASTE GAS SYS. SHT. 2 P & ID
9763-F-805611	13	RADIOACTIVE WASTE GAS SYS. SHT. 1 P & ID
REF. DRAWING NO.	REV	TITLE

PID-1-WG-B20770

FOR P&ID REFERENCE DRAWINGS, SYMBOLS AND ABBREVIATIONS REFER TO DRAWINGS P&ID - LEGEND 1 AND P&ID - LEGEND 2



- NOTES:
1. WORK THIS DRAWING WITH DRAWINGS 20766, 20771, 20772 & 20773.
 2. ALL PIPING, EQUIPMENT, COMPONENTS AND INSTRUMENTS HAVE SYSTEM PREFIX 1-WG UNLESS NOTED OTHERWISE.
 3. ALL PIPING, EQUIPMENT, COMPONENTS AND INSTRUMENTS ARE SAFETY CLASS NMS UNLESS NOTED OTHERWISE.
 4. Δ - INDICATES REVISION LEVEL.
 5. DELETED

REV	DATE	DSGN	CHKD	SES	DESCRIPTION
19	1/27/03	MPW	JM	SES	REINCORP DCR 98-888 DCH 88
18	5/17/82	JM	MPW	IV	INCORP MH00 81-8534 DCH 88
17	4/27/99	RWS	BCS	YVS	INCORP MH00 98-8564 DCH 88
16	4-22-99	RWS	DWS	APB	INCORP DCR 98-888 DCH 88
15	8-26-98	MPW	BCS	BAW	INCORP DCR 98-888 DCH 81 PARTIAL INCORP. DCR 98-888 DCH 88
14	8-18-97	MPW	BCS	YVS	INCORP MH00 98-831 DCH 88
13	6-11-95	BCL	MPV	RJF	INCORP MH00 93-855 CA#9
12	3-18-95	BCL	MPV	MRJ	INCORP MH00 93-855 CA#9
11	12-09-94	DWS	BCL	MHD	INCORP MH00 93-855 CA#9
10	6/3/94	BCL	MRB	JLD	INCORP DCR 93-23 CAB1
9	11-7-92	MRB	BCL	DJM	INCORP DCR 87-84 CAB & II
8	10-21-92	DWS	MRB	DJM	INCORP DCR 88-82 CAB
7	10-9-91	MRB	JM	RSG	INCORP. DCR 89-67 CAB1
6	10/26/90	MRB	JM	BCL	INCORP. MH00 98-881 CAB
5	12/28/89	GPH	PAL	RRC	REVISED PIPING TO CLARIFY DUPLICATION OF ASSOCIATED SYSTEMS AND INTERFACES. V6-V93 VALVE SYMBOL PER FP33674. CONT. COORD. VALVE V61 SYSTEM DESIGNATION FROM V6 TO V6 PER LE & C P & ID 885611
4	1/6/88	MPW	DWS	MJY	INCORPORATED. DCR 87-314
3	11/21/86	MPW	PAL	RRC	DELETED NOTE & ADDED CONT REF LOCATIONS. RACK MOUNTED SYMBOL TO INSTRUMENTS PER S.T.S. REVISED LINE SIZE PT TO P VALVE NO V253 TO V223 & LOCATION OF AE-1629 & AE-1726 PER ERECTION ISO.
2	9/2/86	JDM	MWP	RRC	INCORP ECA 99/117738A
1	6/28/86	JDM	DWS	RRC	REVISED CHG ITEM 1 & INCORP ECA'S 19/08658A, 99/11337A, 99/08657A, 99/115139A & 19/881587A
0	02/21/86	OPD	JDM	WFD	ISSUED FOR OPERATIONS

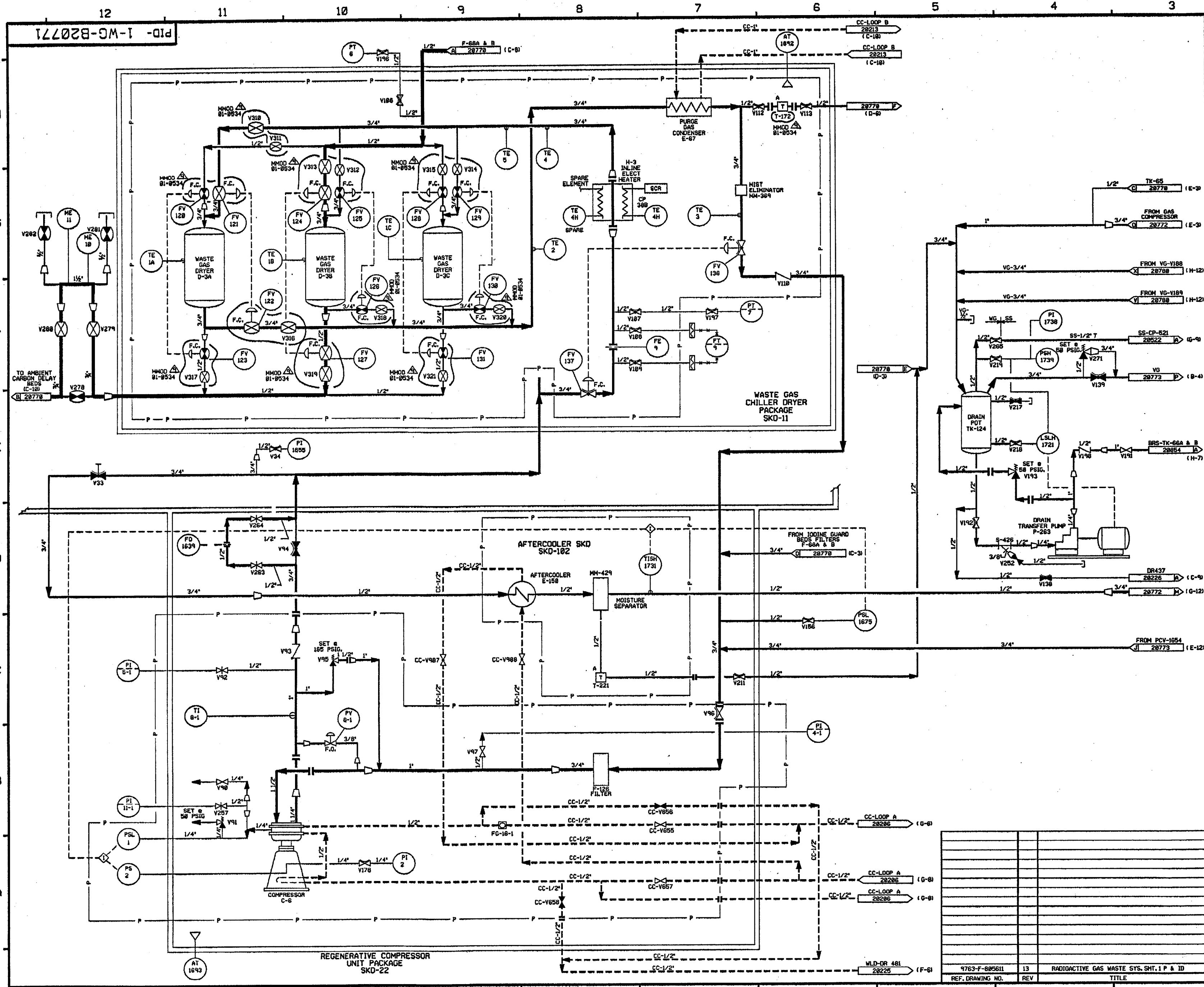
FPL ENERGY Seabrook Station



WASTE GAS SYSTEM
DETAIL

PID- 1-WG-B20770

REF. DRAWING NO.	REV	TITLE
9763-F-885611	13	RADIOACTIVE WASTE GAS SYS. SHT. 1 P & ID



FOR PAID REFERENCE DRAWINGS, SYMBOLS AND ABBREVIATIONS REFER TO DRAWINGS PAID - LEGEND 1 AND PAID - LEGEND 2

- NOTES:
1. WORK THIS DRAWING WITH DRAWINGS 28768, 28778, 28772 AND 28773.
 2. ALL PIPING, EQUIPMENT, COMPONENTS AND INSTRUMENTS HAVE SYSTEM PREFIX 1-WG, UNLESS NOTED OTHERWISE.
 3. ALL PIPING, EQUIPMENT, COMPONENTS AND INSTRUMENTS ARE SAFETY CLASS INSS, UNLESS NOTED OTHERWISE.
 4. Δ INDICATES REVISION LEVEL.
 5. DELETED

REV	DATE	DSGN	DRWN	CHKD	CDE	SES	DESCRIPTION
9	5/10/02	JM					INCRP. MMD 81-9534 DCM 88
8	4/28/99	RVS		BCS	DWS	GRM	INCRP. DCR 95-8899 DCM 88 & 81
7	4/28/98	MPM		BCS	DWS	SPF	INCRP. MMD 98-985 DCM 88
6	10/26/92	MRB		DWS	BCL	DJM	INCRP. DCR 88-82 CAB
5	11/26/90	MRB		RHC	JH	MPW	INCRP. MMD 98-681 CAB
4	12/28/89	MRB		RHC	PAL	APL	ES
3	1/28/88	GPM		RMC	APL	BCL	RRR
2	11/28/86	MPM		TAK	WRD	BCL	RRR
1	1/27/86	WES		WES	BCL	JMS	RRR
0	2/21/86	OPD		MRB	JDM	MJY	WFO

North Atlantic Energy Service Corporation

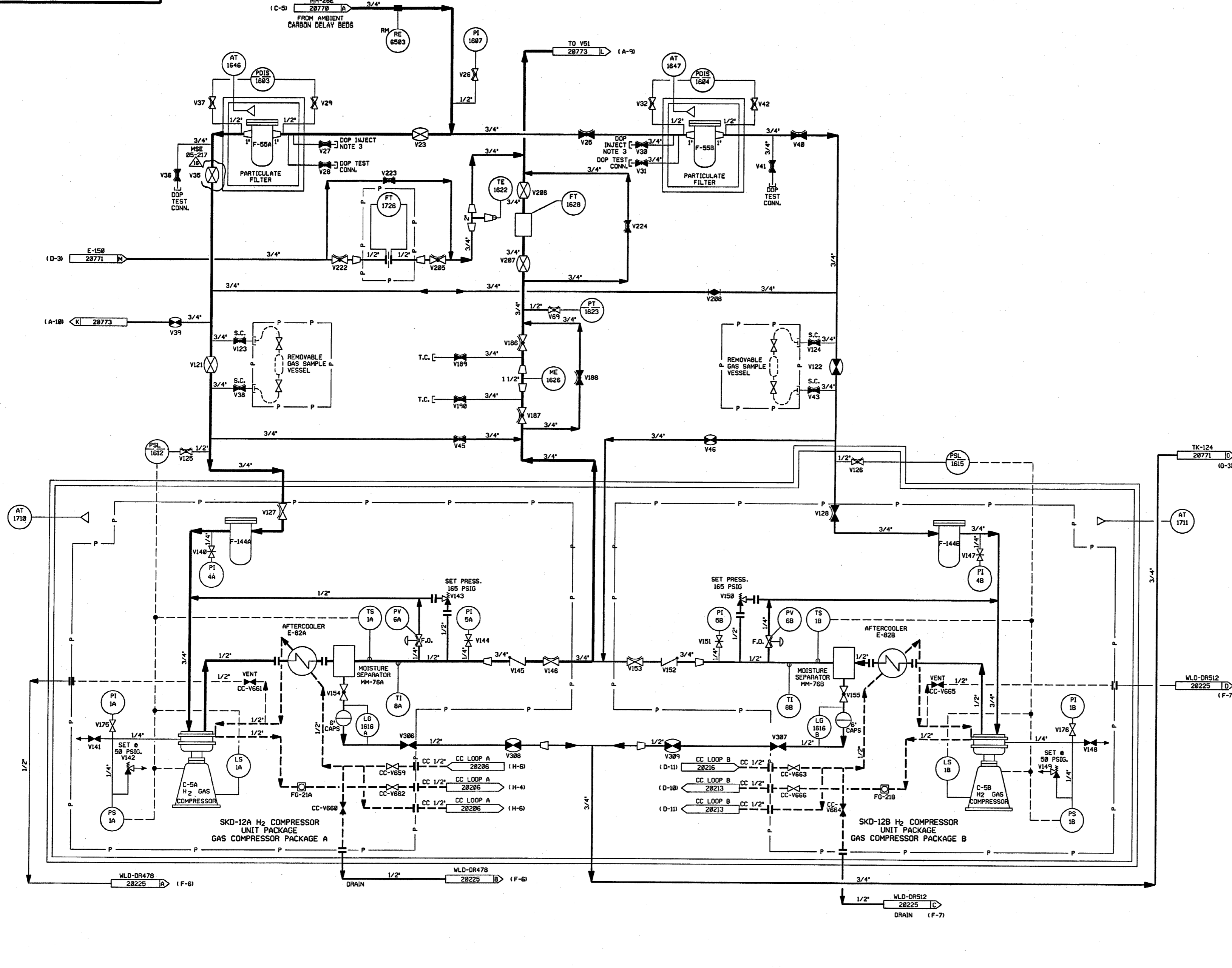


WASTE GAS SYSTEM
DETAIL
REGENERATIVE LOOP

PID- 1-WG-B20771

REF. DRAWING NO.	REV	TITLE
9763-F-885611	13	RADIOACTIVE GAS WASTE SYS. SHT. 1 P & ID

PID-1-WG-B20772



FOR P&ID REFERENCE DRAWINGS, SYMBOLS AND ABBREVIATIONS REFER TO DRAWINGS P&ID - LEGEND 1 AND P&ID - LEGEND 2

- NOTES:
1. WORK THIS DRAWING WITH DRAWINGS 20768, 20770, 20771 & 20773.
 2. ALL PIPING, EQUIPMENT, COMPONENTS AND INSTRUMENTS HAVE SYSTEM PREFIX 1-WG, UNLESS NOTED OTHERWISE.
 3. DOP FILTER EFFICIENCY TEST PORTS.
 4. ALL PIPING, EQUIPMENT, COMPONENT AND INSTRUMENTS ARE SAFETY CLASS NNS, UNLESS NOTED OTHERWISE.
 5. Δ INDICATES REVISION LEVEL.
 6. DELETED

REV	DATE	DSGN	CHKD	CE	DESCRIPTION
16	1-17-87	JM	BCS	RJB	INCORP MSE 05-217 REV 00, 01.
15	10/19/86	BCS	JM	RRB	PARTIAL INCORP MSE 05-217 REV 00
14	10/20/83	BCS	ALP	RRB	PARTIAL INCORP MSE 01-206 REV. 00
13	10/16/83	MPW	BCS	RRB	INCORP MSE 03-225 REV. 01
12	5/22/83	BCS	JM	JC	PARTIAL INCORP DCR 02-001 DCN-00
11	10/01/81	BCS	MPW	DJM	INCORP MSE 01-0096 REV. 0
10	11/14/80	MPW	BCS	SPF	INCORP MMDD 99-0605 DCN 00
9	4/27/79	RWS	BCS	HWM	INCORP MMDD 98-0564 DCN 00
8	4/22/79	RWS	BCS	SGF	INCORP DCR 98-0046 DCN 00
7	6/02/78	DRL	BCS	VNS	INCORP MMDD 97-521 DCN 00
6	12/3/74	DWS	BCL	MHO	INCORP MMDD 930545 CA*0
5	10/26/70	MRB	JM	BCL	INCORP MMDD 98-601 CA00
4	09/20/68	GPM	APL	RRC	REVISED NOTE 3, VALVE SYMBOLS FOR V0-V88 & V120 PER FP 93874 & 91411, EQUIPMENT CONT REFERENCE FROM E-150 TO C-5. ADDED FC SYMBOL FOR VALVE FV 150 PER MHT-506833.
3	11/20/66	MPW	WRD	RRC	ADDED CONTINUATION REF DWG AND P&ID LEGEND REF NOTE, ADDED RACK MOUNTED SYMBOL PER S.I.S., REVISED FT TO PT & FCY TO PCY PER S.I.S., DELETED NOTE 5.
2	9/2/66	JDM	MAP	RRC	INCORP ECA 99/117730A
1	6/20/66	JDM	DWS	RRC	APPROVED CHANGE ITEM NO. 1 PER LATEST REV TO REF. DWG, INCORP ECA 88/82183A/1/115491A
0	2/21/66	DPD	JDM	WFD	ISSUED FOR OPERATIONS

FPL ENERGY Seabrook Station

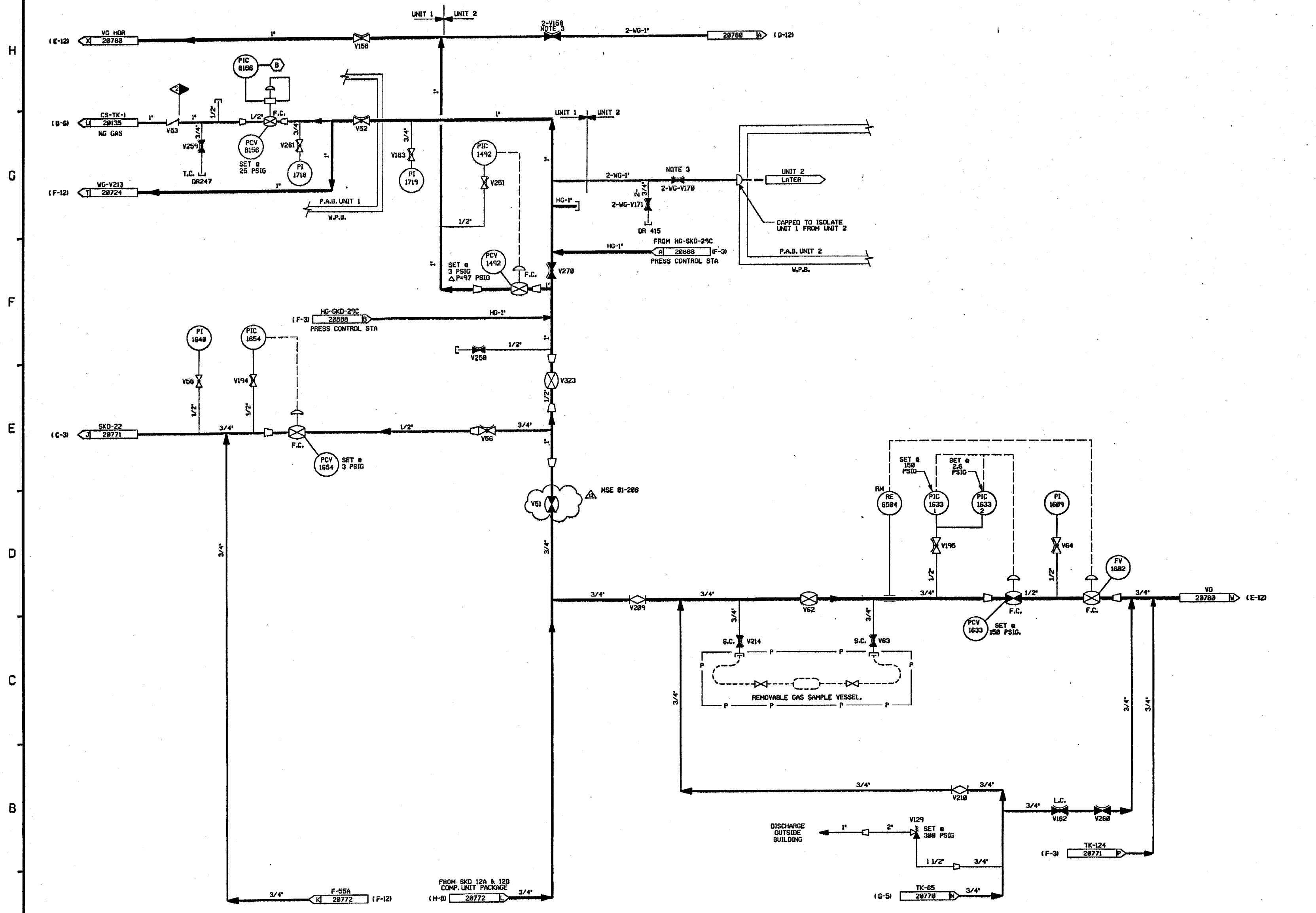
WASTE GAS SYSTEM
DETAIL

PID- 1-WG-B20772

REF. DRAWING NO.	REV	TITLE
9763-F-805611	13	RADIOACTIVE WASTE GAS SYS. SHT. 1 P & ID
9763-F-805612	13	RADIOACTIVE WASTE GAS SYS. SHT. 2 P & ID

PID-1-WG-B20773

FOR PAID REFERENCE DRAWINGS, SYMBOLS AND ABBREVIATIONS
REFER TO DRAWINGS PAID - LEGEND 1 AND PAID - LEGEND 2



- NOTES:
1. WORK THIS DRAWING WITH DRAWINGS 20768, 20776, 20771 & 20772.
 2. ALL PIPING, EQUIPMENT, COMPONENTS, & INSTRUMENTS HAVE SYSTEM PREFIX "1-WG" UNLESS NOTED OTHERWISE.
 3. THIS VALVE TO BE LOCKED CLOSED DURING UNIT 2 CONSTRUCTION.
 4. ALL PIPING & INSTRUMENTS ARE SAFETY CLASS UNLESS OTHERWISE NOTED.
 5. Δ INDICATES REVISION LEVEL.
 6. \square DELETED.
 7. INSTRUMENT REFERENCES:
 - (B) FROM CS-PT-115 ON PAID CS-20725

PORTIONS OF THIS DRAWING ARE
NUCLEAR SAFETY RELATED

REV	DATE	DSGN	CHKD	CE	DESCRIPTION
13	10/15/03	BCS	ML	JC	PARTIAL INCORP MSE 01-286 REV.0
12	5/5/03	BCS	JM	JC	PARTIAL INCORP DCR 02-061, DCN-06
11	5/07/02	JH	MPW	ICM	INCORP MSE 01-0076 REV. 0
10	3/08/00	BCL	MPW	MRJ	INCORP H400 938538 CA#8
9	2/7/99	DWS	BCL	MRJ	INCORP H400 938545 CA#9
8	6/2/94	DWS	BCL	JV	INCORP H400 948526 CA#8 & 2
7	10/29/92	DWS	BCL	WFZ	INCORP DCR 090001 CA#8
6	10/9/91	GPM	JH	RSG	INCORP DCR 09-57 CA#8
5	10/28/90	MRB	JH	BCL	INCORP H400 96-601 CA#8
4	12/28/89	MRB	PAL	ES	INCORPORATED DCR 07-268 CA#8 REVISION NOTE: V216 VALVE SYMBOL FROM NORMALLY CLOSED TO OPEN, CONT DWD NO & COORD ADDED F.C. PER PP 51975 & 55680 FOR VALVE PCV-8536, LOOP & LOGIC MAY-2003 FOR VALVE PCV-1431
3	9/28/88	GPM	APL	RRC	ADDED CONTINUATION FLAG COORDS, REMOVED CAP PER ECA 19/107612A, REMOVED DUPLICATED INSTR SHOWING ON HG SYS DELETED NOTE 6, IDENTIFIED DRAWN PER LEGAL PAID, ADDED NUCLEAR SAFETY RELATED NOTE
2	11/28/86	MRJ	WRD	RRC	REMOVED CHANGE ITEMS PER ECA 19/107612A & LATEST LEGAL REV. INCORP ECA 19/107612A & 19/107614A
1	6/7/86	WES	DMS	RRC	ISSUED FOR OPERATIONS
0	2/21/86	DPD	JDM	WFD	

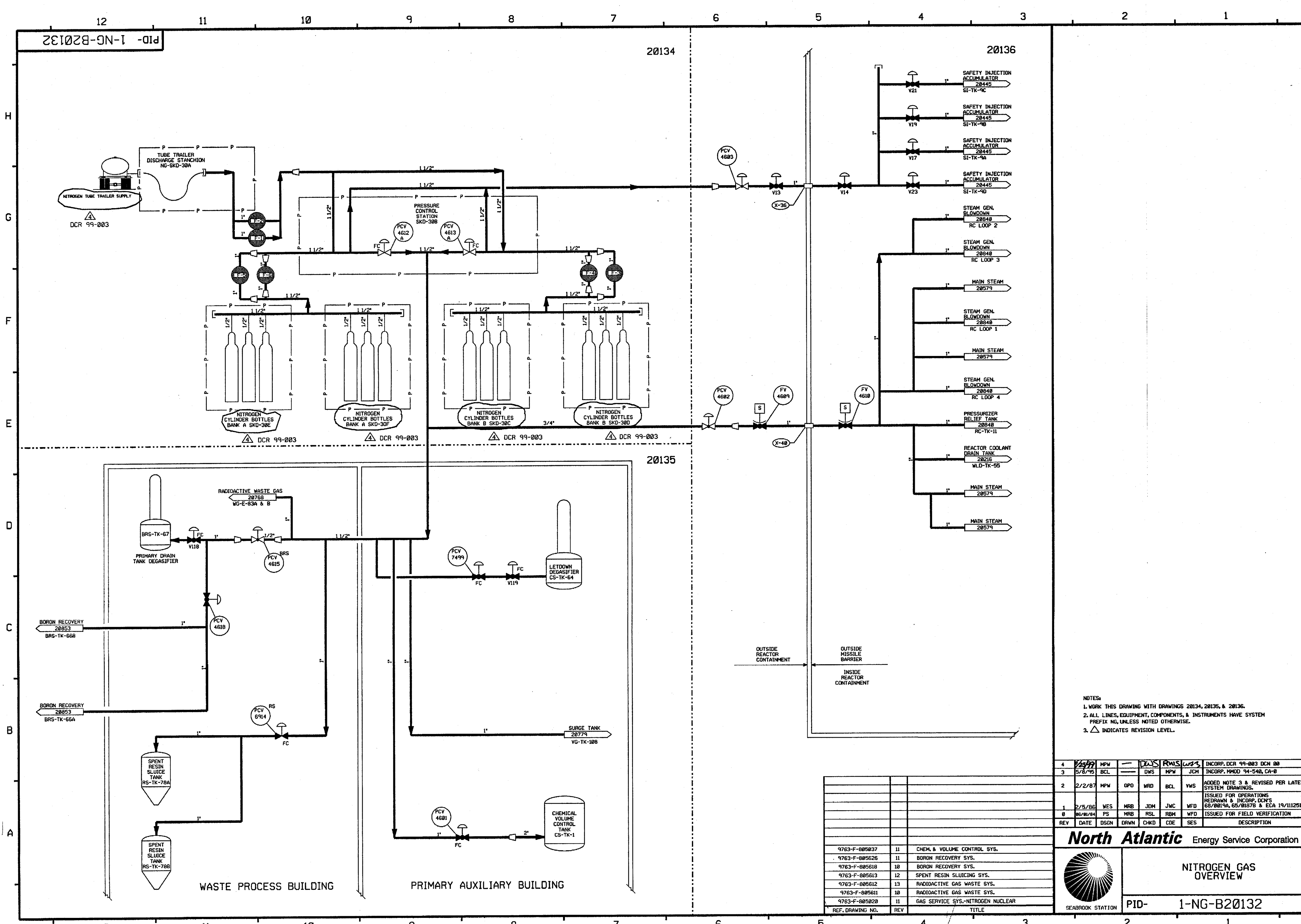
FPL ENERGY Seabrook Station



WASTE GAS SYSTEM
DETAIL

PID- 1-WG-B20773

REF. DRAWING NO.	REV	TITLE
9763-F-005612	13	RADIOACTIVE GAS WASTE SYS. SHT. 2 P & ID



NOTES:
 1. WORK THIS DRAWING WITH DRAWINGS 20134, 20135, & 20136.
 2. ALL LINES, EQUIPMENT, COMPONENTS, & INSTRUMENTS HAVE SYSTEM PREFIX NG, UNLESS NOTED OTHERWISE.
 3. Δ INDICATES REVISION LEVEL.

REV	DATE	DSGN	DRWN	CHKD	CDE	SES	DESCRIPTION
4	1/2/99	MPW		DCS	RMS	JCH	INCORP. DCR 99-003 DCN 00
3	5/8/95	BCL		DWS	MPW	JCH	INCORP. MMOD 94-548, CA-8
2	2/2/87	MPW	OPD	MRO	BCL	VMS	ADDED NOTE 3 & REVISED PER LATEST SYSTEM DRAWINGS
1	2/5/86	WES	MRE	JDM	JWC	WFD	ISSUED FOR OPERATIONS REDRAWN & INCORP. DCN'S 68/001/9A, 65/0187B & ECA 19/11251B
0	06/01/84	PS	MRE	RSL	RBM	WFD	ISSUED FOR FIELD VERIFICATION

REF. DRAWING NO.	REV	TITLE
9763-F-805037	11	CHEM. & VOLUME CONTROL SYS.
9763-F-805626	11	BORON RECOVERY SYS.
9763-F-805618	10	BORON RECOVERY SYS.
9763-F-805613	12	SPENT RESIN SLUICING SYS.
9763-F-805612	13	RADIOACTIVE GAS WASTE SYS.
9763-F-805611	10	RADIOACTIVE GAS WASTE SYS.
9763-F-805022	11	GAS SERVICE SYS.-NITROGEN NUCLEAR

North Atlantic Energy Service Corporation

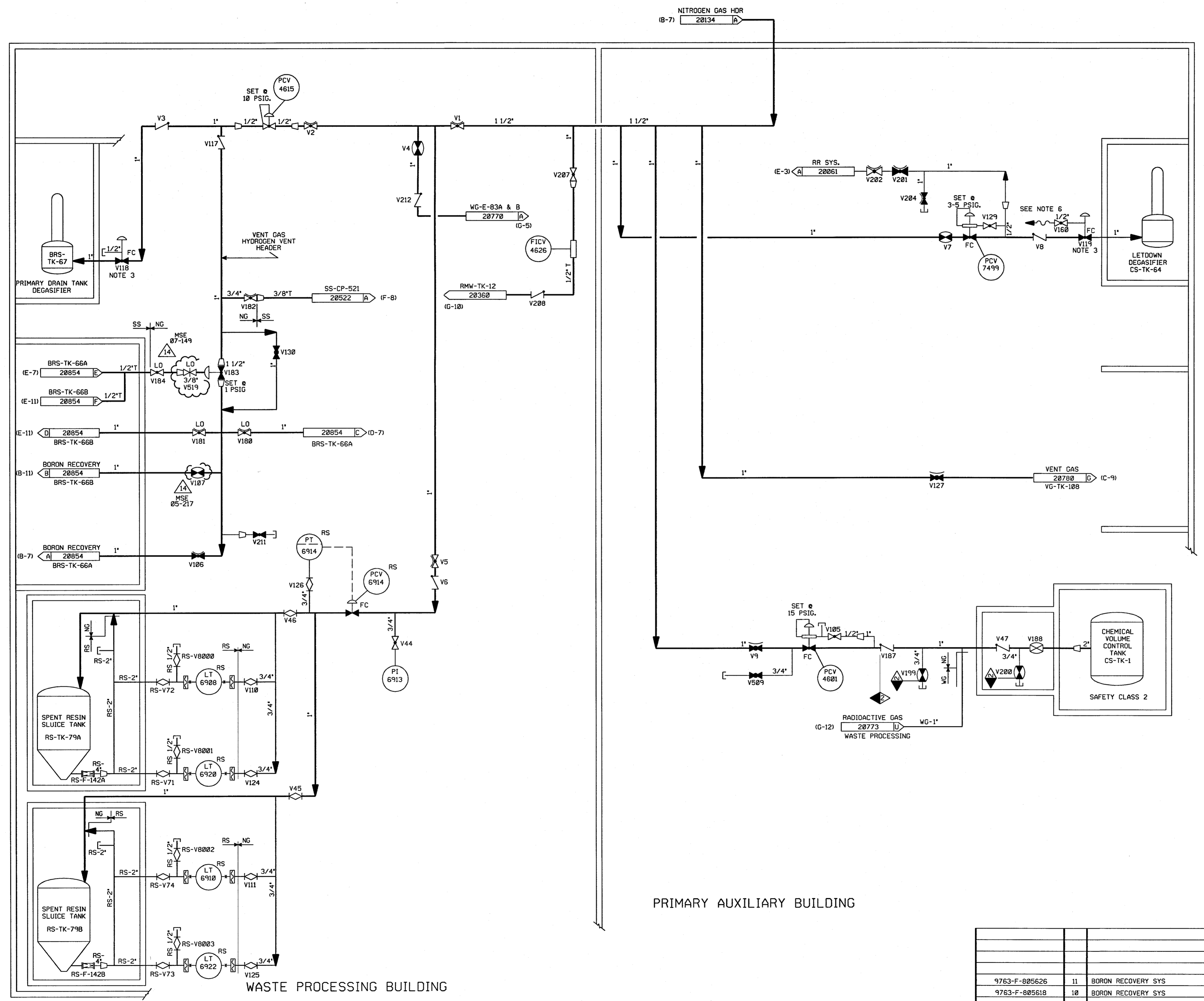
SEABROOK STATION

NITROGEN GAS OVERVIEW

PID- 1-NG-B20132

PID-1-NG-B20135

FOR P&ID REFERENCE DRAWINGS, SYMBOLS AND ABBREVIATIONS REFER TO DRAWINGS P&ID - LEGEND 1 AND P&ID - LEGEND 2



- NOTES
1. WORK THIS DRAWING WITH DRAWINGS 20132, 20134, & 20136
 2. ALL LINES, EQUIPMENT, COMPONENTS, AND INSTRUMENTS HAVE SYSTEM PREFIX NG, UNLESS NOTED OTHERWISE.
 3. VALVE TO BE INSTALLED WITH DEGASIFIER LIQUID UNDER THE VALVE SEAT
 4. ALL LINES, EQUIPMENT, COMPONENT AND INSTRUMENTS ARE SAFETY CLASS NNS, UNLESS NOTED OTHERWISE.
 5. Δ INDICATES REVISION LEVEL
 6. REFER TO DRAWING VSL-20774 FOR VALVE LEAKOFFS.

PORTIONS OF THIS DRAWING ARE
NUCLEAR SAFETY RELATED

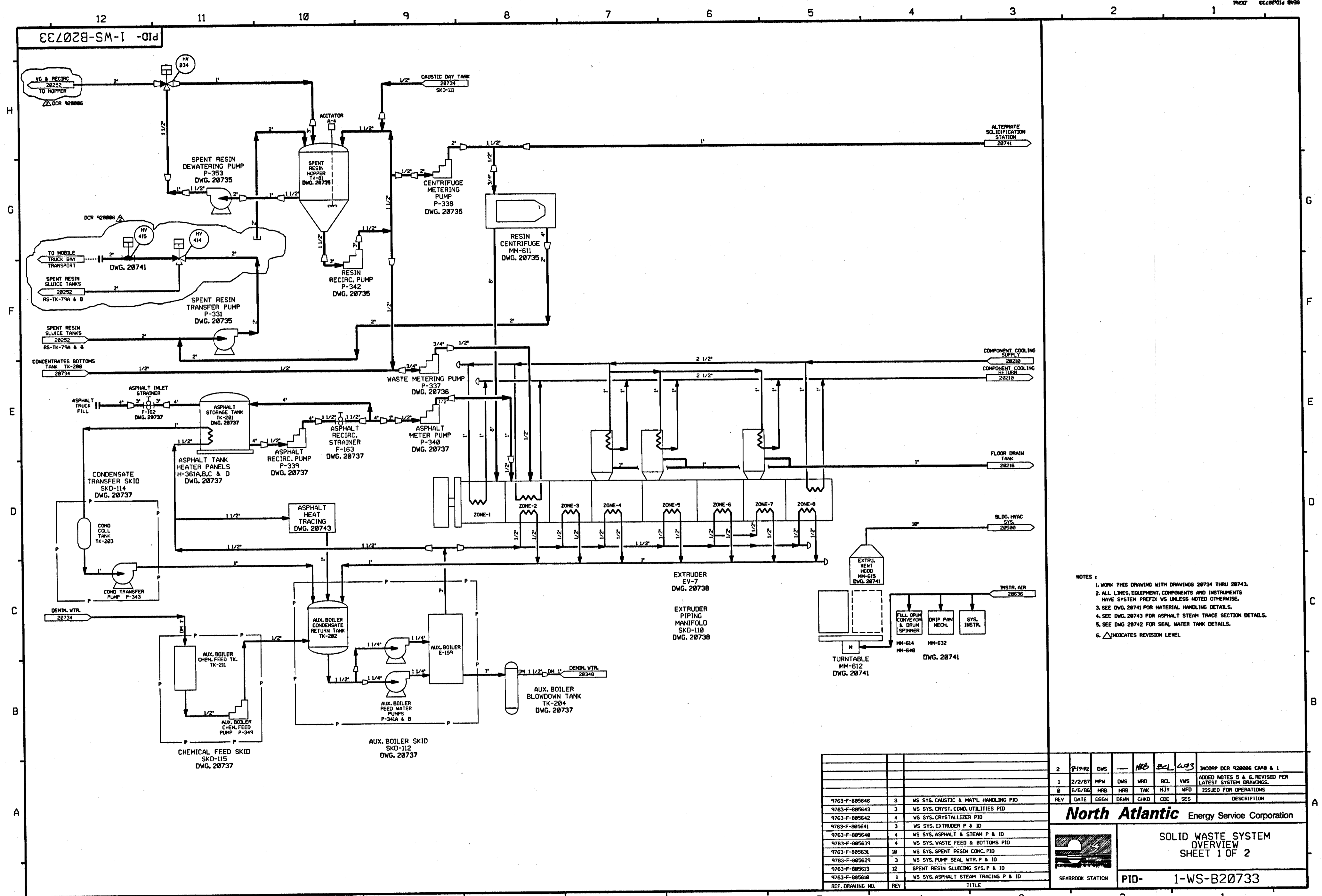
REV	DATE	DSGN	CHKD	CE	DESCRIPTION
14	9-17-07	JM	BCS	RRB	INCRP MSE 07-149 REV 00 & MSE 05-217 REV 00, 01
13	12/9/04	BCS	JM	RRB	INCRP CR 04-09401 REV. 0
12	12/23/99	BCS	DWS	JCM	INCRP MMOD 96-531 DCN#03
11	4/20/99	DWS	BCS	JCM	INCRP MMOD 980588 DCN#00
10	6/12/97	MPW	DWS	RRC	INCRP MMOD 96-531 DCN 00. ADDED OPERATOR TO NG-V7 PER FF-97064
9	6/3/94	BCL	DWS	JLD	INCRP DCR 93-23, CA-0, 1 & DCR 88-152 CA 0
8	11/2/92	MRB	BCL	DJM	INCRP DCR 88-179 CA0
7	4/22/92	MRB	BCL	JEV	INCRP MMOD 91-515 CA0
6	8/21/91	MRB	FCB	PEB	INCRP, DCR 90-7 CA03
5	5/28/89	MRB	PAL	IW	INCORPORATED DCR 87-110 CA 11 REVISED, NOTE 4, ABOVE SYSTEM BREAKS
4	8/6/87	OPM	MPW	RRC	ADDED NOTE 6, CONT. COORD AND DELETED REF. DWG.
3	10/17/87	MPW	MAP	RRC	ADDED VALVES RS-V8000-8003, NOTE 5, CAPPED CONN PER EJECTION ISO AND CONT. REF. DWG, DELETED REF. DWG'S. UPDATE PER LATEST P&ID
2	6/23/86	WES	VNK	RRC	ISSUED FOR OPERATIONS, GENERAL REVISIONS & INCRP ECA 19/2734 & DCN08/0019A
1	2/5/86	WES	JOM	WFD	ISSUED FOR FIELD VERIFICATION
0	06/01/84	PJC	RSL	WFD	DCN08/0019A

REF. DRAWING NO.	REV	TITLE
9763-F-805626	11	BORON RECOVERY SYS
9763-F-805618	10	BORON RECOVERY SYS
9763-F-805820	11	GAS SERVICE SYS NITROGEN NUCLEAR
9763-F-805613	12	SPENT RESIN SLUICING SYS
9763-F-805837	11	CHEM & VOLUME CONTROL SYS.

FPL ENERGY Seabrook Station

NITROGEN GAS DETAIL

PID- 1-NG-B20135



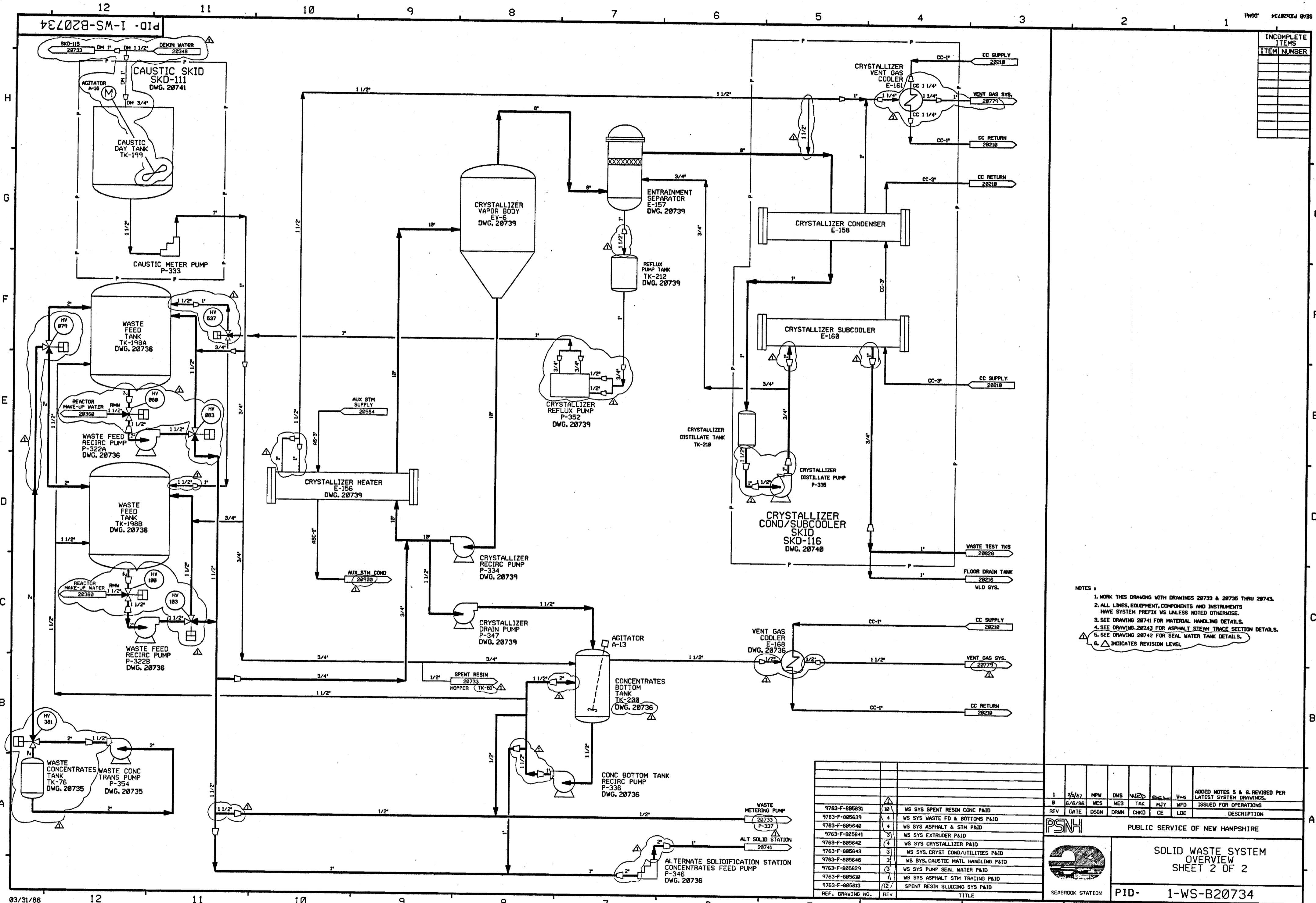
- NOTES:
1. WORK THIS DRAWING WITH DRAWINGS 20734 THRU 20743.
 2. ALL LINES, EQUIPMENT, COMPONENTS AND INSTRUMENTS HAVE SYSTEM PREFIX UNLESS NOTED OTHERWISE.
 3. SEE DWG. 20741 FOR MATERIAL HANDLING DETAILS.
 4. SEE DWG. 20743 FOR ASPHALT STEAM TRACE SECTION DETAILS.
 5. SEE DWG. 20742 FOR SEAL WATER TANK DETAILS.
 6. Δ INDICATES REVISION LEVEL.

REV	DATE	DSGN	DRWN	CHKD	CDE	SES	DESCRIPTION
2	2/19/92	DWS					INCOMP DCR 920006 CA#8 & 1
1	2/2/87	WPM	DWS	WRD	BCL	VMS	ADDED NOTES 5 & 6, REVISED PER LATEST SYSTEM DRAWINGS.
0	6/6/86	MRB	MRB	TAK	KJY	WFD	ISSUED FOR OPERATIONS
9763-F-005646	3	WS SYS. CAUSTIC & MAT'L HANDLING PID					
9763-F-005643	3	WS SYS. CRYST. COND. UTILITIES PID					
9763-F-005642	4	WS SYS. CRYSTALLIZER PID					
9763-F-005641	3	WS SYS. EXTRUDER P & ID					
9763-F-005640	4	WS SYS. ASPHALT & STEAM P & ID					
9763-F-005639	4	WS SYS. WASTE FEED & BOTTOMS PID					
9763-F-005631	10	WS SYS. SPENT RESIN CONC. PID					
9763-F-005629	3	WS SYS. PUMP SEAL VTR. P & ID					
9763-F-005613	12	SPENT RESIN SLICING SYS. P & ID					
9763-F-005610	1	WS SYS. ASPHALT STEAM TRACING P & ID					
REF. DRAWING NO.	REV	TITLE					

North Atlantic Energy Service Corporation

SOLID WASTE SYSTEM OVERVIEW SHEET 1 OF 2

SEABROOK STATION
PID- 1-WS-B20733



INCOMPLETE ITEMS	
ITEM NUMBER	

- NOTES:
1. WORK THIS DRAWING WITH DRAWINGS 20733 & 20735 THRU 20743.
 2. ALL LINES, EQUIPMENT, COMPONENTS AND INSTRUMENTS HAVE SYSTEM PREFIX VS UNLESS NOTED OTHERWISE.
 3. SEE DRAWING 20741 FOR MATERIAL HANDLING DETAILS.
 4. SEE DRAWING 20743 FOR ASPHALT STEAM TRACE SECTION DETAILS.
 5. SEE DRAWING 20742 FOR SEAL WATER TANK DETAILS.
 6. Δ INDICATES REVISION LEVEL

REF. DRAWING NO.	REV	TITLE
9783-F-805631	10	WS SYS SPENT RESIN CONC P&ID
9783-F-805639	4	WS SYS WASTE FD & BOTTOMS P&ID
9783-F-805640	4	WS SYS ASPHALT & STM P&ID
9783-F-805641	3	WS SYS EXTRUDER P&ID
9783-F-805642	4	WS SYS CRYSTALLIZER P&ID
9783-F-805643	3	WS SYS.CRYST COND/UTILITIES P&ID
9783-F-805646	3	WS SYS.CAUSTIC MATL HANDLING P&ID
9783-F-805629	3	WS SYS PUMP SEAL WATER P&ID
9783-F-805610	1	WS SYS ASPHALT STM TRACING P&ID
9783-F-805613	12	SPENT RESIN SLICING SYS P&ID

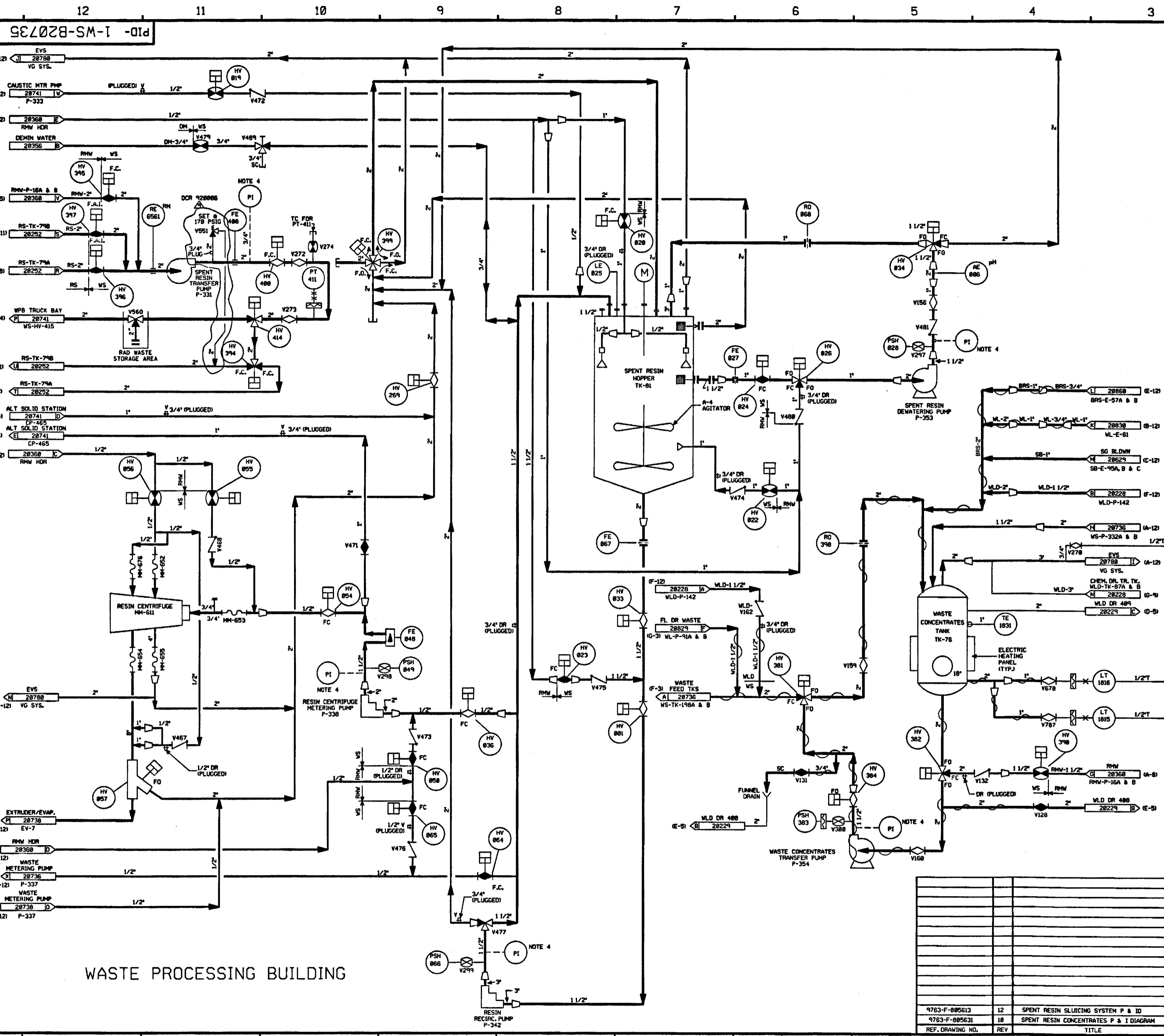
1	3/8/87	MPW	DWS	WJZ	DEL	WJS	ADDED NOTES 5 & 6. REVISED PER LATEST SYSTEM DRAWINGS.
B	6/8/86	WES	WES	TAK	MYJ	WFD	ISSUED FOR OPERATIONS
REV	DATE	DSGN	DRWN	CHKD	CE	LDE	DESCRIPTION

PSNH PUBLIC SERVICE OF NEW HAMPSHIRE

SEABROOK STATION

SOLID WASTE SYSTEM OVERVIEW SHEET 2 OF 2

PID- 1-WS-B20734



FOR PAID REFERENCE DRAWINGS, SYMBOLS AND ABBREVIATIONS
REFER TO DRAWINGS PAID - LEGEND 1 AND PAID - LEGEND 2

- NOTES:
1. WORK THIS DWG. WITH DWGS. 28733, 28734 & 28736 THRU 28743.
 2. ALL LINES, EQUIPMENT, COMPONENTS AND INSTRUMENTS HAVE SYSTEM PREFIX WS UNLESS NOTED.
 3. ALL LINES, EQUIPMENT, COMPONENTS AND INSTRUMENTS ARE SAFETY CLASS MNS UNLESS NOTED.
 4. 3/4" TEST TAP FOR START-UP, PI BY TEST START-UP.
 5. ALL WS VALVES & INSTRUMENTS WITH 3 DIGIT NUMBERS ARE PRECEDED BY 18....
 6. ALL 2 POSITION AUTOMATIC VALVES FAIL CLOSED UNLESS OTHERWISE NOTED.
 7. HV INDICATES REMOTELY CONTROLLED VALVES.
 8. SEE PAID 28742 FOR PUMP SEAL WATER DIAGRAM.
 9. Δ INDICATES REVISION LEVEL.

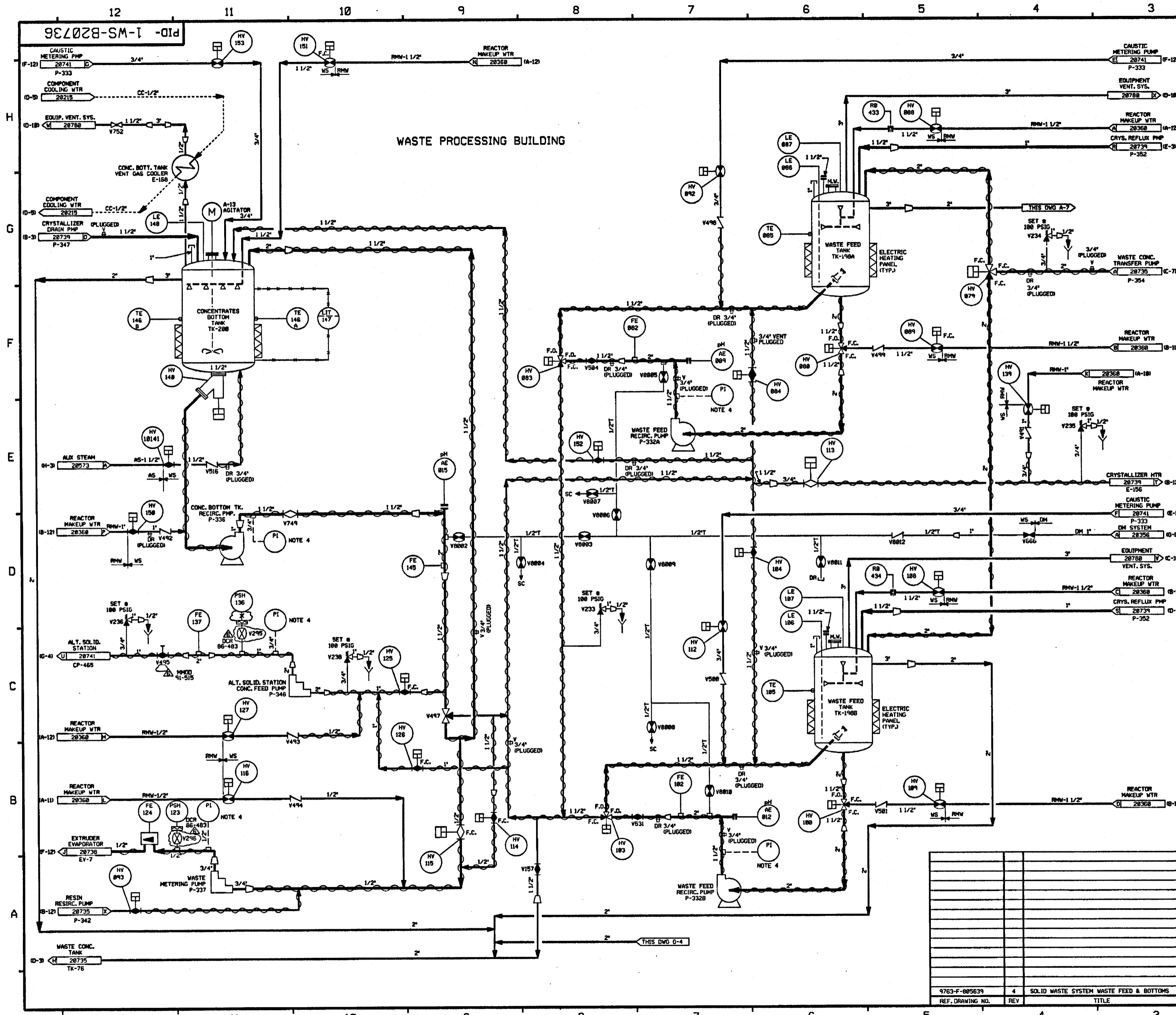
REV	DATE	DSGN	DRWN	CHKD	CODE	SES	DESCRIPTION
9	7/28/98	DVS	---	MPW	---	---	INCORP DCR 928086 CA#13
8	8/19/92	DVS	---	MRB	BCL	WFZ	INCORP DCR 928086 CA#8 & 9
7	2/13/92	MRB	---	BCL	MPW	IV	INCORP DCR 86-483 CA#8 AND MMCD 91-515 CA#8
6	10/31/90	MRB	---	HP	APL	IV	INCORP DCR 87-348 CA#8
5	10/23/90	MRB	JM	RMC	APL	WFD	INCORP DCR 86-508 CA#2
4	7/13/90	MRB	RMC	JM	APL	IV	INCORP MMCD 90-516 CA#8 & 90-533 CA#8
3	1/17/87	MPW	MRB	BCL	DVS	WFD	REVISED NOTE 3 ADDED CAPILLARY SYMBOLS TO PI-411 AND 3" MLD LINE INCORP DCR 86-682.
2	10/28/86	JIM	OPD	WRD	BCL	RRR	INCORP ECA 89/1183830.
1	11/4/86	PAL	OPD	WRD	BCL	RRR	ADDED NOTE 4, FAIL POSITION ON VLV'S, PER UEAC PAID, ADDED REF DESIG TO REF FLAGS UPDATED REV OF REF BLOCK, INCORP ECA 89/82837A, UPDATE PER LATEST PAID.
0	6/6/86	SKN	SKN	TAK	HJY	WFD	ISSUED FOR OPERATIONS

North Atlantic Energy Service Corporation

SOLID WASTE SYSTEM
SPENT RESIN CONCENTRATES
DETAILS

PID- 1-WS-B20735

REF. DRAWING NO.	REV	TITLE
9763-F-895613	12	SPENT RESIN SLICING SYSTEM P & ID
9763-F-895631	18	SPENT RESIN CONCENTRATES P & I DIAGRAM



FOR PAID REFERENCE DRAWINGS, SYMBOLS AND ABBREVIATIONS REFER TO DRAWINGS PAID - LEGEND 1 AND PAID - LEGEND 2

- NOTES:
1. WORK THIS DWG. WITH DWGS. 28733, 28734, 28735 & 28737 THRU 28743.
 2. ALL LINES, EQUIPMENT, COMPONENTS AND INSTRUMENTS HAVE SYSTEM PREFIX UNLESS NOTED.
 3. ALL LINES, EQUIPMENT, COMPONENTS AND INSTRUMENTS ARE SAFETY CLASS UNLESS NOTED OTHERWISE.
 4. 3/4" TEST TAP FOR START-UP, P.I. BY TEST START-UP.
 5. ALL MS VALVES & INSTRUMENTS WITH 3 DIGIT NUMBERS ARE PRECEDED BY 18-.
 6. ALL 2 POSITION AUTOMATIC VALVES FAIL CLOSED UNLESS NOTED OTHERWISE.
 7. HV INDICATES ON-OFF VALVES REMOTELY CONTROLLED.
 8. SEE DWG. 28742 FOR PUMP SEAL WATER DIAGRAM.
 9. Δ INDICATES REVISION LEVEL.
 10. DELETED.

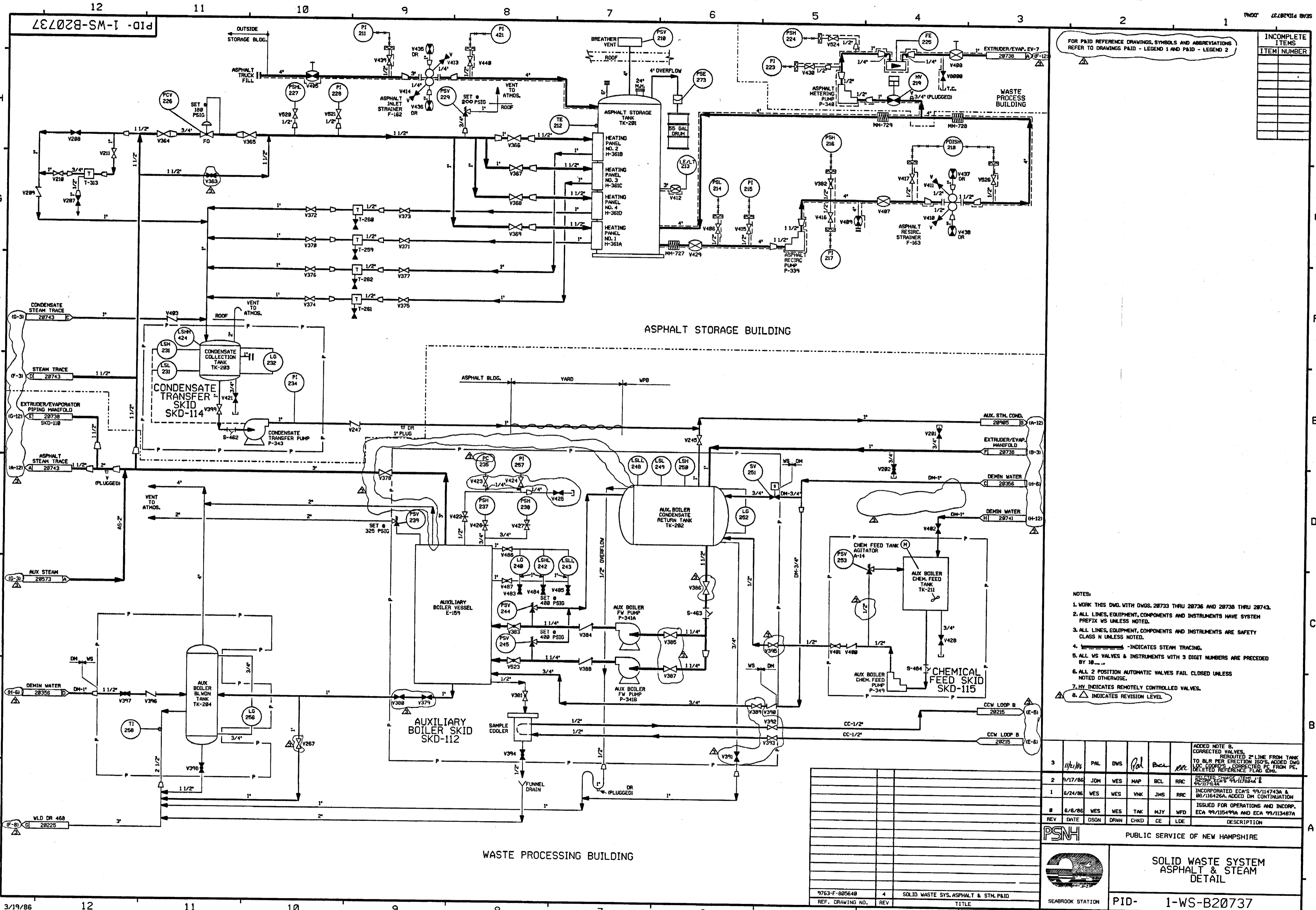
REV	DATE	DSGN	DRWN	CHKD	CE	LDE	DESCRIPTION
6	11/2/92	MRB	---	EC-L	DAS	JEB	INCORP. DCR 86-463 CAB3 AND RMWD 81-515 CAB
5	10/31/92	MRB	FCB	RMC	APL	IM	INCORP. DCR 87-348 CAB
4	2/21/92	MRB	FCB	JM	APL	IM	REVISED TO ENHANCE AND CLARIFY 3-WAY VALVE POSITION
3	2/14/92	MRB	FCB	APL	WCL	IM	INCORP. RMWD 89-608 CA 8 REVISED VALVE SYMBOL PER VALVE LIST NOTE 3 PER ANSI B31.1-1977 SEC 137.1.2E DELETED CHANGE ITEM 1 PER 87-05518. REPLACED NOTES 4 & 10-REINFORC. ECA 89/115998A ADDED CONT. REF. LOC'S, 3/4" PLUGGED VENT PER ERECTION ISS. TO VALVES HV-889, HV-125, HV-126, HV-114, HV-1158R LEAC PAID, INCORP. ECA 89/112895B & FC NO 1-48888. REVISED INSTR. NO PER LATEST LEAC PAID. DELETED VALVES & PIPING DUPLICATED ON DWS 28215.
2	11/6/86	MPV	DWS	PAL	BCI	RRC	INCORPORATED ECA 89/115998A & ECA 88/08037B
1	6/23/86	WES	WES	YMK	JMCS	JWH	ISSUED FOR OPERATIONS
8	6/6/86	WES	WES	TAK	MJY	JWH	ISSUED FOR OPERATIONS

PSNH PUBLIC SERVICE OF NEW HAMPSHIRE

SEABROOK STATION

SOLID WASTE SYSTEM WASTE FEED & BOTTOMS DETAILS

PID- 1-WS-B20736



FOR P&ID REFERENCE DRAWINGS, SYMBOLS AND ABBREVIATIONS REFER TO DRAWINGS PAID - LEGEND 1 AND PAID - LEGEND 2

INCOMPLETE ITEMS	
ITEM NUMBER	DESCRIPTION

- NOTES:
1. WORK THIS DWG. WITH DWGS. 28733 THRU 28736 AND 28738 THRU 28743.
 2. ALL LINES, EQUIPMENT, COMPONENTS AND INSTRUMENTS HAVE SYSTEM PREFIX WS UNLESS NOTED.
 3. ALL LINES, EQUIPMENT, COMPONENTS AND INSTRUMENTS ARE SAFETY CLASS N UNLESS NOTED.
 4. - INDICATES STEAM TRACING.
 5. ALL WS VALVES & INSTRUMENTS WITH 3 DIGIT NUMBERS ARE PRECEDED BY 10...
 6. ALL 2 POSITION AUTOMATIC VALVES FAIL CLOSED UNLESS NOTED OTHERWISE.
 7. HV INDICATES REMOTELY CONTROLLED VALVES.
 8. INDICATES REVISION LEVEL.

REV	DATE	DSGN	DRWN	CHKD	CE	LDE	DESCRIPTION
3	11/1/86	PAL	DWS	Pal	BCL	RRC	ADDED NOTE 8, CORRECTED VALVES, REROUTED 2" LINE FROM TANK TO CLR PER ERECTION ISD'S. ADDED DWG TO CLR TOWARDS CORRECTED PC FROM PE. DELETED REFERENCE FLAG DWG.
2	9/17/86	JDM	WES	MAP	BCL	RRC	DELETED 3" PUMP, ITEM # 2 85/117913A
1	6/24/86	WES	WVK	JMS	RRC		INCORPORATED ECA'S 99/114743A & 99/116425A. ADDED DM CONTINUATION
#	6/6/86	WES	TAK	MJY	WFD		ISSUED FOR OPERATIONS AND INCORP. ECA 99/115499A AND ECA 99/113487A

PSNH PUBLIC SERVICE OF NEW HAMPSHIRE

SOLID WASTE SYSTEM ASPHALT & STEAM DETAIL

SEABROOK STATION PID- 1-WS-B20737

REF. DRAWING NO.	REV	TITLE
9763-F-805648	4	SOLID WASTE SYS. ASPHALT & STM. P&ID

3/19/86

12

11

10

9

8

7

6

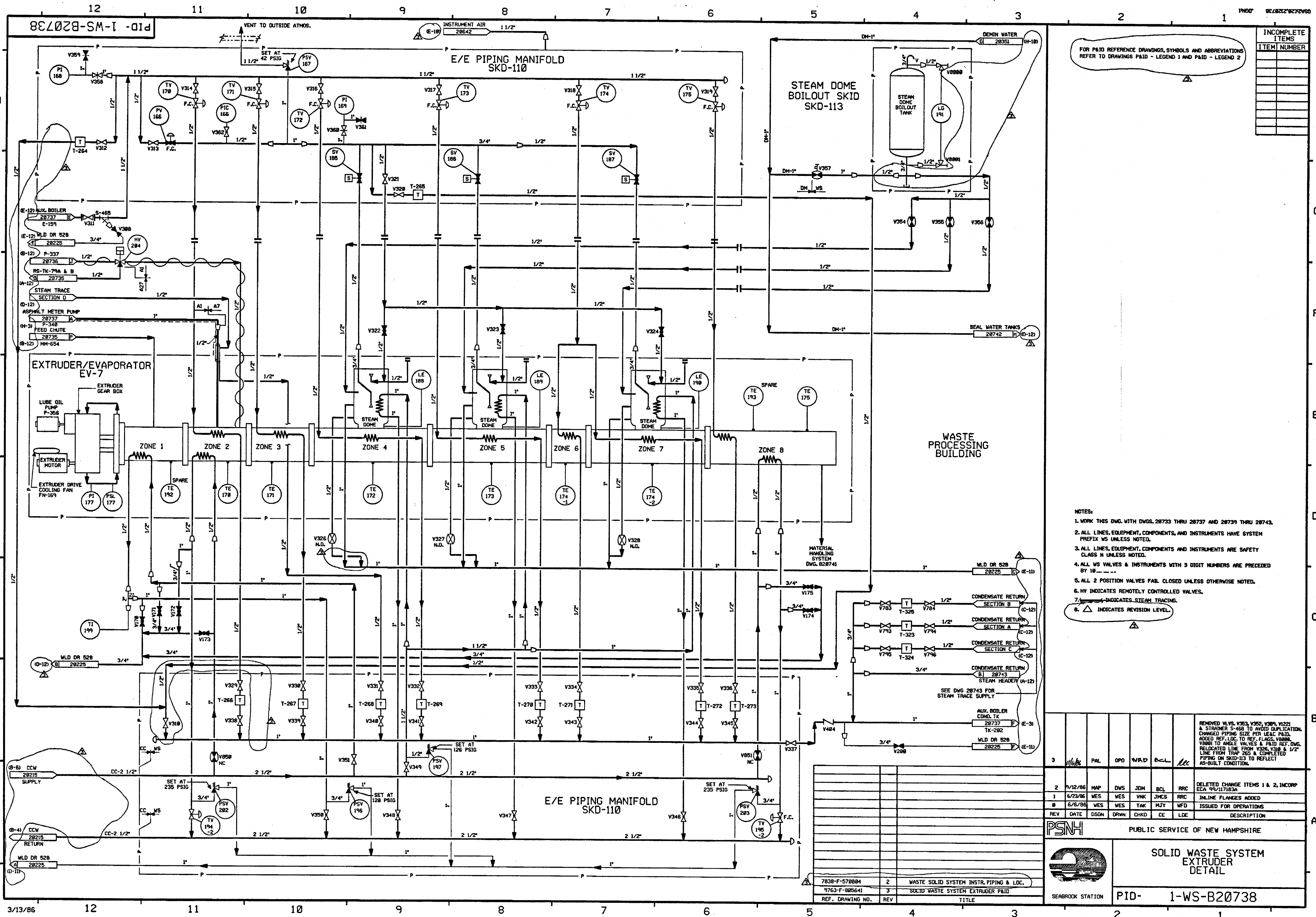
5

4

3

2

1



FOR P&ID REFERENCE DRAWINGS, SYMBOLS AND ABBREVIATIONS REFER TO DRAWINGS P&ID - LEGEND 1 AND P&ID - LEGEND 2

INCOMPLETE ITEMS	ITEM NUMBER

- NOTES:
1. WORK THIS DWG. WITH DWGS. 28733 THRU 28737 AND 28739 THRU 28743.
 2. ALL LINES, EQUIPMENT, COMPONENTS, AND INSTRUMENTS HAVE SYSTEM PREFIX WS UNLESS NOTED.
 3. ALL LINES, EQUIPMENT, COMPONENTS AND INSTRUMENTS ARE SAFETY CLASS N UNLESS NOTED.
 4. ALL WS VALVES & INSTRUMENTS WITH 3 DIGIT NUMBERS ARE PRECEDED BY 10 - - -
 5. ALL 2 POSITION VALVES FAIL CLOSED UNLESS OTHERWISE NOTED.
 6. HV INDICATES REMOTELY CONTROLLED VALVES.
 7. INDICATES STEAM TRACING.
 8. INDICATES REVISION LEVEL.

REV	DATE	DSGN	DRWN	CHKD	CE	LDE	DESCRIPTION
3	11/16/86	PAL	OPD	WFD	BCL	McC	REMOVED VALVES V363, V362, V309, V1221 & STRAINER S-468 TO AVOID DUPLICATION. CHANGED PIPING SIZE PER LEAD P&ID. ADDED REF. LOC. TO REF. FLANGES V8000, V8001 TO ANGLE VALVES & PAID REF. DWG. RELOCATED LINE FROM TRAP 265 & COMPLETED PIPING ON SKID-113 TO REFLECT AS-BUILT CONDITION.
2	9/12/86	MAR	DWS	JDM	BCL	RRC	DELETED CHANGE ITEMS 1 & 2, INCORP ECA 99/117183A
1	6/23/86	WES	WES	WVK	JHCS	RRC	INLINE FLANGES ADDED
0	6/6/86	WES	WES	TAK	MJY	WFD	ISSUED FOR OPERATIONS

PSNH PUBLIC SERVICE OF NEW HAMPSHIRE

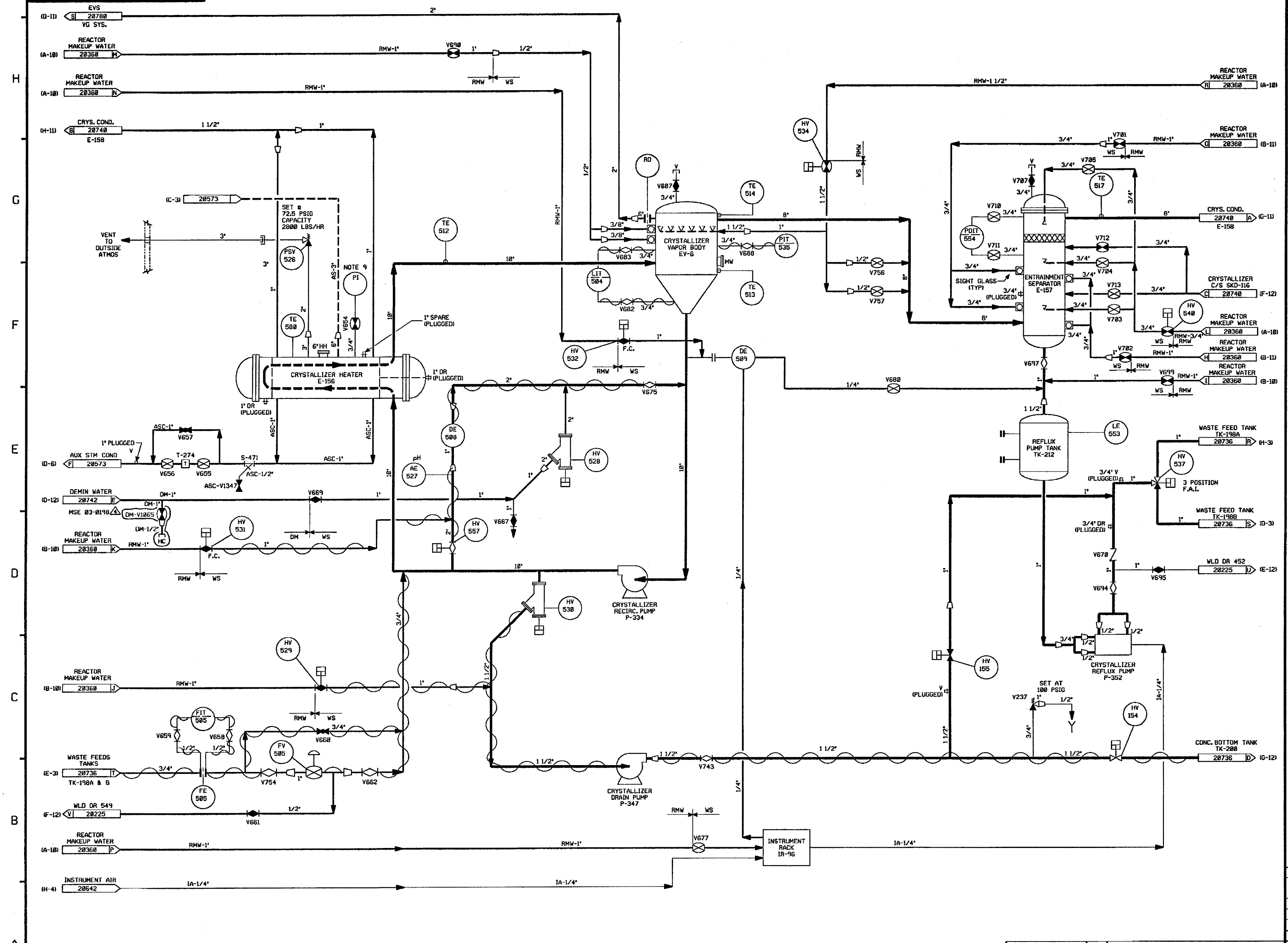
SOLID WASTE SYSTEM EXTRUDER DETAIL

SEABROOK STATION PID- 1-WS-B20738

7838-F-570884	2	WASTE SOLID SYSTEM INSTR. PIPING & LOC.
9763-F-805641	3	SOLID WASTE SYSTEM EXTRUDER P&ID
REF. DRAWING NO.	REV	TITLE

6702Z-1-MS-B20739

FOR PAID REFERENCE DRAWINGS, SYMBOLS AND ABBREVIATIONS REFER TO DRAWINGS PAID - LEGEND 1 AND PAID - LEGEND 2



- NOTES:
1. WORK THIS DWG. WITH DWGS. 20733 THRU 20738 & 20740 THRU 20743.
 2. ALL LINES, EQUIPMENT, COMPONENTS AND INSTRUMENTS HAVE SYSTEM PREFIX WS UNLESS NOTED.
 3. ALL LINES, EQUIPMENT, COMPONENTS AND INSTRUMENTS ARE SAFETY CLASS N UNLESS NOTED.
 4. INSTRUMENT VALVES V602 THRU V607 & V620 THRU V627 ARE LOCATED ON INSTRUMENT RACK IR-96.
 5. ALL WS VALVES & INSTRUMENTS WITH 3 DIGIT NUMBERS ARE PRECEDED BY 10....
 6. ALL 2 POSITION AUTOMATIC VALVES FAIL CLOSED UNLESS NOTED OTHERWISE.
 7. HV INDICATES REMOTELY CONTROLLED VALVES.
 8. SEE DWG. 20742 FOR PUMP SEAL WATER DIAGRAM.
 9. 3/4" TEST TAP FOR START-UP, PI BY TEST START-UP.
 10. Δ INDICATES REVISION LEVEL.

REV	DATE	DSGN	CHKD	CE	DESCRIPTION
4	9/16/09	JM	BES	JAM	INCDRP MSE 03-0190 REV 00
3	11/4/86	MPW	PAL	RRC	ADDED CONT. REF. LOCATIONS NOTE 10, PIPE SIZE TO HV-528, TEST TAP VALVES (V703 & V704) DELTA TO PUMP AND VALVES DUPLICATED ON DWG. 20573.
2	9/2/86	JDM	MAP	RRC	INCDRP ECA 94/117804A
1	8/24/86	WES	PAL	RRC	ADDED REDUCERS.
0	8/6/86	WES	TAK	WFD	ISSUED FOR OPERATIONS AND INCDRP ECA 95/1137300

FPL ENERGY Seabrook Station



SOLID WASTE SYSTEM
CRYSTALLIZER
DETAIL

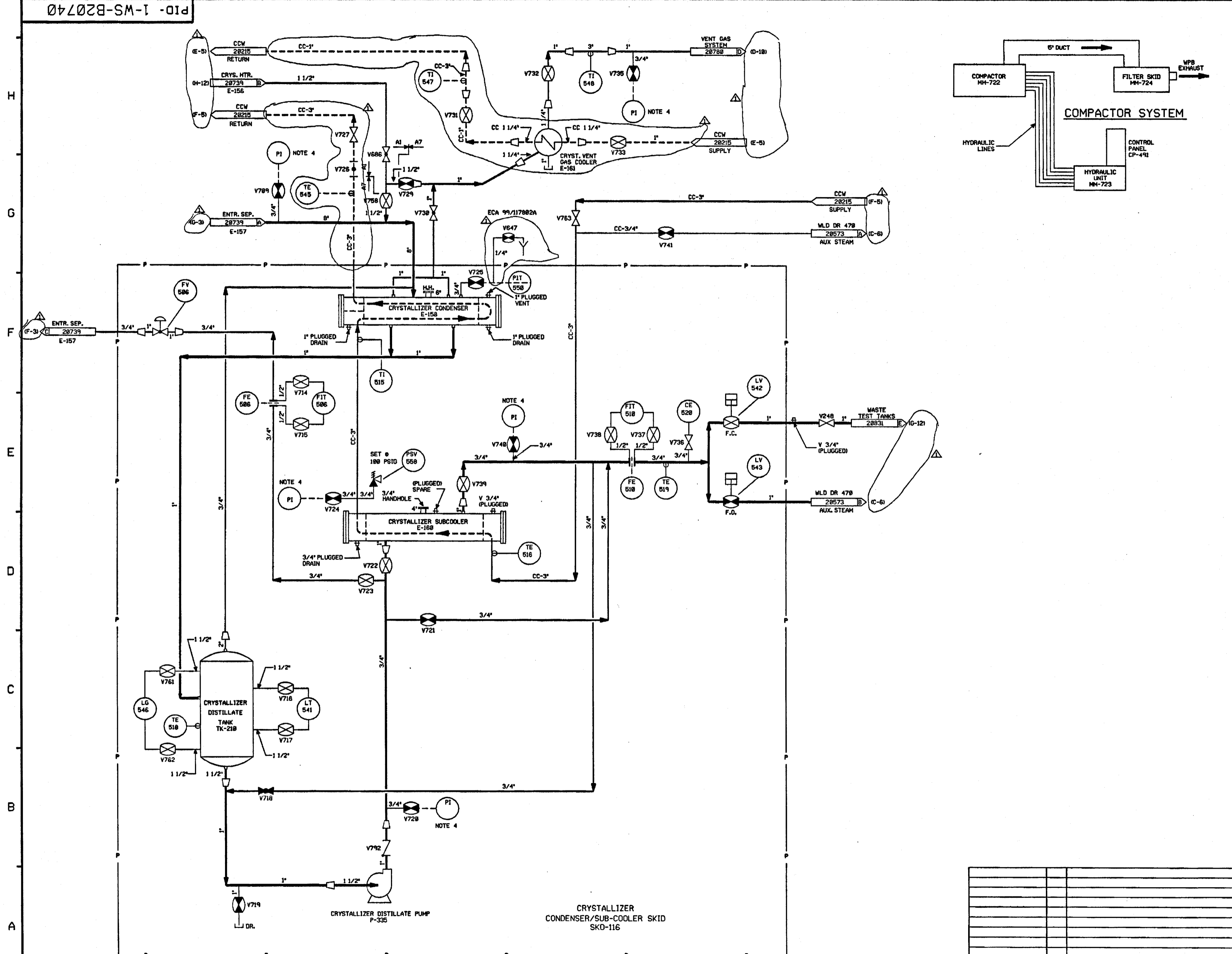
REF. DRAWING NO.	REV	TITLE
9763-F-805642	4	SOLID WASTE SYSTEM CRYSTALLIZER P&ID

PID- 1-WS-B20739

PID-1-WS-B20740

H
G
F
E
D
C
B
A

12 11 10 9 8 7 6 5 4 3 2 1



FOR PAID REFERENCE DRAWINGS, SYMBOLS AND ABBREVIATIONS REFER TO DRAWINGS PAID - LEGEND 1 AND PAID - LEGEND 2

INCOMPLETE ITEMS	ITEM NUMBER

- NOTES:
- 1. WORK THIS DWG. WITH DWGS. 20733 THRU 20739 & 20741 THRU 20743.
 - 2. ALL LINES, EQUIPMENT, COMPONENTS AND INSTRUMENTS HAVE SYSTEM PREFIX WS UNLESS NOTED.
 - 3. ALL LINES, EQUIPMENT, COMPONENTS AND INSTRUMENTS ARE SAFETY CLASS N UNLESS NOTED.
 - 4. 3/4" TEST TAP FOR START-UP, PI BY TEST START-UP.
 - 5. ALL WS VALVES & INSTRUMENTS WITH 3 DIGIT NUMBERS ARE PRECEDED BY 10.
 - 6. ALL 2 POSITION AUTOMATIC VALVES FAIL CLOSED UNLESS NOTED OTHERWISE.
 - 7. HV INDICATES REMOTELY CONTROLLED VALVES.
 - 8. Δ INDICATES REVISION LEVEL.

REV.	DATE	DSGN	DRWN	CHKD	CE	LDE	DESCRIPTION
1	1/16/86	MPW	OPD	WRD	ECL	MC	INCORP. ECA 99/117802A, ADDED NOTE 8 & CONT. REF. LOCATIONS.
2	5/6/86	SKN	SKN	TAK	MJY	WFD	ISSUED FOR OPERATIONS
3							
4							
5							
6							
7							
8							
9							
10							
11							
12							

PSNH
PUBLIC SERVICE OF NEW HAMPSHIRE

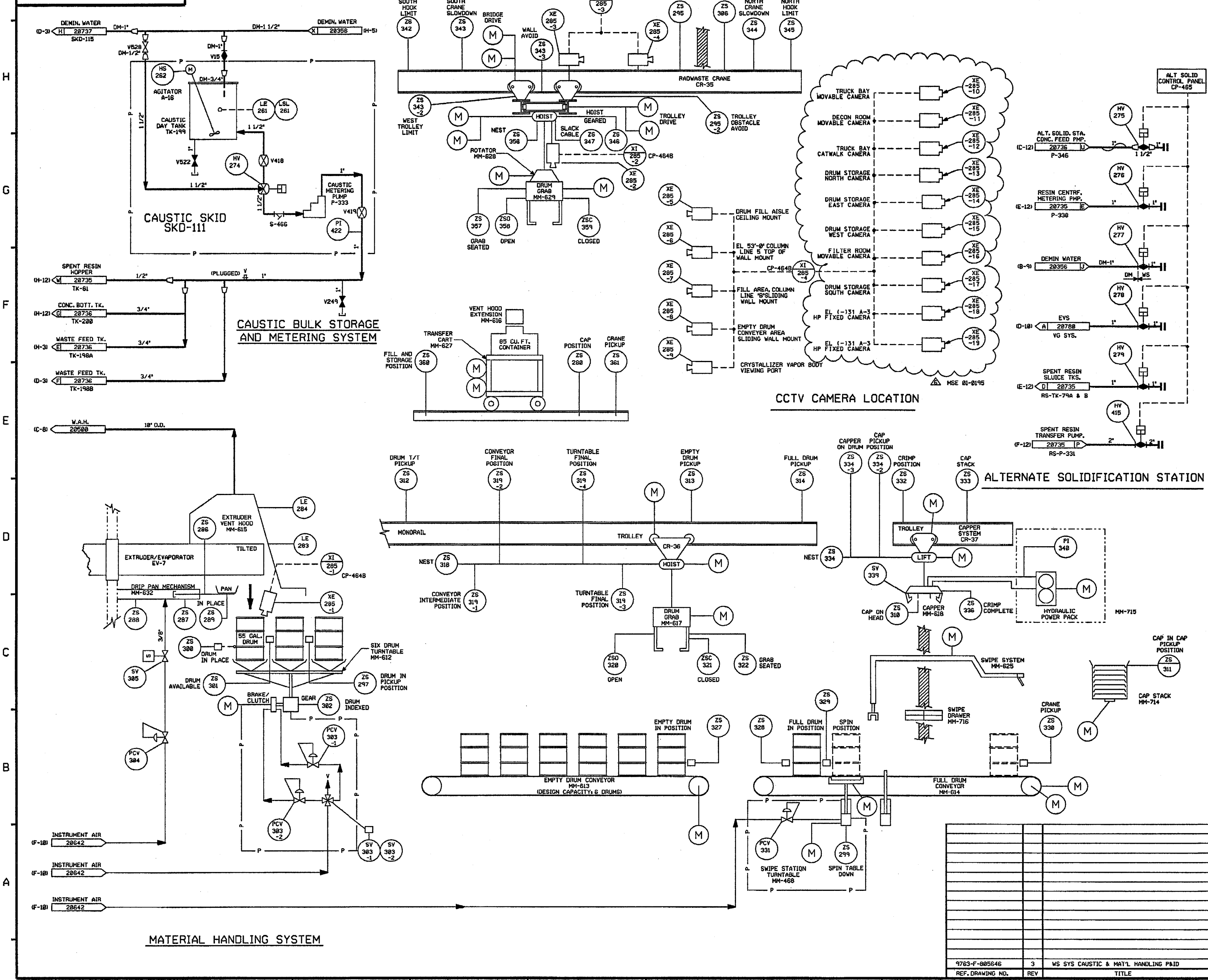
SEABROOK STATION

SOLID WASTE SYSTEM
CRYSTALLIZER CONDENSER UTILITIES
DETAIL

PID-1-WS-B20740

PID-1-WS-B20741

FOR P&ID REFERENCE DRAWINGS, SYMBOLS AND ABBREVIATIONS REFER TO DRAWINGS P&ID - LEGEND 1 AND P&ID - LEGEND 2 ECA 99/117882A



- NOTES:
1. WORK THIS DNG. WITH DWS. 28733 THRU 28740, 28742 & 28743.
 2. ALL LINES, EQUIPMENT, COMPONENTS AND INSTRUMENTS HAVE SYSTEM PREFIX WS UNLESS NOTED.
 3. ALL LINES, EQUIPMENT, COMPONENTS AND INSTRUMENTS ARE SAFETY CLASS N UNLESS NOTED.
 4. ALL WS VALVES & INSTRUMENTS WITH 3 DIGIT NUMBERS ARE PRECEDED BY 10.....
 5. ALL 2 POSITION AUTOMATIC VALVES FAIL CLOSED UNLESS NOTED OTHERWISE.
 6. HV INDICATES REMOTELY CONTROLLED VALVES.
 7. - INDICATES CC TV CAMERA.
 8. INDICATES REVISION LEVEL.

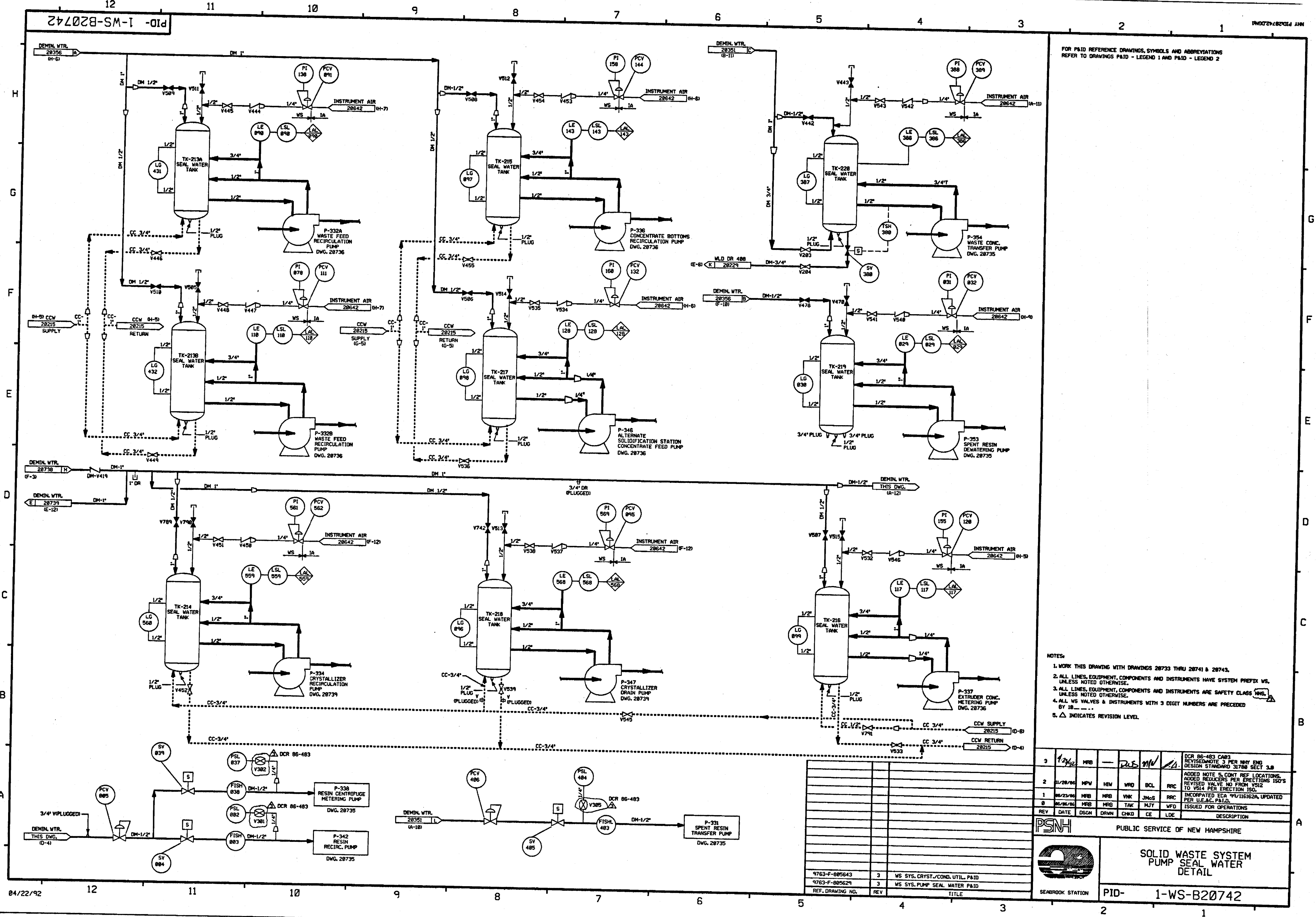
REV	DATE	DSGN	DRWN	CHKD	CDE	SES	DESCRIPTION
6	11/20/01	BCS					INCCORP MSE 01-0195 REV. 08, 01
5	8-14-02	DWS					INCCORP DCR 920826 CAP'S
4	12/24/98	MPW	TAK				INCCORP DCR 938
3	11/2/96	MPW	DPD	WRD	BCL	RRC	DELETED FILL CONN. ON TANK TK-199 PIPING TO BE INSTALLED LATER. ADDED ECA TO INCOMP. ITEMS LIST, NOTE 8; REF. CONT. LOCS. REVISED LOCATION OF PI-422 PER PP-56477. ADDED SV-305 PER ASSULT COND. ADDED SV-309 PER LATEST UEAC P&ID.
2	9/2/86	JDM	DWS	MAP	BCL	RRC	INCCORP ECA 99/117884A & 98/118812A
1	5/23/86	YES	YES	VNK	JHCS	RRC	CHANGE ITEMS & RESOLVED PER LATEST UEAC P&ID
0	5/8/86	YES	YES	TAK			ISSUED FOR OPERATIONS

North Atlantic Energy Service Corporation

SOLID WASTE SYSTEM
CAUSTIC & MATERIAL HANDLING
DETAIL

SEABROOK STATION PID- 1-WS-B20741

9763-F-085646	3	WS SYS CAUSTIC & MAT'L HANDLING P&ID
REF. DRAWING NO.	REV	TITLE



FOR P&ID REFERENCE DRAWINGS, SYMBOLS AND ABBREVIATIONS REFER TO DRAWINGS PAID - LEGEND 1 AND P&ID - LEGEND 2

- NOTES:
1. WORK THIS DRAWING WITH DRAWINGS 20733 THRU 20741 & 20743.
 2. ALL LINES, EQUIPMENT, COMPONENTS AND INSTRUMENTS HAVE SYSTEM PREFIX WS, UNLESS NOTED OTHERWISE.
 3. ALL LINES, EQUIPMENT, COMPONENTS AND INSTRUMENTS ARE SAFETY CLASS WNS, UNLESS NOTED OTHERWISE.
 4. ALL WS VALVES & INSTRUMENTS WITH 3 DIGIT NUMBERS ARE PRECEDED BY 10.....
 5. Δ INDICATES REVISION LEVEL.

REV	DATE	DSGN	DRWN	CHKD	CE	LDE	DESCRIPTION
3	12/92	MRB		DRS	ML		DCR 86-483 CAB3 REVISION NOTE 3 PER NEW ENG DESIGN STANDARD 31786 SECT 3.8
2	11/28/96	MPV	HW	WRD	BCL	RRC	ADDED NOTE 5, CONT REF LOCATIONS. ADDED REDUCERS PER ERECTIONS ISO'S REVISED VALVE NO FROM V512 TO V514 PER ERECTION ISO.
1	06/23/96	MRB	MRB	VNK	JMcS	RRC	INCORPORATED ECA 99/116162A, UPDATED PER U.E.C. P&ID.
0	05/06/96	MRB	MRB	TAK	MJY	WFD	ISSUED FOR OPERATIONS

PSNH PUBLIC SERVICE OF NEW HAMPSHIRE

SEABROOK STATION

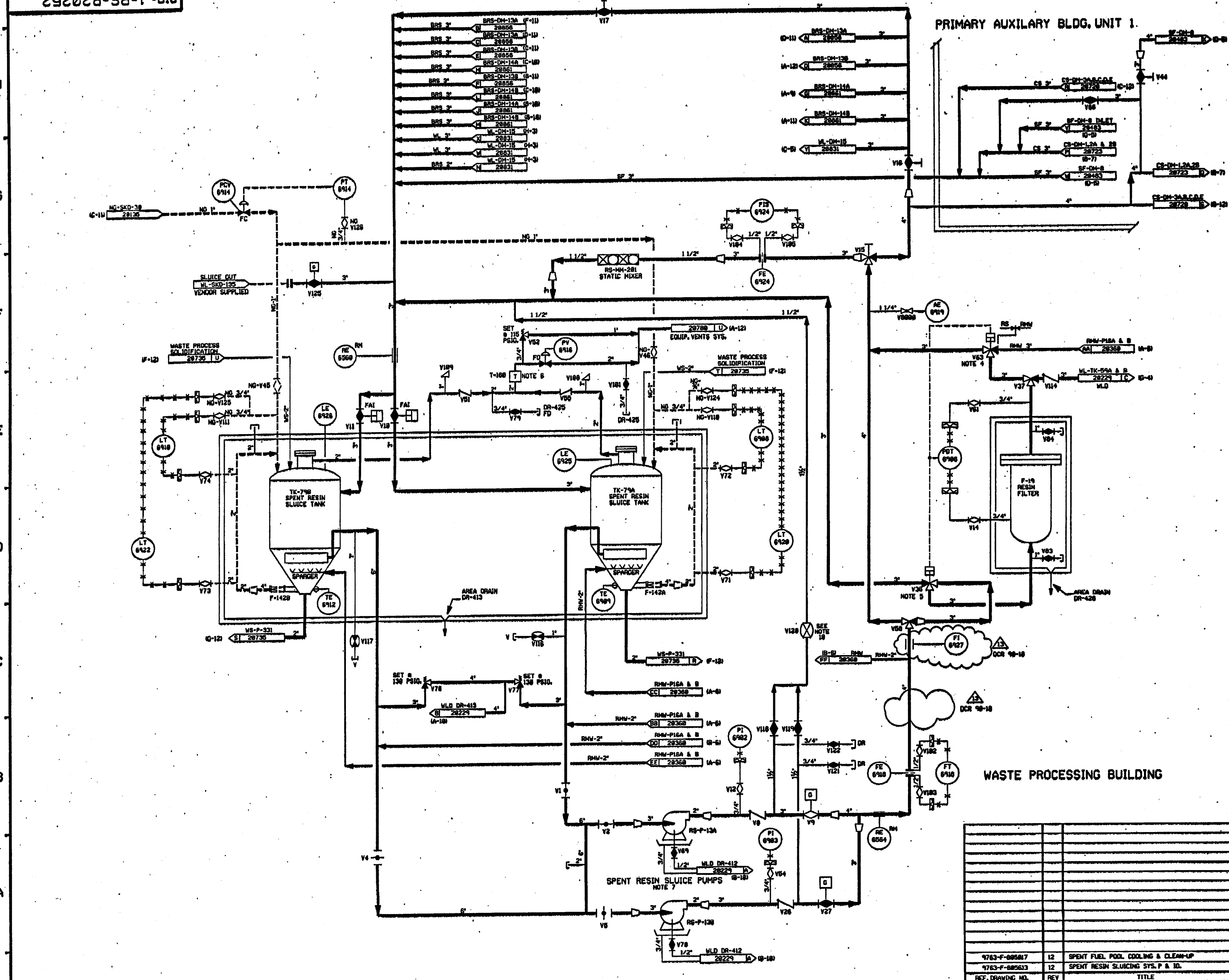
SOLID WASTE SYSTEM PUMP SEAL WATER DETAIL

PID-1-WS-B20742

REF. DRAWING NO.	REV	TITLE
9763-F-805643	3	WS SYS. CRYST./COND. UTIL. P&ID
9763-F-805629	3	WS SYS. PUMP SEAL WATER P&ID

PID-1-RS-B20252

FOR PAID REFERENCE DRAWING SYMBOLS AND ABBREVIATIONS REFER TO DRAWING PAID - 100040 (REV. PAID - 100040)



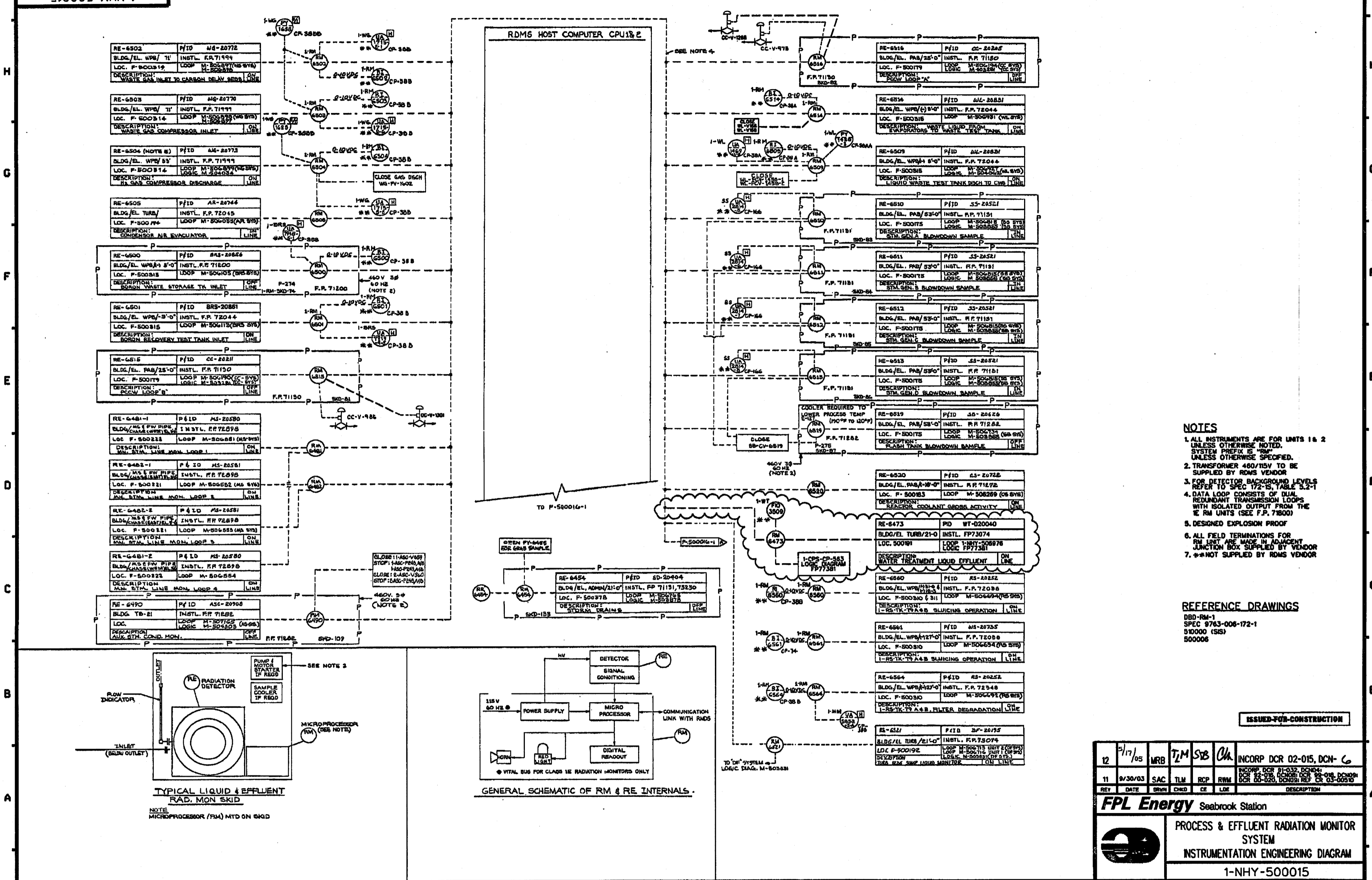
- NOTES:
1. ALL LINES, COMPONENTS, EQUIPMENT & INSTRUMENTS HAVE SYSTEM PREFIX AS UNLESS NOTED OTHERWISE.
 2. ALL LINES, EQUIPMENT, COMPONENTS AND INSTRUMENTS ARE SAFETY CLASS RS.
 3. THE RS IS A ONE DRAINING SYSTEM AND AN OVERVIEW IS NOT REQUIRED.
 4. VALVE V53 FAILS WITH FLOW TO RS-7-19.
 5. VALVE V56 FAILS WITH FLOW TO AE-979.
 6. THE TRAP IS EQUIPPED WITH 1/2" PIPE PLUS TOP & BOTTOM FOR VENT/DRAIN.
 7. FOR WATER SUPPLY TO PUMP DOUBLE MECHANICAL SEALS SEE DRAWING 28235.
 8. DELETED.
 9. Δ INDICATES REVISION LEVEL.
 10. THIS VALVE IS THROTTLED.

NO.	DATE	BY	CHKD	REV	DESCRIPTION
13	1-7-04	BCS	JIM	ZJB	RE-INCORP DCR 10-18 DCR 10-18 DCR 10-18
12	7/28/07	MPW	BCS	VMS	INCORP 1000 10-18 DCR 10-18
11	12/13/04	DMS	BCL	VMS	INCORP DCR 10-18 CAP4 AND 1000 10-18 DCR 10-18
10	8/17/03	MRS	BCL	VMS	INCORP DCR 10-18 CAP3
9	8/24/02	BCL	MRS	JEV	RE-INCORP DCR 10-18 CAP
8	8/15/02	DMS	MRS	WJZ	INCORP DCR 10-18 CAP
7	8/16/02	MRS	MPW	JEV	INCORP DCR 10-18 CAP
6	1/13/02	RHC	MRS	JEV	REV'D NOTE 2 FOR BLD DCR 10-18
5	8/14/07	MPW	BCL	RRC	INCORP DCR 10-18 CAP2 DELETED SPEC. BREAKS, REFINISHED PIPING SHOWN IN PHANTOM.
4	11/4/06	JOM	WSD	RRC	REVISED NOTES, CORRECTED LOCATION OF DRAIN LINE PER ISA 74-186422A. ADDED COORD. DMC COORDINATES.
3	9/12/06	MPW	MAP	RRC	ADDED VALVE V5888 TO AE-979. REVISED CONTINUATIONS.
2	6/24/06	TAK	WFS	RRC	REVISED CONTINUATIONS, CORRECTED REF. Dwg. REV. 1. UPDATED PER LATEST I&EC PAID.
1	05/08/06	DSP	TAK	WFD	REVISED CONTINUATIONS.
0	05/22/06	TAK	DMS	WFD	ISSUED FOR OPERATIONS.
REV	DATE	DSGN	CHKD	REV	DESCRIPTION

FPL ENERGY Seabrook Station

SPENT RESIN SLUICING SYSTEM

PID- 1-RS-B20252



- NOTES**
1. ALL INSTRUMENTS ARE FOR UNITS 1 & 2 UNLESS OTHERWISE NOTED. SYSTEM PREFIX IS "RM" UNLESS OTHERWISE SPECIFIED.
 2. TRANSFORMER 480/120V TO BE SUPPLIED BY RDMS VENDOR.
 3. FOR DETECTOR BACKGROUND LEVELS REFER TO SPEC 172-IS, TABLE 5.2-1
 4. DATA LOOP CONSISTS OF DUAL REDUNDANT TRANSMISSION LOOPS WITH ISOLATED OUTPUT FROM THE RM UNITS (SEE F.P. 71800)
 5. DESIGNED EXPLOSION PROOF
 6. ALL FIELD TERMINATIONS FOR RM UNIT ARE MADE IN ADJACENT JUNCTION BOX SUPPLIED BY VENDOR
 7. ** NOT SUPPLIED BY RDMS VENDOR

REFERENCE DRAWINGS

DBD-RM-1
SPEC 9763-006-172-1
510000 (ISS)
500006

ISSUED FOR CONSTRUCTION

12	5/17/05	MRB	TJM	SB	Ch	INCORP DCR 02-015, DCN- 6
11	9/30/03	SAC	TJM	RCP	RM	INCORP DCR 01-032, DCN-1; DCR 02-015, DCN-1; DCR 02-015, DCN-1; DCR 02-015, DCN-1; DCR 02-015, DCN-1
REV	DATE	BY	CHKD	CE	LOC	DESCRIPTION

FPL Energy Seabrook Station

PROCESS & EFFLUENT RADIATION MONITOR SYSTEM INSTRUMENTATION ENGINEERING DIAGRAM

1-NHY-500015