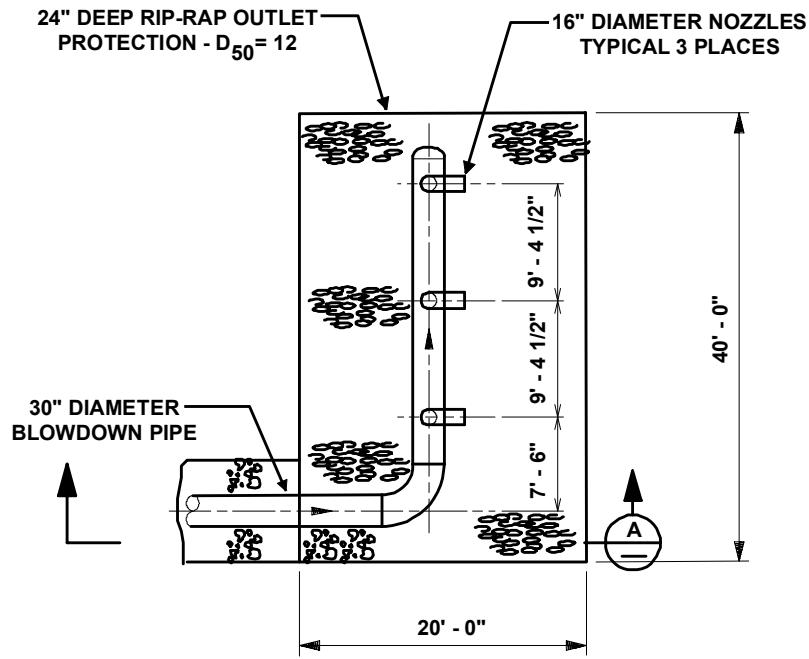
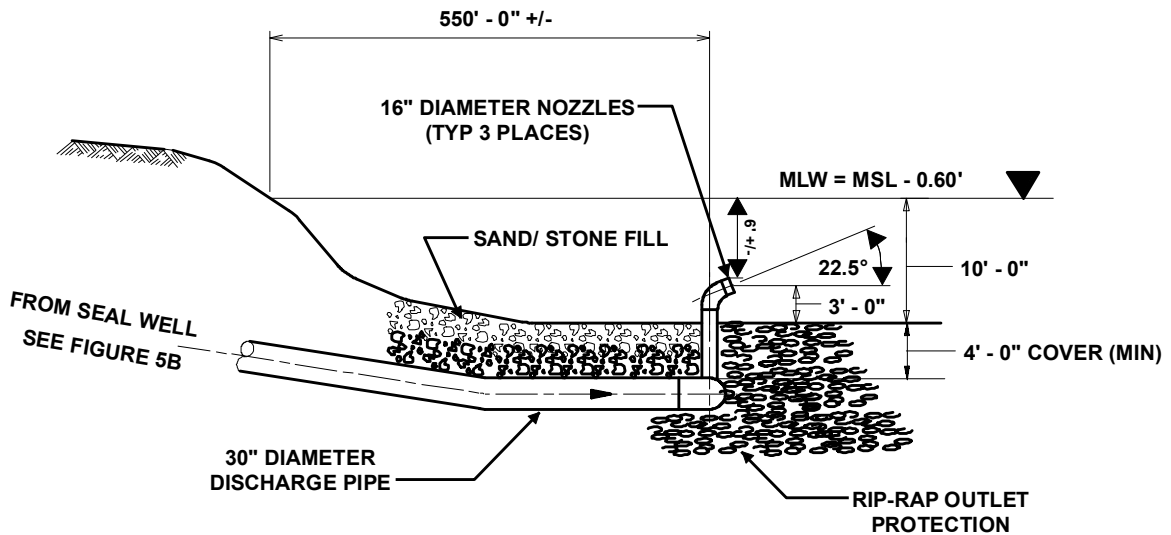


TIDAL



DIFFUSER PLAN VIEW



- NOTES: 1. -MEAN HIGH WATERLINE: 0.57'
 -MEAN LOW WATERLINE: -0.60'
 -MAXIMUM SPRING WATERLINE: 1.47'
 -THE DISTANCE FROM THE TOP OF THE DISCHARGE PIPE TO THE MEAN LOW WATER LINE WILL BE APPROXIMATELY 6 FT +/-

PURPOSE: PLANT EXPANSION
 DATA SOURCE:
 BECHTEL CORPORATION
 DATUM: (NGVD 29)
 PROJECT LATITUDE/LONGITUDE:
 38.424133
 -76.441598

**FIGURE 5C
 DISCHARGE OUTFALL
 DETAILS**

SCALE IN FEET

NOT TO SCALE

**CALVERT CLIFFS NUCLEAR
 POWER PLANT**

IN:
 PATUXENT / WEST CHESAPEAKE BAY
 COUNTY OF: CALVERT STATE: MD
 IN RESPONSE TO:
 USACE RAI 1/16/09 QUESTION 3

DATE: 5/09/08 REV 2 2/12/09