



Westinghouse Electric Company
Nuclear Power Plants
P.O. Box 355
Pittsburgh, Pennsylvania 15230-0355
USA

U.S. Nuclear Regulatory Commission
ATTENTION: Document Control Desk
Washington, D.C. 20555

Direct tel: 412-374-6206
Direct fax: 412-374-5005
e-mail: sisk1rb@westinghouse.com

Your ref: Docket No. 52-006
Our ref: DCP/NRC2340

January 8, 2009

Subject: AP1000 Response to Request for Additional Information (SRP 6)

Westinghouse is submitting a response to the NRC request for additional information (RAI) on SRP Section 6. This RAI response is submitted in support of the AP1000 Design Certification Amendment Application (Docket No. 52-006). The information included in the response is generic and is expected to apply to all COL applications referencing the AP1000 Design Certification and the AP1000 Design Certification Amendment Application.

Enclosure 1 provides the response for the following RAI:

RAI-SRP6.2.2-SPCV-04 Rev 1

Questions or requests for additional information related to the content and preparation of this response should be directed to Westinghouse. Please send copies of such questions or requests to the prospective applicants for combined licenses referencing the AP1000 Design Certification. A representative for each applicant is included on the cc: list of this letter.

Very truly yours,

A handwritten signature in black ink, appearing to read "Robert Sisk".

Robert Sisk, Manager
Licensing and Customer Interface
Regulatory Affairs and Standardization

/Enclosure

1. Response to Request for Additional Information on SRP Section 6

cc: D. Jaffe - U.S. NRC 1E
E. McKenna - U.S. NRC 1E
B. Gleaves - U.S. NRC 1E
P. Ray - TVA 1E
P. Hastings - Duke Power 1E
R. Kitchen - Progress Energy 1E
A. Monroe - SCANA 1E
P. Jacobs - Florida Power & Light 1E
C. Pierce - Southern Company 1E
E. Schmiech - Westinghouse 1E
G. Zinke - NuStart/Entergy 1E
R. Grumbir - NuStart 1E
D. Lindgren - Westinghouse 1E

ENCLOSURE 1

Response to Request for Additional Information on SRP Section 6

AP1000 TECHNICAL REPORT REVIEW

Response to Request For Additional Information (RAI)

RAI Response Number: RAI-SRP6.2.2-SPCV-04
Revision: 1

Question:

In DCD Tier 1 Table 2.2.2-2, the Line Numbers identified for the last two rows are not consistent with the changes made to Figure 6.2.2-1. Describe any corrections, if necessary, to Table 2.2.2-2.

Westinghouse Response:

The line number for PCS makeup to the spent fuel pool is incorrectly numbered as shown in Figure 6.2.2-1 (Sheet 1 of 2). A DCD revision is required to replace the line PCS-PL-L018 with PCS-PL-L017 in Figure 6.2.2-1 (Sheet 1 of 2). The physical line itself remains the same only the numbering changes. The revision to the DCD is occurring in Tier 2 information NOT Tier 1 information.

Additional Question:

In response to RAI-SRP6.2.2-SPCV-04, Westinghouse states Tier 1 Table 2.2.2-2 does not have to be changed to reflect changes made to the PCS P&ID (Figure 6.2.2-1 Sh 1 of 2). From Figure 6.2.2-1, it appears that PCS-PL-L048 should be included in Tier 1 Table 2.2.2-2, "Post 72 hr PCCWST Makeup Supply lines," and PCS-PL-L011 should be included in Tier 1 Table 2.2.2-2, "Post 72 hr SFS Makeup Line." For each of these lines, provide an explanation why they should not be included.

Addition to Westinghouse Response:

After extensive review of the ITAACs in DCD Tier 1 Table 2.2.2-2, and PCS P&ID (APP-PCS-M6-001/002), it has been determined that there are several lines in addition to PCS-PL-L011 and -L048 that would need to be added to Table 2.2.2-2. Also, the pipeline names describing the lines in Table 2.2.2-2 are reworded to enhance clarity.

The revised table is presented in the form below:

AP1000 TECHNICAL REPORT REVIEW

Response to Request For Additional Information (RAI)

Table 2.2.2-2			
Pipeline Name	Line Number	ASME Code Section III	Functional Capability Required
PCCWST Discharge Lines	PCS-PL-L001A/B/C/D	Yes	Yes
PCCWST Discharge Cross-connect Line	PCS-PL-L002	Yes	Yes
PCCWST Discharge Header Lines	PCS-PL-L003A/B PCS-PL-L005	Yes	Yes
Post-72-hour Supply Line Connection	PCS-PL-L051 PCS-PL-L054 PCS-PL-L065	Yes	Yes
Post-72-hour PCCWST Makeup From Supply Line Connections	PCS-PL-L004 PCS-PL-L023	Yes	Yes
Post-72-hour SFS Makeup From PCCWST	PCS-PL-L011 PCS-PL-L017 PCS-PL-L018 PCS-PL-L030 * PCS-PL-L073	Yes	Yes
Post-72-Hour SFS Makeup From Supply Line Connection	PCS-PL-L025 PCS-PL-L029 PCS-PL-L030 * PCS-PL-L048 PCS-PL-L049	Yes	Yes
* Line PCS-PL-L030 is a common makeup line from both sources			

As a resolution to the inconsistency between the P&IDs and Table 2.2.2-2, a Design Change Proposal (DCP) has been written and is being presented for approval. The DCP is a Class 1 change and amends Table 2.2.2-2 to match current PCS design.

AP1000 TECHNICAL REPORT REVIEW

Response to Request For Additional Information (RAI)

Design Control Document (DCD) Revision:

PCS-PL-L018 is replaced by PCS-PL-L017 on the attached PCS P&ID and detail (Figure 6.2.2-1 Sh 1 of 2).

Tier 1 ITAAC Table 2.2.2-2 will be revised as shown:

Table 2.2.2-2			
Pipeline Name	Line Number	ASME Code Section III	Functional Capability Required
PCCWST Discharge Lines	PCS-PL-L001A/B/C/D	Yes	Yes
PCCWST Discharge Cross-connect Line	PCS-PL-L002	Yes	Yes
PCCWST Discharge Line	PCS-PL-L005	Yes	Yes
PCCWST Discharge Header Lines	PCS-PL-L003A, L003/B PCS-PL-L005	Yes	Yes
Post-72-hour Supply Line Connection	PCS-PL-L051 PCS-PL-L054 PCS-PL-L065	Yes	Yes
Post-72-hour PCCWST Makeup From Supply Line Connections	PCS-PL-L004 PCS-PL-L023 PCS-PL-L051	Yes	Yes
Post-72-hour PCCWST Makeup Supply Lines	PCS-PL-L029 PCS-PL-L054	Yes	Yes
Post-72-hour SFS Makeup Lines From PCCWST	PCS-PL-L011 PCS-PL-L017 PCS-PL-L018 PCS-PL-L030 PCS-PL-L049 PCS-PL-L073	Yes	Yes
Post-72-Hour SFS Makeup From Supply Line Connection	PCS-PL-L025 PCS-PL-L029 PCS-PL-L030 PCS-PL-L048 PCS-PL-L049	Yes	Yes

* Line PCS-PL-L030 is a common makeup line from both sources

PRA Revision:

None

Technical Report (TR) Revision:

None

AP1000 TECHNICAL REPORT REVIEW

Response to Request For Additional Information (RAI)

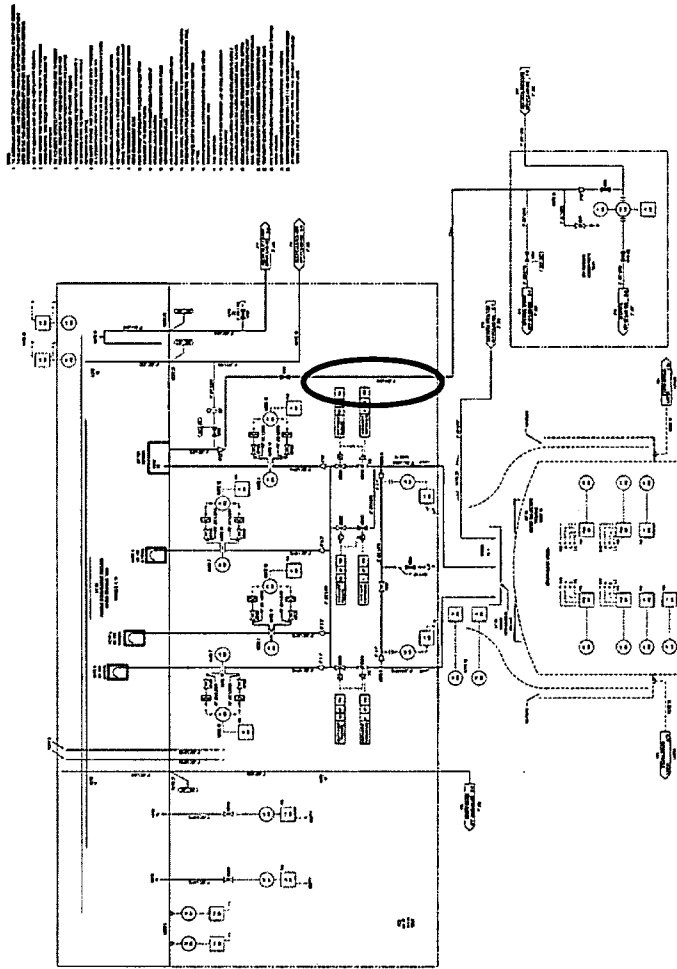
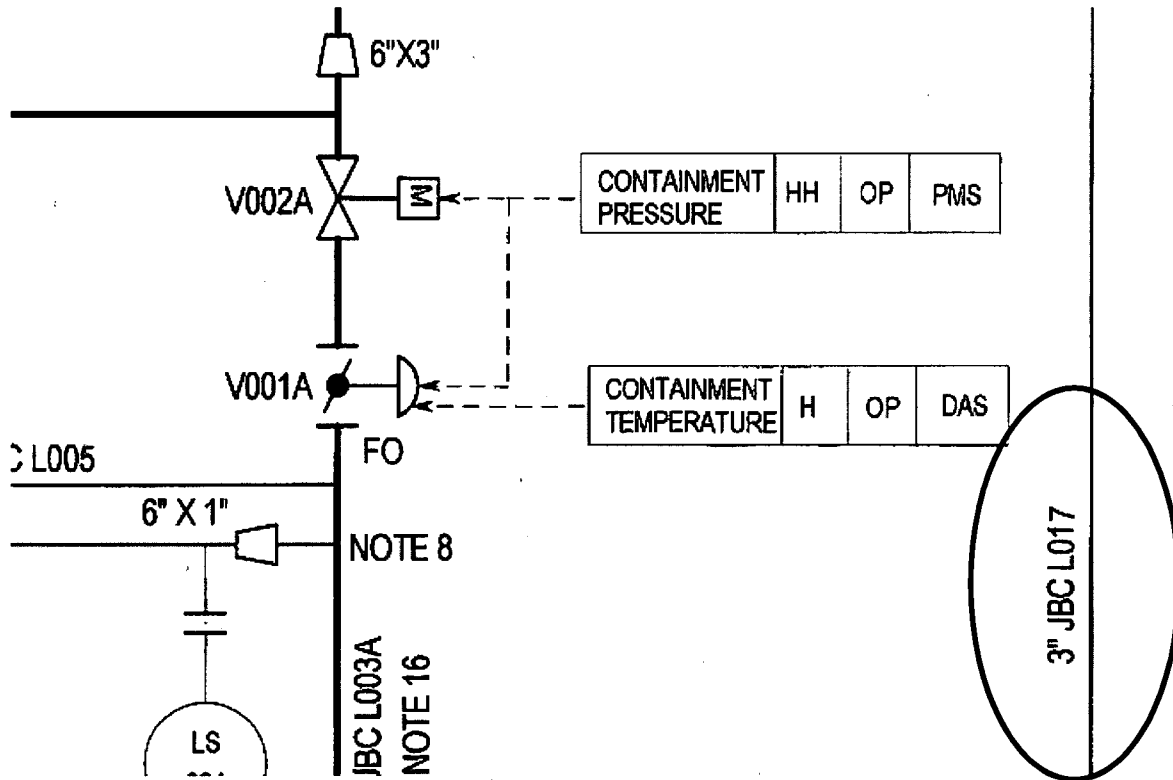


Figure 6.2.2-1 (Sheet 1 of 2)
Passive Containment Cooling System
Piping and Instrumentation Diagram
(REF) PCCS (R)

See next page for enlargement of markup.

AP1000 TECHNICAL REPORT REVIEW

Response to Request For Additional Information (RAI)



Circled area shows the markup to occur on Figure 6.2.2-1 (Sheet 1 of 2).