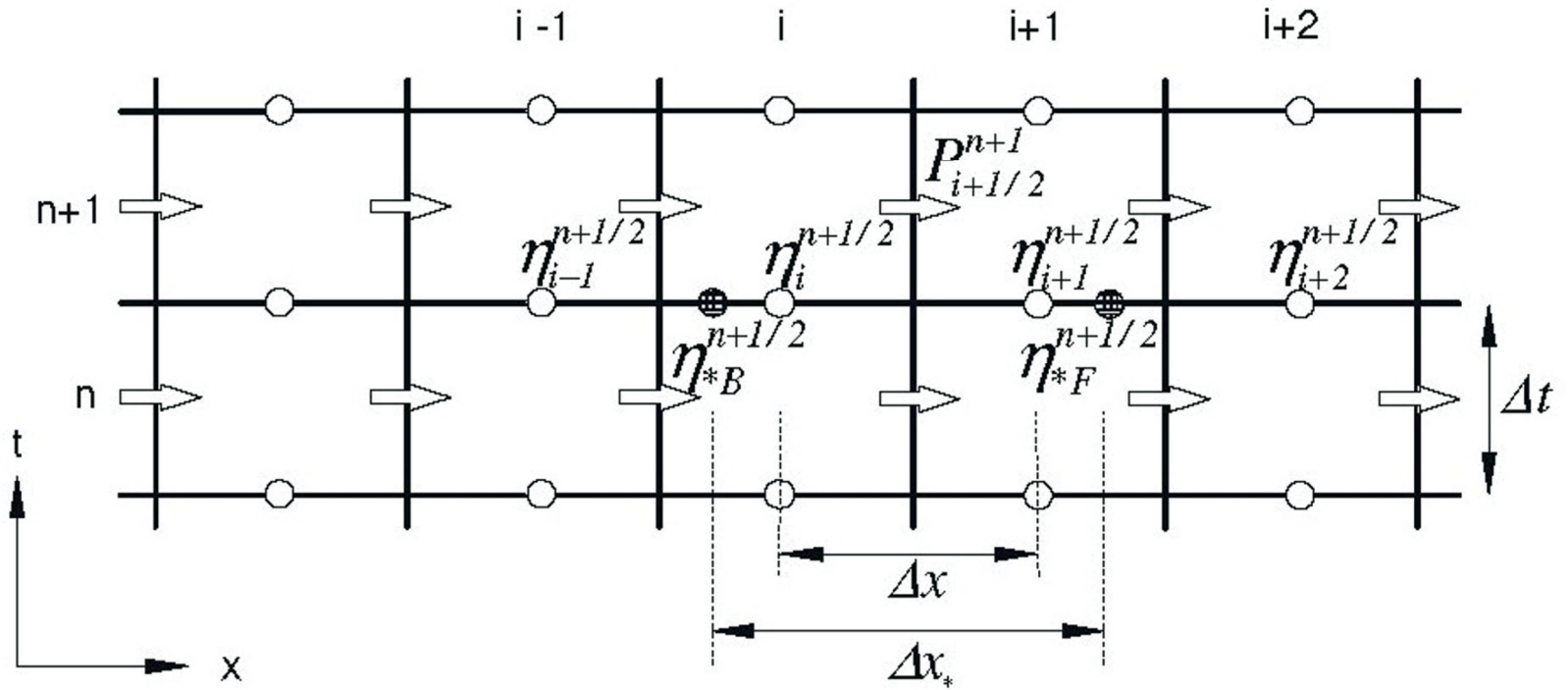
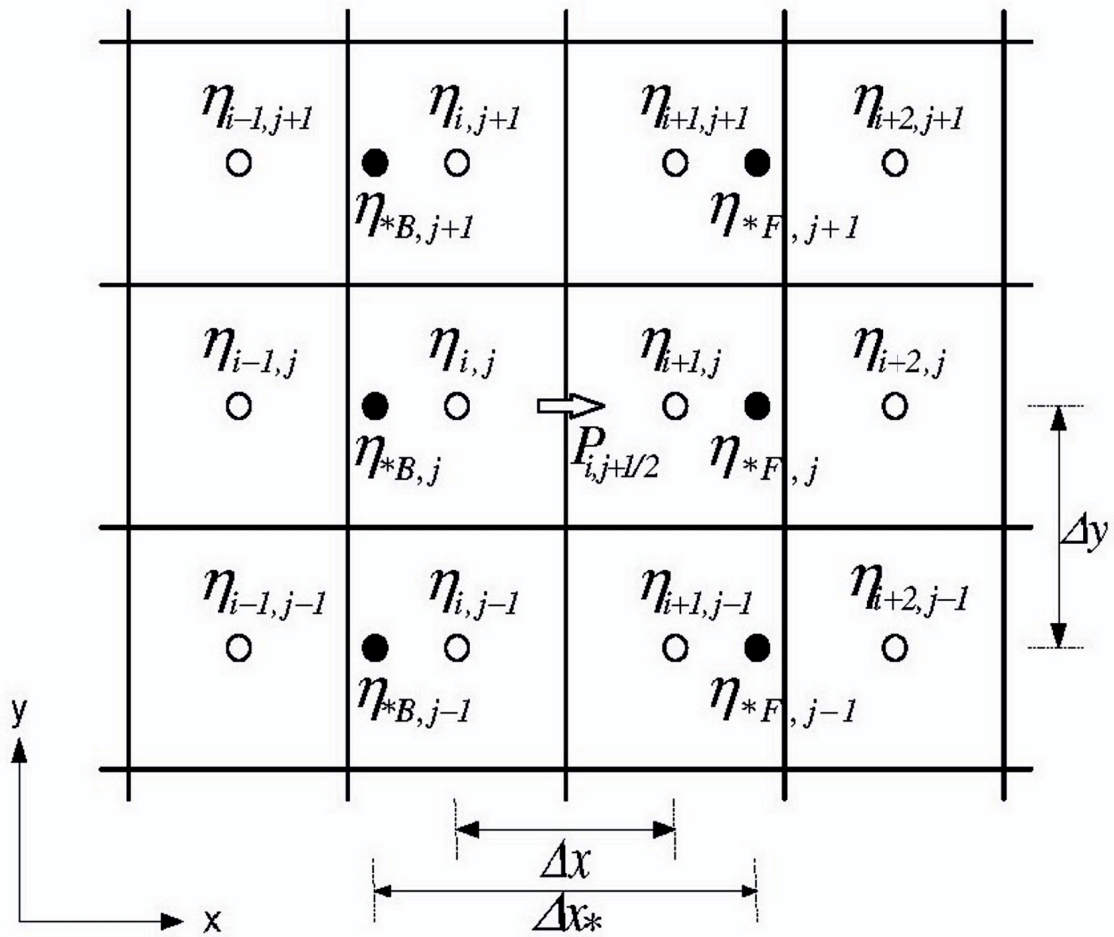


Figure 2.4-30—{Time Grid Scheme for Assignment of Variables}



○ Actual Grid Point, ● Hidden Grid Point

Figure 2.4-31—{Spatial Grid Scheme for Assignment of Variables}



$\circ$  Actual Grid Point,  $\bullet$  Hidden Grid Point

Figure 2.4-32—{Computational Domain for Tsunami Simulation in Chesapeake Bay}

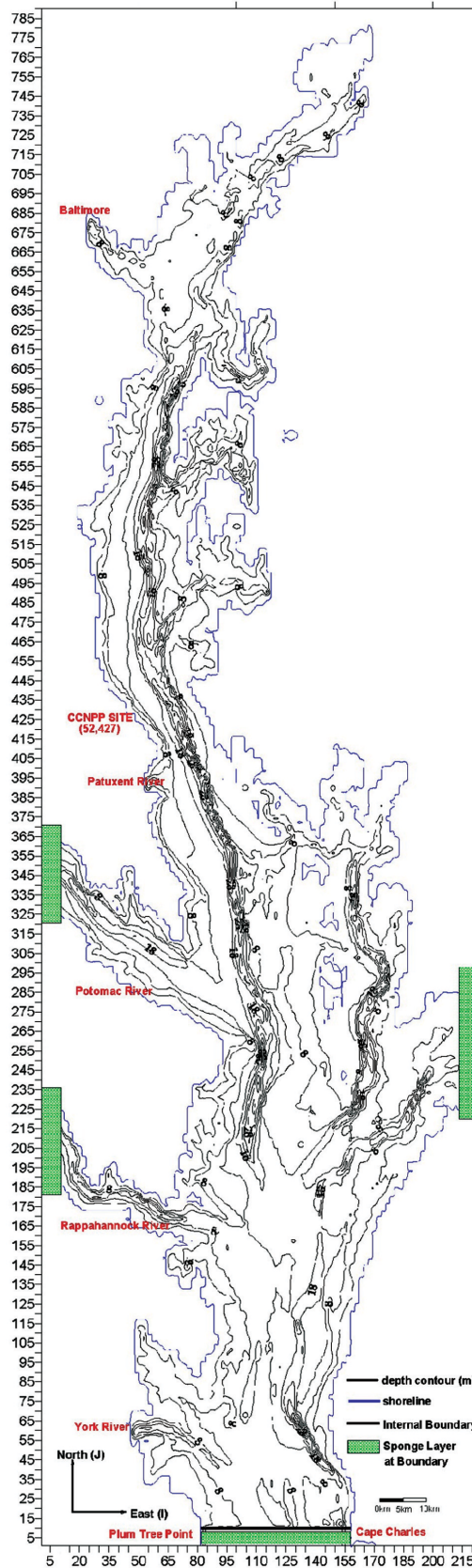


Figure 2.4-33—{Water Levels Along Internal Boundary 1}

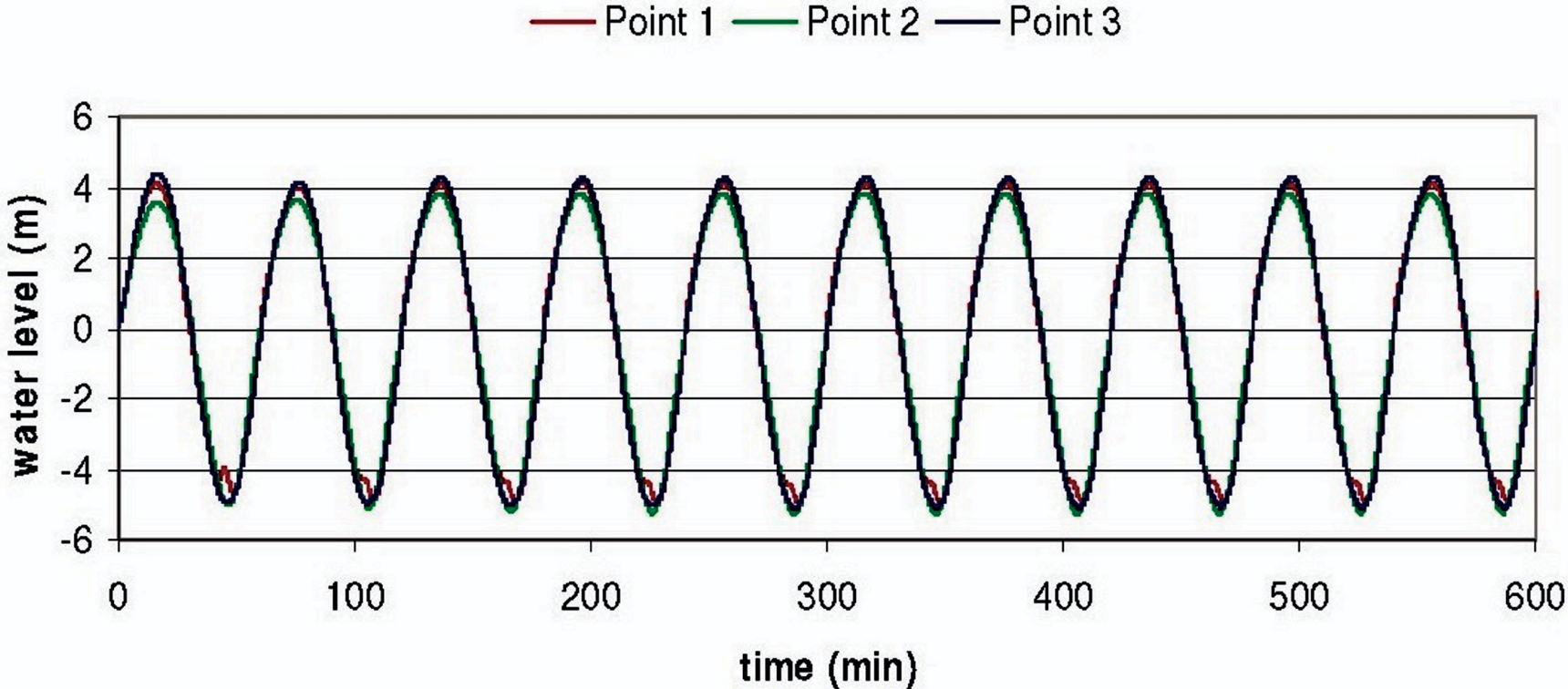




Figure 2.4-34—Water Levels Along Internal Boundary 2}

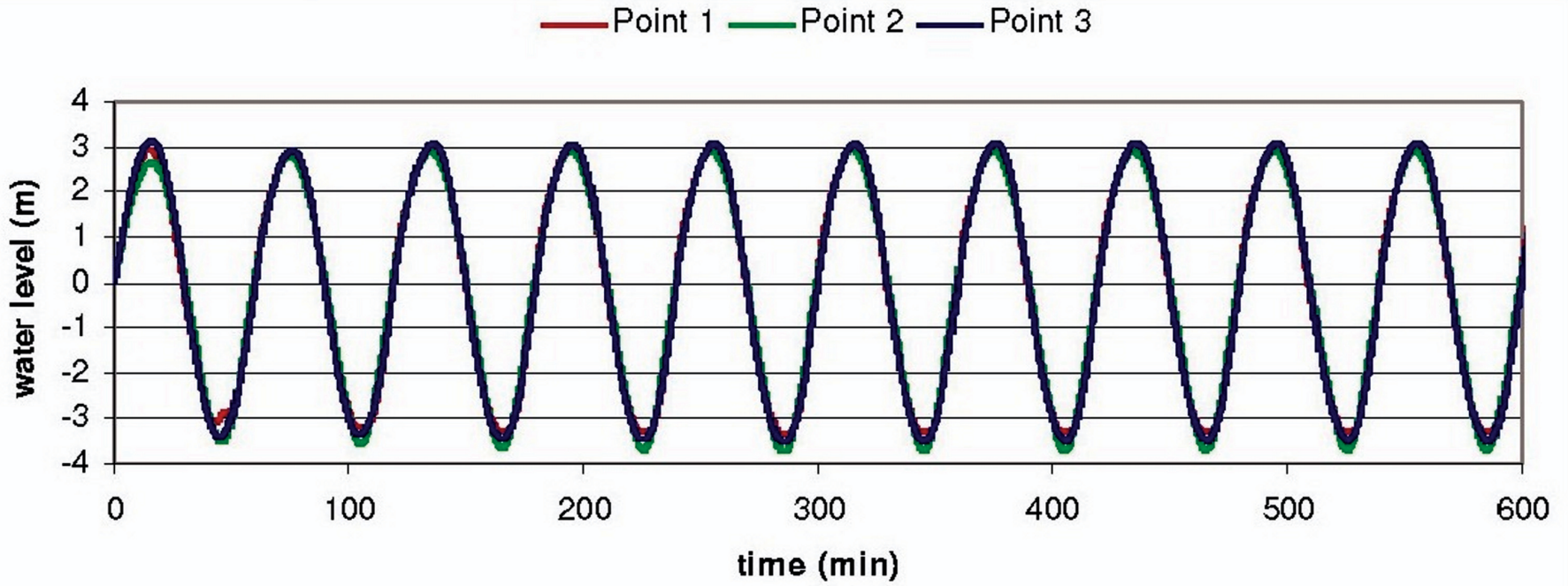


Figure 2.4-35—Water Levels Along Internal Boundary 3}

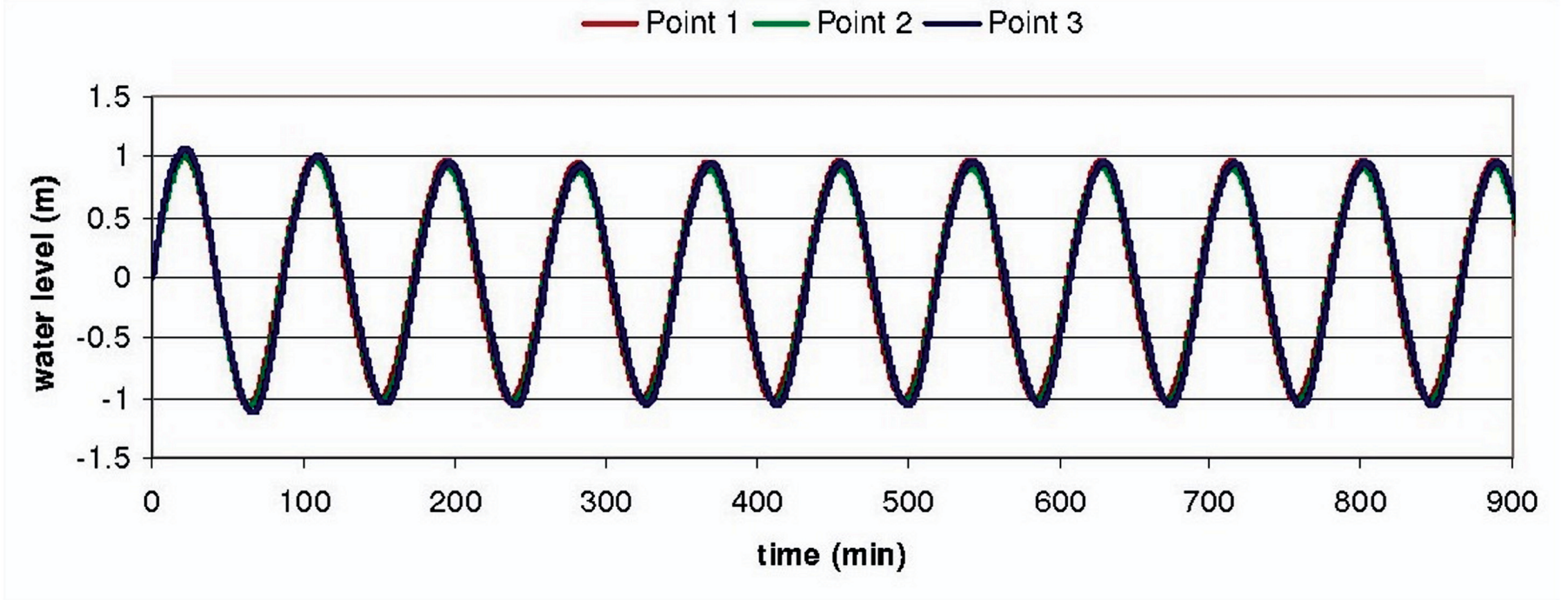


Figure 2.4-36—Water Levels Along Internal Boundary 4}

