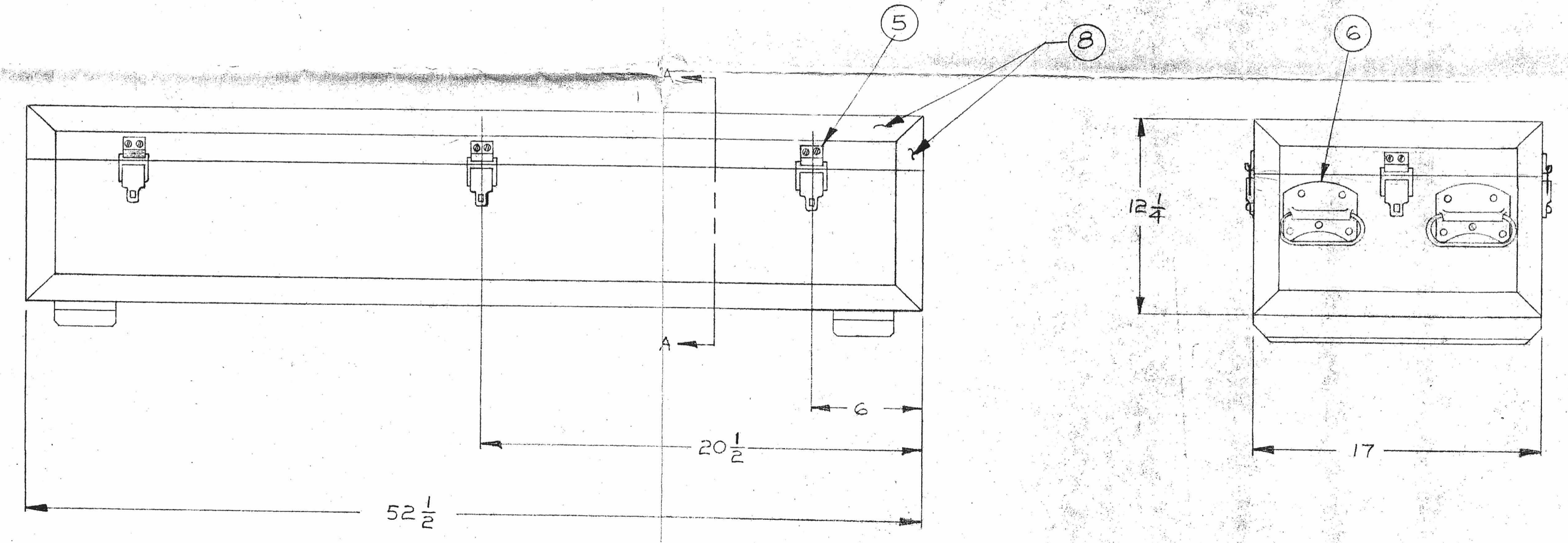
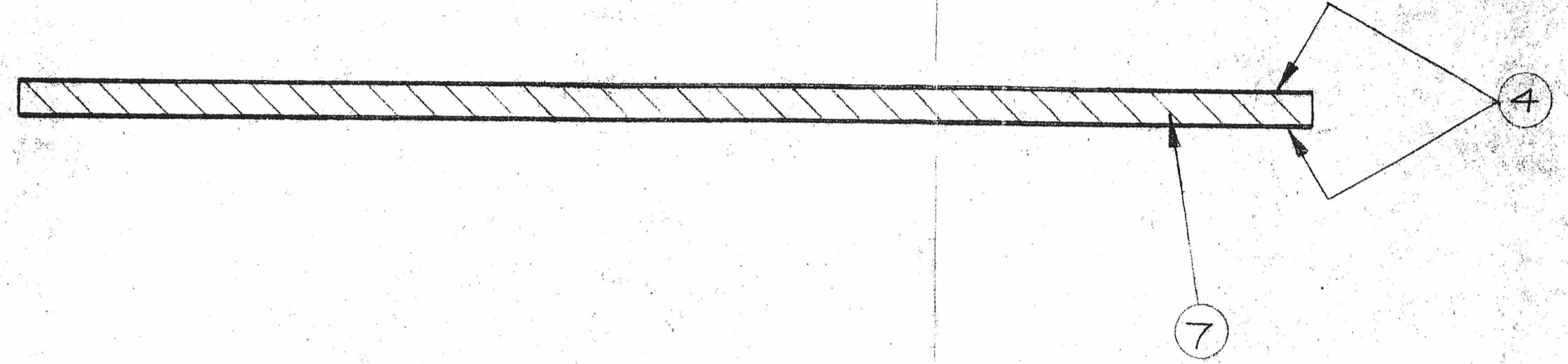
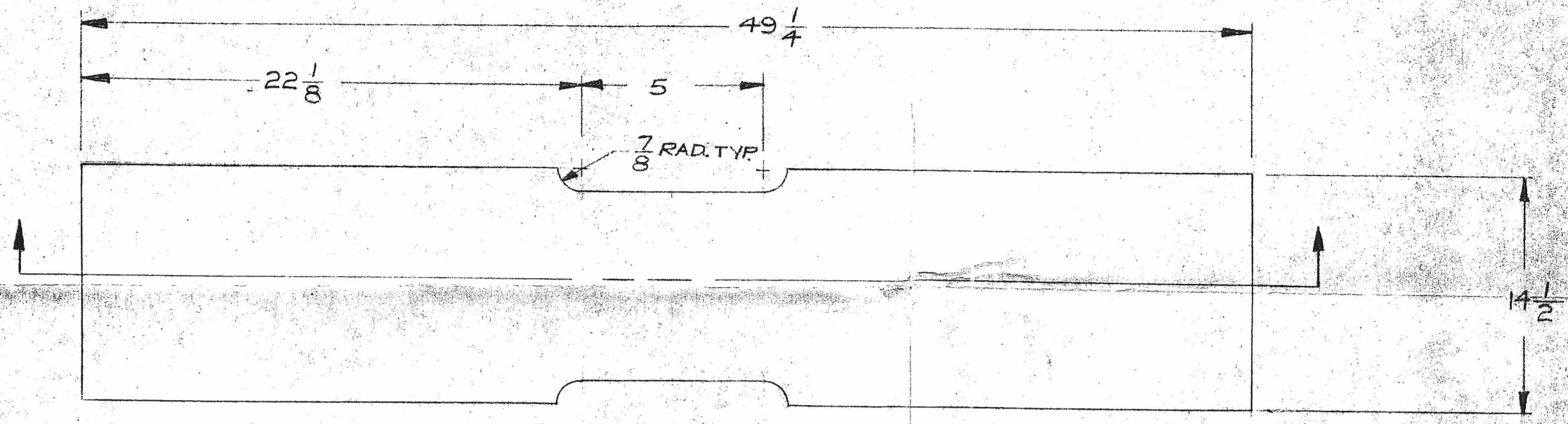
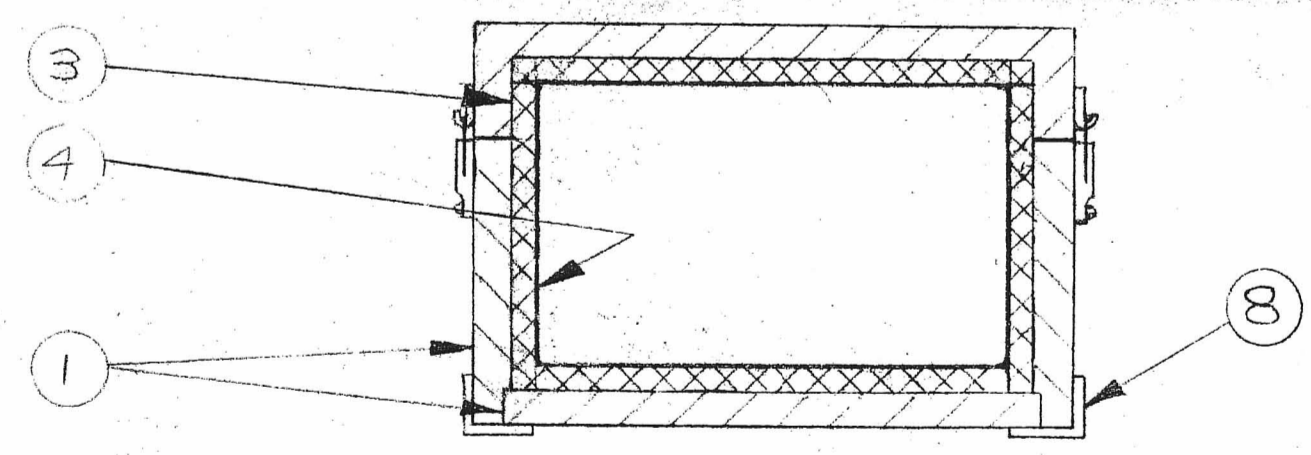


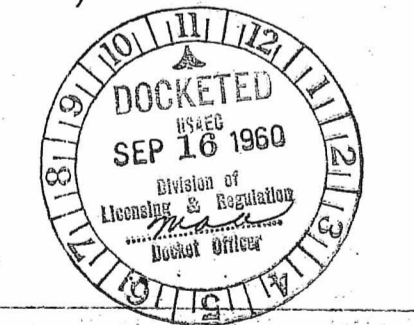
CHG. LET.	DESCRIPTION	DATE	BY	APP.	CHG. NO.



SECTION A-A



DOCKET NO. 70-139  
File C.  
Issued w/pts. 9-16-60



14	
13	
12	
11	
10	
9	
AR 8	ANGLE IRON $\frac{1}{8} \times 1 \frac{1}{2}$ LG.
AR 7	POLYETHYLENE HIGH DENSITY 1" THICK
4 6	HANDLE CHEST # H20T5 SIZE 4 MCMMASTER-CARR SUPPLY CO.
8 5	BOX LOCK # 15642 SC CORBIN
AR 4	CADMIUM .020 THICK SHEET
AR 3	POLYETHYLENE HIGH DENSITY $\frac{1}{2}$ " THICK
AR 1	PLYWOOD 1" THICK

G-2 QUANTITY	G-1 ITEM NO.	ITEM NO.	DRAWING NO.	DESCRIPTION	PROJECT NO.	USED ON ASSY
TOLERANCES UNLESS OTHERWISE SPECIFIED		APPROVED	DATE	FINISH & SPECIFICATION	TITLE	
DECIMAL	$\pm .005$	DRAWN	8/23/60	MATERIAL & SPECIFICATION	UNIVERSAL SHIPPING CONTAINER FOR FUEL ELEMENTS	
FRACTIONAL	$\pm 1/64$	CHECKED				
ANGULAR	$\pm 1/2^\circ$	APPROVED				
BREAK ALL SHARP EDGES				SCALE	SIZE	DRAWING NO.
REMOVE ALL BURRS				ENGELHARD INDUSTRIES, INC.	D	50084
				D. E. MAKEPEACE DIVISION		REV.
				ATTLEBORO, MASS.		

D-11