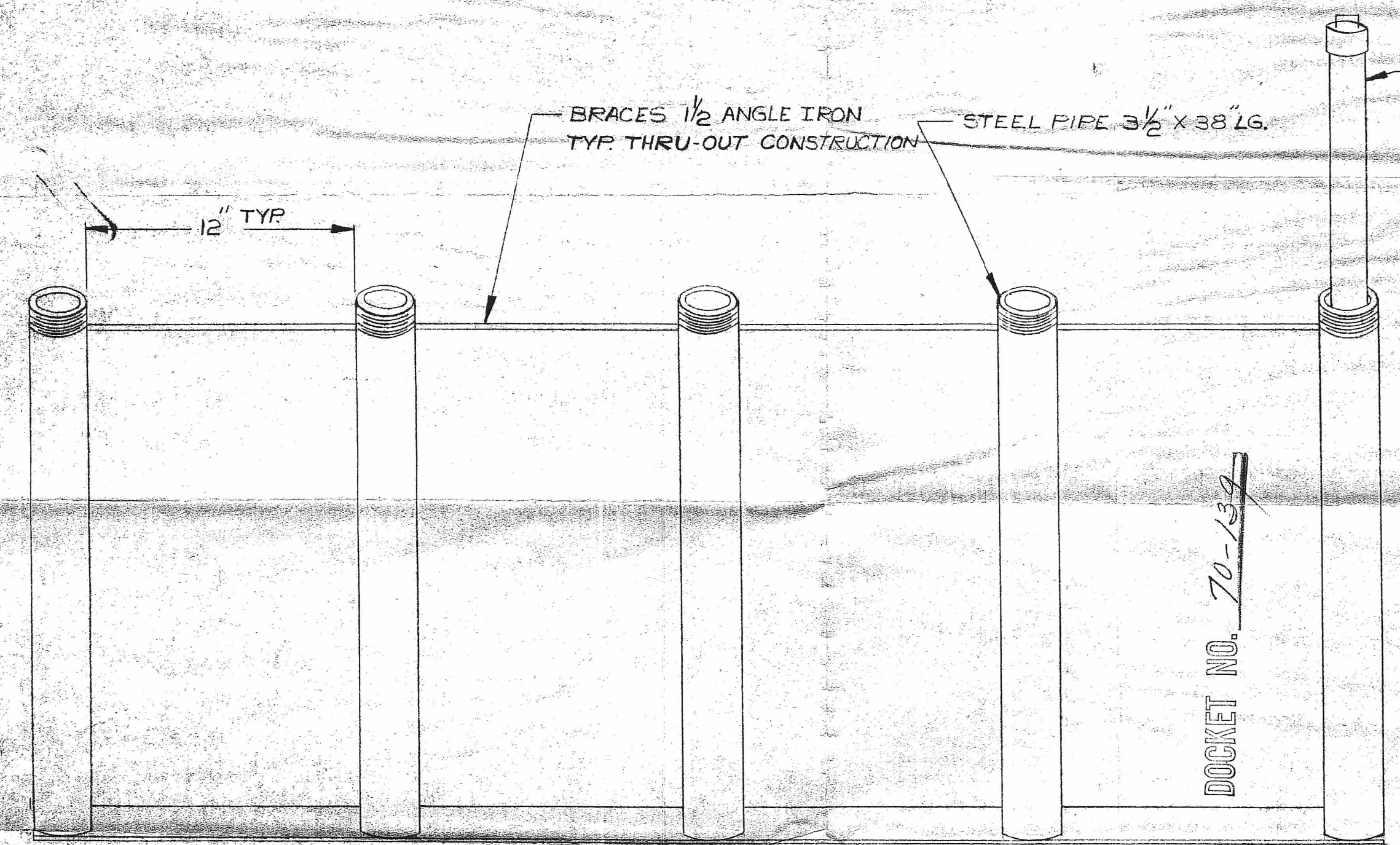
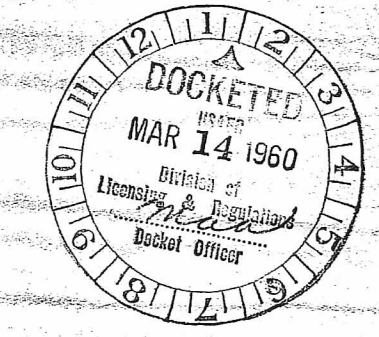
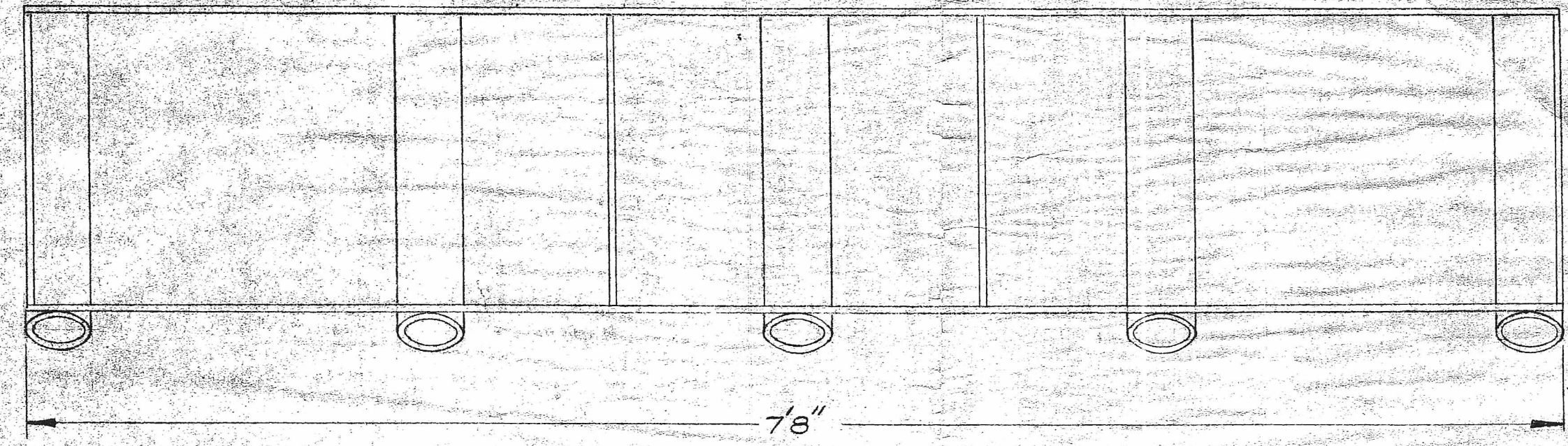
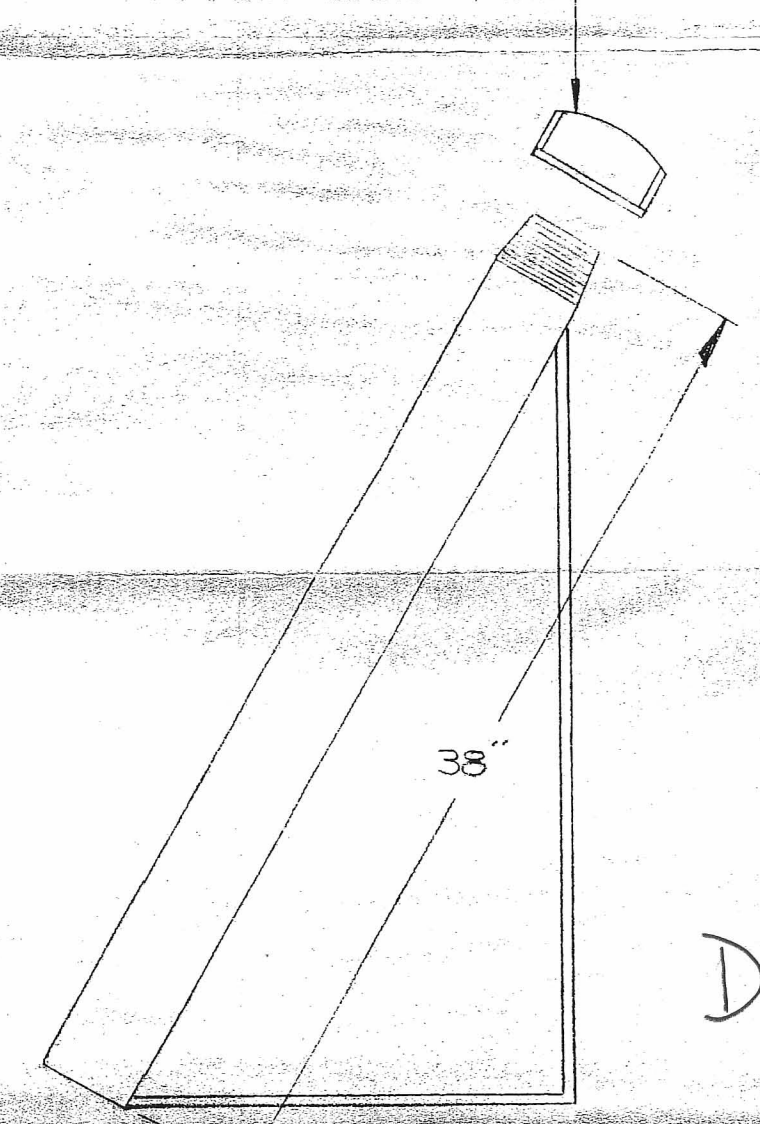


CHG. LET.	DESCRIPTION	DATE	BY	APP.	CHG. NO.
A	REMOVED CADMIUM LINER CHANGE TUBE SPACING TO 12" CHANGE BRACE FOR FLOOR MOUNTING	3/10/60	AJF		197



STEEL PIPE 2 1/2 X 36 LG.

DOCKET NO. 70-139
File of
(Comm. w/lt. 3-11-60)
PIPE CAP



D-08

DOCKET NO. 70-139

EXHIBIT 'C'

G-2 QUANTITY	G-1 ITEM NO.	ITEM NO.	DRAWING NO.	DESCRIPTION	PROJECT NO.	USED ON ASS'Y
TOLERANCES UNLESS OTHERWISE SPECIFIED				APPROVED	DATE	FINISH & SPECIFICATION
DECIMAL ±.005				DRAWN <i>[Signature]</i>	12-28-59	MATERIAL & SPECIFICATION
FRACTIONAL ±1/64"				CHECKED		
ANGULAR ± 1/2°				APPROVED <i>N. Weiss</i>	12-28-59	
BREAK ALL SHARP EDGES				ENGELHARD INDUSTRIES, INC.		SCALE
REMOVE ALL BURRS				D. E. MAKEPEACE DIVISION		NONE
				SIZE	DRAWING NO.	REV.
				C	50034	A
				TITLE		
				STORAGE RACKS FOR FINISHED PINS		