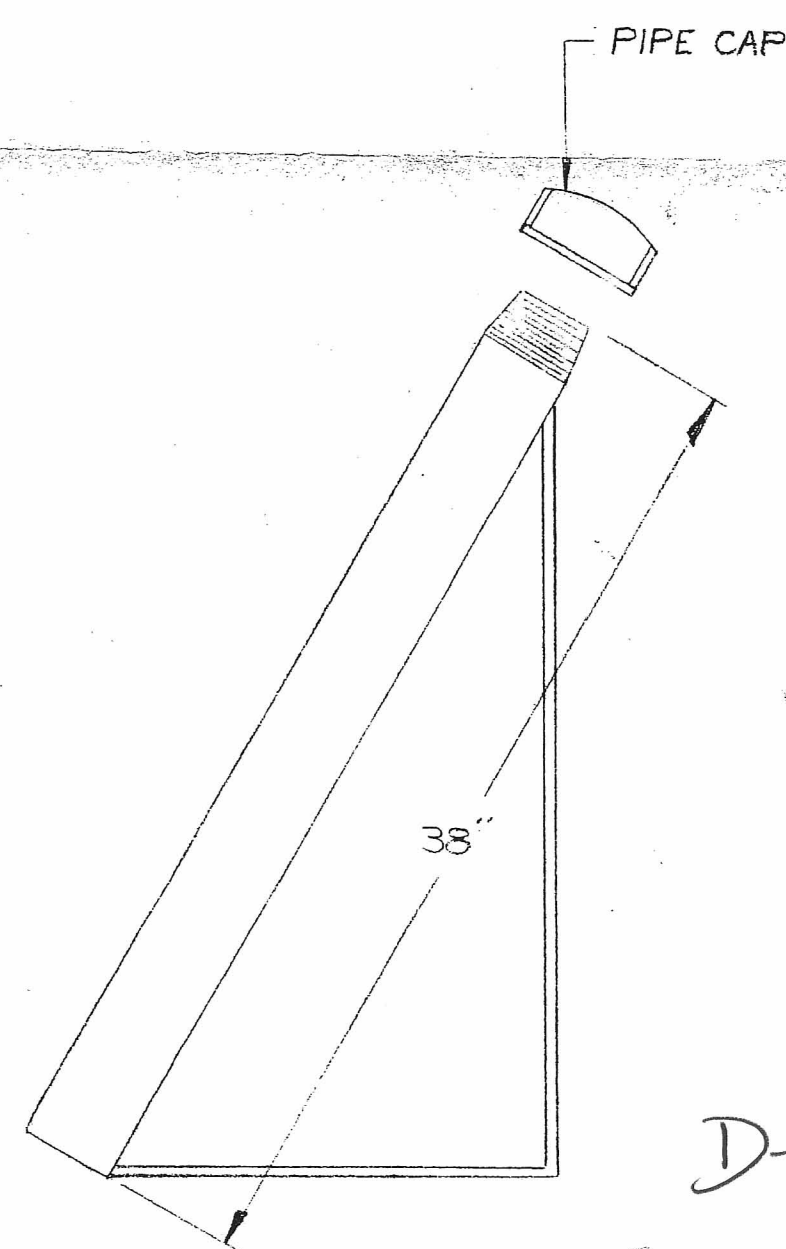
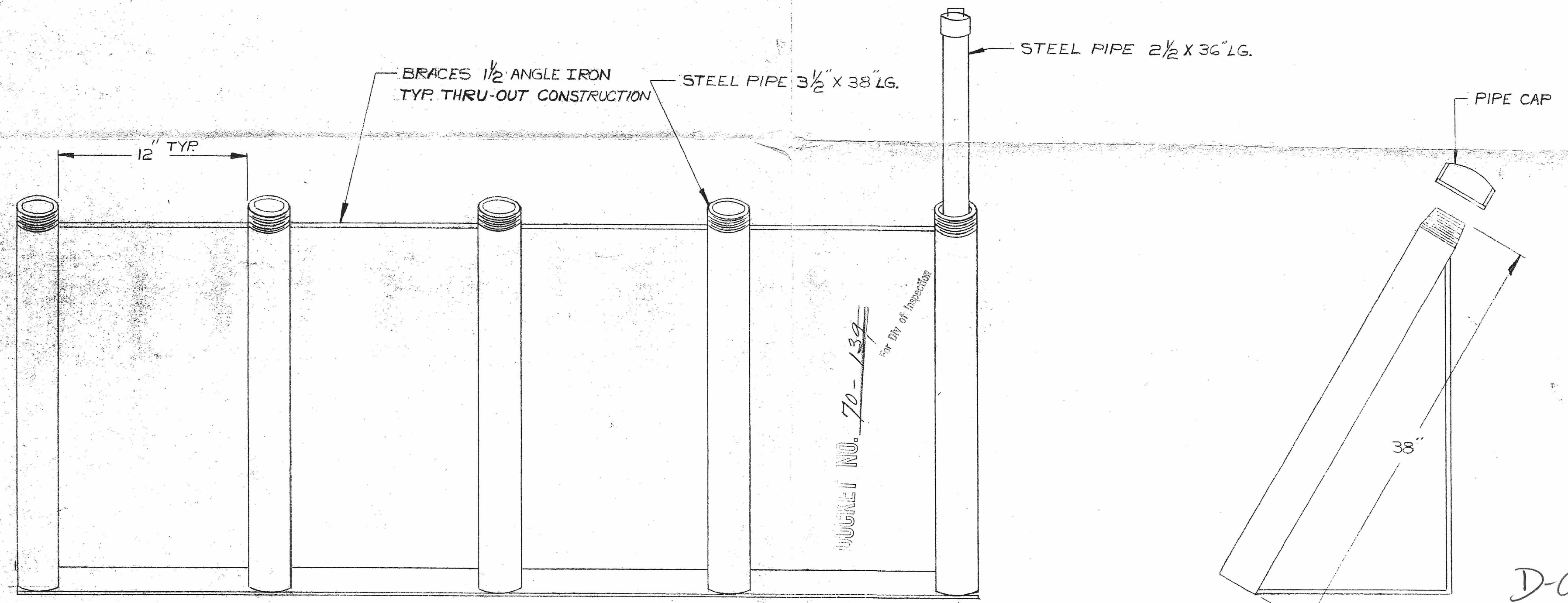
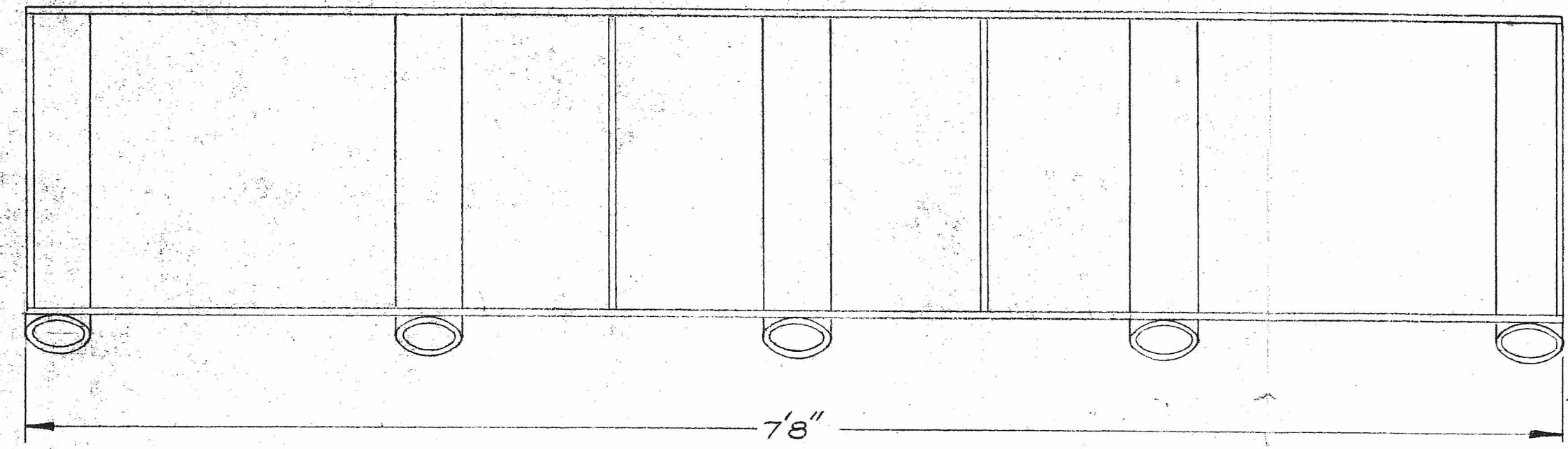


CHG. LET.	DESCRIPTION	DATE	BY	APP.	CHG. NO.
A	REMOVED CADMIUM LINER CHANGE TUBE SPACING TO 12" CHANGE BRACE FOR FLOOR MOUNTING	3/10/60	AJF		147



D-03  
EXHIBIT 'C'

G-2 QUANTITY	G-1 ITEM NO.	ITEM NO.	DRAWING NO.	DESCRIPTION	PROJECT NO.	USED ON ASS'Y
TOLERANCES UNLESS OTHERWISE SPECIFIED			APPROVED	DATE	FINISH & SPECIFICATION	TITLE
DECIMAL	± .005		DRAWN	12-27-59	MATERIAL & SPECIFICATION	STORAGE RACKS FOR FINISHED PINS
FRACTIONAL	± 1/64"		CHECKED			
ANGULAR	± 1/2°		APPROVED	12-28-59		
BREAK ALL SHARP EDGES REMOVE ALL BURRS			ENGELHARD INDUSTRIES INC. D. E. MAKEPEACE DIVISION ATTLEBORO, MASS.		SCALE NONE	SIZE C DRAWING NO. 50034 REV. A