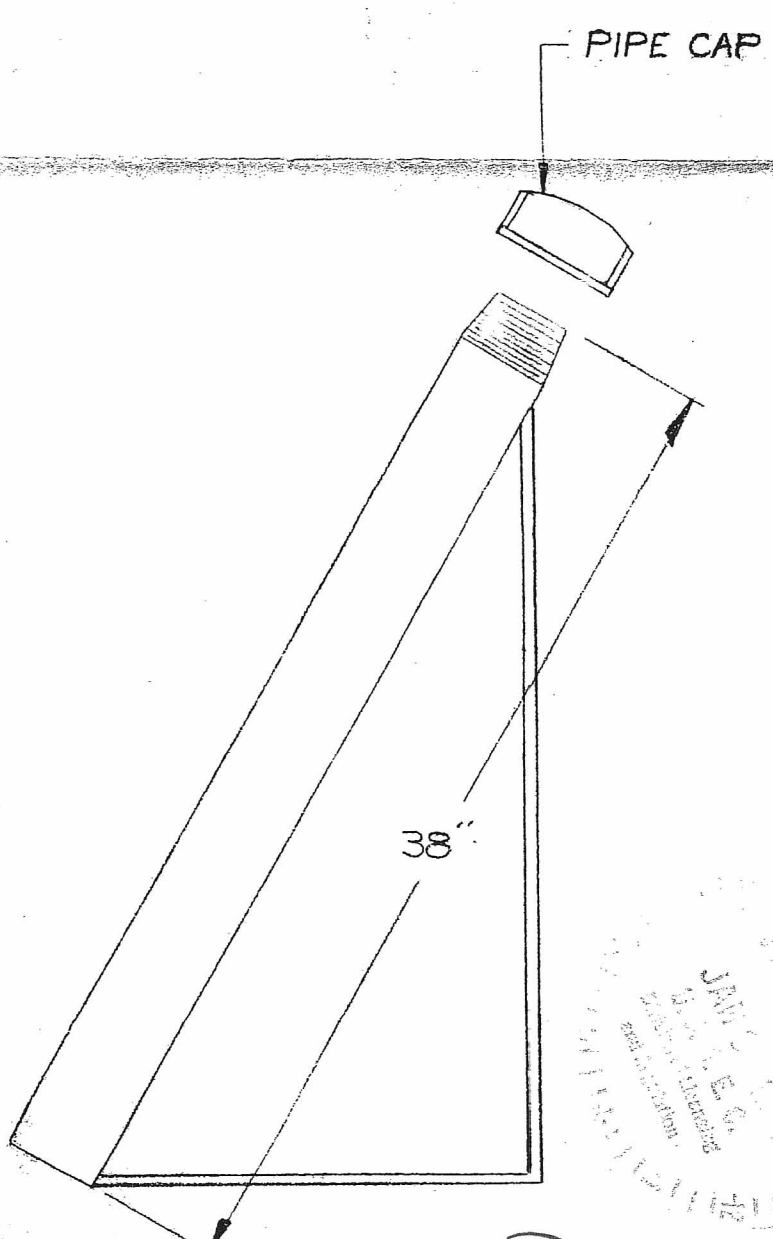
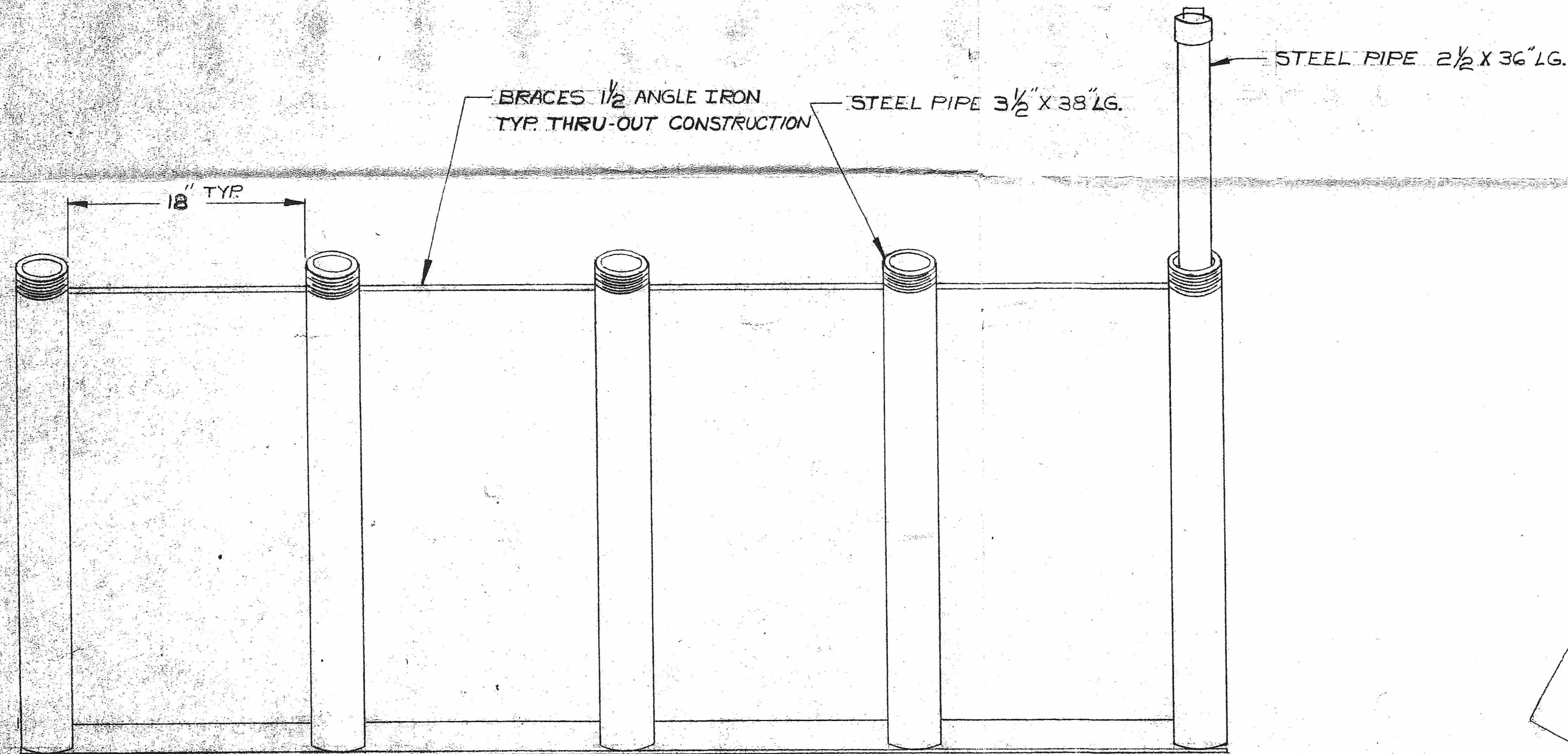
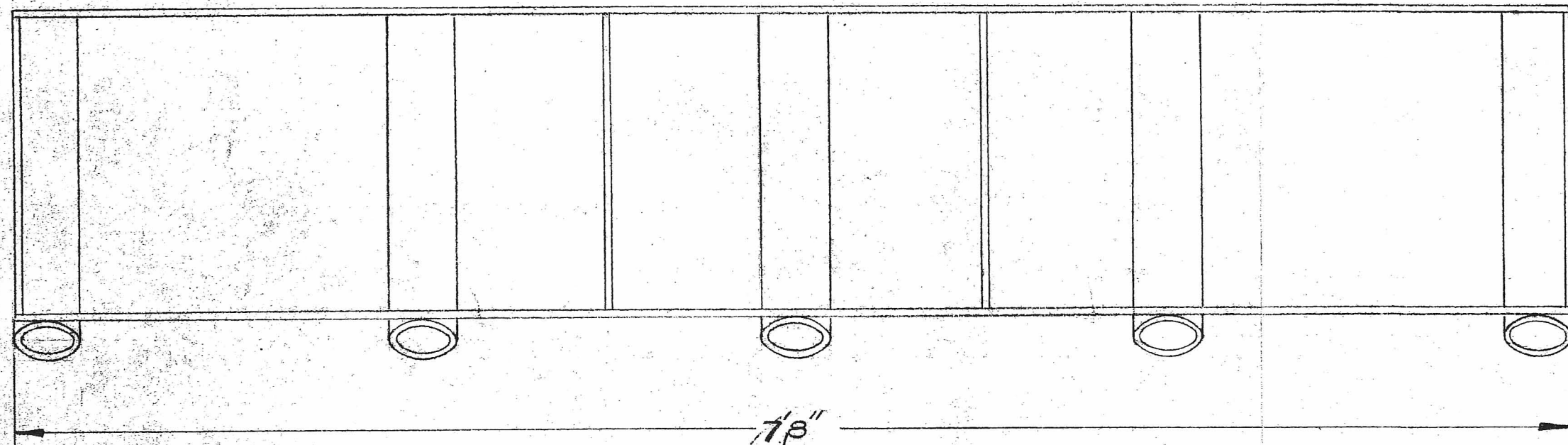


CHG. LET.	DESCRIPTION	DATE	BY	APP.	CHG. NO.
A	REMOVED CADMIUM LINER CHANGE TUBE SPACING TO 12" CHANGE BRACE FOR FLOOR MOUNTING	3/10/60	AJF		147

676



DRAWING NO. 70-139

D-02

G-2	G-1	ITEM NO.	DRAWING NO.	DESCRIPTION	PROJECT NO.	USED ON ASS'Y
TOLERANCES UNLESS OTHERWISE SPECIFIED						
DECIMAL		± .005				
FRACTIONAL		± 1/64"				
ANGULAR		± 1/2°				
BREAK ALL SHARP EDGES REMOVE ALL BURRS						
APPROVED			DATE	FINISH & SPECIFICATION	TITLE	
DRAWN <i>[Signature]</i>			12-21-59	MATERIAL & SPECIFICATION	STORAGE RACKS FOR FINISHED PINS	
CHECKED						
APPROVED <i>N. Weiss</i>			12-28-59			
ENGELHARD INDUSTRIES, INC. D. E. MAKEPEACE DIVISION ATTLEBORO, MASS.				SCALE NONE	SIZE C	DRAWING NO. 50034 REV. A