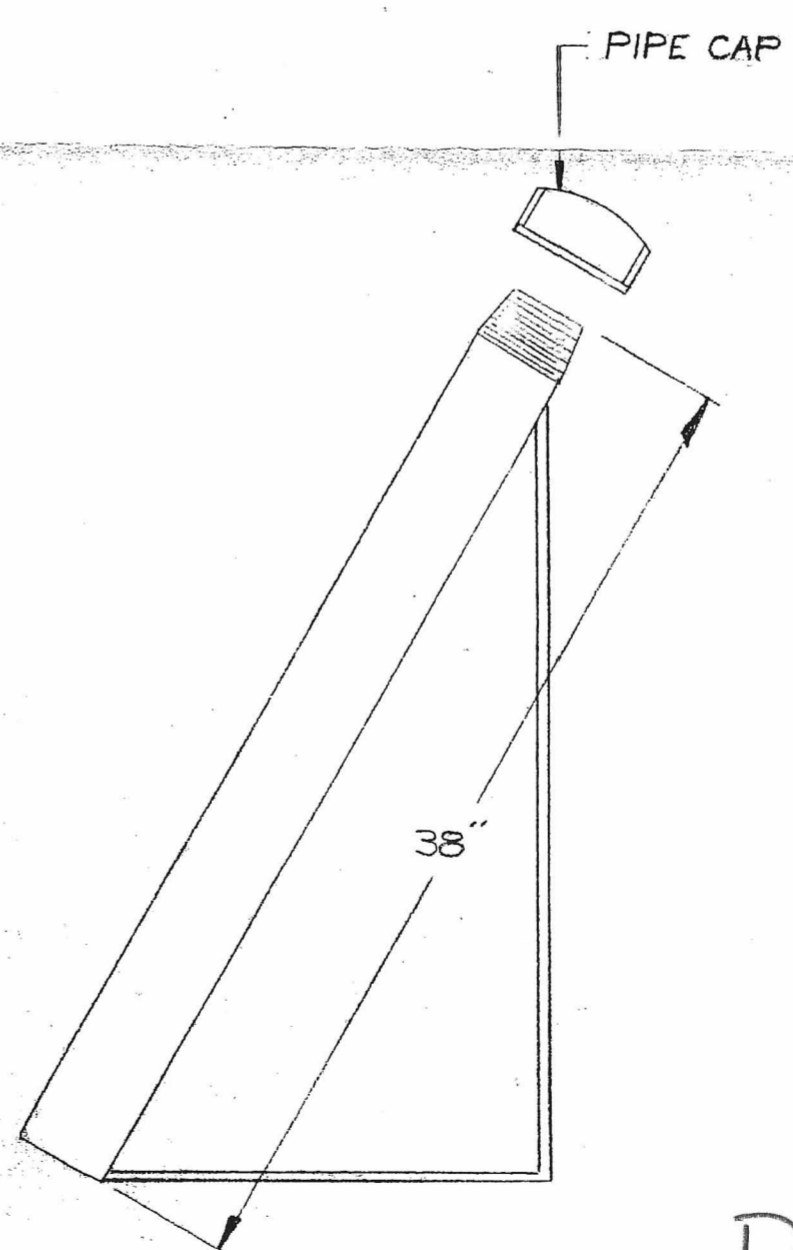
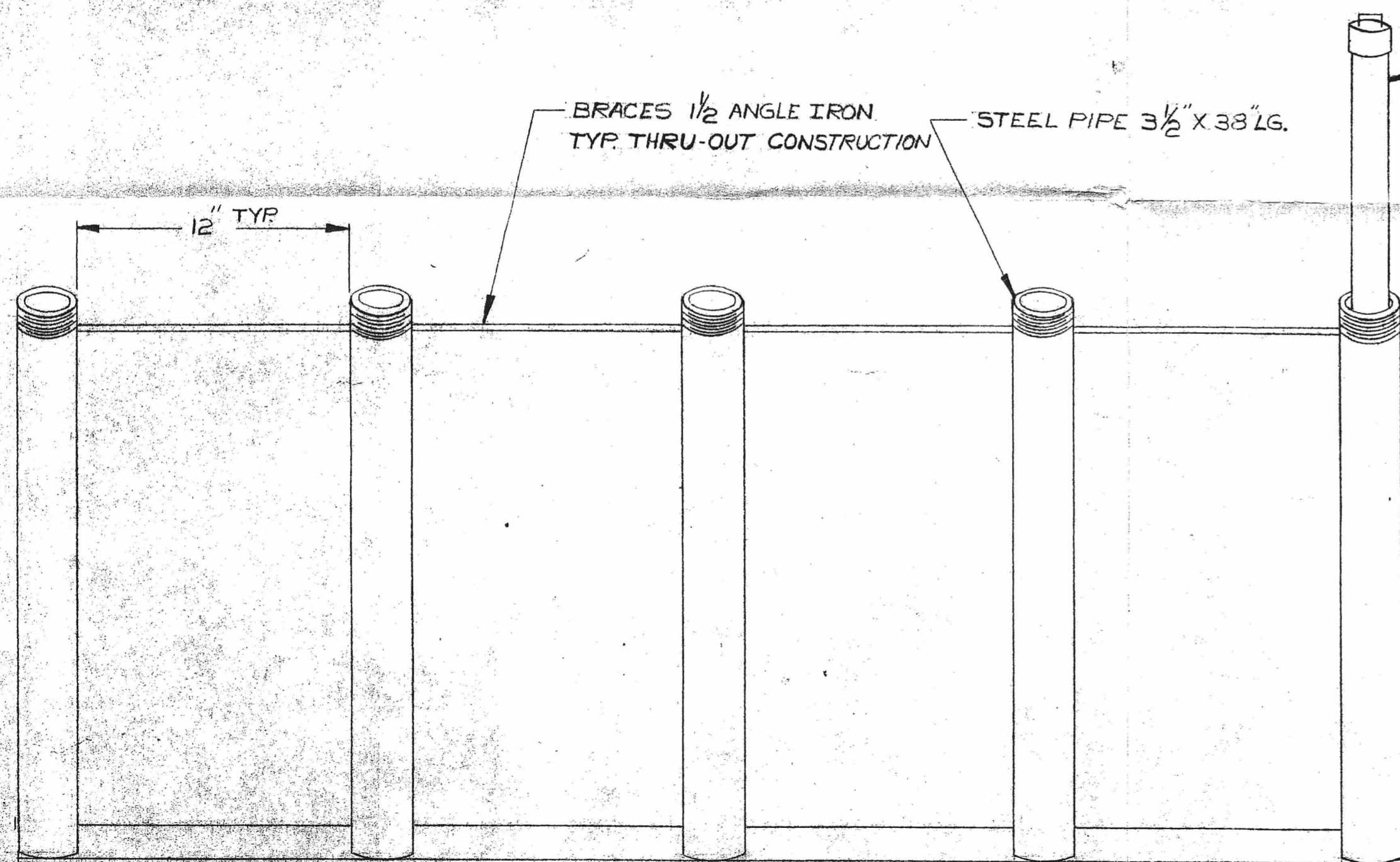
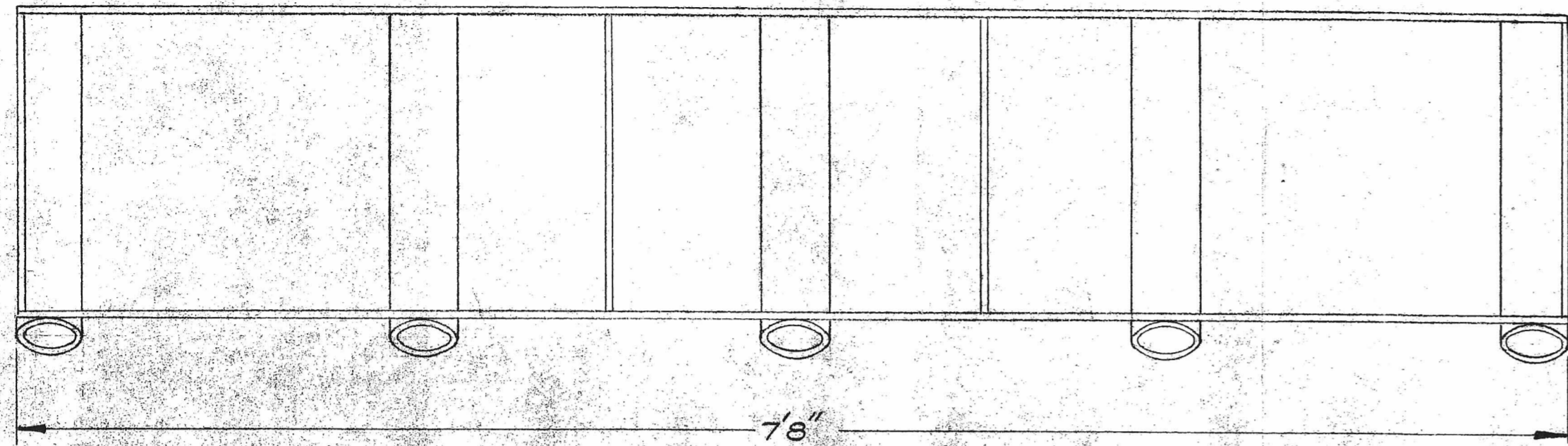


CHG. LET.	DESCRIPTION	DATE	BY	APP.	CHG. NO.
A	REMOVED CADMIUM LINER CHANGE TUBE SPACING TO 12" CHANGE BRACE FOR FLOOR MOUNTING	3/10/60	AJF		147



D-04

G-2	G-1	ITEM	DRAWING NO.	DESCRIPTION	PROJECT NO.	USED ON ASS'Y
QUANTITY		NO.				
TOLERANCES UNLESS OTHERWISE SPECIFIED			APPROVED	DATE	FINISH & SPECIFICATION	
DECIMAL		± .005	<i>[Signature]</i>	12-28-59	MATERIAL & SPECIFICATION	
FRACTIONAL		± 1/64"			TITLE	
ANGULAR		± 1/2°			STORAGE RACKS FOR FINISHED PINS	
BREAK ALL SHARP EDGES REMOVE ALL BURRS			APPROVED	DATE	SCALE	SIZE
			<i>N. Weiss</i>	12-28-59	NONE	C
ENGELHARD INDUSTRIES, INC. D. E. MAKEPEACE DIVISION ATTLEBORO, MASS.					DRAWING NO.	REV.
					50034	A