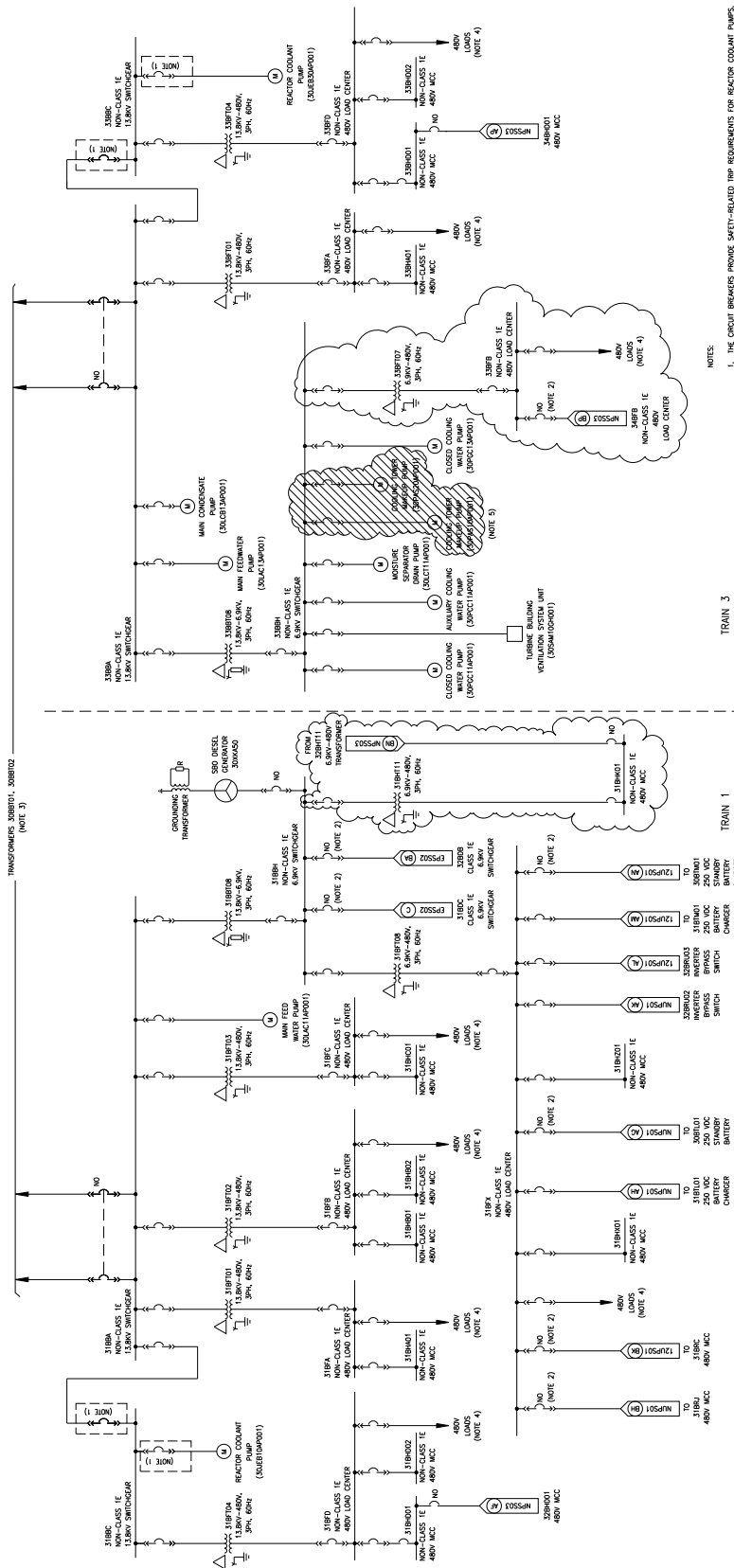


Figure 8.3-5—{Supplemental NPSS Single Line Drawing}



- NOTES:
1. THE CIRCUIT BREAKERS PROVIDE SAFETY-RELATED TRIP REQUIREMENTS FOR REACTOR COOLANT PUMPS.
 2. THE CIRCUIT BREAKERS PROVIDE SAFETY-RELATED TRIP REQUIREMENTS FOR REACTOR COOLANT PUMPS.
 3. FOR CONNECTIONS TO NORMAL AUXILIARY TRANSFORMERS SEE DWG NPSS01.
 4. TYPICAL OF ONE OF MORE.
 5. THESE LOADS HAVE BEEN WIRING TO THE 1380V LOAD CENTER.

NPSS0212

TRAIN 3

TRAIN 1