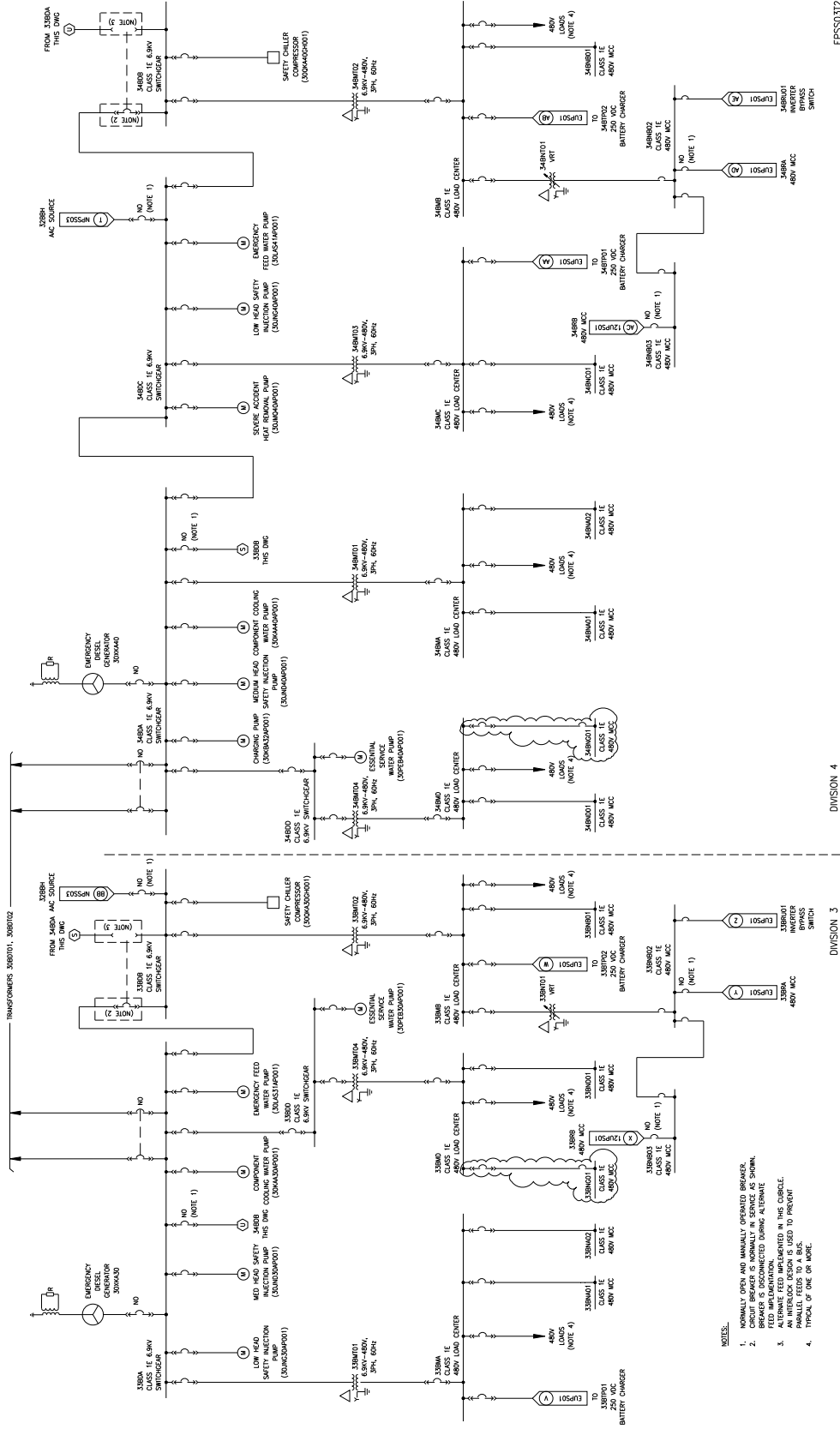


Figure 8.3.3—{Supplemental EPSS Single Line Drawing}



- NOTES:
1. NORMALLY OPEN AND MANUALLY OPERATED BREAKER.
 2. CIRCUIT BREAKER IS NORMALLY IN SERVICE AS SHOWN.
 3. ALTERNATE FEED IMPLEMENTED IN THIS CIRCULAR.
 4. AN INTERLOCK DESIGN IS USED TO PREVENT SIMULTANEOUS OPERATION OF BOTH BREAKERS.
 5. TYPICAL OF ONE OF MANY.

EPSS03T2

DIVISION 4

DIVISION 3