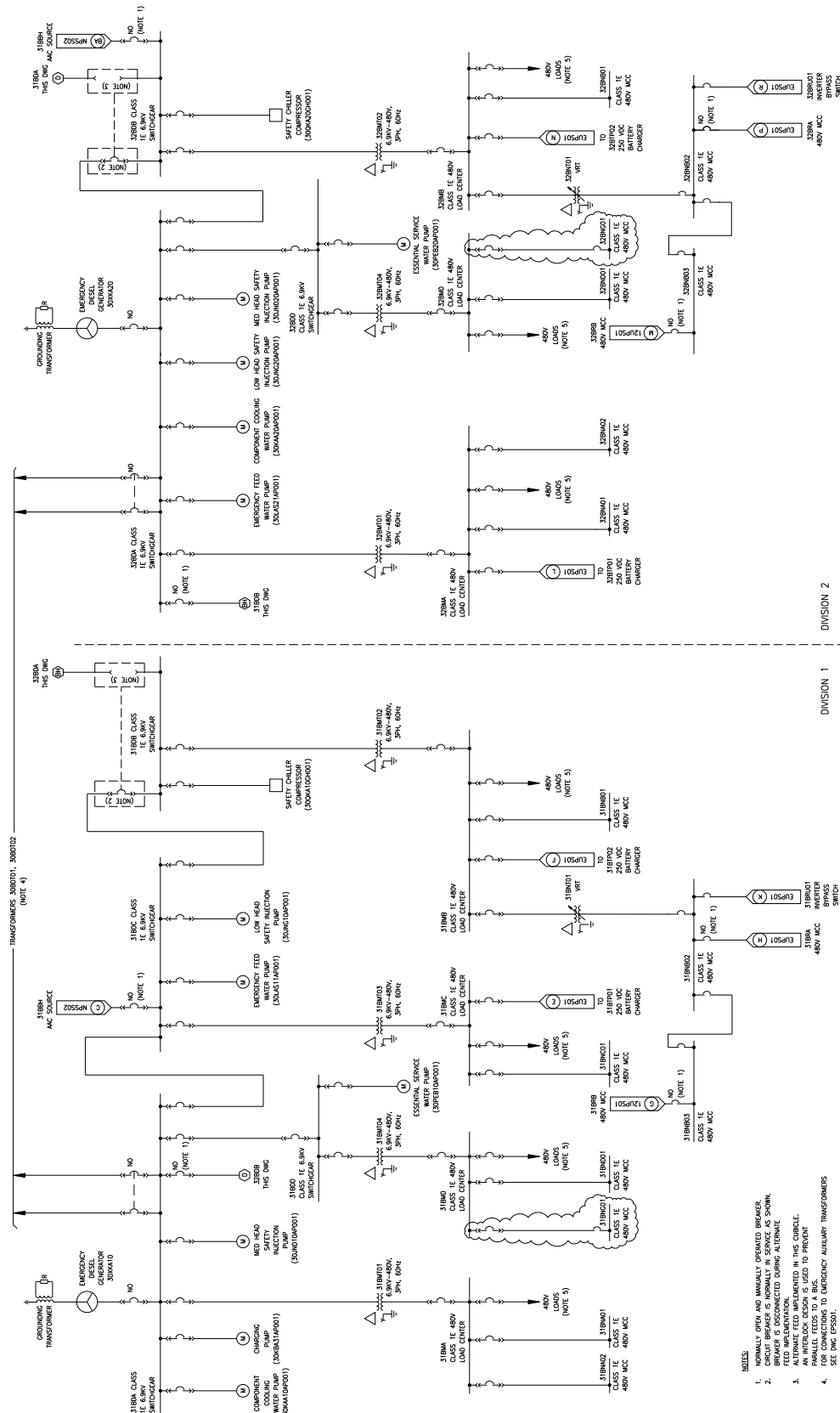


Figure 8.3-2—{Supplemental EPSS Single Line Drawing}



- NOTES:
1. NORMALLY CLOSED AND NORMALLY OPENED BREAKERS
 2. CIRCUIT BREAKER IS NORMALLY IN SERVICE AS SHOWN.
 3. BREAKER IS DISCONNECTED DURING ALTERNATE
 4. INTERLOCK DESIGN IS USED TO PREVENT
 5. PARALLEL FEEDS TO A BUS
 6. SEE DWG EPSS01.
 7. TYPICAL OF ONE OR MORE.

EPSS0212