

UNITED STATES
NUCLEAR REGULATORY COMMISSION
OFFICE OF INSPECTION AND ENFORCEMENT
WASHINGTON, D. C. 20555

SEPTEMBER 11, 1984

INFORMATION NOTICE NO. 84-36 SUPPLEMENT 1: LOOSENING OF LOCKING NUT ON
LIMITORQUE OPERATOR

Addressees:

All nuclear power reactor facilities holding an operating license (OL) or construction permit (CP).

Purpose:

This information notice is being provided to supplement Information Notice 84-36 for the purpose of assuring that loosening of locking nuts does not occur in Limatorque valve operators. The NRC expects that recipients will review this notice for applicability to their facilities. Suggestions contained in this notice do not constitute NRC requirements; therefore, no specific action or written response is required.

Description of Circumstances:

Information Notice 84-36 described events at the Hatch Nuclear Power Plant where loosening of a set screw on a locking nut on the worm gear shaft of a Limatorque operator led to backing out of a locknut and subsequent inoperability of a safety-related valve. Recent information received from the vendor indicates that the specific part affected on the SMB-4 valve actuator was Part #83 (bearing locknut, see Figure 1), which is located on the actuator worm shaft--not the worm gear shaft. An enlarged drawing showing more details of the bearing lock nut is shown in Fig. 2. The bearing lock nut performs the function of transmitting loads from the worm gear (Part #16) to the worm shaft causing axial movement of the worm shaft followed by compression of the belleville spring and activation of the torque switch. The vendor indicates that the operators at Hatch contain a unique feature that is not found in most other valve applications that resulted in the originally noted defect. These units use a ball screw valve stem instead of the valve manufacturer's conventional Acme threaded valve stem. The ball screw has the opposite hand (right-hand) thread to the standard Acme (left-hand) thread.

The significance of this difference is that unthreading of the bearing locknut could affect either the closing torque switch function when the valve is

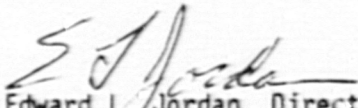
8409070254

PDR I & E Notice 84-36 840911

equipped with a right-hand stem thread or the opening torque switch function (with obstructed or overloaded disk) when the valve is equipped with a standard Acme left-hand stem thread. This is because the torque control mechanism is activated as a result of axial movement of the worm shaft due to forces generated as the valve comes to a full-close position, full-open position, or some intermediate obstructed position. Figure 2 shows the direction of movement of the worm shaft at the Hatch facility when the valve comes to a closed position.

It is recommended that holders of CPs and OLs consider this additional information for applicability in their ongoing efforts to resolve the concerns addressed in Information Notice 84-36.

No written response to this information notice is required. If there are any questions regarding this matter, please contact the Regional Administrator of the appropriate NRC regional office or this office.

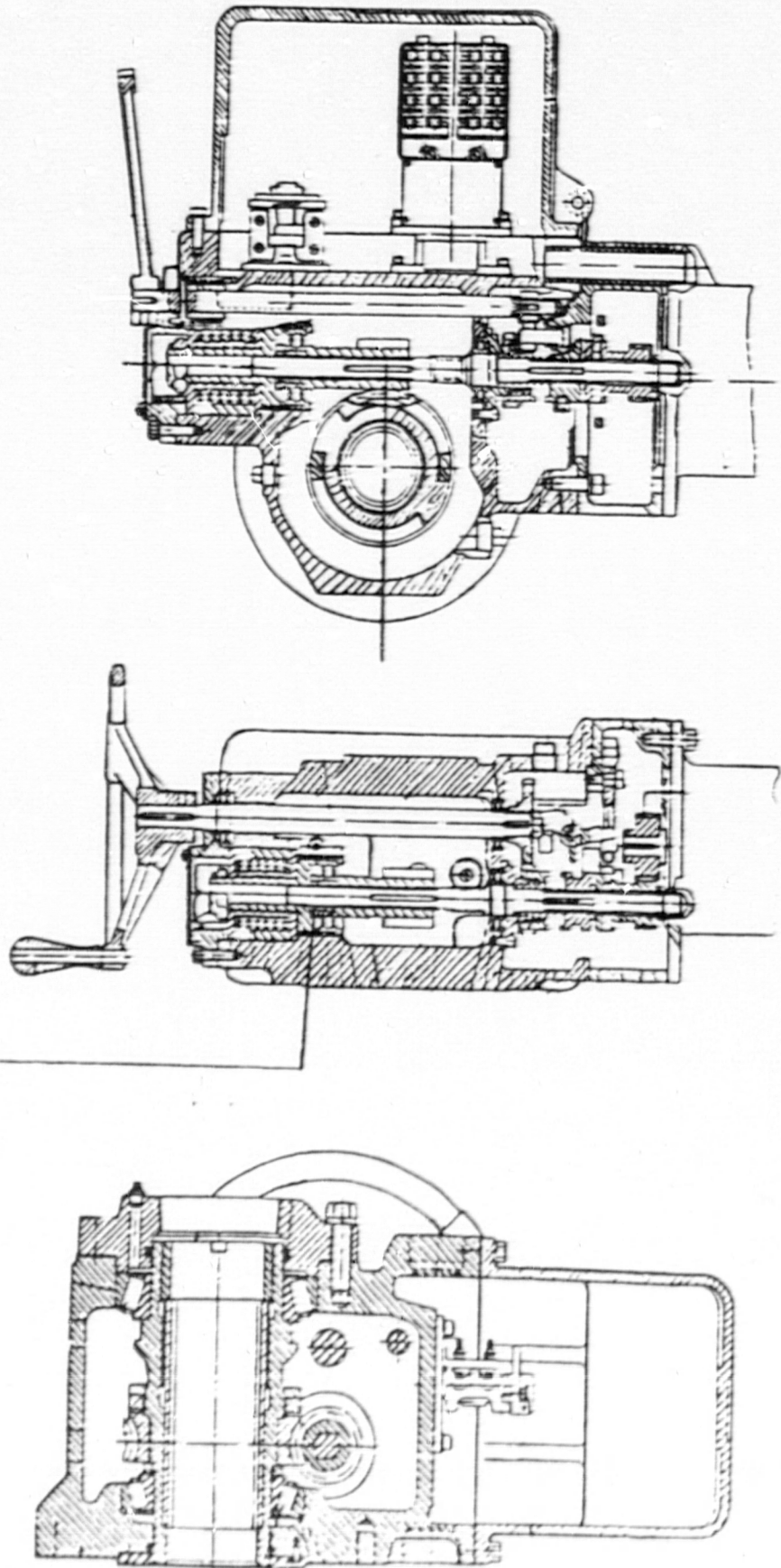

Edward L. Jordan, Director
Division of Emergency Preparedness
and Engineering Response
Office of Inspection and Enforcement

Technical Contact: John J. Zudans, IE
(301) 492-8030

Attachments:

1. Figure 1, "SMB-0 to SMB-4 & SMB-4T"
2. Figure 2, "Worm & Torque Spring Assembly"
3. List of Recently Issued IE Information Notices

Figure 1



Bearing Locknut
Part 83

WORM & TORQUE SPRING ASSEMBLY

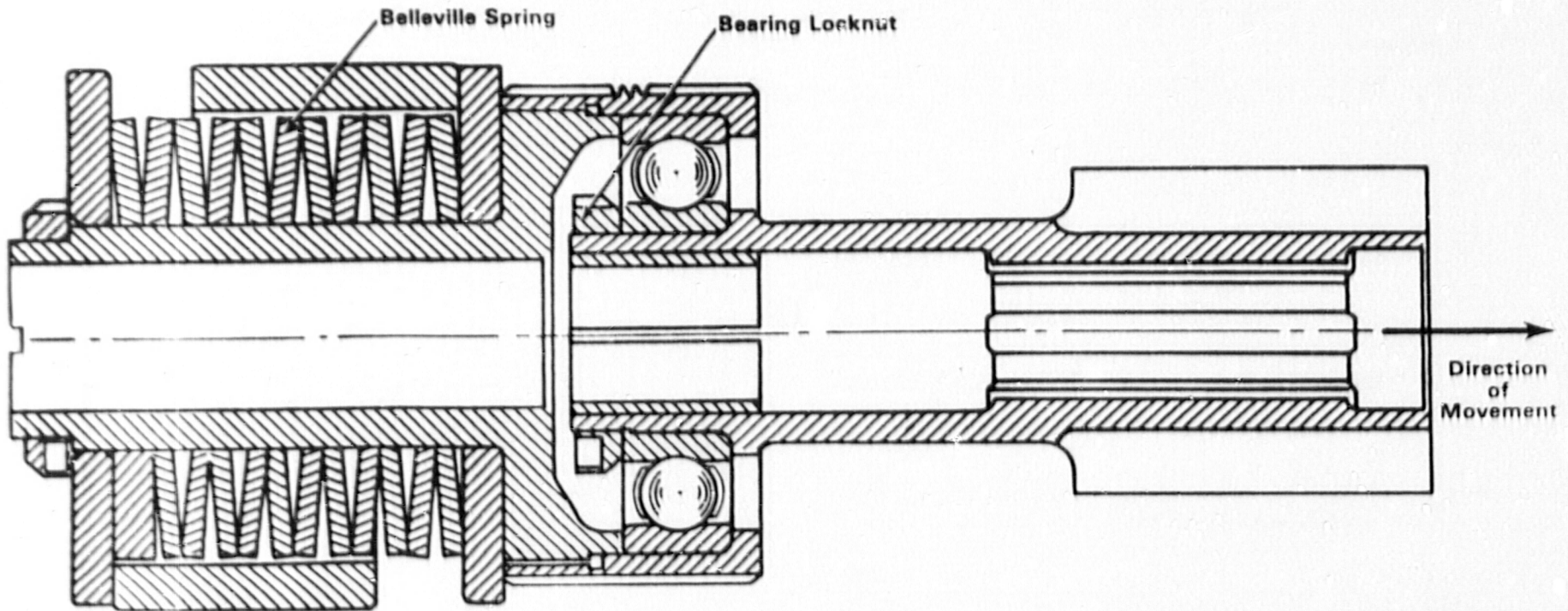


Figure 2

LIST OF RECENTLY ISSUED
 IE INFORMATION NOTICES

Information Notice No.	Subject	Date of Issue	Issued to
84-72	Clarification of Conditions For Waste Shipments Subject to Hydrogen Gas Generation	09/10/84	All power reactor facilities holding an OL or CP and users of transport packages.
84-71	Graphitic Corrosion of Cast Iron in Salt Water	09/06/84	All holders of a nuclear power reactor OL or CP.
84-70	Reliance on Water Level Instrumentation with a Common Reference Leg	09/04/84	All power reactor facilities holding an OL or CP.
84-69	Operation of Emergency Diesel Generators	08/29/84	All power reactor facilities holding an OL or CP.
84-68	Potential Deficiency in Improperly Rated Field Wiring to Solenoid Valves	08/21/84	All power reactor facilities holding an OL or CP.
84-67	Recent Snubber Inservice Testing with High Failure Rates	08/17/84	All power reactor facilities holding an OL or CP.
84-66	Undetected Unavailability of the Turbine-Driven Auxiliary Feedwater Train	08/17/84	All power reactor facilities holding an OL or CP.
84-65	Underrated Fuses Which May Adversely Affect Operation of Essential Electrical Equipment	08/16/84	All power reactor facilities holding an OL or CP.
84-64	BWR High-Pressure Coolant Injection (HPCI) Initiation Seal-In and Indication	08/15/84	All BWR licensees and applicants for an OL.
84-63	Defective RHR Replacement Piping	08/13/84	All power reactor facilities holding an OL or CP.

OL = Operating License
 CP = Construction Permit

UNITED STATES
NUCLEAR REGULATORY COMMISSION
WASHINGTON, D. C. 20555

OFFICIAL BUSINESS
PENALTY FOR PRIVATE USE \$300

FIRST CLASS MAIL
POSTAGE & FEES PAID
USMRC
WASH D C
PERMIT No. 687

XXXXXXXXXXXXXXXXXXXXXXXXXXXXXXXXXXXX

XXXXXXXXXXXXXXXXXXXXXXXXXXXXXXXXXXXX

XXXXXXXXXX

GROUP # 01 TYPE LABELS - 3
NRC: CNT = 142 BULK = 253
99999

SELECTION-00000010 SETS - 02
TOT: CNT = 2481 BULK = 2651

WO# N12
DATE COM

XXXXXXXXXXXXXXXXXXXXXXXXXXXXXXXXXXXX

XXXXXXXXXXXXXXXXXXXXXXXXXXXXXXXXXXXX

XXXXXXXXXX

GROUP # 01 TYPE LABELS - 3
NRC: CNT = 142 BULK = 253
99999

SELECTION-00000010 SETS - 02
TOT: CNT = 2481 BULK = 2651

WO# N12
DATE COM

103833092357 1 99999
BRENTWOOD BD OF SELECTMEN
RFD DALTON RD
BRENTWOOD NH 03833

103862092358 1 99999
BOARD OF SELECTMEN
TOWN HALL
SOUTH HAMPTON NH 03862

108731091409 1 99999
MAYOR OF LACEY TOWNSHIP
818 LACEY RD
FORKED RIVER NJ 08731

119320054576 1 99999
MARJORIE M AAMOOT
RD 5
COATESVILLE PA 19320

102109065679 1 99999
WILLIAM S ABBOTT
50 CONGRESS ST
SUITE 925
BOSTON MA 02109

111581092043 1 99999
S ANDIMAN
20 KALMIA LA
VALLEY STREAM NY 11581

193401094140 1 99999
ELIZABETH APFELBERG
1415 COZADERO
SAN LUIS OBISPO CA 93401

178284091690 1 99999
ROGER BESSEY
6220 CULEBRA RD
SAN ANTONIO TX 78274

149720078822 1 99999
JOANNE BIER
204 CLINTON ST
CHARLEVOIX MI 49720

265061006491 1 99999
SAMUEL J BYRK
RR #1 BOX 243
MORRISON MO 65061

111786066814 1 99999
RONALD BOMMER
PO BOX 693
SHORE HAM NY 11786

178232102930 1 99999
WILLIAM A BRANT
827 ARIZONA ASH
SAN ANTONIO TX 78232

129075023172 1 99999
B A BURSEY
RTE 1 PO BOX 92-C
LITTLE MOUNTAIN SC 29075

117057094199 1 99999
TMI-2 LICENSING
JIM J BYRNE
PO BOX 480
MIDDLETOWN PA 17057

208080000246 1 99999
DAVID A CACCIA
RD 2 BOX 70-A
SEWELL NJ 08080

103801093213 1 99999
CALVIN A CANNEY
126 DANIEL ST
PORTSMOUTH NH 03801

195030103060 1 99999
BRUCE D CAROL
17512 COMANCHE TRAIL
LOS GATOS CA 95030

101913092356 1 99999
MENDALL CLARK
DIRECTOR OF CIVIL DEFENSE
TOWN OFFICES
AMESBURY MA 01913

102038066054 1 ALAN R CLEETON 22 MACKINTOSH ST FRANKLIN	99999 MA 02038	211780005094 1 PETER COHALAN SUFFOLK COUNTY EXECUTIVE H LEE DENNISON BLDG HAUPPAUGE	99999 NY 11780
108070022113 1 ELEANOR G COLEMAN 35 K DRIVE PENNSVILLE	99999 NJ 08070	133433007620 1 ASLBP F P COWAN 6152 N VERDE TRAIL B-125 BOCA RATON	99999 FL 33433
192087093944 3 RALPH L CUMMINGS 715 PASEO PRADO ANAHEIM HILLS	99999 CA 92087	103833057219 1 JUNE M DAIGNEAULT 14 WOODLAWN CIRCLE EXETER	99999 NH 03833
147250030048 1 THOMAS M DATTILO 311 E MAIN STREET MADISON	99999 IN 47250	190803093935 1 D D DAVIS 5332 E BROADWAY LONG BEACH	99999 CA 90803
120016091407 1 NIKHIL DESAI 5308 MACARTHUR BLVD NW WASHINGTON	99999 DC 20016	185304032286 1 STEPHEN DICENSO 11837 60TH AVE GLENDALE	99999 AZ 85304
102135092306 1 JOHN F DOHERTY 318 SUMMIT AVE APT 3 BRIGHTON	99999 MA 02135	163130040077 1 LEO DREY 515 WEST POINT AVENUE UNIVERSITY CITY	99999 MO 63130
176108092288 1 STEPHEN J DRISCOLL 10730 TALL OAK DR FORT WORTH	99999 TX 76108	127705030950 1 WELLS EDDLEMAN 718-A IREDELL ST DURHAM	99999 NC 27705
118042063132 1 CHARLES W ELLIOTT 325 N 10TH ST EASTON	99999 PA 18042	127602065254 1 THOMAS ERWIN 115 W MORGAN ST PO BOX 928 RALEIGH	99999 NC 27602
270802007078 1 DORIS FALKENHEINER 355 NAPOLEON ST BATON ROUGE	99999 LA 70802	160630080001 1 JOHN J FINERTY 5055 W WINDSOR AVE CHICAGO	99999 IL 60630
185282062527 1 WILLIAM G FISHER 2039 E BROADWAY RD SUITE 112 TEMPE	99999 AZ 85282	173101093228 1 DAVID FLEISCHAKER PO BOX 1178 OKLAHOMA CITY	99999 OK 73101
293440000948 1 RAYE FLEMING 1920 MATTIE ROAD SHELL BEACH	99999 CA 93440	180210001343 1 JOHN W FLORA NUCLEAR CONSULTANT 3076 SOUTH HIGH STREET DENVER	99999 CO 80210

170116094164 L LUKE FONTANA 824 ESPLANADE AVE NEW ORLEANS	99999 LA 70116	197702056949 L ASLBP RICHARD FOSTER PO BOX 4263 SUNRIVER	99999 OR 97702
255108005172 L STEVE GADLER 2120 CARTER AVENUE ST PAUL	99999 MN 55108	193704077497 L JOHN F GIBSON 5362 N SAN PABLO APT 104 FRESNO	99999 CA 93704
211788005095 L COUNTY EXEC/LEGISLATIVE BLDG DAVID GILMARTIN ESQ SUFFOLK COUNTY ATTORNEY VETERANS MEMORIAL HIGHWAY HAUPPAUGE	99999 NY 11788	120906007628 L ASLBP A C GOODHOPE 3320 ESTELLE TERRACE WHEATON	99999 MD 20906
170119094162 L GARY L GROESCH 2257 BAYOU RD NEW ORLEANS	99999 LA 70119	229412007018 L ROBERT GUILD ESQ PO BOX 12097 CHARLESTON	99999 SC 29412
144060066628 L SUSAN L HIATT OCRE REPRESENTATIVE 8275 MUNSON RD MENTOR	99999 OH 44060	203842007123 L BEVERLY A HOLLINGWORTH 7 A STREET HAMPTON BEACH	99999 NH 03842
185040094150 L PATRICIA L HOURIHAN 6413 S 26TH ST PHOENIX	99999 AZ 85040	137402093936 L J P HOUSTRUP 911 W MAIN ST CHATTANOOGA	99999 TN 37402
170802092364 L STEPHEN M IRVING 535 NORTH 6TH STREET BATON ROUGE	99999 LA 70802	261107001584 L PHILIP B JOHNSON MRS 1907 STRATFORD LANE ROCKFORD	99999 IL 61107
137830007504 L ASLBP WALTER H JORDAN 881 W OUTER DR OAK RIDGE	99999 TN 37830	107012093831 L H C JUNG CONSULTANT 23 DIANNE CT CLIFTON	99999 NJ 07012
160540100711 L PAUL KAUFMAN 1020 BAINBRIDGE DR *BROOKDALE NAPERVILLE	99999 IL 60540	223093007073 L BOARD OF SUPERVISORS ROBERT C KLEPPER LOUISA COUNTY COURTHOUSE PO BOX 160 LOUISA	99999 VA 23093
129150091496 L MARK KNECHTEL CAINS MILL RD SUMTER	99999 PO BOX 1797 SC 29150	117319054417 L JANE LEE 183 VALLEY RD ETTERS	99999 PA 17319
127627103040 L S L LEE PO BOX 37008 RALEIGH	99999 NC 27627	119149029826 L MARVIN LEWIS 6504 BRADFORD TERRACE PHILADELPHIA	99999 PA 19149

127612102891 1 ASLBP LINDA W LITTLE 5000 HERMITAGE DR RALEIGH	99999 NC 27612	121045078882 1 FREDERICK B LOBBIN CONSULTING ENGINEER 6186 CAMPFIRE COLUMBIA	99999 MD 21045
216801006436 1 WILLIAM A LOCHSTET 119 EAST AARON DR STATE COLLEGE	99999 PA 16801	243624093361 1 TERRY LODGE 618 N MICHIGAN ST SUITE 105 TOLEDO	99999 OH 43624
219404001255 1 ARTHUR F LOEBEN MONTGOMERY COUNTY COURTHOUSE MORRISTOWN	99999 PA 19404	127514094156 1 PHYLLIS LOTCHIN 108 BRIDLE RUN CHAPEL HILL	99999 NC 27514
143229093934 1 D J McDONALD 1055 CRUPPER AVE COLUMBIA	99999 OH 43229	153711092787 1 ASLBP GARY MILHOLLIN 1815 JEFFERSON ST MADISON	99999 WI 53711
101730005908 1 DADE W MOELLER 27 WILDWOOD DR ACRS BEDFORD	99999 MA 01730	185283100640 1 JILL MORRISON 522 E COLGATE TEMPE	99999 AZ 85283
133313091361 1 EVERETT MOTT 6901 W SUNRISE BLVD FORT LAUDERDALE	99999 FL 33313	194602064659 1 B E NYE RECORDS SPECIALIST 4308 EVERETT AVENUE OAKLAND	99999 CA 94602
249664005389 1 JOHN O'NEILL II ROUTE 2 BOX 44 MAPLE CITY	99999 MI 49664	170808055135 1 ROY A PARKER 5061 ABELIA DR BATON ROUGE	99999 LA 70808
227605007047 1 TRAVIS PAYNE ESQ 723 W JOHNSON ST BOX 12643 RALEIGH	99999 NC 27605	190404091360 1 R PEREZ 2054 BROADWAY SANTA MONICA	99999 CA 90404
103051064402 1 RINA PETIT RFD 4 132 PAGE RD LITCHFIELD	99999 NH 03051	119382100821 1 JOSEPHINE M PICCONE 1119 DORSET DR WEST CHESTER	99999 PA 19382
270893007081 1 JAMES W PIERCE PO BOX 23571 BATON ROUGE	99999 LA 70893	170806091020 1 H PLETTINGER 712 CAROL MARIE DR BATON ROUGE	99999 LA 70806
140475091495 1 EARL PRICE RTE 876 RICHMOND-BYPASS POB 1500 RICHMOND	99999 KY 40475	103874093222 1 DIANA P RANDALL 70 COLLINS ST SEABROOK	99999 NH 03874

154281094044 1 GLENN A REED 163 PARK RD ACRS TWO RIVERS	99999 WI 54281	178727091034 1 JOSE ROESSET 3506 DUVAL RD AUSTIN	99999 TX 78727
115065092186 1 MELVIN RUEDIGER PO BOX 204 NATRONA HEIGHTS	99999 PA 15065	266839005470 1 MARYELLEN SALAVA ROUTE 1 BOX 56 BURLINGTON	99999 KS 66839
160416064406 1 ROBERT SAYERS RR #1 BOX 158 COAL CITY	99999 IL 60416	154303082318 1 RONALD V SCHEELE RADIATION PHYSICIST 533 W CHICKADEE LANE GREEN BAY	99999 WI 54303
160172064217 1 KEITH H SIEGEL 531 DEE LANE ROSELLE	99999 IL 60172	161820005917 1 CHESTER P SIESS 805 HAMILTON DRIVE ACRS CHAMPAIGN	99999 IL 61820
193401055316 2 SANDRA A SILVER 1760 ALISAL STREET SAN LUIS OBISPO	99999 CA 93401	119801093913 1 FRED SILVERMAN STATE SOLICITOR 820 N FRENCH ST WILMINGTON	99999 DE 19801
266205006523 1 JOHN M SIMPSON ATTORNEY FOR INTERVENORS 4350 JOHNSON DR SUITE 120 SHAWNEE MISSION	99999 KS 66205	148640021864 1 MARY SINCLAIR 5711 SOMERSET DRIVE MIDLAND	99999 MI 48640
178701094158 1 LANNY SINKIN 114 W 7TH SUITE 220 AUSTIN	99999 TX 78701	129745092706 1 PIERCE K SKINNER ROUTE 2 BOX 179N YORK	99999 SC 29745
114618022609 1 MICHAEL L SLADE 12 TRAILWOOD CIRCLE ROCHESTER	99999 NY 14618	248623005178 1 BARBARA STAMIRIS 5795 N RIVER FREELAND	99999 MI 48623
161010082236 1 A P STONE BOX D BYRON	99999 IL 61010	130144092829 1 JOHN E STORRS 3970 WESTMORELAND DR KENNESAW	99999 GA 30144
190035102091 1 ROBYN TAYLOR PO BOX 35481 LOS ANGELES	99999 CA 90035	1CANAD079706 1 CHRIS TOOMEY 37 LOCKDARE STREET--AGINCOURT ONTARIO M1S 2Z5 CANADA	99999
190064094144 1 PAUL C VALENTINE 321 LYTTON AVE PALO ALTO	99999 CA 90064	115066093230 1 RALPH F WALKER 1518 FIFTH ST NEW BRIGHTON	99999 PA 15066

260602006323	1	99999	JANE M WHICHER 109 NORTH DEARBORN CHICAGO	IL 60602	208221006299	1	99999	JOHN WILLIAMSON 211 FOREST DRIVE LINWOOD	NJ 08221
223883005666	1	99999	J L WILSON MANAGER PO BOX 315 SURRY	VA 23883	227502007046	1	99999	RICHARD D WILSON 729 HUNTER ST APEX	NC 27502
244108006126	1	99999	DANIEL D WILT PO BOX 08159 CLEVELAND	OH 44108	120015007652	1	99999	ASLBP J F WOLF 3409 SHEPHERD ST CHEVY CHASE	MD 20015
128212103017	1	99999	ACRS CHARLES J WYLIE 9610 LAWYERS RD CHARLOTTE	NC 28212	127560079702	1	99999	WILLIAM M YEAGER BOX 33 ROUTE 1 MORRISVILLE	NC 27560
205354007093	1	99999	WALTER ZALUZY CHAIRMAN-BOARD OF SELECTMAN PO BOX 116 VERNON	VT 05354	145237064624	1	99999	ACCESS CORP D E MERCHANT NORTHEAST MARKET MANAGER 4815 PARA DRIVE CINCINNATI	OH 45237
177042055303	1	99999	ACF INDUSTRIES INC WKM VALVE DIVISION R V HOPKINS MGR-RELIABILITY&PRODUCT ASSR 3563 BRIARPARK HOUSTON	TX 77042	177459091362	1	99999	ACF INDUSTRIES INC WKM DIV OTIS MACDANIEL 16500 S MAIN STREET MISSOURI CITY	TX 77459
177001053152	1	99999	ACF INDUSTRIES INC WKM VALVE DIV OTIS MCDANIEL MANAGER-QA & INSPECTION PO BOX 2117 HOUSTON	TX 77001	101720091364	1	99999	ACTON ENVIRON TESTING CORP R S COWDREY PRESIDENT 533 MAIN STREET ACTON	MA 01720
115108091238	1	99999	ACUREX CORP PENTEK DIV K E SWATRAUBER 1026 FORTH AVE CORAPOLIS	PA 15108	130328093994	1	99999	ADVANCED TECHNOLOGY INC 1140 HAMMOND DR SUITE 1110 ATLANTA	GA 30328
122102092350	1	99999	ADVANCED TECHNOLOGY INC UTILITY PROGRAMS G NEIL MIDKIFF 7923 JONES BRANCH RD SUITE 500 MCCLEAN	VA 22102	172203063658	1	99999	AFCO STEEL INC ROBERT F DATES QA MANAGER 1423 E 6TH ST PO BOX 231 LITTLE ROCK	AR 72203
219002006465	1	99999	AIR & WATER POLLUTION PATROL FRANK R ROMANO CHAIRMAN 61 FOREST AVENUE AMBLER	PA 19002	121219091366	1	99999	AIRCO WELDING PRODUCTS JOSEPH HEIDELMAIER QA MANAGER 5301 N PT BLVD POB 6686 BALTIMORE	MD 21219
136130091832	1	99999	ALABAMA CIVIL DEFENSE DEPT DAN TURNER DIRECTOR 64 N UNION ST MONTGOMERY	ADMIN BLDG AL 36130	236104005842	1	99999	ALABAMA DEPT OF PUBLIC HEALTH STATE HEALTH OFFICER STATE OFFICE BUILDING MONTGOMERY	AL 36104

13613005611	1	99999	ALABAMA DEPT OF PUBLIC HEALTH ENVIRONMENTAL HEALTH ADMIN AUBREY GODWIN CHIEF-BUREAU OF RAD HEALTH 510 STATE OFC BLDG MONTGOMERY	AL	36130
136319080531	1	99999	ALABAMA POWER CO FARLEY 1 NPS PLANT MANAGER COLUMBIA	AL	36319
135291006787	1	99999	ALABAMA POWER CO POWER GENERATION R P McDONALD SR VICE PRESIDENT PJ BOX 2641 BIRMINGHAM	AL	35291
199811091840	1	99999	ALASKA ENVIRON CONSERV DEPT RICHARD A NEVE POUCH O JUNEAU	AK	99811
136331091368	1	99999	ALFAB INC BRUCE GRANTHAM QA MANAGER PO BOX 1334 ENTERPRISE	AL	35331
129812025953	1	99999	ALLIED GENERAL NUC SERVICES J A BJCKHAM PJ BOX 847 BARNWELL	SC	29812
117405091370	1	99999	ALLIS CHALMERS CORP VALVE DIV K L SHEAFFER QA MANAGER LINCOLN & HARTLEY STS YORK	PA	17405
153024052919	1	99999	AMERACE CORP CONTROL PRODUCTS DIVISION R J BERTLING 100 HICKORY STREET 100 HICKORY STREET GRAFTON	WI	53024
138012091374	1	99999	AMERICAN AIR FILTER CO INC JAMES LAWRENCE QA ENGR SUPERVISOR 2000 TAMM ST BROWNSVILLE	TN	38012
102862091376	1	99999	AMERICAN INSULATED WIRE CORP W H FIRTH QA MANAGER 36 FREEMAN ST PAWTUCKET	RI	02862
143537091377	1	99999	AMERICAN WARMING & VENT INC DONALD SLOAN QA MANAGER 1310 INDIAN WOOD CIRCLE MAUMEE	OH	43537
236420006551	1	99999	ALABAMA ELECTRIC CO CHARLES R LOWMAN PO BOX 550 ANDALUSIA	AL	36420
136319080842	1	99999	ALABAMA POWER CO FARLEY 2 NPS PLANT MANAGER COLUMBIA	AL	36319
135203074289	1	99999	ALABAMA POWER CO NUCLEAR GENERATION C H MUDD DOCUMENT CONTROL SUPERVISOR 600 N 18TH ST BIRMINGHAM	AL	35203
198124091367	1	99999	ALASKAN COPPER WORKS STAINLESS STEEL DIV DONALD ROSEN QA MANAGER 3200 6TH AVE SOUTH SEATTLE	WA	98124
107006079661	1	99999	ALISON CONTROL INC JAMES D MICELI DIRECTOR OF MARKETING 35 DANIEL ROAD WEST FAIRFIELD	NJ	07006
129812030871	1	99999	ALLIED GENERAL NUC SERVICES M L ROGELL PJ BOX 847 BARNWELL	SC	29812
117405091371	1	99999	ALLIS CHALMERS CORP VALVE DIV JAMES THOMPSON LINCOLN & HARTLEY STS POB 493 YORK	PA	17405
153024091373	1	99999	AMERACE CORP CONTROL PRODUCTS DIV MEL Q MARTIN QA MANAGER 100 HICKORY ST GRAFTON	WI	53024
111763091375	1	99999	AMERICAN ENVIRONMENTS CO INC 17 COMMERCIAL BLVD MEDFORD	NY	11763
106032031448	2	99999	AMERICAN NUCLEAR INSURERS LIBRARY DOTTY SHERMAN 270 FARMINGTON AVE SUITE 245 FARMINGTON	CT	06032
119020091378	1	99999	AMETEK INC SCHUTTE & KOERTING DIV THOMAS BAILEY QA DIRECTOR 2233 STATE RD CORNWELL HEIGHTS	PA	19020

192021053502 1 99999
AMETEK INC
STRAZA DIV
WENDELL J PEET
QA DIRECTOR
790 GREENFIELD DRIVE
EL CAJON CA 92021

106830091710 1 99999
ANACONDA-ERICSSON INC
WIRE & CABLE DIV
GREENWICH OFFICE PARK 3
POB 3110
GREENWICH CT 06830

146240101732 1 99999
ANACONDA-ERICSSON INC
UMI HEADQUARTERS
TING H LING
901 E 86TH ST PO BOX 40856
INDIANAPOLIS IN 46240

117701002849 1 99999
ANCHOR DARLING VALVE CO
W G KNECHT
TECHNICAL DIRECTOR
701 FIRST ST
WILLIAMSPORT PA 17701

194402052923 1 99999
ANCHOR DARLING VALVE CO
SALES DIVISION
R T MEEK
VICE PRESIDENT
1650 S AMPHLETT BLVD #319
SAN MATEO CA 94402

177036052925 1 99999
ANDERSON GREENWOOD & CO
FRANK PIZZITOLA
QUALITY DIRECTOR
5425 SOUTH RICE AVE
HOUSTON TX 77036

163118094226 1 99999
ANHEUSER-BUSCH CO
ENVIRON ENGR & RESOURCES
ROBERT WACHTER
ONE BUSCH PL
ST LOUIS MO 63118

260935001635 1 99999
APPLESEED COORDINATOR
BRIDGET L ROEM
117 NORTH LINDEN STREET
ESSEX IL 60935

129115055443 1 99999
APPLIED ENGINEERING CO INC
NUCLEAR PROJECTS MANAGER
PO BOX 1327
ORANGEBURG SC 29115

194303056998 1 99999
APTECH ENGINEERING SERVICES
STEVE A LEFTON
795 SAN ANTONIO ROAD
PALO ALTO CA 94303

183401002213 1 99999
ARGONNE NATIONAL LABORATORY
IDAHO FACILITIES
LIBRARIAN
P O BOX 2528
IDAHO FALLS ID 83401

117404052922 1 99999
ANACONDA CO
CONTINENTAL WIRE AND CABLE COR
QUALITY ASSURANCE MANAGER
GULTON ROAD
YORK PA 17404

146952000017 1 99999
ANACONDA-ERICSSON INC
WIRE & CABLE DIV
DAVID O BOSTROM
PO BOX 188-E 8TH ST
Q A DEPT
MARION IN 46952

117701091379 1 99999
ANCHOR DARLING VALVE CO
J J CHAPPELL
QA DIRECTOR
PO BOX 3428
WILLIAMSPORT PA 17701

117701091380 1 99999
ANCHOR DARLING VALVE CO
G W KNIESER
QA MANAGER
701 FIRST ST PO BOX 3428
WILLIAMSPORT PA 17701

177401081434 1 99999
ANDERSON GREENWOOD & CO
INDUSTRIAL PRODUCTS DIVISION
D S BISHOP
PO BOX 1097
BELLAIRE TX 77401

106877031780 1 99999
ANEFCO INC
J D MURPHY
904 ETHAN ALLEN HIGHWAY
RIDGEFIELD CT 06877

11717081551 1 99999
ANSALDO SPA DBGV
TULLIO BADINO
DQP MANAGER
VIALE SARCA 336
MILANO 20126 ITALY

195030065339 1 99999
APPLIED ENGINEERING ASSOC
ROBERT PETROKAS
PRESIDENT
15425 LOS GATOS BLVD
LOS GATOS CA 95030

129115052926 1 99999
APPLIED ENGINEERING CO INC
STEVEN METTA
QA MANAGER
1525 CHARLESTOWN ROAD
ORANGEBURG SC 29115

117851091381 1 99999
ARCOS CORP
WILLIAM WIEHE
QA MANAGER
RTE 51 E 64
MT CARMEL PA 17851

160439002189 1 99999
ARGONNE NATIONAL LABORATORY
IRA CHARAK
9700 SOUTH CASS AVE
BLDG 301
ARGONNE IL 60439

160439005948 1 99999
ARGONNE NATIONAL LABORATORY
R W WEEKS
9700 SOUTH CASS AVENUE
ARGONNE IL 60439

185043055307 1 99999
ARGONNE NATIONAL LABORATORY
OFFICE OF OPERATIONAL SAFETY
EDWARD A WIMUNC
9700 S CASS AVENUE
ARGONNE IL 60443

185007094149 1 99999
ARIZONA ECON PLAN & DEVEL OFF
ENERGY PROGRAMS
MARGARET WALKER
DEPUTY DIRECTOR
1700 W WASHINGTON
PHOENIX AZ 85007

185001080503 1 99999
ARIZONA PUBLIC SERVICE CO
PALO VERDE 2 NPS
PLANT MANAGER
PHOENIX AZ 85001

185001080502 1 99999
ARIZONA PUBLIC SERVICE CO
PALO VERDE 3 NPS
PLANT MANAGER
PHOENIX AZ 85001

185036080504 1 99999
ARIZONA PUBLIC SERVICE CO
PALO VERDE NGS
JOE BYNUM
PO BOX 21666
6125
PHOENIX AZ 85036

185036002947 1 99999
ARIZONA PUBLIC SERVICE CO
NUCLEAR
E E VAN BRUNT JR
PO BOX 21666
3003
PHOENIX AZ 85036

185281064198 1 99999
ARIZONA RADIAT REGULATORY AGCY
CHARLES F TEOFORD
DIRECTOR
925 S 52ND ST
SUITE 2
TEMPE AZ 85281

172201002410 1 99999
ARKANSAS DEPT OF HEALTH
RADIATION CONTRL PROGS
E F WILSON
DIRECTOR
4815 W MARKHAM ST
LITTLE ROCK AR 72201

272801007100 1 99999
ARKANSAS NUC PLAN & RESPONSE
CHRIS MEYER
CHIEF PLANNER/SUPERVISOR
PO BOX 1749
RUSSELLVILLE AR 72801

172801080569 1 99999
ARKANSAS POWER & LIGHT CO
ARKANSAS 1 NPS
PLANT MANAGER
PO BOX 608
RUSSELVILLE AR 72801

172801080570 1 99999
ARKANSAS POWER & LIGHT CO
ARKANSAS 2 NPS
PLANT MANAGER
PO BOX 608
RUSSELVILLE AR 72801

172203093192 1 99999
ARKANSAS POWER & LIGHT CO
NUCLEAR OPERATIONS
VICE PRESIDENT
PO BOX 551
LITTLE ROCK AR 72203

172801064687 1 99999
ARKANSAS POWER & LIGHT CO
JESSALYN DAVIS
OFFICE SVCS SUPERVISOR
PO BOX 608
RUSSELLVILLE AK 72801

172203005004 1 99999
ARKANSAS POWER & LIGHT CO
ENERGY SUPPLY
JOHN M GRIFFIN
SR VICE PRESIDENT
PO BOX 551
LITTLE ROCK AR 72203

172801079376 1 99999
ARKANSAS POWER & LIGHT CO
ARKANSAS NUCLEAR ONE
JAMES M LEVINE
PLANT MANAGER
PO BOX 608
RUSSELLVILLE AR 72801

172203009220 1 99999
ARKANSAS POWER & LIGHT CO
ENERGY SUPPLY
JOHN R MARSHALL
MANAGER-LICENSING
PO BOX 551
LITTLE ROCK AR 72203

132785052928 1 99999
ARMCO INC
STAINLESS STEEL DIV
ROBERT W SCHULTZ
QUALITY ASSURANCE SUPV
RT 2 BOX 1A
WILDWOOD FL 32785

195003067159 1 99999
ARREMONY ASSOCIATES
NDE SUPPORT SERVICES
DON ARREMONY
3060 VALENCIA AVE SUITE G8
APTOS CA 95003

120853079690 1 99999
ARTHUR M CARTER JR & ASSOC
14632 CROSSWAY RD
ROCKVILLE MD 20853

244047006445 1 99999
ASHTABULA COUNTY
JOHN S CARDINAL
PROSECUTING ATTORNEY
COUNTY COURTHOUSE
JEFFERSON OH 44047

190224052929 1 99999
ASSOC PIPING & ENGINEERING CO
DIV OF JOHNSON CONTROLS
1707 W COMPTON BLVD
COMPTON CA 90224

184015052930 1 99999
ASSOC PIPING & ENGINEERING CO
T J JONES
VICE PRESIDENT
851 FREEPORT INDUSTRIAL PKWY
CLEARFIELD UT 84015

265801005183 1 99999
ASSOCIATED ELEC COOP INC
GERALD F DIDDLE
GENERAL MANAGER
PO BOX 754
SPRINGFIELD MO 65801

107013055837 1 99999
ASSOCIATED TECHNOLOGIES INC
T RALLO
1200 ROUTE 46
CLIFTON NJ 07013

106001093754 1 99999
ATCOR ENGINEERING SYSTEMS INC
CHEM NUCLEAR DIV
135 DARLING DR
AVON CT 06001

130076094472 1 99999
ATLAN-TECH INC
JOHN S QUILLIN
PJ BOX 767577
ROSWELL GA 30076

123502056821 1 99999
ATLANTIC NUCLEAR SERVICES INC
ALAN SONNER
PO BOX 12716
NORFOLK VA 23502

122065091385 1 99999
ATLAS MACHINE & IRON WORKS
LEN DUCHARME
QA MANAGER
7308 WILLINGTON RD
GAINSVILLE VA 22065

ITAIWA067161 1 99999
ATOMIC ENERGY COUNCIL
HAO LEE YU
ADMINISTRATOR
67 LANE 144 KEELUNG RD SEC 4
TAIPEI 107 TAIWAN

ICANAD056819 1 99999
ATOMIC ENERGY OF CANADA LTD
CANOU OPERATIONS
LIBRARY
1155 RUE METCALFE
2ND FLOOR
MONTREAL QUEBEC CANADA

120814040062 1 99999
ATOMIC INDUSTRIAL FORUM
TECHNICAL DEPT
PATRICK C HIGGINS
MANAGER
7101 WISCONSIN AVENUE
BETHESDA MD 20814

101970091386 1 99999
ATWOOD & MORRILL CO INC
V W TONEATTI
CORP QA MANAGER
285 CANAL ST
SALEM MA 01970

130224091382 1 99999
ASSOC PIPING & ENGINEERING CO
JOHNSON CONTROLS DIV
R L JORDON
QA MANAGER
1707 W COMPTON BLVD POB 4309
COMPTON CA 90224

133704094263 1 99999
ASSOCIATED POWER SYSTEMS INC
JOHN R ZILKA
VICE PRESIDENT OPERATIONS
1325 SNELL ISLE BLVD
SUITE 218
ST PETERSBURG FL 33704

194043091235 1 99999
ASTRON RESEARCH & ENGINEERING
GARY ADAMS
2028 OLD MIDDLEFIELD WAY
MOUNTAIN VIEW CA 94043

130603081899 1 99999
ATHENIANS FOR CLEAN ENERGY
TOM CLEMENTS
PO BOX 47
ATHENS GA 30603

108232092197 1 99999
ATLANTIC CITY ELECTRIC CO
M I HARLACHER
VICE PRESIDENT-ENGINEERING
1199 BLACK HORSE LKE
PLEASANTVILLE NJ 08232

107012091384 1 99999
ATLAS INDUSTRIAL MFG CO
HARRELL HOLLOWAY
QA MANAGER
81 SOMERSET PL
CLIFTON NJ 07012

ICANAD091227 1 99999
ATOMIC ENERGY CONTROL BOARD
DIRECTORATE OF REACTOR REGULAT
G ISHACK
PO BOX 1046
OTTAWA K1P 5S9 CANADA

IEGYPT055990 1 99999
ATOMIC ENERGY ESTABLISHMENT
F H HAMMAD
ADMINISTRATOR
101 KASR ELEINY ST
CAIRO EGYPT

ICANAD100774 1 99999
ATOMIC ENERGY OF CANADA LTD
JOEL LIEDERMAN
1600 DORCHESTER BLVD WEST
H3H 1P9
MONTREAL QUEBEC CANADA

191304005355 1 99999
ATOMICS INTERNATIONAL
PO BOX 309
CANOSA PARK CA 91304

144147094450 1 99999
AUTOMATIC SPRINKLER CORP
MARK HUTCHINSON
PO BOX 180
BROADVIEW HEIGHTS OH 44147

107932079111	1	99999	AUTOMATIC SWITCH CO WILLIAM M BROWN SUPERVISOR-GOVT & NUCLEAR SALE HANOVER ROAD FLORHAM PARK	NJ	07932
107932091387	1	99999	AUTOMATIC SWITCH CO L S OLSEN QC MANAGER 50-56 HANOVER RD FLORHAM PARK	NJ	07932
120910091388	1	99999	AUTOMATION INDUSTRIES INC VITRO DIV JAMES DOUGHERTY QA MANAGER 14000 GEORGIA AVE SILVER SPRING	MD	20910
120910091387	1	99999	ICANADO53197 B & W CANADA LTD GALT ONTARIO	CANADA	
162249052949	1	99999	B LINE SYSTEMS INC DONALD MATLOCK QA MANAGER 509 WEST MONROE STREET HIGHLAND	IL	62249
144203052935	1	99999	BABCOCK & WILCOX CO NED-BW0228 PO BOX 271 BARBERTON	OH	44203
124505001577	1	99999	BABCOCK & WILCOX CO RESEARCH & DEVELOPMENT DIV LICENSE ADMINISTRATOR PO BOX 1260 LYNCHBURG	VA	24505
124505006467	4	99999	BABCOCK & WILCOX CO TECHNICAL LIBRARY PO BOX 1260 LYNCHBURG	VA	24505
120814001431	1	99999	BABCOCK & WILCOX CO POWER GENERATION DIV R B BORSUM 7910 WOODMONT AVE SUITE 220 BETHESDA	MD	20814
124505091714	1	99999	BABCOCK & WILCOX CO NUCLEAR MATERIALS DIV J FICOR QA MANAGER PO BOX 1260 LYNCHBURG	VA	24505
144601081396	1	99999	BABCOCK & WILCOX CO ALLIANCE RESEARCH CTR E H FISHER 1562 BEESON ST ALLIANCE	OH	44601
147620091712	1	99999	BABCOCK & WILCOX CO L R HUTCHINSON QA MANAGER HWY 69 SOUTHWEST MOUNT VERNON	IN	47620
115613091390	1	99999	BABCOCK & WILCOX CO NUCLEAR MATLS DIV J D LINT QA MANAGER 609 N WARREN AVE APOLLO	PA	15613
124505091713	1	99999	BABCOCK & WILCOX CO NUCLEAR POWER GENERATION A L MCKINNEY QA MANAGER PO BOX 1260 LYNCHBURG	VA	24505
144203091711	1	99999	BABCOCK & WILCOX CO ROD NOWLES QA MANAGER 20 S VAN BUREN AVE BARBERTON	OH	44203
124505001578	1	99999	BABCOCK & WILCOX CO LICENSING NP GEN DIV J H TAYLOR PO BOX 1260 LYNCHBURG	VA	24505
224505001345	1	99999	BABCOCK & WILCOX CO BELLEFONTE E G WARD SENIOR PROJECT MANAGER PO BOX 1260 LYNCHBURG	VA	24505
124505093375	1	99999	BABCOCK & WILCOX CO WPPSS PROJECTS D C WINTERICH SR PROJECT MANAGER PO BOX 1260 LYNCHBURG	VA	24505
124505080963	1	99999	BABCOCK & WILCOX CO VIRGINIA OPERATIONS D W ZEFF MANAGER-MATERIALS & FACILITIES PO BOX 800 LYNCHBURG	VA	24505
174112091391	1	99999	BADGER METER INC DENNY THOMPSON 6116 E 15TH ST TULSA	OK	74112
144092091392	1	99999	BAILEY CONTROLS CO GARY COLE QA DIRECTOR 29801 EUCLID AVE WICKLIFFE	OH	44092
144092079497	1	99999	BAILEY CONTROLS CO BRUCE J FEIKLE MANAGER-PRODUCT ASSURANCE ENGR 29801 EUCLID AVE 208 WICKLIFFE	OH	44092

177002065267 1 99999
BAKER & BOTTS
MELBERT D SCHARTZ
ONE SHELL PLAZA
HOUSTON TX 77002

235201005824 1 99999
BALCH BINGHAM BAKER & HAWTHORN
ROBERT A BUETTNER
PO BOX 306
BIRMINGHAM AL 35201

121203081567 1 99999
BALTIMORE GAS & ELECTRIC CO
GENERAL SERVICES
NORMAN BOWMAKER
VICE PRESIDENT
PO BOX 1475
BALTIMORE MD 21203

221203005869 1 99999
BALTIMORE GAS & ELECTRIC CO
D A BRUNE
GENERAL COUNSEL
PO BOX 1475
BALTIMORE MD 21203

120657006431 1 99999
BALTIMORE GAS & ELECTRIC CO
QUALITY ASSURANCE DEPARTMENT
S M DAVIS
SUPERVISOR
CALVERT CLIFFS NUC PWR PLANT
LUSBY MD 20657

120657063178 1 99999
BALTIMORE GAS & ELECTRIC CO
TRAINING & TECHNICAL SERVICES
R E DENTON
GENERAL SUPERVISOR
CALVERT CLIFFS NPS
LUSBY MD 20657

121203081568 1 99999
BALTIMORE GAS & ELECTRIC CO
SECURITY SERVICES
R C DERVOGA
GENERAL SUPERVISOR
PO BOX 1475
BALTIMORE MD 21203

221203005875 1 99999
BALTIMORE GAS & ELECTRIC CO
QUALITY ASSURANCE DEPT
R M DOUGLASS
FORT SMALLWOOD ROAD COMPLEX
BOX 1475
BALTIMORE MD 21203

121203006139 1 99999
BALTIMORE GAS & ELECTRIC CO
SUPPLY
A E LONOVALL
VICE PRESIDENT
PO BOX 1475
BALTIMORE MD 21203

121203101271 1 99999
BALTIMORE GAS & ELECTRIC CO
RICHARD OLSON
PO BOX 1475 G&E BLDG
RM 922
BALTIMORE MD 21203

120657094453 1 99999
BALTIMORE GAS & ELECTRIC CO
CALVERT CLIFFS NUCLEAR PLANT
JOHN ROSS
SECURITY SCREENING UNIT
LUSBY MD 20657

120657002981 1 99999
BALTIMORE GAS & ELECTRIC CO
CALVERT CLIFFS NUCLEAR PLANT
L B RUSSELL
PLANT SUPERINTENDENT
LUSBY MD 20657

220657007021 1 99999
BALTIMORE GAS & ELECTRIC CO
CALVERT CLIFFS NPS
J A TIERNAN
MANAGER-NUCLEAR POWER DEPT
MARYLAND RTES 2 & 4
LUSBY MD 20657

121203079435 3 99999
BALTIMORE GAS & ELECTRIC CO
J A TIERNAN
MANAGER-NUCLEAR POWER
PO BOX 1475 CHARLES CENTER
LUSBY MD 21203

195060063660 1 99999
BARON & ASSOCIATES INC
STEPHEN L BARON
207 MISSION STREET
SANTA CRUZ CA 95060

191749091393 1 99999
BARTON INSTRUMENTS
JEAN DWYER
QA MANAGER
900 S TURNBULL CANYON RD
CITY OF INDUSTRY CA 91749

191749052940 1 99999
BARTON INSTRUMENTS
UNIT OF ITT
G R WELT
QA DIRECTOR
900 SOUTH TURNBULL CANYON RD
CITY OF INDUSTRY CA 91749

143201102094 1 99999
BATTELLE COLUMBUS LAB
QUALITY ASSURANCE DEPT
CLARENCE WILLIAMS
MANAGER
505 KING AVE
COLUMBUS OH 43201

299352006415 1 99999
BATTELLE PACIFIC NORTHWEST LAB
WALT APLEY
C/O MAX CLAUSEN
BATTELLE BLVD-SIGMA IV BLDG
RICHLAND WA 99352

143201064637 1 99999
BATTELLE PROJECT MANAGEMENT
PROJECT REQUEST DIV
505 KING AVE
COLUMBUS OH 43201

137830094195 1 99999
BECHTEL NATIONAL INC
VAL BOUCHARD
PO BOX 350
DAKRIDGE TN 37830

194119030848 1 99999
BECHTEL POWER CORP
CHIEF LIBRARIAN
PO BOX 3965
SAN FRANCISCO CA 94119

294119006457 1 99999
BECHTEL POWER CORP
PROJECT MANAGER
50 BEALE STREET PO BOX 3965
SAN FRANCISCO CA 94119

148104001113 1 99999
BECHTEL POWER CORP
CENTRAL LIBRARY
LIBRARIAN
777 E EISENHOWER PKWY
ANN ARBOR MI 48104

177252006455 3 99999
BECHTEL POWER CORP
LIBRARY
JEAN ADAMS
PO BOX 2166
SL-C519
HOUSTON TX 77252

294119006280 1 99999
BECHTEL POWER CORP
J M ASHLEY
PO BOX 3965
SAN FRANCISCO CA 94119

194119064588 1 99999
BECHTEL POWER CORP
M H BRUINS
STAFF ASST ADMIN SVCS
PO BOX 3965
SAN FRANCISCO CA 94119

120877026694 1 99999
BECHTEL POWER CORP
NANCY G CHAPMAN
15740 SHADY GROVE RD
GAITHERSBURG MD 20877

190650082510 1 99999
BECHTEL POWER CORP
DOCUMENT PROCESSING LAPD
EDNA DOMKOWSKI
12400 E IMPERIAL HWY
BLDG 44
NORWALK CA 90650

148106052944 1 99999
BECHTEL POWER CORP
J I DJTSON
PROJECT MANAGER
POST OFFICE BOX 1000
ANN ARBOR MI 48106

148016091396 1 99999
BECHTEL POWER CORP
ANN ARBOR POWER DIV
W D GREENWELL
DIV QA MANAGER
PO BOX 1000
ANN ARBOR MI 48016

190060001126 1 99999
BECHTEL POWER CORP
LOS ANGELES POWER DIVISION
JEAN GREGORY
LIBRARIAN
TERMINAL ANNEX PO BOX 60860
LOS ANGELES CA 90060

277001007067 1 99999
BECHTEL POWER CORP
D W HALLIGAN
PO BOX 2166
HOUSTON TX 77001

120877064676 1 99999
BECHTEL POWER CORP
F P JONES
SUPERVISOR REC MGMT
15740 SHADY GROVE ROAD
GAITHERSBURG MD 20877

120877006748 1 99999
BECHTEL POWER CORP
QA DEPT
D C KANSAL
15740 SHADY GROVE ROAD
JAI
GAITHERSBURG MD 20877

194119064719 1 99999
BECHTEL POWER CORP
D H LANIER
PROJECT ADMINISTRATOR-SUPP GRP
PO BOX 3965
SAN FRANCISCO CA 94119

190650064620 1 99999
BECHTEL POWER CORP
C Y LOPINSKY
STAFF ENGINEER
12400 E IMPERIAL HWY
NORWALK CA 90650

290060007127 1 99999
BECHTEL POWER CORP
H F MCCLUSKEY
PO BOX 60860 TERMINAL ANNEX
LOS ANGELES CA 90060

190650091921 1 99999
BECHTEL POWER CORP
LIBRARY
DEE MORRIS
12400 E IMPERIAL HWY
NORWALK CA 90650

194119091397 1 99999
BECHTEL POWER CORP
SF POWER DIV
EUGENE NELSON
QA MANAGER
PO BOX 3965
SAN FRANCISCO CA 94119

190060091395 1 99999
BECHTEL POWER CORP
LA POWER DIV
R L PATTERSON
DIV QA MANAGER
PO BOX 60860 TERMINAL ANNEX
LOS ANGELES CA 90060

294119006444 1 99999
BECHTEL POWER CORP
E B POSER
PROJECT ENGINEER
PO BOX 3965
SAN FRANCISCO CA 94119

190060000909 1 99999
BECHTEL POWER CORP
LOS ANGELES POWER DIV
J L SHAPIRO
CHIEF NUCLEAR & ENVIR ENGR
PO BOX 60860 TERMINAL ANNEX
LOS ANGELES CA 90060

194119006104 1 99999
BECHTEL POWER CORP
S F POWER DIVISION
S W SHOR
PO BOX 3965
MET 35/85
SAN FRANCISCO CA 94119

220877001247 1 99999
BECHTEL POWER CORP
GRAND GULF NPS
R TRICKOVIC
PROJECT ENGINEER
GAITHERSBURG MD 20877

194119091394 1 99999
BECHTEL POWER CORP
J B VIOLETTE
QA MANAGER-TPO
50 BEAL ST
SAN FRANCISCO CA 94119

115534091952 1 99999
BEDFORD COUNTY COLLECT ED CTR
PO BOX 204
BUFFALO MILLS PA 15534

194525052095 1 99999
BERGEN PATERSON PIPESUPPORT CO
WILLIAM HOWARD
WEST COAST SALES MANAGER
710 EL CAPITAN DR
DANVILLE CA 94526

103246091787 1 99999
BERGEY PATERSON PIPESUPPORT CO
ROBERT STEPHEN
QA DIRECTOR
34 MOULTON ST
LAKE PORT NH 03246

177484091399 1 99999
BETTIS ROBOT ARM
A LOCASCIO
QA MANAGER
1870 G H CIRCLE PO BOX 508
WALLER TX 77484

INDIA003464 1 99999
BHABHA ATOMIC RESEARCH CENTRE
LIBRARY & INFJ SERVICES
M K KELKAR
SCIENTIFIC OFFICER
TROMBAY
BOMBAY 400 085 INDIA

197210052948 1 99999
BINGHAM WILLAMETTE CO
GJY F ATKINSON CO
J A DOOMS
QA ASSISTANT MANAGER
2800 N W FRONT AVENUE
PORTLAND OR 97210

110004054611 1 99999
BISHOP LIBERMAN COOK ET AL
JAMES B LIBERMAN
26 BROADWAY
NEW YORK NY 10004

220036000900 1 99999
BISHOP LIBERMAN COOK ET AL
J M MCGARRY
1200 17TH ST NW
SUITE 700
WASHINGTON DC 20036

102125052954 1 99999
BIW CABLE SYSTEMS INC
E MANCHESTER
PRESIDENT
65 BAY STREET
BOSTON MA 02125

220877005872 1 99999
BECHTEL POWER CORP
J C VENTURA
CALVERT CLIFFS PROJECT ENGR
15740 SHADY GROVE RD
GAITHERSBURG MD 20877

148106029704 1 99999
BECHTEL POWER CORP
ANN ARBOR POWER
HOWARD W WAHL
VICE PRESIDENT & GENL MGR
PO BOX 1000
ANN ARBOR MI 48106

129360080092 1 99999
BENJAMIN F SHAW CO
LEONARD P SMEAL
RADIATION PROTECTION OFFICER
PO BOX 169
LAURENS SC 29360

103246053738 1 99999
BERGEN PATERSON PIPESUPPORT CO
HAROLD NOREEN
VICE PRES & QA DIRECTOR
34 MOULTON ST
LACONIA NH 03246

218016001445 1 99999
BETHLEHEM STEEL CORP
MEREDITH HEMPHILL
ASSISTANT GENERAL COUNSEL
MARTIN TOWER 2010
BETHLEHEM PA 18016

INDIA091242 1 99999
BHABHA ATOMIC RESEARCH CENTRE
DAE SAFETY REVIEW CMTE
P ABRAHAM
ADMINISTRATOR
TROMBAY
BOMBAY 400 085 INDIA

249720005383 1 99999
BIG ROCK POINT NUC POWER PLANT
PLANT SUPERINTENDENT
CHARLEVOIX MI 49720

120036081372 1 99999
BISHOP LIBERMAN COOK ET AL
JOSEPH B KNOTTS
1200 17TH ST NW
SUITE 700
WASHINGTON DC 20036

210004005446 1 99999
BISHOP LIBERMAN COOK ET AL
J B LIBERMAN
26 BROADWAY
NEW YORK NY 10004

120036100707 1 99999
BISHOP LIBERMAN COOK ET AL
NICHOLAS S REYNOLDS
1200 17TH ST NW
SUITE 700
WASHINGTON DC 20036

164114079072 1 99999
BLACK & VEATCH
CENTRAL LIBRARY
PO BOX 8405
KANSAS CITY MO 64114

164114091400	1	99999	BLACK & VEATCH R E BLAISDELL QA MANAGER PO BOX 8405 KANSAS CITY	MO	64114
133528004318	1	99999	BLACK & VEATCH WALTER MITCHELL PROJECT MANAGER PO BOX 10 DUNEDIN	FL	33528
1wGERM005318	1	99999	BMFT REACTOR SAFETY RESEARCH HEINZ SEIPEL ADMINISTRATOR POSTFACH 120124 5300 BONN 2	WGERMANY	
119468094184	1	99999	BOARD OF SUPV LIMERICK TOWNSHIP CHAIRMAN 646 WEST RIDGE PIKE LIMERICK	PA	19468
198124052953	1	99999	BOEING CO ENGR & CONSTRUCTION D I HULBERT PG 30x 3707 MS 9A-44 SEATTLE	WA	98124
198188091401	1	99999	BOEING CO BOEING ENGR & CONSTR CO MAX THOMPSON QA MANAGER 625 ANDOVER PARK W TUKWILA	WA	98188
122180064704	1	99999	BOEING COMPUTER SERVICES ENERGY TECH APPL S G LINEKER 7980 GALLOWES CT CV-31 VIENNA	VA	22180
197208029759	1	99999	BONNEVILLE POWER ADMIN PO BOX 3621 PORTLAND	OR	97208
ICANAD0091422	1	99999	BORG WARNER CORP BYRON JACKSON DIV PO BOX 190 STATION H TORONTO 13 ONTARIO	CANADA	
ICANAD0052964	1	99999	BORG WARNER CORP BYRON JACKSON DIV JACK ANDERSON SUPVR-REM ENGINEERING PO BOX 130 STATION H - TORONTO ONTARIO M4C 5J1	CANADA	
190749078990	1	99999	BORG WARNER CORP BYRON JACKSON ESOC MERRITT HUGINS TECH ANALYSIS CENTER M/S 79 CARSON	CA	90749
191409053079	1	99999	BORG WARNER CORP NUCLEAR VALVE DIVISION PETER L MILINAZZO MANAGER QUALITY ASSURANCE 7500 TYRONE AVENUE VAN NUYS	CA	91409
190058052965	1	99999	BORG WARNER CORP BYRON JACKSON PUMP DIV R L ROMERO 2300 EAST VERNON AVENUE 06 LOS ANGELES	CA	90058
102350100710	1	99999	BOSTON EDISON CO PILGRIM 1 NPS PLANT MANAGER PLYMOUTH	MA	02360
102199064706	1	99999	BOSTON EDISON CO W L ANDERSON NUCLEAR ENGINEER 800 BOLYSTON STREET BOSTON	MA	02199
102184005262	1	99999	BOSTON EDISON CO NUCLEAR OPERATIONS JOHN F FRASER 25 BRAINTREE HILL PARK P 260 BRAINTREE	MA	02184
102199064607	1	99999	BOSTON EDISON CO B A GORDON ENGR PERMANENT FILE SYS 800 BOYLSTON STREET BOSTON	MA	02199
102360081566	1	99999	BOSTON EDISON CO C J MATHEIS STATION MANAGER RFD 1 ROCKY HILL RD PLYMOUTH	MA	02360
102184029316	1	99999	BOSTON EDISON CO NUCLEAR A V MORISI MANAGER 25 BRAINTREE HILL PARK BRAINTREE	MA	02184
102125091403	1	99999	BOSTON INSUL WIRE CABLE SYSTEM AL SUTKUS QA MANAGER 65 BAY ST UPHAMS CORNER PS BOSTON	MA	02125
194601063657	1	99999	BOSTROM-BERGEN METAL PRODUCTS D RIGGE QA MANAGER 4700 COLISEUM WAY OAKLAND	CA	94601
102141052526	1	99999	BP TECHNICAL SERVICES 18 HURLEY STREET CAMBRIDGE	MA	02141

160068091796 1 99999
BRAND EXAM SVC & TESTING CO
MICHAEL N MARSH
1420 RENAISSANCE DR
PARK RIDGE IL 60068

106226091411 1 99999
BRAND REX CO
LON B ROBERTS
QA MANAGER
W MAIN STREET & RT 32
WILLIAMANTIC CT 06226

220036006105 1 99999
BRICH HORTON BITTNER & MONROE
ERIC A EISEN
1140 CONNECTICUT AVE NW
SUITE 1100
WASHINGTON DC 20036

111973030913 1 99999
BROOKHAVEN NATIONAL LABORATORY
ASSOC UNIVERSITIES INC
ASSISTANT TO THE DIRECTOR
UPTON NY 11973

111973066651 1 99999
BROOKHAVEN NATIONAL LABORATORY
REACTOR DIVISION
W J BRYNDA
UPTON
BLDG 703
LONG ISLAND NY 11973

177001064762 1 99999
BROWN & ROOT INC
P JORDAN
PO BOX 3
HOUSTON TX 77001

177001064728 1 99999
BROWN & ROOT INC
J E PADEN
MGR ENG DOCUMENTATION
PJ BOX 3 BLDG 41
HOUSTON TX 77001

119044091417 1 99999
BROWN BOVERI ELECTRIC INC
DISTR APPARATUS DIV
R DICK CONRAD
QA MANAGER
207 WITMER RD
HURSHAM PA 19044

174145091415 1 99999
BROWN BOVERI ELECTRIC INC
SWITCHGEAR OPERATIONS
DON PURKEY
QA MANAGER
5550 S GARNETT RD
TJLSA OK 74145

1WGEM053329 1 99999
BROWN BOVERI REAKTOR GMBH
ABT TPE 14
FACHBUCHEREI
DUDENSTR 44
6300 MANNHEIM 1 WGERMANY

146236091418 1 99999
BJEHLER NUCLEAR PRODUCTS CO
W WAYLES
QA MANAGER
9000 PRECISION DR
INDIANAPOLIS IN 46236

106226052955 1 99999
BRAND REX CO
WIRE & CABLE DIVISIONS
P PETRUCHIK
PRESIDENT W & C DIVS
PO BOX 498
WILLIMANTIC CT 06226

1ITALY091412 1 99999
BREDIA TERMOMECCANICA
D PANZERI
VICE PRESIDENT
VIALE SARCA 336
MILANO ITALY

124203091413 1 99999
BRISTOL STEEL & IRON WORKS
INC PLANT 3
LARRY COLLINS
WASHINGTON CTY IND PARK
POB 471
BRISTOL VA 24203

111973005037 1 99999
BROOKHAVEN NATIONAL LABORATORY
NUCLEAR SAFETY LIBRARY
LIBRARIAN
BLDG 130
UPTON NY 11973

177001064710 1 99999
BROWN & ROOT INC
P H DARLAND
MANAGER RECORDS MGMT DEP
PO BOX 3 01-362
HOUSTON TX 77001

177001064659 1 99999
BROWN & ROOT INC
RICHARD P NEGRI
ASSISTANT QA MANAGER
PO BOX 3
HOUSTON TX 77001

177001052958 1 99999
BROWN & ROOT INC
POWER
W M RICE
GROUP VICE PRESIDENT
PO BOX 3
HOUSTON TX 77001

119477053734 1 99999
BROWN BOVERI ELECTRIC INC
SWITCHGEAR SYSTEMS DIV
D D DUVALL
VICE PRESIDENT
ROUTE 309 & NORRISTOWN ROAD
SPRING HOUSE PA 19477

119477091416 1 99999
BROWN BOVERI ELECTRIC INC
SWITCHGEAR SYSTEMS DIV
E W RHOADS
QA DIRECTOR
NORRISTOWN RD & RT 309
SPRING HOUSE PA 19477

240202000508 1 99999
BROWN TODD & HEYBURN
JOSEPH B HELM
ESQUIRE
16TH FLOOR CITIZENS PLAZA
LOUISVILLE KY 40202

106856057905 1 99999
BURNDY CORP
POWER
M R MONASHKIN
CONN AND RICHARDS AVE
203
NORWALK CT 06856

107649001157 1 99999 BURNS & ROE INC TECH LIBRARY 800 KINDERKAMACK RD ORADELL NJ 07649	107649006086 1 99999 BURNS & ROE INC S BARON 800 KINDERKAMACK RD ORADELL NJ 07649
107649066903 1 99999 BURNS & ROE INC JOHN ELLWANGER 800 KINDERKAMACK RD ORADELL NJ 07649	111797102090 1 99999 BURNS & ROE INC F J PATTI CHIEF NUCLEAR ENGINEER 185 CROSSWAYS PARK DR WOODBURY NY 11797
215077005708 1 99999 BURROUGH OF SHIPPINGPORT RAYMOND E SCOTT MAYOR PO BOX 3 SHIPPINGPORT PA 15077	107645038055 1 99999 BUTLER SERVICE GROUP INC FRANK J CIAMPI VICE PRESIDENT-HUMAN RESOURCES 110 SUMMIT AVE PO BOX 460 MONTVALE NJ 07645
119462091424 1 99999 C & D BATTERIES GEO BRANCA QA DIRECTOR 3043 WALTON RD PLYMOUTH MEETING MA 19462	113126034460 1 99999 C & G VIDEO SYSTEMS INC DBA/BISESI STUDIO- PHOTOGRAPHY 223 W 6TH ST OSWEGO NY 13126
191802091423 1 99999 C F BRAUN & CO A G PICKFORD QA MANAGER ALHAMBRA CA 91802	191802052970 1 99999 C F BRAUN & CO A H WHITAKER VICE PRES-POWER DIVISION 1000 S FREMONT AVE ALHAMBRA CA 91802
106450020109 1 99999 C N FLAGG CO GLENN R LACEY MANAGER-QUALITY ASSURANCE 450 MURDOCK AVENUE MERIDEN CT 06450	190010092354 1 99999 CALIFORNIA ATTORNEY GENERAL MICHAEL J STRUMWASSER SPECIAL COUNSEL 3580 WILSHIRE BLVD SUITE 800 LOS ANGELES CA 90010
195814030938 1 99999 CALIFORNIA DEPT OF CONSERV MINES & GEOLOGY PERRY Y AMIMOTO 1416 9TH ST RM 1341 SACRAMENTO CA 95814	195814012056 1 99999 CALIFORNIA DEPT OF HEALTH SVCS RADIOLOGIC HEALTH BRANCH JOSEPH O WARD 714 P ST ROOM 498 BLOG 8 SACRAMENTO CA 95814
195814102936 1 99999 CALIFORNIA ENERGY COMMISSION ENERGY FACILITIES SITING DIV DIRECTOR 1516 9TH ST SACRAMENTO CA 95814	195814093978 1 99999 CALIFORNIA ENERGY COMMISSION SITING & ENVIRONMENTAL E R DETTER 1516 9TH ST 16 SACRAMENTO CA 95814
195814091833 1 99999 CALIFORNIA ENERGY COMMISSION CHARLES R IMBRECHT CHAIRMAN 1516 NINTH ST SACRAMENTO CA 95814	194102094145 1 99999 CALIFORNIA PUBLIC UTILITY COM JANICE E KERR 350 MCALLISTER ST SAN FRANCISCO CA 94102
195815092022 1 99999 CALIFORNIA RADIO MATLS MGMT ALAN D PASTERNAK 455 CAPITOL MALL SUITE 380 SACRAMENTO CA 95816	195814080938 1 99999 CALIFORNIA RESOURCES AGENCY GORDON K VAN VLECK SECRETARY FOR RESOURCES 1416 9TH ST RM 1311 SACRAMENTO CA 95814
177251080108 1 99999 CAMERON IRON WORKS INC FORGED PRODUCTS DIV D D BULLOCK MARKETING MANAGER PO BOX 1212 HOUSTON TX 77251	110016056193 1 99999 CAMMER & SHAPIRO RALPH SHAPIRO 9 EAST 40TH STREET NEW YORK NY 10016

118915093373 1 99999
CAPITAL CONTROLS CO INC
L M WILFORD
3000 ADVANCE LANE
PJ BOX 211
COLMAR PA 18915

143216091428 1 99999
CAPITOL MFG CO
DIV OF HARVO CORP
153 W FULTON
COLUMBUS OH 43216

119004091427 1 99999
CAPITOL PIPE & STEEL CO
301 CITY LINE AVE
BALA CYNWYD PA 19004

119004052967 1 99999
CAPITOL PIPE & STEEL CO
SUE MACCART
SUPERVISOR-QUALITY ASSURANCE
301 CITY LINE AVE
BALA CYNWYD PA 19004

228208000669 1 99999
CAROLINA ENVIRON STUDY GROUP
JESSE L RILEY
PRESIDENT
854 HENLEY PLACE
CHARLOTTE NC 28208

127562080545 1 99999
CAROLINA POWER & LIGHT CO
HARRIS 1 NPS
PLANT MANAGER
NEW HILL NC 27562

127562080544 1 99999
CAROLINA POWER & LIGHT CO
HARRIS 2 NPS
PLANT MANAGER
NEW HILL NC 27562

129550080516 1 99999
CAROLINA POWER & LIGHT CO
ROBINSON 2 NPS
PLANT MANAGER
HARTSVILLE SC 29550

127502094155 1 99999
CAROLINA POWER & LIGHT CO
CHARLES D BAFHAM
VICE PRESIDENT & SR COUNSEL
PO BOX 1551
RALEIGH NC 27602

128461080961 1 99999
CAROLINA POWER & LIGHT CO
BRUNSWICK NPS
C R DIETZ
PLANT MANAGER
PO BOX 10429
SOUTHPORT NC 28461

227502000897 1 99999
CAROLINA POWER & LIGHT CO
RICHARD JONES
ASSOCIATE GENERAL COUNSEL
PO BOX 1551
RALEIGH NC 27602

129550080894 1 99999
CAROLINA POWER & LIGHT CO
ROBINSON 2 NPS
R E MORGAN
PLANT GENERAL MANAGER
PO BOX 790
HARTSVILLE SC 29550

127562080899 1 99999
CAROLINA POWER & LIGHT CO
HARRIS NPS
R M PARSONS
PROJECT GENERAL MANAGER
BOX 101
NEW HILL NC 27562

128461030566 1 99999
CAROLINA POWER & LIGHT CO
BRUNSWICK STEAM ELECTRIC PLANT
N V STEWART
P O BOX 10429
SOUTHPORT NC 28461

127502005449 1 99999
CAROLINA POWER & LIGHT CO
POWER SUPPLY CONSTRUCT & ENGN
E E UTLEY
EXEC VICE PRESIDENT
PO BOX 1551
RALEIGH NC 27602

119603052968 1 99999
CARPENTER TECHNOLOGY CORP
W R KEGERISE
GEN MGR NUCLEAR PRODUCTS
101 WEST BERN STREET
READING PA 19603

119063091429 1 99999
CARPENTER TECHNOLOGY CORP
CARPENTER STEEL
SAM TYSON
QA MANAGER
101 WEST BERN ST
READING PA 19063

160521079443 1 99999
CATALYTIC INC
2001 SPRING RD
SUITE 530
OAK BROOK IL 60521

119102028466 1 99999
CATALYTIC INC
PAUL REICHART
1503 MARKET STREET
PHILADELPHIA PA 19102

138113091430 1 99999
CBI NUCLEAR CO
WALT DEHKERS
QA MANAGER
2700 CHANNEL AVE
MEMPHIS TN 38113

290064001221 1 99999
CENTER FOR LAW PUBLIC INTEREST
JOHN R PHILLIPS
ESQUIRE
10951 WEST PICO BLVD
LOS ANGELES CA 90064

1ENGLA032235 1 99999
CENTRAL ELECTRIC GEN BOARD
CENTRAL LIBRARY
G G TERRY
CHIEF LIBRARIAN
18 WARWICK LANE
LONDON EC4P 4EB COURTENAY HSE
ENGLAND

ISPAIN023959 1 99999
CENTRAL NUCLEAR DE A RAZ
JUAN M BLANCO
PRINCESA 3
MADRID - 8 SPAIN

278403001480 1 99999
CENTRAL POWER & LIGHT CO
OFCR IN CHARGE-NUCLEAR AFFAIRS
PO BOX 2121
CORPUS CHRISTI TX 78403

1BELG1057562 1 99999
CENTRE D'ETUDE DE L'ENER NUCL
POWER PLANT BR 3
FRANCOIS MOTTE
ADMINISTRATOR
BOJERETANG 200
B-2400 MOL BELGIUM

1FRANCO03524 1 99999
CENTRE D'ETUDES NUCLEAIRES
DEPT DE SURETE NUCLEAIRE
GABRIELLE KATZ
BP NO 6
92.260
FONTENAY-AUX-ROSES FRANCE

176163100797 1 99999
CERAMIC COOLING TOWER CO
QA MANAGER
PO BOX 330909
FORT WORTH TX 76163

105446091432 1 99999
CHAMPLAIN CABLE CORP
ROBERT JOE
QA MANAGER
HERCULES DR PO BOX 7
COLCHESTER VT 05446

105404053041 1 99999
CHAMPLAIN CABLE CORP
C L MARTIN
PO BOX 7
WINDOSKI VT 05404

227606092359 1 99999
CHANGE
DANIEL F READ
PRESIDENT
5707 WAYCROSS ST
RALEIGH NC 27606

102199067190 1 99999
CHARLES T MAIN INC
THERMAL POWER DIVISION
J H NOBLE
PRUDENTIAL CENTER
BOSTON MA 02199

125304063988 1 99999
CHARLESTON AREA MEDICAL CENTER
MEMORIAL DIV
RIDGELY CONANT
DIRECTOR OF NUC MEDICINE
3200 MACCORKLE AVE SE
CHARLESTON WV 25304

129212091433 1 99999
CHEM NUCLEAR SYSTEMS INC
PO BOX 726
BARNSWELL SC 29212

129210074270 1 99999
CHEM NUCLEAR SYSTEMS INC
INFORMATION CENTER
240 STONERIDGE DR
COLUMBIA SC 29210

160410082477 1 99999
CHEM NUCLEAR SYSTEMS INC
MICHAEL J BENJAMIN
PO BOX 293
CHANNADON IL 60410

117331091372 1 99999
CHEMETRON CORP
ALLOY RODS DIV
WILSON AVE
HANOVER PA 17331

117331091434 1 99999
CHEMETRON CORP
D JACOBY
QA MANAGER
WILSON AVE PO BOX 517
HANOVER PA 17331

140232091728 1 99999
CHEMETRON CORP
TUBE TURNS
LAWRENCE SETTLE
QC MANAGER
2900 W BROADWAY PO BOX 32160
LOUISVILLE KY 40232

260602005200 1 99999
CHERRY & FLYNN
MYRON CHERRY
THREE FIRST NATIONAL PLAZA
SUITE 3700
CHICAGO IL 60602

138113052969 1 99999
CHICAGO BRIDGE & IRON CO
2700 CHANNEL AVE P O BOX 13308
MEMPHIS TN 38113

135201052971 1 99999
CHICAGO BRIDGE & IRON CO
WELDING & QA DEPT
PO BOX 277
BIRMINGHAM AL 35201

160521100783 1 99999
CHICAGO BRIDGE & IRON CO
NUCLEAR PROJECT SALES DEPT
T F BASGEN
800 JORIE BLVD
OAK BROOK IL 60521

177064091435 1 99999
CHICAGO BRIDGE & IRON CO
RALPH KELLEY
CNQA SERV MANAGER
8900 FAIRBANKS N HOUSTON RD
HOUSTON TX 77064

160901080119 1 99999
CHICAGO BRIDGE & IRON CO
G MCLISH
MANAGER-WELDING & QA
PO BOX 774
KANKAKEE IL 60901

160521091436 1 99999
CHICAGO BRIDGE & IRON CO
DONALD MOWRY
QA DIRECTOR
800 JORIE BLVD
OAK BROOK IL 60521

184110100704 1 99999
CHICAGO BRIDGE & IRON CO
JOHN L SNIDER
PLANT MANAGER
PO BOX 687
SALT LAKE CITY UT 84110

260611005731 1 99999
CHICAGO METRO SANITARY DIST
CECIL LUE HING
DIRECTOR OF RESEARCH & DEV
100 EAST ERIE STREET
CHICAGO IL 60611

120006082259 1 99999
CHUBU ELECTRIC POWER CO INC
900 17TH ST NW
SUITE 714
WASHINGTON DC 20006

145153080576 1 99999
CINCINNATI GAS & ELECTRIC CO
ZIMMER I NPS
PLANT MANAGER
MOSCOW OH 45153

145201079120 1 99999
CINCINNATI GAS & ELECTRIC CO
NUCLEAR SERVICES DEPT
K K CHITKARA
MANAGER
PO BOX 960
CINCINNATI OH 45201

145153091926 1 99999
CINCINNATI GAS & ELECTRIC CO
ZIMMER NPS
GREGORY C FICKE
MANAGER-NUCLEAR LICENSING DEPT
US ROUTE 52 PO BOX 2023
MOSCOW OH 45153

145201082140 1 99999
CINCINNATI GAS & ELECTRIC CO
LEGAL DEPT
JEROME A VENNEMANN
PO BOX 950
CINCINNATI OH 45201

145153082370 1 99999
CINCINNATI GAS & ELECTRIC CO
ZIMMER NPS
J WILLIAMS
SENIOR VICE PRESIDENT
RTE 52 PO BOX 2023
MOSCOW OH 45153

192801091439 1 99999
CIRCLE SEAL CORP
TECHNETIC DIV
ROBERT BRADSHAW
QA MANAGER
1111 N BROOKHURST ST
ANAHEIM CA 92801

218501001498 1 99999
CITIZENS AGAINST NUC DANGERS
THOMAS J HALLIGAN
CHAIRPERSON
PO BOX 5
SCRANTON PA 18501

175224065723 1 99999
CITIZENS ASSOC FOR SOUND ENGY
PRESIDENT
1426 S POLK ST
DALLAS TX 75224

278233006150 1 99999
CITIZENS CONCERNED ABT NUC PWR
PAT COY
5105 CASA DRD
SAN ANTONIO TX 78233

260605006404 1 99999
CITIZENS FOR A BETTER ENVIRON
DANIEL MINTZ
COUNSEL FOR PETITIONERS
59 EAST VAN BUREN STREET
SUITE 1600
CHICAGO IL 60605

217043005514 1 99999
CITIZENS FOR A SAFE ENVIRON
VIRGINIA SOUTHARD
CHAIRMAN
264 WALTON ST
LEMOYNE PA 17043

277422005309 1 99999
CITIZENS FOR EQUITABLE UTILS
PEGGY BJCHORN
EXECUTIVE DIRECTOR
ROUTE 1 BOX 1684
BRAZORIA TX 77422

278767007039 1 99999
CITY OF AUSTIN
JONATHAN DAVIS
ASST CITY ATTORNEY
PO BOX 1088
AJSTIN TX 78767

278767001481 1 99999
CITY OF AUSTIN
ELECTRIC UTILITY DEPARTMENT
H L PETERSON
G POKORNY
PO BOX 1088
AUSTIN TX 78767

249106005691 1 99999
CITY OF BRIDGMAN
MAYOR
BRIDGMAN MI 49106

101950093219 1 99999
CITY OF NEWBURYPORT
OFFICE OF MAYER
RICHARD E SULLIVAN
MAYOR
CITY HALL
NEWBURYPORT MA 01950

119102100703 1 99999
CITY OF PHILADELPHIA
LEO A BROOKS
MANAGING DIRECTOR
1620 MUNICIPAL SERVICES BLDG
PHILADELPHIA PA 19102

119107092140 1 99999
CITY OF PHILADELPHIA
LAW DEPT
MARTHA W BUSH
DEPUTY CITY SOLICITOR
1530 MUNICIPAL SERVICES BLDG
PHILADELPHIA PA 19107

292672005376	1	99999	CITY OF SAN CLEMENTE MAYOR SAN CLEMENTE	CA	92672
160099081553	1	99999	CITY OF ZION HOWARD P EVERLINE MAYOR 2828 SHERIDAN RD ZION	IL	60099
144143091440	1	99999	CLEVELAND DEVELOPMENT CO C J SKINGLE MANAGER 625 ALPHA DR CLEVELAND	HIGHLAND HTS OH	44143
144081080499	1	99999	CLEVELAND ELEC ILLUMINATING CO PERRY 1 NPS PLANT MANAGER PERRY	OH	44081
144081080498	1	99999	CLEVELAND ELEC ILLUMINATING CO PERRY 2 NPS PLANT MANAGER PERRY	OH	44081
144081081501	1	99999	CLEVELAND ELEC ILLUMINATING CO PERRY NPS L BECK SUPERVISOR-LICENSING & FUELS 10 CENTER RD PERRY	OH	44081
144101004553	1	99999	CLEVELAND ELEC ILLUMINATING CO SYSTEMS ENGINEERING & CONSTR D R DAVIDSON VICE PRESIDENT-ENGINEERING PO BOX 5000 CLEVELAND	OH	44101
244101001520	1	99999	CLEVELAND ELEC ILLUMINATING CO MJRRAY R EDELMAN VICE PRESIDENT-NUCLEAR PO BOX 5000 CLEVELAND	OH	44101
244101000067	1	99999	CLEVELAND ELEC ILLUMINATING CO DJNALD H HAUSER ESQUIRE PO BOX 5000 CLEVELAND	OH	44101
144081082142	1	99999	CLEVELAND ELEC ILLUMINATING CO PERRY NPS J WALDRON PLANT MANAGER 10 CENTER RD PERRY	OH	44081
160559064455	1	99999	CLOW CORP ENGINEERED PRODUCTS M L SESHAGIRI QA MANAGER 40 CHESTNUT AVE WESTMONT	IL	60559
18BRAZ1008064	1	99999	CNEN INTERNATIONAL AFFAIRS OFFICE PAULO D PEREIRA ADMINISTRATOR RUA GENERAL SEVERIANO 90 RIO DE JANEIRO 20000 BRAZIL		
197204065572	1	99999	COALITION FOR SAFE POWER EUGENE ROSOLIE 410 GOV BLDG 408 SW 2ND AVE PORTLAND	OR	97204
263130006109	1	99999	COALITION FOR THE ENVIRONMENT ST LOUIS REGION DAN I BOLEF PRESIDENT-BD OF DIRECTORS 6267 DELMAR BLVD UNIVERSITY CITY	MO	63130
190701091442	1	99999	COAST INDUSTRIAL SUPPLY CO JAMES A LYNCH QA MANAGER 15959 PJIMA AVE CERRITOS	CA	90701
180220004291	1	99999	COLORADO DEPT OF HEALTH RADIATION CONTROL DIV ALBERT J HAZLE DIRECTOR 4210 EAST 11TH AVE DENVER	CO	80220
130117052974	1	99999	COLT INDUSTRIES TRENT TUBE DIV OF CRUCIBLE INC 141 HAMMONDS STREET CARROLLTON	GA	30117
153511051945	1	99999	COLT INDUSTRIES WESLEY A BRILL 701 LAWTON AVE BELOIT	WI	53511
153511052973	1	99999	COLT INDUSTRIES FAIRBANK MORSE ENGINE DIV EDWARD L FAY MANAGER-QA 701 LAWTON AVENUE BELOIT	WI	53511
130117091443	1	99999	COLT INDUSTRIES JACK L WEHRLE QA MANAGER 141 HAMMONDS ST CARROLLTON	GA	30117
103801052976	1	99999	COMBUSTION ENGINEERING INC C-E AVERY DIVISION OLD DOVER ROAD NEWINGTON	NH	03801
106095038343	1	99999	COMBUSTION ENGINEERING INC PSG LIBRARY LIBRARIAN-REF DOCUMENTS 1000 PROSPECT HILL RD 6435-405 WINDSOR	CT	06095

120814026585 1 99999
COMBUSTION ENGINEERING INC
C-E POWER SYSTEMS
CHARLES B BRINKMAN
7910 WOODMONT AVE
SUITE 1310
BETHESDA MD 20814

106095103016 1 99999
COMBUSTION ENGINEERING INC
9488-988
J H FITZ
1000 PROSPECT HILL RD
WINDSOR CT 06095

206095006333 1 99999
COMBUSTION ENGINEERING INC
V C HALL
1000 PROSPECT HILL ROAD
WINDSOR CT 06095

106095091035 1 99999
COMBUSTION ENGINEERING INC
W R HORLACHER
1000 PROSPECT HILL RD
9457-404
WINDSOR CT 06095

206095001440 1 99999
COMBUSTION ENGINEERING INC
R C JACQUES
1000 PROSPECT HILL RD
9456-408
WINDSOR CT 06095

206095005873 1 99999
COMBUSTION ENGINEERING INC
R R MILLS
1000 PROSPECT HILL RD
9456-406
WINDSOR CT 06095

120814090006 1 99999
COMBUSTION ENGINEERING INC
ELEANOR MUELLER
7910 WOODMONT AVE
SUITE 1310
BETHESDA MD 20814

106095026584 1 99999
COMBUSTION ENGINEERING INC
A E SCHERER
DIRECTOR-NUCLEAR LICENSING
1000 PROSPECT HILL RD
9438-1922
WINDSOR CT 06095

106095091443 1 99999
COMBUSTION ENGINEERING INC
M R THOMAS
QA MANAGER
1000 PROSPECT HILL DR
WINDSOR CT 06095

103801091446 1 99999
COMBUSTION ENGINEERING INC
C-E AVERY DIV
C E WHITE
QA MANAGER
OLD DOVER RD
NEWINGTON NH 03801

1MEXIC066478 1 99999
COMISION FEDERAL ELECTRICIDAD
APDO POSTAL NO 5-214
MEXICO 5-DF MEXICO

106095102962 1 99999
COMBUSTION ENGINEERING INC
CEP 9471-1209
EUGENE R D'AMADIO
INSPECTION SERVICES MGR
1000 PROSPECT HILL RD
WINDSOR CT 06095

106095100722 1 99999
COMBUSTION ENGINEERING INC
NON METALLIC METAL ENGR
J S GLAZMAN
SUPERVISOR
1000 PROSPECT HILL RD
WINDSOR CT 06095

106095091444 1 99999
COMBUSTION ENGINEERING INC
CLIFF HOFFMAN
QA DIRECTOR
1000 PROSPECT HILL DR
WINDSOR CT 06095

106095091445 1 99999
COMBUSTION ENGINEERING INC
C-E POWER SYSTEMS
G K HUBA
QA ENGINEER
1000 PROSPECT HILL DR
WINDSOR CT 06095

106905008721 1 99999
COMBUSTION ENGINEERING INC
P L MCGILL
VICE PRESIDENT
1000 PROSPECT HILL ROAD
WINDSOR CT 06095

106095100726 1 99999
COMBUSTION ENGINEERING INC
DEPT 9493-2322
J C MOULTON
1000 PROSPECT HILL RD
PO BOX 500
WINDSOR CT 06095

106095100718 1 99999
COMBUSTION ENGINEERING INC
DEPT 9485-2405
VIRGIL A PAGGEN
1000 PROSPECT HILL RD
WINDSOR CT 06095

137402052975 1 99999
COMBUSTION ENGINEERING INC
W A STONE
QUALITY ENGN MGR
911 W MAIN ST
CHATTANOOGA TN 37402

206095001299 1 99999
COMBUSTION ENGINEERING INC
CE POWER SYSTEMS
J W VEIRS
1000 PROSPECT HILL ROAD
WINDSOR CT 06095

106095100717 1 99999
COMBUSTION ENGINEERING INC
DEPT 9487-403
P W WIEHLHOUSER
1000 PROSPECT HILL RD
WINDSOR CT 06095

1MEXIC064504 1 99999
COMISION NACIONAL SEGURIDAD
NUCLEAR Y SALVAGUARDIAS
INSURGENTES SUR NO 1806
MEXICO DF 01030 MEXICO

1FRANCO06953 I 99999
COMITE INTERMINISTERIELLE DE
LA SECURITE NUCLEAIRE
JEAN SERVANT
ADMINISTRATOR
27 RUE OUDINOT
75700 PARIS FRANCE

149201029240 I 99999
COMMONWEALTH ASSOCIATES INC
POWER DIVISION
W H RANDALL
SR REG CONSULTANT
209 E WASHINGTON AVE
JACKSON MI 49201

160407080565 I 99999
COMMONWEALTH EDISON CO
BRAIDWOOD 1 NPS
PLANT MANAGER
BRACEVILLE IL 60407

161010080560 I 99999
COMMONWEALTH EDISON CO
BYRON 1 NPS
PLANT MANAGER
4450 NORTH GERMAN CHURCH RD
BYRON IL 61010

160450080547 I 99999
COMMONWEALTH EDISON CO
DRESDEN 1 NPS
PLANT MANAGER
RR #1
MORRIS IL 60450

160450080534 I 99999
COMMONWEALTH EDISON CO
DRESDEN 3 NPS
PLANT MANAGER
RR #1
MORRIS IL 60450

161341080477 I 99999
COMMONWEALTH EDISON CO
LASALLE 2 NPS
PLANT MANAGER
MARSEILLES IL 61341

161242080505 I 99999
COMMONWEALTH EDISON CO
QUAD CITIES 1 NPS
PLANT MANAGER
CORDOVA IL 61242

160099080577 I 99999
COMMONWEALTH EDISON CO
ZION 1 NPS
PLANT MANAGER
ZION IL 60099

160690079384 I 99999
COMMONWEALTH EDISON CO
R LOSARO
SITE CONSTRUCTION SUPERINTENDT
PO BOX 767
CHICAGO IL 60690

160099079389 I 99999
COMMONWEALTH EDISON CO
K L GRAESSER
STATION SUPERINTENDENT
SHILOH BLVD & LAKE MICHIGAN
ZION IL 60099

102108065521 I 99999
COMMERCIAL UNION INSURANCE CO
RISK CONTROL TECH RESOURCE CTR
ONE BEACON ST
BOSTON MA 02108

160690055268 I 99999
COMMONWEALTH EDISON CO
DIRECTOR OF NUCLEAR LICENSING
PO BOX 767
CHICAGO IL 60690

160407080566 I 99999
COMMONWEALTH EDISON CO
BRAIDWOOD 2 NPS
PLANT MANAGER
BRACEVILLE IL 60407

161010080561 I 99999
COMMONWEALTH EDISON CO
BYRON 2 NPS
PLANT MANAGER
4450 NORTH GERMAN CHURCH RD
BYRON IL 61010

160450080535 I 99999
COMMONWEALTH EDISON CO
DRESDEN 2 NPS
PLANT MANAGER
RR #1
MORRIS IL 60450

161341080478 I 99999
COMMONWEALTH EDISON CO
LASALLE 1 NPS
PLANT MANAGER
MARSEILLES IL 61341

160690064240 I 99999
COMMONWEALTH EDISON CO
NUCLEAR SECURITY ADMIN OFFICE
72 WEST ADAMS PO BOX 767
RM 1230E
CHICAGO IL 60690

161242080505 I 99999
COMMONWEALTH EDISON CO
QUAD CITIES 2 NPS
PLANT MANAGER
CORDOVA IL 61242

160099080578 I 99999
COMMONWEALTH EDISON CO
ZION 2 NPS
PLANT MANAGER
ZION IL 60099

161341081555 I 99999
COMMONWEALTH EDISON CO
LA SALLE COUNTY STATION
G J DIEDERICH
SUPERINTENDENT
RR 1 PO BOX 24
MARSEILLES IL 61341

160407093776 I 99999
COMMONWEALTH EDISON CO
J F GUDAC
STATION SUPERINTENDENT
RR 1 PO BOX 81
BRACEVILLE IL 60407

161242080122 1 99999
COMMONWEALTH EDISON CO
N J KALIVIANAKIS
REGISTERED USER
22710 206 AVE NORTH
CORDOVA IL 61242

161010052460 1 99999
COMMONWEALTH EDISON CO
BYRON STATION
R E QJERIO
STATION SUPERINTENDENT
4450 N GERMAN CHURCH RD
BYRON IL 61010

160690080923 1 99999
COMMONWEALTH EDISON CO
V I SCHLOSSER
PROJECT MANAGER
PO BOX 767
CHICAGO IL 60690

161341081498 1 99999
COMMONWEALTH EDISON CO
LA SALLE NPS
D L SHAMBLIN
CONSTRUCTION SUPERINTENDENT
RR 1 BOX 220
MARSEILLES IL 61341

160099064689 1 99999
COMMONWEALTH EDISON CO
ZION GEN STATION
W STONE
STAFF ASST
SHILOH BLVD & LAKE MICHIGAN
ZION IL 60099

1BELG1063097 1 99999
COMPRIMO BELGIE NV
G DE WILDE
GEN ENG MANAGER
NOORDERLAAN 139
2030 ANTWERPEN BELGIUM

195128081633 1 99999
COMPUTER DATA ENGINEERING CORP
RICHARD GRAY
VICE PRESIDENT
2858 STEVENS CREEK BLVD
SUITE 211
SAN JOSE CA 95128

190601091450 1 99999
COMSTP INC
DELPHI SYSTEMS DIV
DAVID MUELLER
QA DIV MANAGER
3030 RED HAT LA
WHITTIER CA 90601

177074080127 1 99999
CONAM INTERNATIONAL
OTIS GAMBLE
REGISTERED USER
6106 ROOKIN ST
HOUSTON TX 77074

114225024720 1 99999
CONAX CORP
NUCLEAR PRODUCTS DIVISION
W C FEDERICK
DIVISION MANAGER
2300 WALDEN AVE
BUFFALO NY 14225

206115094433 1 99999
CONNECTICUT OFC POLICY & MGMT
ENERGY DIVISION
UNDERSECRETARY FOR ENERGY
80 WASHINGTON ST
HARTFORD CT 06115

161341091167 1 99999
COMMONWEALTH EDISON CO
LASALLE COUNTY STATION
T E QUAKA
QA SUPERINTENDENT
2601 N 21ST ROAD
MARSEILLES IL 61341

160690035579 1 99999
COMMONWEALTH EDISON CO
CORDELL REED
VICE PRESIDENT
PO BOX 767
CHICAGO IL 60690

160450081555 1 99999
COMMONWEALTH EDISON CO
DRESDEN NPS
D J SCOTT
SUPERINTENDENT
RR 1
MORRIS IL 60450

160690079381 1 99999
COMMONWEALTH EDISON CO
GUNNER SORENSEN
SITE PROJECT SUPERINTENDENT
PO BOX 767
CHICAGO IL 60690

219139005434 1 99999
COMMUNITY LEGAL SERVICES INC
STEVEN P HERSHEY
5219 CHESTNUT ST
PHILADELPHIA PA 19139

194705065574 1 99999
COMPUTECH ENGINEERING SVCS INC
LINDSAY R JONES
PRESIDENT
2855 TELEGRAPH AVE
SUITE 410
BERKELEY CA 94705

107036091451 1 99999
COMSTP INC
COLE FERDINAND
QA MANAGER
1418 E LINDEN AVE
LINDEN NJ 07036

160143091452 1 99999
CONAM INTERNATIONAL
INSPECTION DIV
BOYD CREECH
PRESIDENT
1245 W NORWOOD AVE
ITASCA IL 60143

114225091454 1 99999
CONAX CORP
R L DURJURE
QA MANAGER
2300 WALDEN AVE
BUFFALO NY 14225

106106102885 1 99999
CONNECTICUT DEPT OF ENV PROTEC
KEVIN MCCARTHY
DIRECTOR OF RADIATION CONTROL
STATE OFFICE BUILDING
HARTFORD CT 06106

106106067149 1 99999
CONNECTICUT OFC POLICY & MGMT
ENERGY DIVISION
BRADFORD S CHASE
ACTING UNDERSECRETARY FOR ENGY
80 WASHINGTON STREET
HARTFORD CT 06106

106101028289 1 99999
CONNECTICUT YANKEE ATOM PWR CO
PRESIDENT
PO BOX 270
HARTFORD CT 06101

106424080546 1 99999
CONNECTICUT YANKEE ATOM PWR CO
HADDAM NECK NPS
PLANT MANAGER
PO BOX 127E - RFD 1
EAST HAMPTON CT 06424

106101004675 1 99999
CONNECTICUT YANKEE ATOM PWR CO
NUCLEAR ENGINEERING & OPER
W G COUNCIL
SENIOR VICE PRESIDENT
P O BOX 270
HARTFORD CT 06101

106424005751 1 99999
CONNECTICUT YANKEE ATOM PWR CO
HADDAM NECK PLANT
R H GRAVES
RR 1 BOX 127E
E HAMPTON CT 06424

120006057875 1 99999
CONYER & WETTERHAHN
MARK J WETTERHAHN
1747 PENNSYLVANIA AVE NW
SUITE 1050
WASHINGTON DC 20006

1SPAIN008080 1 99999
CONSEJO DE SEGURIDAD NUCLEAR
BIBLIOTECA CSN PLANTA 5
JACOBO DIAZ DIAZ
ADMINISTRATOR
PASEO DE LA CASTELLANA 135
MADRID-16 SPAIN

106801091455 1 99999
CONSOLIDATED CONTROLS CORP
FRANK BUTLER
COMM N QC ENGINEER
15 DURANT AVE
BETHEL CT 06801

106801020122 1 99999
CONSOLIDATED CONTROLS CORP
PLANT 2
GARY L SCHOENBAUM
MANAGER-I & C
15 DURANT AVE
BETHEL CT 06801

110511079130 1 99999
CONSOLIDATED EDISON CO OF NY
INDIAN POINT NPS
MICHAEL BLATT
DIRECTOR-REGULATORY AFFAIRS
BROADWAY & BLEAKLEY AVE
BUCHANAN NY 10511

210003005723 1 99999
CONSOLIDATED EDISON CO OF NY
BRENT L BRANDENBURG
ASSISTANT GENERAL COUNSEL
4 IRVING PLACE
1830
NEW YORK NY 10003

110511030700 1 99999
CONSOLIDATED EDISON CO OF NY
INDIAN POINT NPS
EUGENE IMBIMBO
SR RADIATION PROT INSTRUCTOR
BROADWAY & BLEAKLEY AVES
BUCHANAN NY 10511

210511005718 11 99999
CONSOLIDATED EDISON CO OF NY
CHARLES W JACKSON
VICE PRESIDENT-NUCLEAR POWER
BROADWAY AND BLEAKLEY AVES
BUCHANAN NY 10511

110003003020 1 99999
CONSOLIDATED EDISON CO OF NY
JOHN O'TOOLE
VICE PRESIDENT
4 IRVING PLACE
RM 1402
NEW YORK NY 10003

110003004955 1 99999
CONSOLIDATED EDISON CO OF NY
NUCLEAR ENGINEERING
JOHN O OTOOLE
VICE PRESIDENT
4 IRVING PLACE
NEW YORK NY 10003

110003091335 1 99999
CONSOLIDATED EDISON CO OF NY
ROBERT SPRING
NUCLEAR LICENSING ENGINEER
4 IRVING PLACE
RM 1014
NEW YORK NY 10003

149720081510 1 99999
CONSUMERS POWER CO
BIG ROCK POINT NPS
PLANT SUPERINTENDENT
RTE 3 PO BOX 591
CHARLEVOTX MI 49720

148640080481 1 99999
CONSUMERS POWER CO
MIDLAND 1 NPS
PLANT MANAGER
MIDLAND MI 48640

148640080480 1 99999
CONSUMERS POWER CO
MIDLAND 2 NPS
PLANT MANAGER
MIDLAND MI 48640

149043080491 1 99999
CONSUMERS POWER CO
PALISADES NPS
PLANT MANAGER
COVERT MI 49043

149201005712 1 99999
CONSUMERS POWER CO
PARNALL TECHNICAL LIBRARY
LIBRARIAN
1945 W PARNALL RD
P11-052
JACKSON MI 49201

249201005343 1 99999
CONSUMERS POWER CO
JUDD L BACON
212 WEST MICHIGAN AVE
JACKSON MI 49201

149201057077 1 99999
CONSUMERS POWER CO
A J BIRKLE
1945 W PARNALL ROAD
JACKSON MI 49201

249201001421	1	99999	CONSUMERS POWER CO JAMES E BRUNNER ESQ 212 WEST MICHIGAN AVENUE JACKSON MI 49201
149201058220	1	99999	CONSUMERS POWER CO J W COOK VICE PRESIDENT 1945 W PARNALL RD JACKSON MI 49201
149201003026	1	99999	CONSUMERS POWER CO WILMA G FOGG NJCLEAR LICENSING ANALYST 1945 WEST PARNALL ROAD JACKSON MI 49201
249043005337	1	99999	CONSUMERS POWER CO PALISADES PLANT ROBERT W MONTROSS PLANT MANAGER COVERT MI 49043
249201005391	1	99999	CONSUMERS POWER CO PAUL A PERRY SECRETARY 212 WEST MICHIGAN AVE JACKSON MI 49201
148640066519	1	99999	CONSUMERS POWER CO NUCLEAR TRAINING CENTER PEGGY STOLZ PO BOX 1807 MIDLAND MI 48640
249201005497	1	99999	CONSUMERS POWER CO DAVID VANDEWALLE NUCLEAR LIC ADMINISTRATOR 1945 W PARNALL RD JACKSON MI 49201
192714052938	1	99999	CONTROL COMPONENTS INC 2567 SE MAIN STREET IRVINE CA 92714
192714091456	1	99999	CONTROL COMPONENTS INC ROBERT TOPPING QA DIRECTOR E 2567 SE MAIN ST IRVINE CA 92714
155440091457	1	99999	CONTROL DATA CORP GEO OLSEN QA MANAGER PO BOX 0 MINNEAPOLIS MN 55440
120852064749	1	99999	CONTROL DATA CORP R L PRIEM MARKETING ASSOCIATE 6003 EXECUTIVE BLVD ROCKVILLE MD 20852
116127052980	1	99999	COOPER ENERGY SERVICES C-B RECIPROCATING M J HELMICH MANAGER LINCOLN AVE GROVE CITY PA 16127
116127091460	1	99999	COOPER INDUSTRIES INC ENERGY SERVICES DIV W H A LAMBERT QA MANAGER 150 LINCOLN GROVE CITY PA 16127
143050052981	1	99999	COOPER INDUSTRIES INC COOPER ENERGY SERVICES G W MIZER TECH SERV AND QA MANAGER NORTH SANDUSKY STREET MT VERNON OH 43050
258321005853	1	99999	COOPER NUCLEAR STATION L LESSOR STATION SUPERINTENDENT PJ BOX 98 BROWNVILLE NE 68321
116423052982	1	99999	COPEL VULCAN ADV MANAGER POST OFFICE BOX 577 LAKE CITY PA 16423
116423091461	1	99999	COPEL VULCAN DALE MAYS QC MANAGER MARTIN & RICE AVE LAKE CITY PA 16423
102910052983	1	99999	CORNER & LADA CO INC W T ALLEN QUALITY ASSURANCE MNGR 1341 ELMWOOD AVENUE CRANSTON RI 02910
127622091464	1	99999	CORPORATE CONSULTING & DEV CO C BLANDON QA MANAGER PJ BOX 30096 RALEIGH NC 27622
127709092824	1	99999	CORPORATE CONSULTING & DEV CO STEPHEN A LEHRMAN MANAGER-SEISMIC PROJECTS PO BOX 12728 RESEARCH TRIANGLE PK NC 27709
231513005790	1	99999	COUNTY OF APPLING COUNTY COMMISSIONERS CHAIRMAN COUNTY COURTHOUSE BAXLEY GA 31513
220768005876	1	99999	COUNTY OF CALVERT BD OF COUNTY COMMISSIONERS MARY HARRISON PRESIDENT PRINCE FREDERICK MD 20768

249720005390 1 99999
COUNTY OF CHARLEVOIX
COUNTY BOARD OF COMMISSIONERS
CHAIRMAN
CHARLEVOIX MI 49720

232650093345 1 99999
COUNTY OF CITRUS
BOARD OF COMMISSIONERS
IVERNESS FL 32650

297501006345 1 99999
COUNTY OF COLUMBIA
BD OF COUNTY COMMISSIONERS
ROBERT M HUNT
CHAIRMAN
ST HELENS OR 97501

217101007083 1 99999
COUNTY OF DAUPHIN
LARRY HOCHENDORER
COMMISSIONER
PO BOX 1295
HARRISBURG PA 17101

255089005941 1 99999
COUNTY OF GOODHUE
EMERGENCY MANAGEMENT
RENATE C PAULSEN
DIRECTOR
COURT HOUSE
RED WING MN 55089

195501091019 1 99999
COUNTY OF HUMBOLDT
BOARD OF SUPERVISORS
CHAIRMAN
825 FIFTH ST COUNTY COURTHSE
EUREKA CA 95501

244077006128 1 99999
COUNTY OF LAKE
DONALD J EZZONE
ASSISTANT PROSECUTING ATTORNEY
105 MAIN ST
PAINSVILLE OH 44077

243452005779 1 99999
COUNTY OF OTTAWA
DISASTER SERVICES AGENCY
JAMES P GREER
315 MADISON ST
RM 308
PORT CLINTON OH 43452

295814007101 1 99999
COUNTY OF SACRAMENTO
BOARD OF SUPERVISORS
700 H ST
RM 2450
SACRAMENTO CA 95814

292101005377 1 99999
COUNTY OF SAN DIEGO
BOARD OF SUPERVISORS
CHAIRMAN
SAN DIEGO CA 92101

233450005903 1 99999
COUNTY OF ST LUCIE
WELDON B LEWIS
COUNTY ADMINISTRATOR
2300 VIRGINIA AVENUE
ROOM 104
FORT PIERCE FL 33450

223683005668 1 99999
COUNTY OF SURRY
BOARD OF SUPERVISORS
SHERLOCK HOLMES
CHAIRMAN
SURRY COUNTY COURTHOUSE
VA 23683

268008005922 1 99999
COUNTY OF WASHINGTON
BOARD OF SUPERVISORS
EMMETT ROBERT
CHAIRMAN
COURTHOUSE-16TH & COLFEX ST
BLAIR NE 68008

280632006315 1 99999
COUNTY OF WELD
BD OF COUNTY COMMISSIONERS
CHAIRMAN
PO BOX 758
GREELEY CO 80632

255313005664 1 99999
COUNTY OF WRIGHT
BOARD OF COMMISSIONERS
RICHARD W NORMAN
EXECUTIVE SECRETARY
BUFFALO MN 55313

107094037904 1 99999
COURTER & CO INC
QA/QC
JAMES T SCHMIT
150 MEADOWLANDS PKWY
SECAUCUS NJ 07094

160188103059 1 99999
CRANE CO
DIRECTOR OF ENGINEERING
475 N GARY AVE
CAROL STREAM IL 60188

101151053737 1 99999
CRANE CO
QUALITY ENGINEERING
D E KUHN
QA MANAGER
203 HAMPSHIRE ST
INDIAN ORCHARD MA 01151

163104052985 1 99999
CRANE MIDWEST FITTINGS
D F BETZ
QA MANAGER
1450 SOUTH SECOND STREET
ST LOUIS MO 63104

102093091466 1 99999
CROSBY VALVE & GAGE CO
JOSEPH GREENE
QA MANAGER
43 KENDRICK ST
WRENTHAM MA 02093

102093052985 1 99999
CROSBY VALVE & GAGE CO
W D GREENLAW
43 KENDRICK ST
WRENTHAM MA 02093

119468056822 1 99999
CROUSE NUCLEAR ENERGY SERVICES
J T STEINMETZ
UPPER LEWIS ROAD
LINFIELD PA 19468

IFINLA064852 1 99999
CRT FJR RAD & NUC SAF
DEPT OF NUCLEAR SAFETY
EJROLA TAPIO
ADMINISTRATOR
PO BOX 268
SF-00101 HELSINKI 10 FINLAND

145206092264 1 99999
CVG ADVERTISING INC
2212 VICTORY PKWY
CINCINNATI OH 45206

102210066214 1 99999
CYGNA ENERGY SERVICES
GEORGE D BRADLEY
LICENSING ENGINEER
286 CONGRESS ST
7TH FL
BOSTON MA 02210

194111055551 1 99999
CYGNA ENERGY SERVICES
TECHNICAL LIBRARY SERVICES
JERRY WONG
101 CALIFORNIA ST
SUITE 1000
SAN FRANCISCO CA 94111

103874052989 1 99999
D G O'BRIEN INC
D G O'BRIEN
PRESIDENT
ONE CHASE PARK
SEABROOK NH 03874

154532080467 1 99999
DAIRYLAND POWER COOPERATIVE
LACROSSE NPS
PLANT MANAGER
PO BOX 275
GENEA WI 54632

154601003037 1 99999
DAIRYLAND POWER COOPERATIVE
JIM TAYLOR
ASST GENERAL MANAGER
2615 E AVENUE SOUTH
LACROSSE WI 54601

129602091471 1 99999
DANIEL INTERNATIONAL CORP
PIPE FAB DIV
GREENVILLE SC 29602

129405051944 1 99999
DATOMATION INC
NED JOHNSON
PO BOX 71108
CHARLESTON SC 29405

117101102894 1 99999
DAUPHIN CITY BD OF COMMISSIONERS
DAUPHIN CO COURTHOUSE
JOHN E MINNICH
CHAIRPERSON
FRONT & MARKET STS
HARRISBURG PA 17101

206103005416 1 99999
DAY BERRY & HOWARD
COUNSELORS AT LAW
CITY PLACE
HARTFORD CT 06103

107830091469 1 99999
CUSTOM ALLOY CORP
T PALUMBO
QA MANAGER
RTE 513
CALIFON NJ 07830

143216064467 1 99999
CVI INC
WALLACE R RUSKIN
QA MANAGER
PO BOX 2138
COLUMBUS OH 43216

199352066212 1 99999
CYGNA ENERGY SERVICES
FAWAZ KHANACHET
BRANCH OFFICE MANAGER
2952 GEORGE WASHINGTON WAY
RICHLAND WA 99352

103874091470 1 99999
D G O'BRIEN INC
WALTER E CLEMENTS
QA MANAGER
ONE CHASE PARK
PO BOX 159
SEABROOK NH 03874

115235065986 1 99999
D'APPOLONIA CONSULTING ENG INC
PATRICK F OHARA
10 DUFF RD
PITTSBURGH PA 15235

254601005499 1 99999
DAIRYLAND POWER COOPERATIVE
FRANK LINDER
GENERAL MANAGER
2615 EAST AVENUE SOUTH
LACROSSE WI 54601

129602091472 1 99999
DANIEL CONSTRUCTION CO
LAWRENCE MCGRIFF
QA MANAGER
DANIEL BLDG
GREENVILLE SC 29602

122170091783 1 99999
DARELL BEVIS ASSOCIATES INC
311 HICKORY LA RTE 2
BOX 311
STERLING VA 22170

117108102893 1 99999
DAUPHIN CITY BD OF COMMISSIONERS
LARRY HOCHENDORNER
PO BOX 1295
HARRISBURG PA 17108

117101102895 1 99999
DAUPHIN CITY OFC EMERGENCY PREP
COURT HOUSE
FRONT & MARKET STS
ROOM 7
HARRISBURG PA 17101

106103056273 1 99999
DAY BERRY & HOWARD
GERALD GARFIELD
CITY PLACE
HARTFORD CT 06103

194621091473	1	99999	DE LAVAL TURBINE INC ENGINE & COMPRESSOR DIV R E BOYER QA MANAGER 550 85TH AVE OAKLAND	CA	94621
219903006459	1	99999	DELAWARE DEPT OF NATL RESOURCE DIV OF ENVIRONMENTAL CONTROL MANAGER-TECHNICAL SERVICES PJ BOX 1401 DOVER	DE	19903
119903036537	1	99999	DELAWARE DEPT OF NATL RESOURCE ENVIRONMENTAL CONTROL HARRY OTTO 89 KINGS HWY POB 1401 DOVER	DE	19903
1WGERM011714	1	99999	DER BUNDESMINISTER DES INNERN REACTOR SAF & RAD PROT BERG KARL-HEINZ ADMINISTRATOR POSTFACH 170 290 D-5300 BOHN 1	WGERMANY	
148166080532	1	99999	DETROIT EDISON CO ENRICO FERMI 2 NPS PLANT MANAGER 6450 NORTH DIXIE HIGHWAY NEWPORT	MI	48166
148166101365	1	99999	DETROIT EDISON CO PRODUCTION INFO CENTER 6400 N DIXIE HWY 104EF2 OSB NEWPORT	MI	48166
248166006500	1	99999	DETROIT EDISON CO O KEEVER EARLE SUPERVISOR-LICENSING 6400 N DIXIE HWY NEWPORT	MI	48166
248226006501	1	99999	DETROIT EDISON CO FERMI 2 NPS WILLIAM J FAHRNER MANAGER- FERMI 2 2000 SECOND AVE DETROIT	MI	48226
248226000530	1	99999	DETROIT EDISON CO PETER A MARQUARDT ESQUIRE 2000 SECOND AVENUE DETROIT	MI	48226
143130091475	1	99999	DIAMOND POWER SPECIALTY CORP PETER SCHLERETH QA MANAGER 2600 E MAIN PIKE LANCASTER	OH	43130
102138021605	1	99999	DIS/ADLPIPE INC WALLACE B WRIGHT 55 WHEELER ST CAMBRIDGE	MA	02138
219903093954	1	99999	DEFENSE NUCLEAR AGENCY ARMED FORCES RADIOBIO RES INST REACTOR BR-PHYSICIST-IN-CHARGE BETHESDA	MD	20814
219903093954	1	99999	DELAWARE DEPT OF NATL RESOURCE LEGAL OFFICE CAROL E DELANEY 89 KINGS HWY POB 1401 DOVER	DE	19903
119899003040	1	99999	DELMARVA POWER & LIGHT CO F A COOK 800 KING ST WILMINGTON	DE	19899
115222067155	1	99999	DESIGN SERVICES GROUP RAY KATHIRESAN MANAGER 401 WOOD ST PITTSBURGH	PA	15222
148166101364	1	99999	DETROIT EDISON CO NOC INFORMATION CENTER 6400 N DIXIE HWY 160EF2 NOC NEWPORT	MI	48166
148166081083	1	99999	DETROIT EDISON CO NUCLEAR OPERATIONS TRAINING LARRY BAUMGART SR NUCLEAR TRAINING SPECIALIST 6400 N DIXIE HWY NEWPORT	MI	48166
148226064715	1	99999	DETROIT EDISON CO INFORMATION SYSTEMS H EBNER SUPERVISOR 2000 SECOND AVE DETROIT	MI	48226
148226025992	1	99999	DETROIT EDISON CO NUCLEAR OPERATIONS WAYNE H JENS VICE PRESIDENT 2000 SECOND AVE DETROIT	MI	48226
148226079139	1	99999	DETROIT EDISON CO R G RATEICK 2000 SECOND AVE DETROIT	MI	48226
115236094197	1	99999	DICK CORP J A LONG QA COORDINATOR PO BOX 10895 PITTSBURGH	PA	15236
122101065227	1	99999	DOMINION ENGINEERING INC M J PARTRIDGE 6862 ELM STREET MCLEAN	VA	22101

294102005654	1	99999	DONOHUE JONES BROWN & CLIFFORD LINDA J BROWN 100 VAN NESS AVE 19TH FLOOR SAN FRANCISCO	CA	94102
120006092868	1	99999	DOUB & MUNTZING SOUTHERN STATES ENERGY BOARD WILLIAM O DOUB FEDERAL REPRESENTATIVE 1875 EYE ST NW WASHINGTON	DC	20006
148640100778	1	99999	DOW CHEMICAL CO INDUSTRIAL HYGIENE LABORATORY RADIATION SAFETY OFFICER 1803 BUILDING MIDLAND	MI	48640
148640100779	1	99999	DOW CHEMICAL CO LARKIN LABORATORY DICK ROZELLE MIDLAND	MI	48640
190650091476	1	99999	DRAGON VALVES INC KEN D HAGGARD QA MANAGER 13457 EXCELSIOR DR NORWALK	CA	90650
145750091477	1	99999	DRAVO CORP PIPE FABRICATION DIV W A MOLVIE QA MANAGER 1115 GILMAN AVE MARIETTA	OH	45750
171301091478	1	99999	DRESSER INDUSTRIES INC INDUSTRIAL VALVE DIV B G BRUNSON Q SYS MANAGER PO BOX 1430 ALEXANDRA	LA	71301
129579093903	4	99999	DJKE POWER CO OCONEE NUCLEAR STATION LICENSING ENGINEER PO BOX 1439 SENECA	SC	29679
129579103021	1	99999	DJKE POWER CO OCONEE 2 NPS PLANT MANAGER SENECA	SC	29679
129342080967	1	99999	DUKE POWER CO CHEROKEE NUCLEAR STATION M E BAILEY SITE MANAGER PO BOX 400 GAFFNEY	SC	29342
128242091030	1	99999	DUKE POWER CO A CARR ASSOCIATE GENERAL COUNSEL PO BOX 33189 CHARLOTTE	NC	28242
120006102095	1	99999	DOUB & MUNTZING JOSEPH H CHIVERS 1875 EYE ST NW WASHINGTON	DC	20006
148640100777	1	99999	DOW CHEMICAL CO DOW TRIGA RESEARCH REACTOR REACTOR SUPERVISOR 1602 BUILDING MIDLAND	MI	48640
148640062969	1	99999	DOW CHEMICAL CO RESEARCH CENTER BUILDING MANAGER-1602 DOW TRIGA REACTOR MIDLAND	MI	48640
190650052991	1	99999	DRAGON VALVES INC ROBERT E BOND VICE PRESIDENT PO BOX 489 NORWALK	CA	90650
145750052992	1	99999	DRAVO CORP PIPE FABRICATION DIVISION KENNETH B ANDERSON GENERAL MANAGER 1115 GILMAN AVENUE MARIETTA	OH	45750
260450005418	1	99999	DRESDEN NUCLEAR POWER STATION PLANT SUPERINTENDENT RURAL ROUTE #1 MORRIS	IL	60450
190255091622	1	99999	DRESSER INDUSTRIES INC PACIFIC PUMPS DIV D J MOYER QA MANAGER 5715 BICKETT ST HUNTINGTON PARK	CA	90255
129579103019	1	99999	DUKE POWER CO OCONEE 1 NPS PLANT MANAGER SENECA	SC	29679
129679103023	1	99999	DUKE POWER CO OCONEE 3 NPS PLANT MANAGER SENECA	SC	29679
128242028120	1	99999	DUKE POWER CO NUCLEAR PRODUCTION DEPT K S CANADY MANAGER PO BOX 33189 CHARLOTTE	NC	28242
228242007094	1	99999	DUKE POWER CO NUCLEAR PRODUCTION DIV G A COPP PO BOX 33189 CHARLOTTE	NC	28242

128242081033	1	99999	DUKE POWER CO DESIGN ENGINEERING L C DAIL VICE PRESIDENT PO BOX 33189 CHARLOTTE	NC 28242
128031080896	2	99999	DUKE POWER CO MCGUIRE NPS M D MCINTOSH PLANT MANAGER PO BOX 488 CORNELIUS	NC 28031
129710080556	1	99999	DUKE POWER CO CATAWBA 2 NPS J C ROGERS PROJECT MANAGER PO BOX 223 CLOVER	SC 29710
128242006327	1	99999	DUKE POWER CO MCGUIRE NPS 1 & 2 C F YORK PROJECT MANAGER PO BOX 33189 CHARLOTTE	NC 28242
115077080571	1	99999	DUQUESNE LIGHT CO BEAVER VALLEY 1 NPS PLANT MANAGER PO BOX 4 SHIPPINGPORT	PA 15077
115077091033	1	99999	DUQUESNE LIGHT CO BVPS-2 RECORDS MGMT SUPERVISOR PO BOX 4 SHIPPINGPORT	PA 15077
115077064666	1	99999	DUQUESNE LIGHT CO BEAVER VALLEY NPS J J CAREY VICE PRESIDENT-NUCLEAR PO BOX 4 SHIPPINGPORT	PA 15077
215077006546	1	99999	DUQUESNE LIGHT CO NUCLEAR OPERATIONS T D JONES MANAGER PO BOX 4 SHIPPINGPORT	PA 15077
115077080919	1	99999	DUQUESNE LIGHT CO W S LACEY STATION SUPERINTENDENT PO BOX 4 SHIPPINGPORT	PA 15077
115219030948	1	99999	DUQUESNE LIGHT CO R M MAFRICE NUCLEAR ENGINEER 435 SIXTH AVENUE PITTSBURGH	PA 15219
115077079147	1	99999	DUQUESNE LIGHT CO NUCLEAR SAFETY & LICENSING DPT J D SIEBER MANAGER PO BOX 4 SHIPPINGPORT	PA 15077
129710080553	1	99999	DUKE POWER CO CATAWBA 1 NPS J W HAMPTON STATION MANAGER PO BOX 256 CLOVER	SC 29710
128242094165	1	99999	DUKE POWER CO WILLIAM L PORTER ASSOCIATE GENERAL COUNSEL PO BOX 33189 CHARLOTTE	NC 28242
128242081247	1	99999	DUKE POWER CO NUCLEAR PRODUCTION DEPT H B TUCKER VICE PRESIDENT PO BOX 33189 CHARLOTTE	NC 28242
106110091479	1	99999	DUNHAM BUSCH INC ROBERT HUCK QC MANAGER 179 SOUTH ST W HARTFORD	CT 06110
115077080572	1	99999	DUQUESNE LIGHT CO BEAVER VALLEY 2 NPS PLANT MANAGER PO BOX 4 SHIPPINGPORT	PA 15077
115077003061	1	99999	DUQUESNE LIGHT CO BEAVER VALLEY POWER STATION F J BISSERT PO BOX 4 SHIPPINGPORT	PA 15077
115077079396	1	99999	DUQUESNE LIGHT CO C E EWING QUALITY ASSURANCE MANAGER PO BOX 186 SHIPPINGPORT	PA 15077
115205079395	1	99999	DUQUESNE LIGHT CO E F KURTZ MANAGER-REGULATORY AFFAIRS RTE 60 ROBINSON PLAZA BLDG-2 SUITE 210 PITTSBURGH	PA 15205
115229092355	1	99999	DUQUESNE LIGHT CO JOHN A LEE 1 OXFORD CENTRE PITTSBURGH	301 GRANT ST PA 15229
115279090009	1	99999	DUQUESNE LIGHT CO MECHANICAL ENGR DEPT ROGER E MARTIN 301 GRANT ST 1 OXFORD CENTER 1B-1 PITTSBURGH	PA 15279
115205079394	1	99999	DUQUESNE LIGHT CO H M SIEGEL MANAGER OF ENGINEERING RTE 60 ROBINSON PLAZA BLDG-2 SUITE 210 PITTSBURGH	PA 15205

115077062825 1 99999
DUQUESNE LIGHT CO
SHIPPINGPORT ATOMIC POWER STA
W E STRAYHORN
STATION OFFICE MANAGER
PO BOX 57
SHIPPINGPORT PA 15077

115205079434 1 99999
DUQUESNE LIGHT CO
NUCLEAR CONSTRUCTION DIV
R WASHABAUGH
RTE 60 ROBINSON PLAZA BLDG-2
SUITE 210
PITTSBURGH PA 15205

103824094151 1 99999
DURHAM BOARD OF SELECTMEN
OWEN B DURGIN
CHAIRMAN
TOWN OF DURHAM
DURHAM NH 03824

108903057904 1 99999
E R SQUIBB & SONS INC
CHARLES F BOYLE
GEORGES ROAD
NEW BRUNSWICK NJ 08903

180112091480 1 99999
E-MAX INSTRUMENTS INC
JOHN TARNOSKY
QA MANAGER
14 IVERNESS DR E
ENGLEWOOD CO 80112

111704091483 1 99999
EAST-WEST TECHNOLOGY CORP
A G DAVIS
PRESIDENT
119 CABOT ST
W BABYLON NY 11704

118001092831 1 99999
EATON CORP
CJTLER HAMMER PRODUCTS
EDWARD P SHEPWOOD
LEHIGH VALLEY INDUSTRIAL PARK
2225 AVE A
BETHLEHEM PA 18001

110048093235 1 99999
EBASCO SERVICES INC
ADVANCED TECHNOLOGY
D R DEBOISBLANC
2 WORLD TRADE CENTER
89TH FLJDR
NEW YORK NY 10048

111375000979 1 99999
EBASCO SERVICES INC
MECHANICAL DEVELOPMENT
IVAN GROSZ
110-34 73RD RD
FOREST HILLS NY 11375

110048091486 1 99999
EBASCO SERVICES INC
B R MAZO
CHIEF QA ENGINEER
2 WORLD TRADE CENTER
NEW YORK NY 10048

130092026013 1 99999
EBASCO SERVICES INC
JAMES C O'HARA
CONSULTING ENGINEER
145 TECHNOLOGY PARK/ATLANTA
NORCROSS GA 30092

115077079148 1 99999
DUQUESNE LIGHT CO
BEAVER VALLEY NPS-NUCLEAR
N R TONET
MANAGER-NUCLEAR ENGINEERING
PO BOX 4
SHIPPINGPORT PA 15077

115205079460 1 99999
DUQUESNE LIGHT CO
BEAVER VALLEY 2
EARL J WOODLEVER
RTE 60 ROBINSON PLAZA BLDG-2
SUITE 210
PITTSBURGH PA 15205

143081091773 1 99999
E L PEEBLES MANUFACTURING INC
6938 1/2 SUNBURY RD
WESTERVILLE OH 43081

184119053002 1 99999
E SYSTEMS INC
MONTEK DIV
J LYNCH
QA MGR
2268 SOUTH 3270 WEST
SALT LAKE CITY UT 84119

184119091481 1 99999
E-SYSTEMS
MONTEK DIVISION
JERRY LUCKY
QA DIRECTOR
2268 SOUTH 3270 WEST
SALT LAKE CITY UT 84119

144202091484 1 99999
EATON CORP
PROCESS CONTROLS DIV
BARTON KING
QA MANAGER
1199 S CHILLICOTHE RD
AURORA OH 44202

110048026636 2 99999
EBASCO SERVICES INC
CORPORATE LIBRARY
LIBRARY ASSISTANT
2 WORLD TRADE CENTER
92N FL
NEW YORK NY 10048

130092038060 1 99999
EBASCO SERVICES INC
PIPE STRESS ANALYSIS
R H DIETZ
SUPERVISING ENGINEER
145 TECHNOLOGY PARK
NORCROSS GA 30092

110048065530 1 99999
EBASCO SERVICES INC
DIONE KROBETZKY
TWO WORLD TRADE CENTER
88TH FL
NEW YORK NY 10048

110048093813 1 99999
EBASCO SERVICES INC
R MCDERMAND
MANAGER-AVAILABILITY & RELIAB
TWO WORLD TRADE CENTER
NEW YORK NY 10048

110048038050 1 99999
EBASCO SERVICES INC
NUCLEAR LICENSING
VINCE PATUTO
TWO WORLD TRADE CENTER
90TH FL
NEW YORK NY 10048

111753022462	1	99999	EBASCO SERVICES INC L PHELAN LIBRARIAN 1 JERICHO PLAZA JERICHO	NY	11753
110048103037	1	99999	EBASCO SERVICES INC FRANK RENTZ TWO WORLD TRADE CENTER 88TH FL NEW YORK	NY	10048
110048103038	1	99999	EBASCO SERVICES INC L ROBINS TWO WORLD TRADE CENTER 88TH FL NEW YORK	NY	10048
187501091487	1	99999	EBERLINE INSTRUMENT CORP R HERD PRESIDENT PO BOX 2108 SANTA FE	NM	87501
194947102928	1	99999	ECHO ENERGY CONSULTANTS MANAGER OF QUALITY ASSURANCE 1049 SUSAN WAY NOVATO	CA	94947
115219022945	1	99999	ECKERT SEAMANS CHERIN MELLOTT BARTON Z COWAN 600 GRANT STREET 42ND FLOOR PITTSBURGH	PA	15219
119355008722	1	99999	ECOLAIRE SYSTEMS INC ENGINEERING CARL L NEWMAN VICE PRESIDENT 2 COUNTRY VIEW RD MALVERN	PA	19355
107047094003	1	99999	ECOTECH INC L P GRADIN 5418 TONNELLE AVE NORTH BERGEN	NJ	07047
130303094392	1	99999	ECPG 175 TRINITY AVE SW ATLANTA	GA	30303
120036079255	1	99999	EDISON ELECTRIC INSTITUTE SUZANNE PHELPS MANAGER-NUCLEAR PROGRAMS 1111 19TH ST NW WASHINGTON	DC	20036
183415094016	1	99999	EGEG IDAHO INC HEALTH & SAFETY DIV J L CLARK MANAGER PO BOX 1625 IDAHO FALLS	ID	83415
183415063556	1	99999	EGEG IDAHO INC CAL D DOUCETTE P O BOX 1625 IDAHO FALLS	ID	83415
183415091945	1	99999	EGEG IDAHO INC PROGRAMS RISK ADVISORY CMTE J CURTIS HAIRE CHAIRMAN PO BOX 1625 IDAHO FALLS	ID	83415
183415031484	1	99999	EGEG IDAHO INC INEL TECHNICAL LIBRARY BRENT N JACOBSEN LIBRARY SUPERVISOR PO BOX 1625 IDAHO FALLS	ID	83415
183415064221	1	99999	EGEG IDAHO INC QUALITY DIVISION H J KIRSCHENMANN MANAGER PO BOX 1625 IDAHO FALLS	ID	83415
183415092351	1	99999	EGEG IDAHO INC TED L RASMUSSEN PO BOX 1625 IDAHO FALLS	ID	83415
183415066803	1	99999	EGEG IDAHO INC J SINGH PO BOX 1625 IDAHO FALLS	ID	83415
183401062537	1	99999	EGEG IDAHO INC DAVID B VAN LEUVEN PO BOX 1625 TR 649 IDAHO FALLS	ID	83401
183415062748	1	99999	EGEG IDAHO INC PROGRAMS OPERATIONS & EVALUATI M S VARGO CHAIRMAN PO BOX 1625 IDAHO FALLS	ID	83415
110018093324	1	99999	EIC INTELLIGENCE CRAIG LUCAS ACQUISITIONS MANAGER 48 WEST 38TH ST NEW YORK	NY	10018
ISWITZ057566	1	99999	EIDG AMT FUR ENERGIEWIRTSCHAFT NUCLEAR SAFETY DIVISION ROLAND NAEGELIN ADMINISTRATOR 5303 WUERENLINGEN	SWITZERLA	
194303064766	1	99999	ELECTRIC POWER RESEARCH INST NANCY HALL 3412 HILLVIEW AVE PO BOX 104 PALO ALTO	CA	94303

194303054728 1 99999
ELECTRIC POWER RESEARCH INST
NSAC
ROBERT LEYSE
PROGRAM MANAGER
PO BOX 10412
PALO ALTO CA 94303

120008000334 1 99999
EMBASSY OF GREAT BRITAIN
INFO OFF SCIENCE & TECH DEPT
A P KING
SCIENTIFIC OFFICER
3100 MASSACHUSETTS AVE NW
WASHINGTON DC 20008

ITALY008074 1 99999
ENEA
DISP
VANNI PIERO
ADMINISTRATOR-EXTERNAL RELAT
VIA VITALIANO BRANCATI 48
00144 ROME ITALY

115222062525 1 99999
ENERGY CONSULTANTS INC
CORPORATE LIBRARIAN
121 SEVENTH STREET
PITTSBURGH PA 15222

183401091489 1 99999
ENERGY INC
W V BOTTS
PRESIDENT
PO BOX 736
IDAHO FALLS ID 83401

183402002752 1 99999
ENERGY INC
TECHNICAL LIBRARY
JACKIE LOOP
PO BOX 736
IDAHO FALLS ID 83402

102154032003 1 99999
ENERGY RESEARCH GROUP INC
ROBERT CAPSTICK
400-1 TOTTEN POND ROAD
WALTHAM MA 02154

102818091790 1 99999
ENGINEERING ANALYSIS SERVICES
PO BOX 657
EAST GREENWICH RI 02818

101701100695 1 99999
ENGINEERING PLANNING & MGT INC
POINT WEST OFFICE CENTER
STEPHEN MALONEY
3 SPEEN ST
FRAMINGHAM MA 01701

119006082333 1 99999
ENGLESSON & CASAPIS CONSULTANT
GEORGE A ENGLESSON
2186 PACKARD AVE
HUNTINGDON VALLEY PA 19006

195126054738 1 99999
ENTOR CORP
JACK WEBER
1885 THE ALAMEDA
SAN JOSE CA 95126

127625081263 1 99999
ELECTRICITIES OF N CAROLINA
WILLIAM G WEMHOFF
PO BOX 95162
RALEIGH NC 27625

120037000346 1 99999
EMBASSY OF JAPAN
SCIENCE SECTION
TETSUHISA SHIRAKAWA
600 NEW HAMPSHIRE AVE NW
SUITE 900
WASHINGTON DC 20037

120006093383 1 99999
ENEA
MARIA G STEPHANZ
818 18TH ST NW
SUITE 500
WASHINGTON DC 20006

198504091024 1 99999
ENERGY FACILITY SITE EVAL CNCL
EXECUTIVE SECRETARY
PY-11
OLYMPIA WA 98504

120850051943 1 99999
ENERGY INC
KAY DOVE
RESEARCH CONSULTANT
118 MONROE ST
SUITE 302
ROCKVILLE MD 20850

202154001413 1 99999
ENERGY RESEARCH GROUP INC
400-1 TOTTEN POND ROAD
WALTHAM MA 02154

191304092712 1 99999
ENERGY TECHNOLOGY ENGR CENTER
FACILITY DESIGN ENGR
L J AUGE
MANAGER
PO BOX 1449
CANOGA PARK CA 91304

120814091792 1 99999
ENGINEERING PLANNING & MGT INC
ROGER W HUSTON
MANAGER
7910 WOODMONT AVE SUITE 1200
BETHESDA MD 20814

177248091490 1 99999
ENGINEERS & FABRICATORS CO
CHARLES HAAS
QA MANAGER
3501 WEST 11TH STREET
POB 7395
HOUSTON TX 77248

195159055107 1 99999
ENTOR CORP
DONALD BAUL
PO BOX 28450
SAN JOSE CA 95159

116801028533 1 99999
ENVIRON COALITION ON NUC POWER
JUDITH JOHNSRUD
433 ORLANDO AVE
STATE COLLEGE PA 16801

127514094157 L 99999
ENVIRONMENTAL LAW PROJECT
SCHOOL OF LAW 064A
GEORGE JACKSON
UNIVERSITY OF N CAROLINA
CHAPEL HILL NC 27514

160148065622 1 99999
EQES INC
N K AGNIHOTRI
PRESIDENT
505 N LALONDE
LOMBARD IL 60148

192710091492 L 99999
ESCO CORP
J R CAMPBELL
QA DIRECTOR
2141 NW 25TH AVE
PORTLAND OR 92710

1SAFRI057401 1 99999
ESCOM CORP
LIBRARY
L VAN RENSBURG
LIBRARIAN
PO BOX 1091
JOHANNESBURG 2000 SAFRICA

122314079030 L 99999
ESSEX CORP
CANYON RESEARCH GROUP
ERNEST J CONWAY
333 N FAIRFAX ST
SUITE B
ALEXANDRIA VA 22314

120895094456 1 99999
ETA TECHNICAL ASSOCIATES
11221 WOODSON AVE
KENSINGTON MD 20395

114136091493 L 99999
EXCELCO DEVELOPMENTS INC
M M PULAWSKI
QA MANAGER
MILL ST
SILVER CREEK NY 14136

119167052998 1 99999
EXIDE CORP
INDUSTRIAL
ROBERT W HIGHT
QUALITY ASSURANCE ENGINEER
19 WEST COLLEGE AVENUE
YARDLEY PA 19167

119044091494 L 99999
EXIDE CORP
ART J USHKA
QA MANAGER
101 GILBRALTAR RD
HORSHAM PA 19044

119044100642 1 99999
EXIDE CORP
JOHN F VINKLER
MKT SERVICE SUPPORT ENGR
101 GILBRALTAR RD
HORSHAM PA 19044

127658091497 L 99999
EXIDE ELECTRONICS
JAMES W FINNEGAN
QA MANAGER
3301 SPRING FOREST RD
RALEIGH NC 27658

199352001686 2 99999
EXXON NUCLEAR COMPANY INC
RESEARCH & TECHNOLOGY CENTER
LIBRARIAN
2101 HORN RAPIDS ROAD
LIBRARY
RICHLAND WA 99352

199352082403 L 99999
EXXON NUCLEAR COMPANY INC
RELOAD FUEL LICENSING
G F OWLSLEY
2101 HORN RAPIDS RD
PO BOX 130
RICHLAND WA 99352

199352091498 1 99999
EXXON NUCLEAR COMPANY INC
NUCLEAR FUEL DEPT
C J VOLMER
QA MANAGER
2101 HORN RAPIDS RD
RICHLAND WA 99352

175229081453 L 99999
F & M TECHNICAL SERVICES INC
D L MARTIN
PRESIDENT
PO BOX 59387
DALLAS TX 75229

102062100689 1 99999
FACTORY MUTUAL ENGINEERING
MYRON J MILLER
SPECIAL PROJECTS ENGINEER
1151 BOSTON-PROVIDENCE TPKE
PO BOX 688
NORWOOD MA 02062

102062081640 L 99999
FACTORY MUTUAL RESEARCH CORP
GEORGE E WELDON
1151 BOSTON-PROVIDENCE TPKE
NORWOOD MA 02062

118403000879 1 99999
FAIRCHILD WESTON SYSTEMS INC
WESTON CONTROLS DIV
A F KOHL
TECH LIBRN
KENNEDY DRIVE
ARCHBALD PA 18403

190245091506 L 99999
FARR CO
LEN LEONARD
Q SYSTEMS MANAGER
2301 ROSECRANS AVE AIRPORT ST
POB 92187
LOS ANGELES CA 90245

1FINLA003521 1 99999
FINLAND INST OF RADIAT PROTECT
DEPARTMENT OF NUCLEAR SAFETY
A VJORINEN
DIRECTOR
PO BOX 268
00101 HELSINKI 10 FINLAND

150158091508 L 99999
FISHER CONTROLS INTERNATIONAL
GEORGE BAIFINGER
QA MANAGER
PO BOX 190
MARSHALLTOWN IA 50158

150158091507 1 99999
FISHER CONTROLS INTERNATIONAL
LAWRENCE FLEETWOOD
QA MANAGER
205 S CENTER ST PO BOX 190
MARSHALLTOWN IA 50158

150158021209 1 99999
FISHER CONTROLS INTERNATIONAL
FLOYD D JURY
NUCLEAR TECH MANAGER
PO BOX 11
MARSHALLTOWN IA 50158

150158053007 1 99999
FISHER CONTROLS INTERNATIONAL
PHIL MAYBERRY
MANAGER-PROJECT MGMT & SVCS
205 SOUTH CENTER ST
MARSHALLTOWN IA 50158

191720057035 1 99999
FLEET ANALYSIS CENTER
GIDEP
WILLIAM ARNITZ
PROGRAM DIRECTOR
CORONA CA 91720

292653006398 1 99999
FLEMING ANDERSON MCCLUNG ET AL
CHARLES E MCCLUNG
24012 CALLE DE LA PLATA
SUITE 330
LAGUNA HILLS CA 92653

132301012054 3 99999
FLORIDA DEPT OF HLTH & REHAB
RADIATION CONTROL PROGRAM
LYLE JERRETT
1317 WINEWOOD BLVD
SUITE 219
TALLAHASSEE FL 32301

132301031189 1 99999
FLORIDA OFFICE OF GOVERNOR
NATURAL RESOURCES POLICY UNIT
WALT KOLB
STATE CAPITOL
RM 530
TALLAHASSEE FL 32301

232301005797 1 99999
FLORIDA OFFICE OF PUBL COUNSEL
JACK SCHREVE
HOLLAND BLDG
ROOM 4
TALLAHASSEE FL 32301

133457080593 1 99999
FLORIDA POWER & LIGHT CO
ST LUCIE 1 NPS
PLANT MANAGER
JENSEN BEACH FL 33457

133257103046 1 99999
FLORIDA POWER & LIGHT CO
TURKEY POINT 4 NPS
PLANT MANAGER
PO BOX 57-1185
MIAMI FL 33257

133454064618 1 99999
FLORIDA POWER & LIGHT CO
G KOZLOWSKI
VAULT CUSTODIAN
PO BOX 128
PSL-1 QC
FT PIERCE FL 33454

133152064725 1 99999
FLORIDA POWER & LIGHT CO
D F MORGAN
MGR-CORP RECORDS SERVICE
PO BOX 529100
MIAMI FL 33152

133408081117 1 99999
FLORIDA POWER & LIGHT CO
ADVANCED SYSTEMS & TECHNOLOGY
ROBERT E UHRIG
VICE PRESIDENT
PO BOX 14000
JUNO BEACH FL 33408

133454094115 1 99999
FLORIDA POWER & LIGHT CO
NUCLEAR ENERGY
C M WETHY
PLANT MANAGER
PO BOX 128
FORT PIERCE FL 33454

133102080592 1 99999
FLORIDA POWER & LIGHT CO
TURKEY POINT NPS
H E YAEGER
SITE MANAGER
PO BOX 029100
MIAMI FL 33102

133152064656 1 99999
FLORIDA POWER & LIGHT CO
K N YORK
DJCJMENT CONTROL SUPVR
PO BOX 529100
MIAMI FL 33152

233733005795 1 99999
FLORIDA POWER CORP
LEGAL DEPT
PO BOX 14042
ST PETERSBURG FL 33733

132629081354 1 99999
FLORIDA POWER CORP
CRYSTAL RIVER 3 NPS
E M HOWARD
PO BOX 219
NUS3
CRYSTAL RIVER FL 32629

132629081356 1 99999
FLORIDA POWER CORP
CRYSTAL RIVER 3 NPS
P F MCKEE
MANAGER
PO BOX 1240
CRYSTAL RIVER FL 32629

133733091044 1 99999
FLORIDA POWER CORP
NUCLEAR OPERATIONS
W S WILGUS
PO BOX 14042
MAC H-3
ST PETERSBURG FL 33733

132629093719 1 99999
FLORIDA POWER CORP
NUCLEAR LICENSING
K R WILSON
PO BOX 219
N453
CRYSTAL RIVER FL 32629

116103053008 1 99999
FLOWLINE CORP
BUTLER AVENUE EXTENSION
POST OFFICE BOX 860
NEW CASTLE PA 16103

116103091509 1 99999
FLOWLINE CORP
E H LEIMBACHER
VP & QA MANAGER
BUTLER AVE EXTENSION
NEW CASTLE PA 16103

160606091511 1 99999
FLUOR ENGINEERS INC
J E COOPER
QA/QC MANAGER
200 W MONROE ST
CHICAGO IL 60606

253202005829 1 99999
FOLEY & LARDNER
STEVEN E KEANE
777 EAST WISCONSIN AVENUE
MILWAUKEE WI 53202

175001053010 1 99999
FORNEY ENGINEERING CO
QUALITY ASSURANCE
STANLEY E CURRY
MANAGER-QUALITY ASSURANCE
PO BOX 189
ADDISON TX 75001

117110054545 1 99999
FOX FARR & CUNNINGHAM
JORDAN D CUNNINGHAM
2320 NORTH SECOND STREET
HARRISBURG PA 17110

102035064465 1 99999
FOXBORO CO
SYSTEMS OPERATIONS
SYSTEMS QUALITY SERVICE
MECHANIC ST
0961
FOXBORO MA 02035

102035091715 1 99999
FOXBORO CO
MECHANICAL OPERATIONS
RALPH CROWTHER
QC MANAGER
38 NEPONSET AVE
FOXBORO MA 02035

102035053012 3 99999
FOXBORO CO
NEPONSET PLANT
ROBERT G SHAW
38 NEPONSET AVE
DEPT 102
FOXBORO MA 02035

120007082365 1 99999
FRANCIS & MCGINNIS ASSOC
JAY MONAHAN
1050 THOMAS JEFFERSON ST
WASHINGTON DC 20007

119103091512 1 99999
FRANKLIN INSTITUTE
RESEARCH CENTER
A SAGGIOMO
QA MANAGER
20TH & RACE ST
PHILADELPHIA PA 19103

243603007102 1 99999
FULLER & HENRY
PAUL M SMART
300 MADISON AVE PO BOX 2088
TOLEDO OH 43603

107039056039 1 99999
FW ENERGY APPLICATIONS INC
CHARLES NASH
110 S ORANGE AVE
LIVINGSTON NJ 07039

160606008712 1 99999
FLUOR ENGINEERS INC
POWER DIV
D M LEPPKE
MGR TECH DEV
200 W MONROE ST
CHICAGO IL 60606

197009065442 1 99999
FORELAWS ON BOARD
LLOYD K MARSET
19142 S BAKERS FERRY RD
BORING OR 97009

107039053011 1 99999
FOSTER WHEELER ENERGY CORP
W J FINAN
QUALITY ASSURANCE
110 SOUTH ORANGE AVENUE
LIVINGSTON NJ 07039

102048091718 1 99999
FOXBORO CO
PANEL OPERATIONS
33 SUFFOLK RD
MANSFIELD MA 02048

102035091717 1 99999
FOXBORO CO
NEPONSET PLANT
M J BERBERIAN
CORP QA MANAGER
38 NEPONSET AVE
FOXBORO MA 02035

102035091716 1 99999
FOXBORO CO
FIELD OPERATIONS
FOREST LEATHERS
CORP QA MANAGER
38 NEPONSET AVE
FOXBORO MA 02035

115235011881 1 99999
FRAMATOME
C/O WESTINGHOUSE NES
CLAUDIA GRANCHE
300 PENN CENTER BLVD
SUITE 600
PITTSBURGH PA 15235

119103064783 1 99999
FRANKLIN INSTITUTE
FRANKLIN RESEARCH CENTER
S P CARFAGNO
NRC CONTRACT
20TH & RACE STS
PHILADELPHIA PA 19103

120037001779 1 99999
FRIED FRANK HARRIS ET AL
MARCUS A ROWDEN
600 NEW HAMPSHIRE AVE NW
SUITE 1000
WASHINGTON DC 20037

1BRAZIO28680 1 99999
FURNAS CENTRAIS ELECTRICAS SA
DIV BIBLIOTECA
RUA REAL GRANDEZA 219 203B
RIO DE JANEIRO 22283 BRAZIL

194598094189 1 99999
G C SLAGIS ASSOCIATES
GERALD C SLAGIS
2025 CLEARVIEW CT
WALNUT CREEK CA 94598

14ETHE091513	1	99999	G DIKKERS & CO NV C S CRAIG CHIEF EXECUTIVE INDUSTRIESTRAAT 15 OVRIJSS PO BOX 12 7550 AA HENGELO	NETHERLAN	192138001584	1	99999	GA TECHNOLOGIES INC NUCLEAR MATLS CONTROL DIV LICENSING ADMINISTRATOR P O BOX 81608 SAN DIEGO	CA 92138
120036020663	1	99999	GA TECHNOLOGIES INC JAMES B GRAHAM MANAGER-LICENSING 1025 CONNECTICUT AVE NW SUITE 704 WASHINGTON	OC 20036	185010052916	1	99999	GARRETT CORP PNEUMATICS SYSTEMS DIV RON MAGAW 2801 E WASHINGTON POB 5217 PHOENIX	AZ 85010
185010091514	1	99999	GARRETT TURBINE ENGINE CO PNEUMATICS SYSTEMS DIV B KULB QA MANAGER 111 SOUTH 34TH ST PHOENIX	AZ 85010	102149053014	1	99999	GAULIN CORP 44 GARDEN ST EVERETT	MA 02149
102149091515	1	99999	GAULIN CORP R REGIS QA MANAGER 44 GARDEN ST EVERETT	MA 02149	120874082467	1	99999	GENCON INC HERBERT FEINROTH 20030 CENTURY BLVD SUITE 302 GERMANTOWN	MD 20874
192138091517	1	99999	GENERAL ATOMIC CO F D CARPENDER Q SYSTEMS DEPT MANAGER PO BOX 81609 SAN DIEGO	CA 92138	192138082597	1	99999	GENERAL ATOMIC CO T R COLANDREA PO BOX 81608 SAN DIEGO	CA 92138
192138064750	1	99999	GENERAL ATOMIC CO L M RABJOHNS SUPERVISOR REC MGMT PO BOX 81608 SAN DIEGO	CA 92138	106830091518	1	99999	GENERAL CABLE CORP 500 W PUTMAN AVE GREENWICH	CT 06830
10634020097	2	99999	GENERAL DYNAMICS CORP ELECTRIC BOAT DIVISION MAINFILE-DEPT 633 EASTERN POINT RD GROTON	CT 06340	101910091520	1	99999	GENERAL ELECTRIC CO CONTROLS & INSTRUMENTS DIV 40 FEDERAL ST WEST LYNN	MA 01910
194086091516	1	99999	GENERAL ELECTRIC CO ENGY SYSTEMS & TECH DIV 310 DEGUIGNE DR SUNNYVALE	CA 94086	195125001598	1	99999	GENERAL ELECTRIC CO NUCLEAR ENERGY DIV LIBRARY 175 CURTNER AVE MC 528 SAN JOSE	CA 95125
128402001616	1	99999	GENERAL ELECTRIC CO WILMINGTON MANUFACTURING DEPT MANAGER-LICENSING & NMM P O BOX 780 J26 WILMINGTON	NC 28402	106602053735	1	99999	GENERAL ELECTRIC CO WIRE & CABLE BUSINESS DEPT 1285 BOSTON AVE 26Bw BRIDGEPORT	CT 06602
101910053023	1	99999	GENERAL ELECTRIC CO R F BUCKLEY MGR-ENGINEERING 40 FEDERAL STREET WEST LYNN	MA 01910	195125029555	1	99999	GENERAL ELECTRIC CO LAWRENCE J CHOCKIE 175 CURTNER AVENUE M/C 363 SAN JOSE	CA 95125
128402053025	1	99999	GENERAL ELECTRIC CO WILMINGTON MFG DEPARTMENT C W DOYLE POST OFFICE BOX 780 A32 WILMINGTON	NC 28402	160450091517	1	99999	GENERAL ELECTRIC CO MORRIS OPERATIONS MORRIS ENGLFS QA ENGR MANAGER 7555 E COLLINS RD MORRIS	IL 60450

119355055290 1 99999
GENERAL ELECTRIC CO
PWR SYS MGMT BUS DEPT
E J FIERKO
GENERAL MANAGER
205 GREAT VALLEY PKWY
MALVERN PA 19355

106602091524 1 99999
GENERAL ELECTRIC CO
WIRE & CABLE BUS DEPT
W J GARTIN
GENERAL MANAGER
1285 BOSTON AVE
BRIDGEPORT CT 06602

152601053024 1 99999
GENERAL ELECTRIC CO
SWITCHGEAR BUSINESS DEPARTMENT
ROGER F GREENE
MGR BJRLINGTON PLANT OPERATION
AGENCY ROAD P O BOX 488
BJRLINGTON IA 52601

160559093280 1 99999
GENERAL ELECTRIC CO
R L HUGHES
8157 SOUTH CASS AVE
DARIEN IL 60559

195125093385 1 99999
GENERAL ELECTRIC CO
NUCLEAR ENERGY ENGR DIV
ARNOLD KOSLOW
175 CJRTNER AVE
M/C 435
SAN JOSE CA 95125

119406092315 1 99999
GENERAL ELECTRIC CO
NUCLEAR SERVICES DEPT
L L LANTZ
REGIONAL ENGR MANAGER
1000 FIRST AVE
KING OF PRUSSIA PA 19406

194566094397 1 99999
GENERAL ELECTRIC CO
VALLECITO NUCLEAR CENTER
R A MOSCHNER
MANAGER NJC SFTY & QUAL ASSUR
PO BOX 460
PLEASANTON CA 94566

195125055234 1 99999
GENERAL ELECTRIC CO
E J ROMESBERG
175 CURTNER AVE
MC 682
SAN JOSE CA 95125

195125091525 1 99999
GENERAL ELECTRIC CO
NUCLEAR ENGY BUSINESS
NOEL SHIRLEY
175 CURTNER AVE
M/C 682
SAN JOSE CA 95125

106602091772 1 99999
GENERAL ELECTRIC CO
WIRE & CABLE BUS DEPT
LEON SKORZEWSKI
QA MANAGER
1285 BOSTON AVE
BRIDGEPORT CT 06602

295125006442 1 99999
GENERAL ELECTRIC CO
NUCLEAR ENGY BUSINESS OPS
N DAVID WEISS
175 CURTNER AVE
M/C-391
SAN JOSE CA 95125

295125007112 1 99999
GENERAL ELECTRIC CO
D L FOREMAN
PROJECT MANAGER
175 CURTNER AVE M/C 682
SAN JOSE CA 95125

120814001586 1 99999
GENERAL ELECTRIC CO
LARRY GIFFORD
7910 WOODMONT AVE
SUITE 203
BETHESDA MD 20814

160559065205 1 99999
GENERAL ELECTRIC CO
R C HOOPER
8157 SOUTH CASS AVE
SUITE 305
DARIEN IL 60559

152601091523 1 99999
GENERAL ELECTRIC CO
SWITCHGEAR DIV
ROBERT KANPMANN
QA MANAGER
AGENCY RD
BURLINGTON IA 52601

195125054718 1 99999
GENERAL ELECTRIC CO
T C LANCASTER
SPECIALIST OP SUP ENG
175 CURTNER AVENUE
714
SAN JOSE CA 95125

119142091527 1 99999
GENERAL ELECTRIC CO
SWITCHGEAR BUSINESS DEPT
R H MILLER
QA MANAGER
6901 ELMWOOD AVE
PHILADELPHIA PA 19142

195125091521 1 99999
GENERAL ELECTRIC CO
NUCLEAR ENERGY BUS GROUP
J L MURRAY
QA MANAGER
175 CURTNER AVE
SAN JOSE CA 95125

119355063069 1 99999
GENERAL ELECTRIC CO
POWER SYS MGMT BUSINESS DEPT
CASE SCOTT
205 GREAT VALLEY PKY
MC-1106
MALVERN PA 19355

195125006384 1 99999
GENERAL ELECTRIC CO
NUCLEAR ENERGY DIVISION
JOHN M SKARPELOS
175 CURTNER AVENUE
MC-783
SAN JOSE CA 95125

195125006033 1 99999
GENERAL ELECTRIC CO
R VILLA
175 CURTNER AVE
M/C 682
SAN JOSE CA 95125

161701038048 1 99999
GENERAL ELECTRIC CO
CHARLES WETTER
PO BOX 2913
BLOOMINGTON IL 61701

14036055265 1 99999
GENERAL ELECTRIC CO
NUCLEAR ENERGY
R M WYATT
ROUTE 1 BOX 37B
INOLA OK 74036

121044079621 1 99999
GENERAL PHYSICS CORP
TECHNICAL INFORMATION CENTER
N L KNIGHT
ADMINISTRATOR
10650 HICKORY RIDGE RD
COLUMBIA MO 21044

130306093007 1 99999
GEORGIA DEPT OF HUMAN RESOURCE
GMHI
BOBBY RUTLEDGE
1256 BRIARCLIFF RD NE
ROOM 425-S
ATLANTA GA 30306

130334004860 1 99999
GEORGIA DEPT OF NATL RESOURCES
ENVIRONMENTAL PROTECTION DIV
J L LEDBETTER
DIRECTOR
270 WASHINGTON ST SW
ATLANTA GA 30334

130332091530 1 99999
GEORGIA INSTITUTE OF TECH
NEELY NUCLEAR RESEARCH CTR
PO BOX 1008
ATLANTA GA 30332

130332000551 1 99999
GEORGIA INSTITUTE OF TECH
NUCLEAR RESEARCH CENTER
R S KIRKLAND
REACTOR SUPERVISOR
ATLANTA GA 30332

230334005793 1 99999
GEORGIA OFC PLANNING & BUDGET
CHARLES H BADGER
270 WASHINGTON STREET SW
ROOM 610
ATLANTA GA 30334

131513080543 1 99999
GEORGIA POWER CO
E I HATCH 1 NPS
PLANT MANAGER
PO BOX 442
BAXLEY GA 31513

130302008706 1 99999
GEORGIA POWER CO
NUCLEAR GENERATION
J T BECKHAM
PO BOX 4545
333/16
ATLANTA GA 30302

130830092719 1 99999
GEORGIA POWER CO
VOGTLE
G BOCKHOLD
RTE 2
POB 299-A
WAYNESBORO GA 30830

130830064729 1 99999
GEORGIA POWER CO
VOGTLE
J F D'AMICO
RTE 2
POB 299-A
WAYNESBORO GA 30830

137415026373 1 99999
GENERAL PHYSICS CORP
CHATTANOOGA DIV
TECHNICAL INFORMATION CENTER
ONE NORTHGATE PARK
CHATTANOOGA TN 37415

120144064653 1 99999
GENERAL PHYSICS CORP
R R TOUZIN
SENIOR SPECIALIST
1000 CENTURY PLAZA
COLUMBIA MO 20144

130334030991 1 99999
GEORGIA DEPT OF NATL RESOURCES
ENVIRONMENTAL RADIATION
JAMES C HARDEMAN
270 WASHINGTON ST SW
RM 825
ATLANTA GA 30334

130332007946 1 99999
GEORGIA INSTITUTE OF TECH
ENGINEERING & SCIENCE LIBRARY
LIBRARIAN
ATLANTA GA 30332

130332082397 1 99999
GEORGIA INSTITUTE OF TECH
SCHOOL-NUC ENGR & HLTH PHYSICS
W O CARLSON
ACTING DIRECTOR
225 NORTH AVE
ATLANTA GA 30332

130332080964 1 99999
GEORGIA INSTITUTE OF TECH
A P SHEPPARD
ACTING VP FOR RESEARCH
225 NORTH AVENUE
ATLANTA GA 30332

120830064731 1 99999
GEORGIA POWER CO
SITE DOCUMENT SUPERVISOR
PO BOX 282
WAYNESBORO GA 20830

131513080542 1 99999
GEORGIA POWER CO
E I HATCH 2 NPS
PLANT MANAGER
PO BOX 442
BAXLEY GA 31513

131513080897 1 99999
GEORGIA POWER CO
CARL E BELFLOWER
SITE QA MANAGER
PO BOX 442
BAXLEY GA 31513

130302094435 1 99999
GEORGIA POWER CO
NUCLEAR POWER
R E CONWAY
SR VICE PRESIDENT
PO BOX 4545
ATLANTA GA 30302

130830094423 1 99999
GEORGIA POWER CO
D O FOSTER
V PRES & PROJECT GEN MGR
PO BOX 299A ROUTE 2
WAYNESBORO GA 30830

130830080903 1 99999
GEORGIA POWER CO
H H GREGORY
CONSTRUCTION PROJECT MANAGER
PO BOX 282
WAYNESBORO GA 30830

130308094434 1 99999
GEORGIA POWER CO
L T GUCWA
333 PIEDMONT AVE
ATLANTA GA 30308

131513080187 1 99999
GEORGIA POWER CO
E I HATCH NPS
MAX MANRY
REGISTERED USER
PO BOX 442
BAXLEY GA 31513

130334080966 1 99999
GEORGIA PUBLIC SERVICE COM
HJGH S JORDAN
EXECUTIVE SECRETARY
244 WASHINGTON ST SW
ATLANTA GA 30334

1WGERM092113 1 99999
GESELLSCHAFT FUR REAKTORSICHE
E LINDAUER
GLOCKENGASSE 2
5000 COLOGNE 1 WGERMANY

110001091531 1 99999
GIBBS & HILL INC
P P DERIENZO
VICE PRES-CONSULTING ENG/QA
393 7TH AVE
NEW YORK NY 10001

210301006517 1 99999
GIBBS & HILL INC
H R ROCK
393 SEVENTH AVE
NEW YORK NY 10001

144081093937 1 99999
GILBERT ASSOCIATES INC
A L BRADSHAW
PO BOX 84
TL-2
PERRY OH 44081

119503008708 1 99999
GILBERT ASSOCIATES INC
JAMES R STOUTD
PRESIDENT
PO BOX 1498
READING PA 19603

119603091532 1 99999
GILBERT COMMONWEALTH
N R BARKER
QA VICE PRESIDENT
PO BOX 1498
READING PA 19603

144081064634 1 99999
GILBERT COMMONWEALTH
R D POTTS
RECORDS MGMT SUPERVISOR
PO BOX 97
PERRY OH 44081

130830080902 1 99999
GEORGIA POWER CO
E D GROOVER
QA SITE SUPERVISOR
PO BOX 282
WAYNESBORO GA 30830

130302080904 1 99999
GEORGIA POWER CO
R J KELLY
EXECUTIVE VICE PRESIDENT
PO BOX 4545
ATLANTA GA 30302

131513080898 1 99999
GEORGIA POWER CO
E I HATCH NPS
H C NIX
SITE GENERAL MANAGER
PO BOX 439
BAXLEY GA 31513

101890092714 1 99999
GEOTECHNICAL ENGINEERS INC
STEVEN J POULOS
1017 MAIN ST
WINCHESTER MA 01890

110001001192 1 99999
GIBBS & HILL INC
LIBRARY
RALPH F DEANGELIS
CHIEF LIBRARIAN
11 PENN PLAZA
NEW YORK NY 10001

110001001194 4 99999
GIBBS & HILL INC
FRANK D HUTCHINSON
SR VICE PRESIDENT
11 PENN PLAZA
NEW YORK NY 10001

110001008707 1 99999
GIBBS & HILL INC
PETER H SMITH
PRESIDENT
393 SEVENTH AVE
NEW YORK NY 10001

119603007983 6 99999
GILBERT ASSOCIATES INC
LIBRARY
B LE BOULCH
PO BOX 1498
READING PA 19603

119503053027 1 99999
GILBERT ASSOCIATES INC
IND & ENERGY RES DIV
W H TRAFFAS
525 LANCASTER AVE
LA220
READING PA 19603

119603064712 1 99999
GILBERT COMMONWEALTH
L B EILAND
RECORDS MGMT CONSULTANT
PO BOX 1498
READING PA 19603

119506064635 1 99999
GILBERT COMMONWEALTH
INFORMATION MGMT DEPT
B M PRATHER
MANAGER
PO BOX 1498
READING PA 19606

119020093323 1 99999
GILBRETH INTERNATIONAL CORP
3300 STATE RD
PO BOX 779
BENSALEM PA 19020

131520026178 1 99999
GLYNN COUNTY HEALTH DEPT
JERRY MORRIS
RADIATION SAFETY OFFICER
PO BOX 1219
BRUNSWICK GA 31520

119047053031 1 99999
GNB BATTERIES INC
INDUSTRIAL BATTERY DIV
RAYMOND R FLETCHER
2050 CABOT BLVD W
LANGHORNE PA 19047

144316022802 1 99999
GOODYEAR CORP
RESEARCH DIVISION
P J REILLY
142 GOODYEAR BLVD
AKRON OH 44316

121157103057 1 99999
GOULD INC
INDUSTRIAL CONTROLS DIV
MICHAEL FENNETEAU
QA MANAGER
433 HAHN RD
WESTMINSTER MO 21157

121157021778 1 99999
GOULD INC
I C O
ROGER E NELSON
QA SUPERVISOR
2002 BETHEL RD
WESTMINSTER MO 21157

119047091534 1 99999
GOULD INC
INDUSTRIAL PUMP DIV
GARY WILLIE
QA MANAGER
WEST STATION RD PO BOX 1222
KANKAKEE IL 19047

113148000097 1 99999
GOULDS PUMPS INC
NUCLEAR POWER
D R HYATT
240 FALL ST
SENECA FALLS NY 13143

120009094451 1 99999
GOVT ACCOUNTABILITY PROJECT
BILLIE P GARDE
CITIZENS CLINIC DIRECTOR
1901 QUE ST NW
WASHINGTON DC 20009

107054005790 1 99999
GPU NUCLEAR
HQ LIBRARY
LIBRARIAN
100 INTERPACE PKWY
PARSIPPANY NJ 07054

117057080585 1 99999
GPU NUCLEAR
TMI 1 NPS
PLANT MANAGER
MIDDLETOWN PA 17057

117057080587 1 99999
GPU NUCLEAR
TMI 2 NPS
PLANT MANAGER
MIDDLETOWN PA 17057

117057081274 1 99999
GPU NUCLEAR
DOUG BEDELL
PO BOX 480
MIDDLETOWN PA 17057

108731094454 1 99999
GPU NUCLEAR
PHILIP R CLARK
PRESIDENT
PO BOX 388 ROUTE 9 SOUTH
FORKED RIVER NJ 08731

108731081561 1 99999
GPU NUCLEAR
OYSTER CREEK NPS
P B FIEDLER
VICE PRESIDENT & DIRECTOR
PO BOX 388
FORKED RIVER NJ 08731

117057066309 1 99999
GPU NUCLEAR
HENRY D HUKILL
VICE PRES & DIRECTOR-TMI1
PO BOX 480
MIDDLETOWN PA 17057

107054102888 1 99999
GPU NUCLEAR
EDWIN KINTNER
EXEC VICE PRESIDENT
100 INTERPACE PKWY
PARSIPPANY NJ 07054

107054091032 1 99999
GPU NUCLEAR
J KNUBEL
LICENSING MANAGER
100 INTERSPACE PKWY
PARSIPPANY NJ 07054

108731080930 1 99999
GPU NUCLEAR
OYSTER CREEK NUC GENERATING ST
M LAGGERT
LICENSING SUPERVISOR
PO BOX 388
FORKED RIVER NJ 08731

117057080922 1 99999
GPU NUCLEAR
TMI 2
J E LARSON
SUPERVISOR OF LICENSING
PO BOX 480
MIDDLETOWN PA 17057

217057007114 1 99999
GPU NUCLEAR
TMI-1
C W SMYTH
LICENSING MANAGER
PO BOX 480
MIDDLETOWN PA 17057

117057081558 1 99999
GPU NUCLEAR
TMI-2
F R STANDERFER
DIRECTOR
PO BOX 480
MIDDLETOWN PA 17057

117057081559 1 99999
GPU NUCLEAR
J W THIESING
MANAGER-RECOVERY PROGRAMS
PO BOX 480
MIDDLETOWN PA 17057

107054039680 1 99999
GPU NUCLEAR
TECHNICAL FUNCTIONS
JACK WETMORE
PWR LICENSING MANAGER
100 INTERPACE PKWY
PARSIPPANY NJ 07054

107083100789 1 99999
GRAVER CHEMICAL
CHEMICAL PRODUCTS
CHESTER S PARKS
MARKETING MANAGER
2720 US HWY 22
UNION NJ 07083

1GREEC064850 1 99999
GREEK ATOMIC ENERGY COMMISSION
NUCLEAR RESEARCH CENTER
N G CHRYSOCHOIDES
ADMINISTRATOR
AGHIA PARASKEVI
ATTIKI GREECE

190040091537 1 99999
GREER HYDRAULICS INC
SAMUEL R COOPERSTEIN
QA DIRECTOR
6500 E SLAUSON AVE
CITY OF COMMERCE CA 90040

152803091482 1 99999
GJLF & WESTERN MFG CO
JOHN DEGRYSE
MECH DESIGN SUPRV
136 FEDERAL ST
DAVENPORT IA 52803

166071091701 1 99999
GJLF & WESTERN MFG CO
TAYLOR FORGE ENGR SYS
STAN D GRIGGS
QA MANAGER
1ST & IRON ST
PAOLA KS 66071

138128092199 1 99999
GULF & WESTERN MFG CO
TAYLOR FORGE
DAVID L SHIRA
PO BOX 28749
MEMPHIS TN 38128

132560093808 1 99999
GULF POWER CO
ELECTRIC OPERATIONS
EARL B PARSONS
VICE PRESIDENT
PO BOX 1151
PENSACOLA FL 32560

170775080517 1 99999
GULF STATES UTILITIES CO
RIVER BEND 1 NPS
PLANT MANAGER
ST FRANCISVILLE LA 70775

177704064957 1 99999
GULF STATES UTILITIES CO
ENGR NUCLEAR FUELS & LICENSING
JAMES E BOOKER
MANAGER
PO BOX 2951
BEAUMONT TX 77704

217057006294 1 99999
GPU NUCLEAR
TMI NUCLEAR STATION
R J TOOLE
OPERATIONS & MAINT DIRECTOR
PO BOX 480
MIDDLETOWN PA 17057

119603064751 1 99999
GPU SERVICE CORP
EDUCATION & STANDARDS
L B SHATTUCK
SUPERVISOR
PO BOX 1018
READING PA 19603

248640000968 1 99999
GREAT LAKES ENERGY ALLIANCE
MARY SINCLAIR
5711 SUMMERSET DRIVE
MIDLAND MI 48640

1GREEC057557 1 99999
GREEK ATOMIC ENERGY COMMISSION
NUCLEAR TECHNOLOGY DEPT
JOHN KOLLAS
ADMINISTRATOR
AGHIA PARASKEVI
ATTIKI GREECE

108876064458 1 99999
GULF & WESTERN MFG CO
TAYLOR BONNEY DIV
J ANGLIM
QA MGR-TAYLOR FORGE STAINLESS
READINGTON RD
SOMERVILLE NJ 08876

102886091510 1 99999
GULF & WESTERN MFG CO
FLUID SYS-ENERGY PPOD GROUP
ANTHONY FRASCA
QA MANAGER
25 GRAYSTONE ST
WARWICK RI 02886

108876091702 1 99999
GULF & WESTERN MFG CO
TAYLOR FORGE STAINLESS
TOM MURPHY
QA MANAGER
READINGTON RD
NORTH BRANCH NJ 08876

132520008709 1 99999
GULF POWER CO
EARL B PARSONS
VICE PRESIDENT-ELEC OPERATIONS
PO BOX 1151
PENSACOLA FL 32520

170775062571 1 99999
GULF STATES UTILITIES CO
RIVER BEND STATION LIBRARY
PO BOX 220
ST FRANCISVILLE LA 70775

177704064583 1 99999
GULF STATES UTILITIES CO
T E AMERINE
SUPV NUCLEAR DOCUMENT CTR
PO BOX 2951
BEAUMONT TX 77704

177704081877 1 99999
GULF STATES UTILITIES CO
RIVER BEND NUCLEAR GROUP
WILLIAM J CAHILL
SENIOR VICE PRESIDENT
PO BOX 2951
BEAUMONT TX 77704

177701064635 1 99999
GULF STATES UTILITIES CO
R G RAMSEY
NUCLEAR STAFF ASSISTANT
PO BOX 2951
BEAUMONT TX 77701

277704006483 1 99999
GULF STATES UTILITIES CO
WILLIAM J REED
DIRECTOR-NUCLEAR LICENSING
PO BOX 2951
BEAUMONT TX 77704

177701064765 1 99999
GULF STATES UTILITIES CO
J W SYME
NUCLEAR RECORDS REPRESENT
PO BOX 2951
BEAUMONT TX 77701

177028091538 1 99999
GULFALLOY INC
WILLIAM GROSS
QA MANAGER
4730 DARIEN ST PO BOX 52518
HOUSTON TX 77028

137830094365 1 99999
GULL ENGINEERING INC
GRAHAM V WALFORD
78 MITCHELL RD
OAK RIDGE TN 37830

192627091539 1 99999
GULTON INDUSTRIES INC
SCD
ROBERT LANTER
QA & REL DIRECTOR
1644 WHITTIER AVE
COSTA MESA CA 92627

107029053513 1 99999
GUYON ALLOYS INC
GEORGE GRUNTHALER
959 SOUTH FOURTH STREET
HARRISON NJ 07029

206424005415 1 99999
HADDAM NECK PLANT
SUPERINTENDENT
POST OFFICE BOX 127E
RFD #1
EAST HAMPTON CT 06424

177020091540 1 99999
HAHN & CLAY
GEORGE J PEREZ
QA MANAGER
5100 CLINTON DR PO BOX 15521
HOUSTON TX 77020

195050094117 1 99999
HALCON CORP
1400 COLEMAN AVE
SUITE G23
SANTA CLARA CA 95050

220009100675 1 99999
HARMON WEISS & JORDAN
DIANE CURRAN
2001 S STREET NW
SUITE 430
WASHINGTON DC 20009

120009100574 1 99999
HARMON WEISS & JORDAN
ELLYN R WEISS
2001 S ST NW
SUITE 430
WASHINGTON DC 20009

153214091541 1 99999
HARNISCHFEGER CORP
INDUSTRIAL DIV
GERALD GOFF
CHIEF ENGINEER
4400 W NATIONAL AVE
MILWAUKEE WI 53214

153201053037 1 99999
HARNISCHFEGER CORP
HEAVY DUTY CRANES
GUY JOHNSON
GENERAL SALES MANAGER
POST OFFICE BOX 310
MILWAUKEE WI 53201

106102091542 1 99999
HARTFORD BOILER INSPECT & INS
FAB SHOP
HARTFORD CT 06102

106102065228 1 99999
HARTFORD STEAM BOILER
R J CLAVERIE
ONE STATE ST
HARTFORD CT 06102

106111029797 1 99999
HARTFORD STEAM BOILER
SIS DIV
FRANCIS T DUBA
ONE STATE ST
HARTFORD CT 06111

122942001368 1 99999
HARWELL
A W DIETRICH
RTE 2
PO BOX 568
GORDONSVILLE VA 22942

196801012281 1 99999
HAWAII DEPT OF HEALTH
ENVIRON HEALTH
MELVIN K KOIZUMI
DEPUTY DIRECTOR
PO BOX 3378
HONOLULU HI 96801

105401053038 1 99999
HAYWARD TYLER PUMP CO
REX W MCMILLAN
QA MANAGER
PO BOX 492
BURLINGTON VT 05401

160507082583 1 99999
HENRY PRATT CO
B R CUMMINS
401 S HIGHLAND AVE
AURORA IL 60507

160507053039 1 99999
HENRY PRATT CO
A K WILSON
VICE PRESIDENT ENGINEERING
401 SOUTH HIGHLAND AVENUE
AURORA IL 60507

220036005460	1	99999	HILL CHRISTOPHER & PHILLIPS HERBERT H BROWN LAWRENCE COE LANPHER 1900 M ST NW WASHINGTON	DC	20036
1JAPAN091545	1	99999	HIRATA VALVE INDUSTRY CO LTD KAWASAKI DIV S TANIMOTO QA MANAGER 15 HISAMOTO KAWASAKI KANAGAWA JAPAN		
121045082148	1	99999	HITTMAN NUCLEAR & DEVELOP CORP BRUCE S ROWE 9151 RUMSEY RD COLUMBIA	MD	21045
1ENGLA053198	1	99999	HOPKINSONS LTD BRITANNIA WORKS R WATSON PO BOX 827 HD2 2JRJ HODDERSFIELD	ENGLAND	
177001093958	1	99999	HOUSTON LIGHTING & POWER CO VICE PRESIDENT-OPERATIONS PO BOX 1700 HOUSTON	TX	77001
174145091544	1	99999	HILTI INC JAMES WALSH QA DIRECTOR 4115 S 100 EAST AVE TULSA	OK	74145
121045028811	1	99999	HITTMAN NUCLEAR & DEVELOP CORP HNDC LIBRARY 9151 RUMSEY RD COLUMBIA	MD	21045
119034091546	1	99999	HONEYWELL INC PROCESS CONTROL DIV STERGES WAGNER QA MANAGER 1100 VIRGINIA DR FORT WASHINGTON	PA	19034
177001078848	1	99999	HOUSTON LIGHTING & POWER CO MANAGER-NUCLEAR LICENSING PO BOX 1700 HOUSTON	TX	77001
177483080521	1	99999	HOUSTON LIGHTING & POWER CO STP PO BOX 510 WADSWORTH	TX	77483
277001001479	1	99999	HOUSTON LIGHTING & POWER CO SOUTH TEXAS PROJECT D G BARKER MANAGER PO BOX 1700 HOUSTON	TX	77001
177001081032	1	99999	HOUSTON LIGHTING & POWER CO NUCLEAR ENGR & CONSTRUCTION J H GOLDBERG VICE PRESIDENT PO BOX 1700 HOUSTON	TX	77001
177001005308	1	99999	HOUSTON LIGHTING & POWER CO MARK R WISENBERG MANAGER-NUCLEAR LICENSING PO BOX 1700 HOUSTON	TX	77001
161856063895	1	99999	HUMAN FACTORS SOCIETY CHARLES O HOPKINS 28 FOOTHILL RD MONTICELLO	IL	61856
123212065714	1	99999	HUNTON & WILLIAMS MICHAEL W MAUPIN PO BOX 1535 RICHMOND	VA	23212
223212000793	1	99999	HUNTON & WILLIAMS W T REVELEY III ESQUIRE PO BOX 1535 RICHMOND	VA	23212
133607093352	1	99999	IBM CORP L A EVERS SENIOR INDUSTRY SPECIALIST 3407 W BUFFALO AVE TAMPA	FL	33607
177704064605	1	99999	IBM CORP T D GANDY JR INDUSTRY SPECIALIST PO BOX 831 BEAUMONT	TX	77704
183720026180	1	99999	IDAHO DEPT OF HEALTH & WELFARE RADIATION CONTROL SECTION ROBERT FUNDERBURG MANAGER STATEHOUSE BOISE	ID	83720

260601007029	1	99999	ILLINOIS ATTORNEY GENERAL OFC ENVIRONMENTAL CONTROL PHILIP L WILLMAN 160 N LASALLE RM 900 CHICAGO	IL 60601
161727080557	1	99999	ILLINOIS POWER CO CLINTON 1 NPS PLANT MANAGER CLINTON	IL 61727
262525007035	1	99999	ILLINOIS POWER CO H R VICTOR 500 SOUTH 27TH STREET DECATUR	IL 62525
162525004701	1	99999	ILLINOIS POWER CO NUCLEAR STATION ENGR DEPT GEORGE E HULLER SUPERVISOR-LICENSING 500 SOUTH 27TH STREET DECATUR	IL 62525
194598026885	2	99999	IMPELL CORP LIBRARY LIBRARIAN 350 LENNON LANE WALNUT CREEK	CA 94598
130092066906	1	99999	IMPELL CORP DEL BRITT LIBRARIAN 333 RESEARCH COURT NORCROSS	GA 30092
194598064767	1	99999	IMPELL CORP MSD C M FRANK ENGINEER 350 LENNON LANE WALNUT CREEK	CA 94598
111747082338	1	99999	IMPELL CORP STEPHEN MILIOTI SECTION MANAGER 225 BROAD HOLLOW RD MELVILLE	NY 11747
194598065746	1	99999	IMPELL CORP AED ARON SEIKEN SUPERVISOR 350 LENNON LANE WALNUT CREEK	CA 94598
160648053030	1	99999	IMPERIAL CLEVITE INC FLUID COMPONENTS DIV KEN BARHU QA MANAGER 6300 W HOWARD ST CHICAGO	IL 60648
INDIA038061	1	99999	INDIA DEPT OF ATOMIC ENERGY TARAPUR ATOMIC POWER PROJECT K NANJUNDESWARAN DEPUTY CHIEF SUPERINTENDENT THANA DISTRICT MAHARASHTRA 401504	INDIA
162704073812	1	99999	ILLINOIS DEPT OF NUCLEAR SFTY NUCLEAR FACILITY SAFETY MANAGER 1035 OUTER PARK DR 5TH FL SPRINGFIELD	IL 62704
161727064597	1	99999	ILLINOIS POWER CO D S FONES ADMINISTRATIVE SUPERVISOR R R 3 BOX 228 CLINTON	IL 61727
162525094378	1	99999	ILLINOIS POWER CO R W WALDEN 500 S 27TH ST DECATUR	IL 62525
111747082337	1	99999	IMPELL CORP LIBRARY 225 BROAD HOLLOW RD MELVILLE	NY 11747
194104053000	1	99999	IMPELL CORP R A AYRES 220 MONTGOMERY ST SAN FRANCISCO	CA 94104
111747092317	1	99999	IMPELL CORP ARTHUR CASTELLI 225 BROAD HOLLOW RD MELVILLE	NY 11747
194598100693	1	99999	IMPELL CORP J HASTINGS 350 LENNON LANE WALNUT CREEK	CA 94598
294598005480	1	99999	IMPELL CORP M J SCHOLTENS 350 LENNON LANE WALNUT CREEK	CA 94598
160015092832	1	99999	IMPELL CORP KEVIN WARAPIUS 2333 WAUKEGAN RD BANNOCKBURN	IL 60015
160648091548	1	99999	IMPERIAL CLEVITE INC HYMAN BOLOTIN QA MANAGER 6300 W HOWARD ST CHICAGO	IL 60648
210511005687	1	99999	INDIAN POINT 3 NUC POWER PLANT JOHN C BRONS RESIDENT MANAGER PO BOX 215 BUCHANAN	NY 10511

149106080314 1 99999
INDIANA & MICHIGAN POWER CO
D C COOK NPS 1 & 2
PLANT MANAGER
PO BOX 458
BRIDGMAN MI 49106

146206012128 1 99999
INDIANA BOARD OF HEALTH
RALPH C PICKARD
ASST COMMISSIONER-ENVIR HEALTH
1330 W MICHIGAN ST
INDIANAPOLIS IN 46206

247401000516 1 99999
INDIANA SASSAFRAS AUDUBON SOC
DAVID G FREY
MRS
2625 S SMITH ROAD
BLODMINGTON IN 47401

119016091549 1 99999
INDUSTRIAL MECHANICS
ROCCO SANTORO
QA MANAGER
12TH & CHESTNUT ST
CHESTER PA 19016

120877064650 1 99999
INFO & BUSINESS SYSTEMS INC
PRESIDENT
9168 GAITHER RD
PO BOX 635
GAITHERSBURG MD 20877

130150093282 1 99999
INFORMATION HANDLING SERVICES
SHELBY CARTER
15 IVERNESS WAY E
ENGLEWOOD CO 80150

156110064696 1 99999
INLAND VITAL RECORDS CENTER
S SCHULTZ
MANAGER
6500 INLAND DRIVE
KANSAS CITY KS 66110

160638091551 1 99999
INRYCO INC
CONCRETE SYSTEMS GROUP
DONALD WAITKUS
QA MANAGER
7200 S NARROGANSETT AVE
BEDFORD PARK IL 60638

120005090020 1 99999
INSIDE NRC
MARGARET RYAN
WASHINGTON EDITOR
1120 VERMONT AVE NW
SUITE 1200
WASHINGTON DC 20005

1YUG05092128 1 99999
INSTITUT JOZEF STEFAN
NUCLEAR SAFETY COORD
BORUT MAVKO
ADMINISTRATOR
JAMOVA 39
61111 LJUBLJANA YUGOSLAVI

120009092710 1 99999
INSTITUTE FOR POLICY STUDIES
GOVT ACCOUNTABILITY PROJECT
LYNN BERNABEI
1901 QUE ST NW
WASHINGTON DC 20009

243216092195 1 99999
INDIANA & MICHIGAN POWER CO
AEPSC
JOHN E DOLAN
VICE PRESIDENT-ENGR & CONSTR
1 RIVERSIDE PLAZA
COLUMBUS OH 43216

146204064700 1 99999
INDIANA PUBLIC SERVICE COM
ROBERT GLAZIER
CHIEF ENGINEER
901 STATE OFFICE BLDG
INDIANAPOLIS IN 46204

108650064452 1 99999
INDUSTRIAL ENGINEERING WORKS
CHARLES L WORTHINGTON
QA & CONTROL MANAGER
PO BOX 8008
TRENTON NJ 08650

120879091778 1 99999
INDUSTRIAL QUALITY INC
HAROLD BERGER
PO BOX 2397
GAITHERSBURG MD 20879

192805064702 1 99999
INFODETICS CORP
STEVE GILHEANY
SYSTEMS ENGINEER
1341 S CLAUDINA STREET
F193
ANAHEIM CA 92805

108865091550 1 99999
INGERSOLL RAND CO
CAMERON PUMP DIV
M F HAGERSTROM
QA MANAGER
PO BOX 486
PHILLIPSBURG NJ 08865

108060065236 1 99999
INNOVATION TECHNOLOGY INC
L BERKOWITZ
PRESIDENT
PO BOX 77
MOUNT HOLLY NJ 08060

110020067165 1 99999
INSIDE NRC
DON MARTIN
1221 AVE OF THE AMERICAS
NEW YORK NY 10020

1DENMA066989 1 99999
INSPECTORATE OF NUC INSTALLATN
AAGE JENSEN
ADMINISTRATOR
PO BOX 217 RISØ HUSE 11
DK-4000 ROSKILDE DENMARK

1YUG05092129 1 99999
INSTITUT RUDER BOSKOVIC
PETAR TOMAS
ADMINISTRATOR
BIJENICKA C54
41000 ZAGREB YUGOSLAVI

120009091538 1 99999
INSTITUTE FOR POLICY STUDIES
GOVT ACCOUNTABILITY PROJECT
THOMAS DEVINE
LEGAL DIRECTOR
1901 Q ST NW
WASHINGTON DC 20009

12009092708 1 99999
INSTITUTE FOR POLICY STUDIES
GOVT ACCOUNTABILITY PROJECT
BILLIE P GARDE
1901 QUE STREET NW
WASHINGTON DC 20009

121403093803 1 99999
INSTITUTE FOR RESOURCE MGT
MICHAEL S TERPILAK
428 FOURTH ST
POB 4609
ANNAPOLIS MD 21403

1POLAN007288 1 99999
INSTITUTE OF NUCLEAR RESEARCH
REACTOR ENGINEERING DEPT.
A STRUPCZEWSKI
ASST PROF
05-400
SWIERK NEAR WARSAW POLAND

194566080830 1 99999
INTERSTATE NUCLEAR SERVICES
WILLIAM ROSCHEWSKI
NUCLEAR FACILITY MANAGER
65 RAY ST
PLEASANTON CA 94566

107801091552 1 99999
INTL NUTRONICS INC
BRUCE THOMAS
PLANT MANAGER
SCHLEY ST US HWY 46
DIVER NJ 07801

150319055550 1 99999
IOWA COMMERCE COMMISSION
ANDREW VARLEY
CHAIRMAN
STATE CAPITOL
DES MOINES IA 50319

152406008660 1 99999
IOWA ELECTRIC LIGHT & POWER CO
LEE LIU
PRESIDENT & CHAIRMAN OF BOARD
PJ BOX 351
CEDAR RAPIDS IA 52406

152808003134 1 99999
IOWA ILLINOIS GAS & ELEC CO
ENERGY SUPPLY & ENGINEERING
KARL A SCHAFFER
VICE PRESIDENT
PO BOX 4350
DAVENPORT IA 52808

260602090045 1 99999
ISHAM LINCOLN & BEALE
ALAN P BIELAWSKI
3 FIRST NATIONAL PLAZA
CHICAGO IL 60602

120036057413 1 99999
ISHAM LINCOLN & BEALE
JOSEPH GALLO
1120 CONNECTICUT AVE NW
SUITE 840
WASHINGTON DC 20036

160602081590 1 99999
ISHAM LINCOLN & BEALE
MICHAEL MILLER
3 FIRST NATIONAL PLAZA
51ST FLOOR
CHICAGO IL 60602

121403081456 1 99999
INSTITUTE FOR RESOURCE MGT
BOBBY LEONARD
428 FOURTH ST
ANNAPOLIS MD 21403

130339065104 1 99999
INSTITUTE OF NUCLEAR PWR OPER
TECHNICAL LIBRARY
JANE STARNES
1100 CIRCLE 75 PKWY
SUITE 1500
ATLANTA GA 30339

102780094030 1 99999
INTERSCIENCE CONSULTANTS INC
GARY S BEORUSIAN
73 WASHINGTON ST
POB 2671
TAUNTON MA 02780

192056040034 1 99999
INTL CONSULTANTS
JAY S IYER
1620 WAGON WHEEL DRIVE
OCEANSIDE CA 92056

150319081502 1 99999
IOWA COMMERCE COMMISSION
THOMAS HOUVENAGLE
LUCAS STATE OFFICE BLDG
DES MOINES IA 50319

152324080533 1 99999
IOWA ELECTRIC LIGHT & POWER CO
DUANE ARNOLD NPS
PLANT MANAGER
PO BOX 351
CEDAR RAPIDS IA 52406

252406005645 1 99999
IOWA ELECTRIC LIGHT & POWER CO
D L MINECK
PLANT SUPERINTENDENT-NUCLEAR
PO BOX 351
CEDAR RAPIDS IA 52406

260603005419 1 99999
ISHAM LINCOLN & BEALE
COUNSELORS AT LAW
ONE FIRST NATIONAL PLAZA
42ND FLOOR
CHICAGO IL 60603

260603005204 1 99999
ISHAM LINCOLN & BEALE
ALAN S FARNELL
ONE FIRST NATIONAL PLAZA
42ND FL
CHICAGO IL 60603

260603092142 1 99999
ISHAM LINCOLN & BEALE
M I MILLER
1 FIRST NATIONAL PLAZA
SUITE 4200
CHICAGO IL 60603

160602093716 1 99999
ISHAM LINCOLN & BEALE
PHILIP P STEPTOF
3 FIRST NATIONAL PLAZA
SUITE 5100
CHICAGO IL 60602