

UNITED STATES  
NUCLEAR REGULATORY COMMISSION  
OFFICE OF INSPECTION AND ENFORCEMENT  
WASHINGTON, DC 20555

December 31, 1985

IE INFORMATION NOTICE NO. 85-99: CRACKING IN BOILING-WATER-REACTOR MARK I  
AND MARK II CONTAINMENTS CAUSED BY FAILURE  
OF THE INERTING SYSTEM

Addressees:

All boiling-water-reactor (BWR) facilities having a Mark I or Mark II  
containment.

Purpose:

IE Information Notice 84-17, "Problems with Liquid Nitrogen Cooling Components  
Below the Nil-Ductility Temperature," was issued to describe a large crack in  
the vent header of Hatch Unit 2 that was attributed to brittle fracture caused  
by the injection of cold nitrogen during inerting system operation. The  
purpose of this information notice is to advise licensees and applicants of a  
crack discovered in the nitrogen inerting and purge line of Hatch Unit 1, and  
to re-emphasize the concern regarding inerting system failures that may result  
in cooling of components below the nil-ductility temperature (NDT) of associated  
materials susceptible to brittle fracture.

It is expected that the recipients of this notice will review the information  
for applicability to their facilities and consider actions, if appropriate, to  
preclude similar problems at their facilities. However, suggestions contained  
in this notice do not constitute NRC requirements; therefore, no specific  
action or written response is required.

Description of Circumstances:

Hatch Unit 2 Vent Header Crack and Subsequent Actions - On February 3, 1984,  
Georgia Power Company reported a through-wall crack almost completely around  
the vent header within the containment torus of Hatch Unit 2. Later that day  
IE Bulletin 84-01, "Cracks in Boiling Water Reactor Mark I Containment Vent  
Headers," was issued for action to licensees of BWR facilities with Mark I  
containments that were in cold shutdown. The bulletin required inspection  
for cracks in the containment vent header and in the main vents in the region  
near the intersection with the vent header. The inspections by the licensees  
revealed no cracks. The bulletin also suggested that the operating BWR plants  
with Mark I containments should review their plant data on differential pressures  
between the wetwell and drywell for anomalies that could be indicative of cracks.  
The licensees who performed the review reported no anomalies.

8512270164

851231

PDRI&E Notice 85-099

Following the event, the Regulatory Response Group (RRG) of the BWR Owners Group (BWROG) met twice with the NRC staff, on February 6 and 23, 1984, to present the results of their investigation into the cause of the event and the industry's plans to voluntarily take measures to prevent this type of event. The large crack in the Hatch 2 vent header was confirmed to be the result of brittle fracture caused by the injection of cold nitrogen into the torus during inerting.

As a part of the industry plan, the RRG sent General Electric (GE) Service Information Letter (SIL) No. 402, "Wetwell/Drywell Inerting," to the BWROG representatives on February 17, 1984, and advised the owners to contact their respective NRC project manager on implementation status. The SIL contained several recommended actions to be taken by owners to confirm that equipment damage had not occurred and that inerting system design and operation was proper so that damage would not occur in the future. On March 5, 1984, IE Information Notice No. 84-17 was issued to describe the cause and safety significance of the vent header crack.

During the meetings with the RRG, the NRC staff emphasized the need for each utility to contact its NRC project manager and provide a schedule and plans for actions relative to the SIL in order to ensure the regulatory closeout of the issue. By October 1, 1984, all utilities had provided written responses concerning their plans with respect to the SIL. The written responses varied significantly both in content and in level of detail. However, they all indicated that the SIL recommended actions or appropriate alternatives had already been taken or were planned. This led to a general conclusion by the NRC staff that the industry was taking all the necessary actions regarding this important safety issue.

Hatch Unit 1 Nitrogen Inerting and Purge Line Crack - On December 15, 1984, inservice inspection (ISI) tests using a magnetic particle inspection method were being performed on selected pipe welds of Hatch Unit 1. During this testing, a linear through-wall crack approximately 2-3/4 inches long was discovered in a weld located in the 18-inch nitrogen inerting and purge line between the drywell penetration and inboard containment isolation valve (Ref: LER 84-25). The crack was ground out, and the weld was repaired and satisfactorily tested.

The crack represented a breach of containment integrity. The licensee's investigation as described in the LER indicated that the crack was likely caused by thermally induced stress. The location of the crack is shown on the attached Figure 1. A 2-inch nitrogen makeup line enters the 18-inch purge line approximately 2 feet upstream from the crack. Cold nitrogen entering the purge line from the makeup line makes contact with the purge line in the area of the weld, the contour of which makes it a likely spot for a thermally induced failure to occur.

#### Discussion:

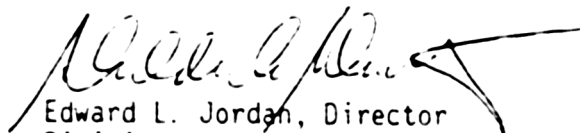
The NRC staff met with Georgia Power Company and its consultants on November 8, 1985, to discuss the safety and regulatory issues stemming from the Hatch Unit 1 crack. The primary conclusions reached at the meeting were as follows:

1. The likely cause of the Unit 1 crack was the growth of a pre-existing weld defect. It is possible that cold nitrogen injection from the makeup system contributed to the growth of the crack. The nitrogen temperature is not monitored during a makeup evolution and there is no automatic shutoff on low temperature. A Nitrogen Inert System Makeup Low Temperature alarm exists, but this alarm was not covered in any annunciator response procedures.

The licensee's corrective actions included raising the nitrogen makeup low temperature alarm set point to 10°F from 0°F and revising the annunciator response procedures to terminate nitrogen makeup when the annunciator is actuated.

2. The licensee performed only a visual inspection of the Unit 1 nitrogen inerting and purge line welds rather than the ultrasonic testing recommended by the SIL. The visual inspections would not have discovered the crack found during the ISI. Therefore, the crack could have existed at the time the SIL was implemented.
3. The nitrogen makeup line was not considered by the licensee to be covered within the scope of the SIL as a source of cold nitrogen (less than 40°F) into containment systems, because of: the use of relatively low flow rates; and the long run of bare piping inside the warm reactor building. The licensee did confirm, however, that the makeup portion of the inerting system was in use for an 18 1/2-hour period in February 1984 when the ambient temperature did not get above 22°F. Makeup line nitrogen temperatures during this period were not known.

No specific action or written response is required by this information notice. If you have any questions about this matter, please contact the Regional Administrator of the appropriate regional office or this office.

  
Edward L. Jordan, Director  
Division of Emergency Preparedness  
and Engineering Response  
Office of Inspection and Enforcement

Technical Contact: R. Singh, IE  
(301) 492-4149

Attachments:

1. Figure 1: Hatch Unit 1 Nitrogen Inerting and Purge System
2. List of Recently Issued IE Information Notices

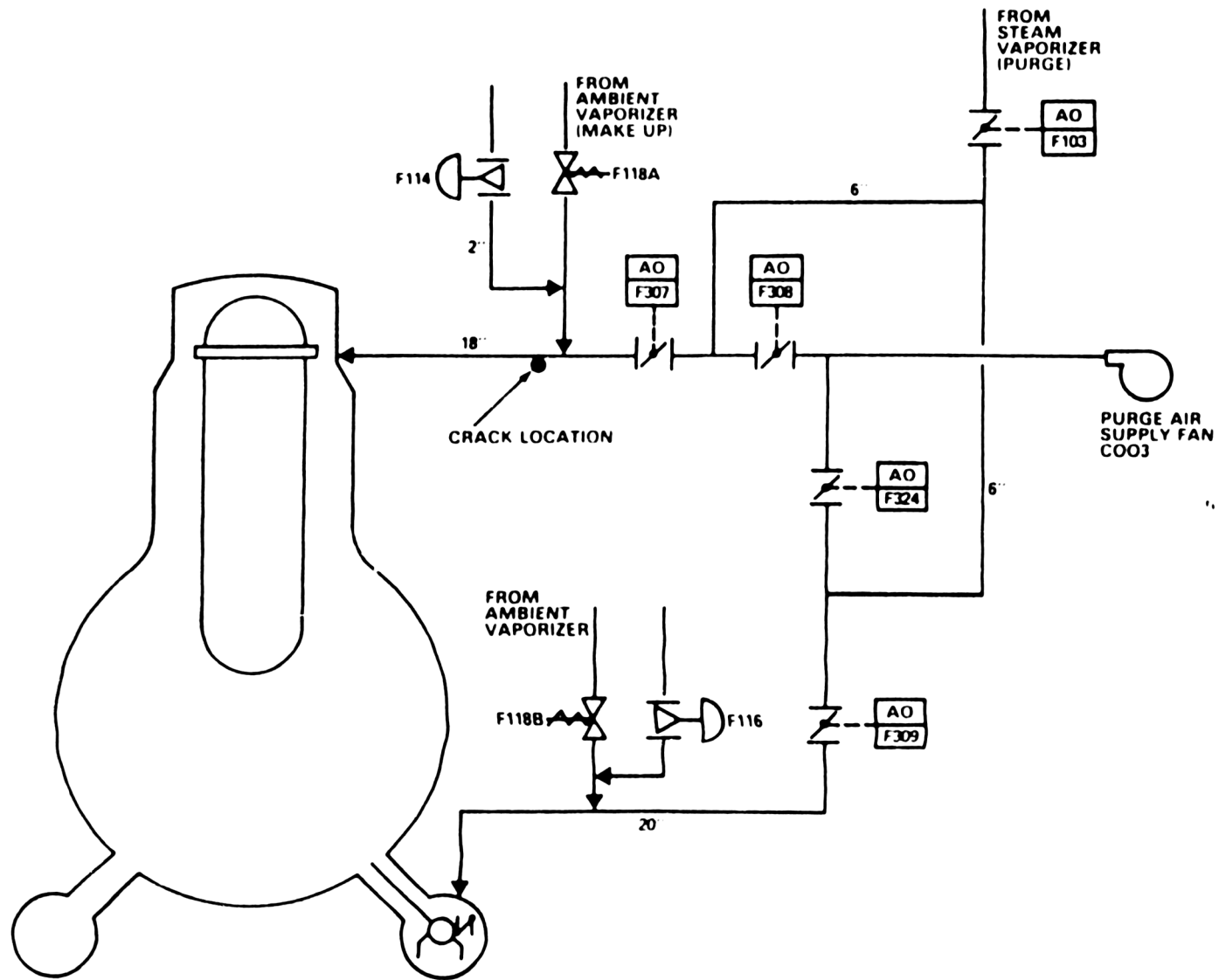


Figure 1: HATCH UNIT 1 NITROGEN INERTING AND PURGE SYSTEM

LIST OF RECENTLY ISSUED  
 IE INFORMATION NOTICES

Information Notice No.	Subject	Date of Issue	Issued to
85-98	Missing Jumpers From Westinghouse Reactor Protection System Cards For The Over-Power Delta Temperature Trip Function	12/26/85	All Westinghouse designed PWR facilities holding an OL or CP
85-97	Jail Term For Former Contractor Employee Who Intentionally Falsified Welding Inspection Records	12/26/85	All power reactor facilities holding an OL or CP
85-96	Temporary Strainers Left Installed In Pump Suction Piping	12/23/85	All power reactor facilities holding an OL or CP
85-95	Leak Of Reactor Water To Reactor Building Caused By Scram Solenoid Valve Problem	12/23/85	All BWR facilities holding an OL or CP
85-94	Potential For Loss Of Minimum Flow Paths Leading To ECCS Pump Damage During A LOCA	12/13/85	All power reactor facilities holding an OL or CP
85-93	Westinghouse Type DS Circuit Breakers, Potential Failure Of Electric Closing Feature Because Of Broken Spring Release Latch Lever	12/6/85	All power reactor facilities holding an OL or CP
85-92	Surveys Of Wastes Before Disposal From Nuclear Reactor Facilities	12/2/85	All production and utilization facilities, power reactors, research and test reactors holding an OL or CP
85-91	Load Sequencers For Emergency Diesel Generators	11/27/85	All power reactor facilities holding OL or CP

OL = Operating License  
 CP = Construction Permit

UNITED STATES  
NUCLEAR REGULATORY COMMISSION  
WASHINGTON, D.C. 20555

OFFICIAL BUSINESS  
PENALTY FOR PRIVATE USE \$300

FIRST CLASS MAIL  
POSTAGE & FEES PAID  
USNRC  
WASH D C  
PERMIT No. 667







147250030046 1 1C01CY1FB11M1  
THOMAS M PATTILO  
311 E MAIN STREET  
MADISON IN 47250

190803093935 1 1C01CY1FB11M1  
D D DAVIS  
5332 E BROADWAY  
LONG BEACH CA 90803

120003106018 1 1C01CY1FB11M1  
VIKHIL DESAI  
1419 D ST SE  
WASHINGTON DC 20003

185304032286 1 1C01CY1FB11M1  
STEPHEN DICENSO  
11837 60TH AVE  
GLENDALE AZ 85304

120015106059 1 1C01CY1FB11M1  
JOHN F DOHERTY  
5429 CONNECTICUT AVE  
APT 303  
WASHINGTON DC 20015

163130040077 1 1C01CY1FB11M1  
LEO DREY  
515 WEST POINT AVENUE  
UNIVERSITY CITY MO 63130

176106092288 1 1C01CY1FB11M1  
STEPHEN J BRISCOLL  
10730 TALL OAK DR  
FORT WORTH TX 76108

160630080001 1 1C01CY1FB11M1  
JOHN J FINERTY  
5055 W WINDSOR AVE  
CHICAGO IL 60630

185282050527 1 1C01CY1FB11M1  
WILLIAM G FISHER  
2082 EAST BALBOA DR  
TEMPE AZ 85282

180210001343 1 1C01CY1FB11M1  
JOHN W FLORA  
NUCLEAR CONSULTANT  
3076 SOUTH HIGH STREET  
DENVER CO 80210

197707103211 1 1C01CY1FB11M1  
ASLAF  
RICHARD FOSTER  
PO BOX 4253  
SUNRIVER OR 97707

111590103070 1 1C01CY1FB11M1  
LUIS GALINDO  
30 WESTWOOD DR  
APT 56  
WESTBURY NY 11590

193704077497 1 1C01CY1FB11M1  
JOHN F GIBSON  
5762 N SAN CARLO  
APT 104  
FRESNO CA 93704

195060103492 1 1C01CY1FB11M1  
JAMES D GILCREST  
MECHANICAL ENGINEER  
312 LOCUST ST  
SANTA CRUZ CA 95060

130058104480 1 1C01CY1FB11M1  
MORRIS V GURNELL  
FIRE PROTECTION ENGINEER  
1091 SILVER SPUR COURT  
LITHONIA GA 30058

102017105991 1 1C01CY1FB11M1  
STEVEN HUNT  
245 SUMMER ST  
BOSTON MA 02017

107012093831 1 1C01CY1FB11M1  
H C JUNG  
CONSULTANT  
23 DIANNE CT  
CLIFTON NJ 07012

160540100711 1 1C01CY1FB11M1  
PAUL KAUFMAN  
1020 RAINBRIDGE DR  
BROOKDALE IL 60540

137921106178 1 1C01CY1FB11M1  
QUALITY ENGINEERING ASSOCIATES  
R F KIRK  
3107 SANDALWOOD RD  
KNOXVILLE TN 37921

129151103365 1 1C01CY1FB11M1  
MARK KNECHTEL  
CAINS MILL RD  
SUMTER SC 29151

119149029325 1 1C01CY1FB11M1  
MARVIN LEWIS  
6504 BRADFORD TERRACE  
PHILADELPHIA PA 19149

121045078882 1 1C01CY1FB11M1  
FREDERICK B LORPIN  
CONSULTING ENGINEER  
6186 CAMPFIRE  
COLUMBIA ME 21045

102017105992 1 1C01CY1FB11M1  
DAVID P LOPAUS  
245 SUMMER ST  
BOSTON MA 02017

144094105329 1 1C01CY1FB11M1  
VIICO NUCLEAR PRODUCTS INC  
STEVE MARSH  
QA MANAGER  
4445 HAMANN PARKWAY  
WILLOUGHBY OH 44094

137830082711 1 1C01CY1FB11M1  
CARLYLE MICHELSON  
20 ARGONNE PLAZA SUITE 365  
ACRS  
OAK RIDGE TN 37830

101730005908 1 1C01CY1FB11M1  
DADE W MOELLER  
27 WILDWOOD DR  
ACRS  
BEDFORD MA 01730

155144105859 1 1C01CY1FB11M1  
CERAMIC MATERIALS DEPT/3M  
WILLIAM P NITARDY  
BLDG 207-1W-15  
ST PAUL MA 55144

194602064669 1 1C01CY1FB11M1  
B-E NYE  
RECORDS SPECIALIST  
4308 EVERETT AVENUE  
OAKLAND CA 94602

115228095940 1 1C01CY1FB11M1  
FRANK P GITTINO  
294 LEMOYNE  
PITTSBURGH PA 15228

170808055135 1 1C01CY1FB11M1  
ROY A PARKER  
5051 ABELIA DR  
BATON ROUGE LA 70808

118780108821 1 1C01CY1FB11M1  
JOSEPHINE M PICCOVE  
1119 CORSET DR  
WEST CHESTER PA 19382

140475091495 1 1C01CY1FB11M1  
EARL PRICE  
RTE 876 RICHMOND-BYPASS  
POB 1500  
RICHMOND NY 40475

154041103187 1 1C01CY1FB11M1  
GLENN A REED  
187 PARK RD  
ACRS  
TWO RIVERS WI 54241

115065092196 1 1C01CY1FB11M1  
MELVIN RUEDIGER  
PO BOX 204  
NATRONA HEIGHTS PA 15065

177183105990 1 1C01CY1FB11M1  
DELMAR F RUSSELL  
1821 ENCLAVADA DR  
HOUSTON TX 77083

160416064406 1 1C01CY1FB11M1  
ROBERT SAYERS  
RF #1 BOX 158  
COAL CITY IL 60416

154303082318 1 1C01CY1FB11M1  
RONALD V SCHEEL  
RADIATION PHYSICIST  
573 W CHICKADEE LANE  
GREEN BAY WI 54303

143220029417 1 1C01CY1FB11M1  
PAUL G SHEWMON  
2477 LYTHAM RD  
ACRS  
COLUMBUS OH 43220

161820005917 1 1C01CY1FB11M1  
ACRS  
CHESTER P SIESS  
805 HAMILTON DRIVE  
ACRS  
CHAMPAIGN IL 61820

161010082236 1 1C01CY1FB11M1  
A F STONE  
BOX D  
BYRON IL 61010

130144092829 1 1C01CY1FB11M1  
JOHN E STORRS  
3970 WESTMORELAND DR  
KENNESAW GA 30144

190035102091 1 1C01CY1FB11M1  
ROBYN TAYLOR  
PO BOX 35481  
LOS ANGELES CA 90035

10CANAE079706 1 1C01CY1FB11M1  
CHRIS TOOMEY  
37 LOCKDALE STREET--AGINCOURT  
ONTARIO M1S 2Z5 CANADA

127560079702 1 1C01CY1FB11M1  
WILLIAM M YEAGER  
BOX 33 ROUTE 1  
MORRISVILLE NC 27560

128212106061 1 1C01CY1FB11M1  
ACRS  
CHARLES J WYLIE  
9510 LAWYERS RD  
CHARLOTTE NC 28212

101720091364 1 1C01CY1FB11M1  
ACTON ENVIRON TESTING CORP  
R S COWDREY  
PRESIDENT  
533 MAIN STREET  
ACTON MA 01720

130328093994 1 1C01CY1FB11M1  
ADVANCED TECHNOLOGY INC  
1140 HAMMOND DR  
SUITE 1110  
ATLANTA GA 30328

131401103201 1 1C01CY1FB11M1  
ADVANCED TECHNOLOGY INC  
G NEIL MIDKIFF  
24 DRAYTON ST  
SUITE 710  
SAVANNAH GA 31401

172203053558 1 1C01CY1FB11M1  
AFCO STEEL INC  
ROBERT F OATES  
GA MANAGER  
1423 E 5TH ST PO BOX 231  
LITTLE ROCK AR 72203

136130091832 1 1C01CY1FB11M1  
ALABAMA CIVIL DEFENSE DEPT  
DAN TURNER  
DIRECTOR  
64 N UNION ST ADMIN BLDG  
MONTGOMERY AL 36130

136130056611 1 1C01CY1FB11M1  
ALABAMA DEPT OF PUBLIC HEALTH  
ENVIRONMENTAL HEALTH ADMIN  
AUFREY GOODWIN  
CHIEF-BUREAU OF RAD HEALTH  
510 STATE OFC BLDG  
MONTGOMERY AL 36130

136319080531 1 1C01CY1FB11M1  
ALABAMA POWER CO  
FARLEY 1 NPS  
PLANT MANAGER  
COLUMBIA AL 36319

136319080542 1 1C01CY1FB11M1  
ALABAMA POWER CO  
FARLEY 1 NPS  
PLANT MANAGER  
COLUMBIA AL 36319

135291006787 1 1C01CY1FB11M1  
ALABAMA POWER CO  
POWER GENERATION  
R P MCDONALD  
SR VICE PRESIDENT  
PO BOX 2641  
BIRMINGHAM AL 35291

135203074289 4 1C01CY1FB11M1  
ALABAMA POWER CO  
NUCLEAR GENERATION  
C H MUDD  
DOCUMENT CONTROL SUPERVISOR  
600 N 18TH ST  
BIRMINGHAM AL 35203

199611011192 1 1C01CY1FB11M1  
ALASKA DEPT OF ENVIRON CONSERV  
BILL ROSS  
COMMISSIONER  
POUCH O  
JUNEAU AK 99811

136331091368 1 1C01CY1FB11M1  
ALFAP INC  
BRUCE GRANTHAM  
QA MANAGER  
PO BOX 1334  
ENTERPRISE AL 36331

107006079661 1 1C01CY1FB11M1  
ALISON CONTROL INC  
JAMES D MICELI  
DIRECTOR OF MARKETING  
35 DANIEL ROAD WEST  
FAIRFIELD NJ 07006

117108103812 1 1C01CY1FB11M1  
ALLEGHENY ELEC COOPERATIVE INC  
WILLIAM WATSON  
212 LOCUST ST PO BOX 1266  
HARRISBURG PA 17108

129612025953 1 1C01CY1FB11M1  
ALLIED GENERAL NUC SERVICES  
J A BUCKHAM  
PO BOX 847  
BARNWELL SC 29812

117405091371 1 1C01CY1FB11M1  
ALLIS CHALMERS CORP  
VALVE OPERATIONS  
JAMES THOMPSON  
E BERLIN RD PO BOX 712  
POE M93  
YORK PA 17405

117331091372 1 1C01CY1FB11M1  
ALLOY FOODS INC  
STANLEY E FERFEE  
MANAGER-R&D  
WILSON AVE PO BOX 517  
HANOVER PA 17331

117331091434 1 1C01CY1FB11M1  
ALLOY RODS INC  
ALLEGHENY INTERNATIONAL INC  
R J STALLMAN  
QA MANAGER  
WILSON AVE PO BOX 517  
HANOVER PA 17331

107036053131 1 1C01CY1FB11M1  
ALOYCO INC  
JOHN L HAWLEY  
NUCLEAR ENGN CONSULTANT  
1400 W ELIZABETH AVE  
LINDEN NJ 07036

107036091743 1 1C01CY1FB11M1  
ALOYCO INC  
FRANK A TRUPPO  
MANAGER-QUALITY ASSURANCE  
1400 W ELIZABETH AVE  
LINDEN NJ 07036

153024052919 1 1C01CY1FB11M1  
AMERACE CORP  
CONTROL PRODUCTS DIVISION  
R J BERTLING  
1000 HICKORY ST  
GRAFTON WI 53024

107083103914 1 1C01CY1FB11M1  
AMERACE CORP  
JOSEPH FERGUSON  
QUALITY ASSURANCE MANAGER  
1065 FLORAL AVE  
UNION NJ 07083

153024091373 1 1C01CY1FB11M1  
AMERACE CORP  
CONTROL PRODUCTS DIV  
MEL Q MARTIN  
QA MANAGER  
1000 HICKORY ST  
GRAFTON WI 53024

138012091374 1 1C01CY1FB11M1  
AMERICAN AIR FILTER CO INC  
P C LEFEVRE  
QC SUPERVISOR  
2000 TAMM ST  
BROWNSVILLE TN 38012

111763091375 1 1C01CY1FB11M1  
AMERICAN ENVIRONMENTS CO INC  
17 COMMERCIAL BLVD  
MEDFORD NY 11763

102862053321 1 1C01CY1FB11M1  
AMERICAN INSULATED WIRE CORP  
ARTHUR M AUBREY  
36 FREMAN ST  
PO BOX 880  
PAWTUCKET RI 02862

106032031448 2 1C01CY1FB11M1  
AMERICAN NUCLEAR INSURERS  
LIBRARY  
DOTTY SHERMAN  
270 FARMINGTON AVE  
SUITE 245  
FARMINGTON CT 06032

143537091377 1 1C01CY1FB11M1  
AMERICAN WARMING & VENT INC  
DONALD SLOAN  
QA MANAGER  
1310 INDIAN WOOD CIRCLE  
MAUMEE OH 43537

192021053502 1 1C01CY1FB11M1  
AMETEK INC  
STRAZA DIV  
WENDELL J PEET  
QA DIRECTOR  
790 GREENFIELD DRIVE  
EL CAJON CA 92021

146952105904 1 1C01CY1FB11M1  
ANACONDA WIRE & CABLE CO  
TING H LING  
E 8TH ST PO BOX 188  
MARION IN 46952

146952000017 1 1C01CY1FB11M1  
ANACONDA WIRE & CABLE CO  
DAVID O BOSTROM  
DIV QA  
PO BOX 188-E 8TH ST  
MARION IN 46952

146240101732 1 1C01CY1FB11M1  
ANACONDA-ERICSSON INC  
UMI HEADQUARTERS  
TING H LING  
901 E 86TH ST PO BOX 40856  
INDIANAPOLIS IN 46240

117701091379 1 1C01CY1FB11M1  
ANCHOR DARLING VALVE CO  
J J CHAPPELL  
MANAGER-ENGINEERING  
PO BOX 3428  
WILLIAMSPORT PA 17701

117701002849 1 1C01CY1FB11M1  
ANCHOR DARLING VALVE CO  
W G KNECHT  
TECHNICAL DIRECTOR  
701 FIRST ST  
WILLIAMSPORT PA 17701

117701091380 1 1C01CY1FB11M1  
ANCHOR DARLING VALVE CO  
G W KNIESER  
QA MANAGER  
701 FIRST ST PO BOX 3428  
WILLIAMSPORT PA 17701

194025103328 1 1C01CY1FB11M1  
ANCHOR DARLING VALVE CO  
SALES DIVISION  
R T BEEK  
VICE PRESIDENT  
1050 TRINITY DR  
MENLO PARK CA 94025

190230106065 1 1C01CY1FB11M1  
ANCO ENGINEER INC  
LEN LEONARD  
9937 JEFFERSON BLVD  
CULVER CITY CA 90230

177401081434 1 1C01CY1FB11M1  
ANDERSON GREENWOOD & CO  
INDUSTRIAL PRODUCTS DIVISION  
P D MARINSHAW  
PO BOX 1097  
BELLAIRE TX 77401

177036052925 1 1C01CY1FB11M1  
ANDERSON GREENWOOD & CO  
FRANK PIZZITOLA  
QUALITY DIRECTOR  
5425 SOUTH RICE AVE  
HOUSTON TX 77036

163118094226 1 1C01CY1FB11M1  
ANHEUSER-BUSCH CO  
ENVIPON ENGR & RESOURCES  
ROBERT WACHTER  
ONE PUSCH PL  
ST LOUIS MO 63118

1ITALY081551 1 1C01CY1FB11M1  
ANSALDO SPA DBGV  
TULLIO BADINO  
DGP MANAGER  
VIALE SARCA 336  
MILANO 20126 ITALY

129115055443 1 1C01CY1FB11M1  
APPLIED ENGINEERING CO INC  
NUCLEAR PROJECTS MANAGER  
PO BOX 1327  
ORANGEBURG SC 29115

129116103171 1 1C01CY1FB11M1  
APPLIED ENGINEERING CO INC  
ROBERT L MOORE  
QA MANAGER  
1525 CHARLESTOWN RD  
ORANGEBURG SC 29116

194577103558 1 1C01CY1FB11M1  
APPLIED FUSION  
J D HOLLISON  
VICE PRESIDENT  
1915 REPUBLIC AVE  
SAN LEANDRO CA 94577

131513104785 1 1C01CY1FB11M1  
APPLING COUNTY PUBLIC LIBRARY  
WYNELL BUSH  
LIBRARIAN  
301 CITY HALL DR  
BAXLEY GA 31513

194303056998 1 1C01CY1FB11M1  
APTECH ENGINEERING SERVICES  
STEVE A LEFTON  
795 SAN ANTONIO ROAD  
FALC ALTO CA 94303

102149091515 1 1C01CY1FB11M1  
APV GAULIN INC  
R REGIS  
QA MANAGER  
44 GARDEN ST  
EVERETT MA 02149

117851091381 1 1C01CY1FB11M1  
ARCOS CORP  
WILLIAM WIEHE  
DIRECTOR-QUALITY SYSTEMS  
PTE 51 & 54  
MT CARMEL PA 17851

183403103606 1 1C01CY1FB11M1  
ARGONNE NATIONAL LABORATORY  
IDAHO FACILITIES  
LIBRARIAN  
P O BOX 2528  
IDAHO FALLS ID 83403

183403103690 1 1C01CY1FB11M1  
ARGONNE NATIONAL LABORATORY  
OFFICE OF NUCLEAR SAFETY  
PO BOX 2528  
IDAHO FALLS ID 83403

160439103509 1 1C01CY1FB11M1  
ARGONNE NATIONAL LABORATORY  
OFFICE OF OPERATIONAL SAFETY  
JAMES H TALBOY  
9700 S CASS AVE  
ARGONNE IL 60439

160439085948 1 1C01CY1FB11M1  
ARGONNE NATIONAL LABORATORY  
R W WEEKS  
9700 SOUTH CASS AVENUE  
ARGONNE IL 60439

185072104779 1 1C01CY1FB11M1  
ARIZONA PUBLIC SERVICE CO  
ARIZONA NUCLEAR POWER PROJECT  
J R BYNUM  
PO BOX 52034  
M/S-6125  
PHOENIX AZ 85072

185072104778 1 1C01CY1FB11M1  
ARIZONA PUBLIC SERVICE CO  
ARIZONA NUC POWER PROJECT  
E E VAN BRUNT JR  
PO BOX 52034  
M/S-4060  
PHOENIX AZ 85072

185281064198 1 1C01CY1FB11M1  
ARIZONA RADIAT REGULATORY AGCY  
CHARLES F TEDFORD  
DIRECTOR  
925 S 52ND ST  
SUITE 2  
TEMPE AZ 85281

172201002410 1 1C01CY1FB11M1  
ARKANSAS DEPT OF HEALTH  
RADIATION CONTROL PROGS  
E F WILSON  
DIRECTOR  
4815 W MARKHAM ST  
LITTLE ROCK AR 72201

172801080569 1 1C01CY1FB11M1  
ARKANSAS POWER & LIGHT CO  
ARKANSAS 1 NPS  
PLANT MANAGER  
PO BOX 608  
RUSSELVILLE AR 72801

172801080570 1 1C01CY1FB11M1  
ARKANSAS POWER & LIGHT CO  
ARKANSAS 2 NPS  
PLANT MANAGER  
PO BOX 608  
RUSSELVILLE AR 72801

172203093192 1 1C01CY1FB11M1  
ARKANSAS POWER & LIGHT CO  
NUCLEAR OPERATIONS  
VICE PRESIDENT  
PO BOX 551  
LITTLE ROCK AR 72203

172801064687 1 1C01CY1FB11M1  
ARKANSAS POWER & LIGHT CO  
JESSALYN DAVIS  
OFFICE SVCS SUPERVISOR  
PO BOX 608  
RUSSELLVILLE AR 72801

172203005004 1 1C01CY1FB11M1  
ARKANSAS POWER & LIGHT CO  
ENERGY SUPPLY  
JOHN M GRIFFIN  
SR VICE PRESIDENT  
PO BOX 551  
LITTLE ROCK AR 72203

172801079376 1 1C01CY1FB11M1  
ARKANSAS POWER & LIGHT CO  
ARKANSAS NUCLEAR ONE  
JAMES M LEVINE  
PLANT MANAGER  
PO BOX 608  
RUSSELLVILLE AR 72801

132785052928 1 1C01CY1FB11M1  
ARMCO INC  
STAINLESS STEEL DIV  
ROBERT W SCHULTZ  
QUALITY ASSURANCE SUPV  
RT 2 BOX 1A  
WILDWOOD FL 32785

120814079397 1 1C01CY1FB11M1  
ARPEL FORCES RADIOBIO RES INST  
REACTOR BRANCH  
NATIONAL NAVAL MED CENTER  
BETHESDA MD 20814

195003067159 1 1C01CY1FB11M1  
ARREMONY ASSOCIATES  
NDE SUPPORT SERVICES  
DON ARREMONY  
3060 VALENCIA AVE SUITE G8  
APTOS CA 95003

120853079690 1 1C01CY1FB11M1  
ARTHUR M CARTER JR & ASSOC  
14632 CROSSWAY RD  
ROCKVILLE MD 20853

133704094263 1 1C01CY1FB11M1  
ASSOCIATED POWER SYSTEMS INC  
JOHN R ZILKA  
VICE PRESIDENT OPERATIONS  
1325 SNELL ISLE BLVD  
SUITE 218  
ST PETERSBURG FL 33704

106001093754 1 1C01CY1FF11M1  
ATCOR ENGINEERING SYSTEMS INC  
CHEM NUCLEAR DIV  
K H DUFRANE  
135 DARLING DR  
AVON CT 06001

135611104013 1 1C01CY1FF11M1  
ATHENS PUBLIC LIBRARY  
VAUCE S MILLER  
HEAD LIBRARIAN  
SOUTH OT  
ATHENS AL 35611

108232030197 1 1C01CY1FB11M1  
ATLANTIC CITY ELECTRIC CO  
M I HARLACHER  
VICE PRESIDENT-ENGINEERING  
1199 BLACK HORSE PIKE  
PLEASANTVILLE NJ 08232

123500056621 1 1C01CY1FF11M1  
ATLANTIC NUCLEAR SERVICES INC  
ALAN SOVNER  
PO BOX 12716  
NORFOLK VA 23502

1JAPANCH1500 1 1C01CY1FF11M1  
ATOMIC ENERGY BUREAU, STA  
LWR SAFETY RESEARCH EXCH  
TAMURA SHUJI  
ADMINISTRATOR  
2-1 KASUMIGASEKI 2-CHOME  
CHIYODA-KU TOKYO 100 JAPAN

1TAIWAC67151 1 1C01CY1FB11M1  
ATOMIC ENERGY COUNCIL  
YU HAO LEE  
ADMINISTRATOR  
67 LANE 144 KEELUNG RD SEC 4  
TAIPEI 107 TAIWAN

1EGYFT066990 1 1C01CY1FB11M1  
ATOMIC ENERGY ESTABLISHMENT  
F H HAMMAD  
ADMINISTRATOR  
101 KASR ELEINY ST  
CAIRO EGYPT

1CANAD100774 1 1C01CY1FB11M1  
ATOMIC ENERGY OF CANADA LTD  
JOEL LIEDERMAN  
1500 DORCHESTER BLVD WEST  
H3H 1P9  
MONTREAL QUEBEC CANADA

101970091386 1 1C01CY1FB11M1  
ATWOOD & MORRILL CO INC  
J M COVEY  
QA MANAGER  
285 CANAL ST  
SALEM MA 01970

1SPAIN103814 1 1C01CY1FB11M1  
ASOCIACION NUCLEAR VANDELLOS  
PROYECTO C N VANDELLOS II  
MIGUEL CAMPS  
DIRECTOR  
TRAVESSERA DE LES CORTS  
39 43 BARCELONA 28 SPAIN

107013055837 1 1C01CY1FB11M1  
ASSOCIATED TECHNOLOGIES INC  
AJIT K KHAUND  
VICE PRESIDENT  
1200 ROUTE 46  
CLIFTON NJ 07013

130622103358 1 1C01CY1FB11M1  
ATHENIANS FOR CLEAN ENERGY  
TOM CLEMENTS  
COORDINATOR  
RT 1 PO BOX 98  
BOGART GA 30622

130076105888 1 1C01CY1FB11M1  
ATLAN-TECH INC  
ROBERT A HEARN JR  
PRESIDENT  
635 HEMPREE PARKWAY  
ROSWELL GA 30076

108232105865 1 1C01CY1FB11M1  
ATLANTIC CITY ELECTRIC CO  
JOINT GENERATION PROJ DEPT  
M H HIRST  
DIRECTOR  
POB 1500 1199 BLACK HORSE PIKE  
PLEASANTVILLE NJ 08232

107012091384 1 1C01CY1FB11M1  
ATLAS INDUSTRIAL MFG CO  
RAYSEY MAHADEEN  
QA MANAGER  
81 SOMERSET PL  
CLIFTON NJ 07012

1CANAD091227 1 1C01CY1FB11M1  
ATOMIC ENERGY CONTROL BOARD  
DIRECTORATE OF REACTOR REGULAT  
G ISHACK  
PO BOX 1046  
OTTAWA K1P 5S5 CANADA

1TAIWA103688 1 1C01CY1FB11M1  
ATOMIC ENERGY COUNCIL  
NUCLEAR REGULATORY DIVISION  
DOP-YU HSIA  
67 LANE 144 KEELUNG RD  
SECT 4  
TAIPEI 107 TAIWAN

1CANAD056819 1 1C01CY1FB11M1  
ATOMIC ENERGY OF CANADA LTD  
CANEU OPERATIONS  
LIBRARY  
1155 RUE METCALFE  
2ND FLOOR  
MONTREAL QUEBEC CANADA

122003106047 1 1C01CY1FB11M1  
ATOMIC INDUSTRIAL FORUM  
TECHNICAL DEPT  
PATRICK C HIGGINS  
MANAGER  
8474 NICOLE COURT  
ANNANDALE VA 22003

168305104222 1 1C01CY1FB11M1  
AUBURN PUBLIC LIBRARY  
LOY MOWERY  
DIRECTOR  
1118 15TH ST PO BOX 324  
AUBURN NE 68305

178701104248 1 1C01CY1FB11M1  
AUSTIN PUBLIC LIBRARY  
AUSTIN-TRAVIS CNTY COLLECTION  
NANCY BYRD  
ASST CURATOR-AUSTIN HIST CTR  
810 GUADALUPE ST PO BOX 2287  
AUSTIN TX 78701

107932079111 1 1C01CY1FB11M1  
AUTOMATIC SWITCH CO  
WILLIAM M BROWN  
MGR-GOVT NUCLEAR SALES  
HANOVER ROAD  
FLORHAM PARK NJ 07932

1CANAD053197 1 1C01CY1FB11M1  
E & W CANADA LTD  
GALT ONTARIO CANADA

162249052949 1 1C01CY1FB11M1  
E LINE SYSTEMS INC  
DONALD MATLOCK  
QA MANAGER  
509 WEST MONROE STREET  
HIGHLAND IL 62249

144203052935 1 1C01CY1FB11M1  
BARCOCK & WILCOX CO  
NED-FW108  
PO BOX 271  
BARBERTON OH 44203

120814601431 1 1C01CY1FB11M1  
BARCOCK & WILCOX CO  
NUCLEAR POWER DIVISION  
R R BORSUM  
7910 WOODMONT AVE  
SUITE 220  
BETHESDA MD 20814

124506103452 1 1C01CY1FB11M1  
BARCOCK & WILCOX CO  
NUCLEAR POWER DIVISION  
J FICOR  
MANAGER-QUALITY ASSURANCE  
PO BOX 11646  
LYNCHBURG VA 24505

124505104627 1 1C01CY1FB11M1  
BARCOCK & WILCOX CO  
RESEARCH & DEVELOPMENT DIV  
ARNE F OLSEN  
LICENSE ADMINISTRATOR  
PO BOX 11165  
LYNCHBURG VA 24505

124505093375 1 1C01CY1FB11M1  
BARCOCK & WILCOX CO  
WPPSS PROJECTS  
D C WINTERICH  
SR PROJECT MANAGER  
PO BOX 1260  
LYNCHBURG VA 24505

144092079497 1 1C01CY1FB11M1  
BAILEY CONTROLS CO  
PRUCE J FEIKLE  
MANAGER-PRODUCT ASSURANCE ENGR  
29801 EUCLID AVE  
2UE  
WICKLIFFE OH 44092

120657063178 1 1C01CY1FB11M1  
BALTIMORE GAS & ELECTRIC CO  
TRAINING & TECHNICAL SERVICES  
R E DENTON  
GENERAL SUPERVISOR  
MD ROUTES 2 AND 4  
LUSBY MD 20657

144147094450 1 1C01CY1FB11M1  
AUTOMATIC SPRINKLER CORP  
JACK GULLO  
QUALITY ASSURANCE MANAGER  
PO BOX 180  
BROADVIEW HEIGHTS OH 44147

107932091387 1 1C01CY1FB11M1  
AUTOMATIC SWITCH CO  
L S OLSEN  
GC MANAGER  
50-56 HANOVER RD  
FLORHAM PARK NJ 07932

115001103005 1 1C01CY1FB11M1  
B F JONES MEMORIAL LIBRARY  
MARY ANN PAULIN  
REFERENCE & FILM LIBRARIAN  
663 FRANKLIN AVE  
ALTIQUIPPA PA 15001

124505106062 1 1C01CY1FB11M1  
BARCOCK & WILCOX CO  
LIBRARY  
PO BOX 10935  
LYNCHBURG VA 24505

124505103169 4 1C01CY1FB11M1  
BARCOCK & WILCOX CO  
NUCLEAR POWER DIV  
TECH LIBRARY  
PO BOX 10935  
LYNCHBURG VA 24505

144601081356 1 1C01CY1FB11M1  
BARCOCK & WILCOX CO  
RESEARCH CENTER LIBRARY  
J W CARTER  
SUPERVISOR-LIBRARY SERVICES  
1552 BEESON ST  
ALLIANCE OH 44601

144203091711 1 1C01CY1FB11M1  
BARCOCK & WILCOX CO  
T F HASH  
QA MANAGER  
91 STIRLING AVE PO BOX 271  
BARBERTON OH 44203

124505001578 1 1C01CY1FB11M1  
BARCOCK & WILCOX CO  
LICENSING NP GEN DIV  
J H TAYLOR  
P O BOX 1260  
LYNCHBURG VA 24505

124506103886 1 1C01CY1FB11M1  
BARCOCK & WILCOX CO  
NUCLEAR POWER DIV  
D W ZEFF  
MANAGER-MATERIALS & FACILITIES  
PO BOX 11646  
LYNCHBURG VA 24505

121203081567 1 1C01CY1FB11M1  
BALTIMORE GAS & ELECTRIC CO  
GENERAL SERVICES  
NORMAN BOWMAKER  
VICE PRESIDENT  
PO BOX 1475  
BALTIMORE MD 21203

121203081568 1 1C01CY1FB11M1  
BALTIMORE GAS & ELECTRIC CO  
GENERAL SERVICES  
DAN J LATHAM  
DIRECTOR-SECURITY SERVICES  
ONE CENTER PLZ PO BOX 1475 2FL  
BALTIMORE MD 21203

121203006139 1 1C01CY1FB11M1  
BALTIMORE GAS & ELECTRIC CO  
SUPPLY  
A E LUNDEVALL  
VICE PRESIDENT  
PO BOX 1475  
BALTIMORE MD 21203

120657094453 1 1C01CY1FB11M1  
BALTIMORE GAS & ELECTRIC CO  
CALVERT CLIFFS NUCLEAR PLANT  
JCHN ROSS  
SECURITY SCREENING UNIT  
LUSBY MD 20657

195060063660 1 1C01CY1FB11M1  
BARON & ASSOCIATES INC  
STEPHEN L BARON  
207 MISSION STREET  
SANTA CRUZ CA 95060

143201102094 1 1C01CY1FB11M1  
BATTELLE COLUMBUS LAB  
QUALITY ASSURANCE DEPT  
CLARENCE WILLIAMS  
MANAGER  
805 MING AVE  
COLUMBUS OH 43201

116106103648 1 1C01CY1FB11M1  
BPC BROWN ROVERI INC  
PROTECTIVE RELAY DIV  
R CONRAD  
QA MANAGER  
351 SNOWDRIFT RD  
ALLENTOWN PA 18106

137830094196 1 1C01CY1FB11M1  
BECHTEL NATIONAL INC  
VAL TOUCHARD  
PO BOX 350  
OAK RIDGE TN 37830

148104001113 1 1C01CY1FB11M1  
BECHTEL POWER CORP  
CENTRAL LIBRARY  
LIBRARIAN  
777 E EISENHOWER PKWY  
ANN ARBOR MI 48104

134119044588 1 1C01CY1FB11M1  
BECHTEL POWER CORP  
M H BRUNS  
MCP-PROJECT ADMINISTRATION  
PO BOX 3965  
SAN FRANCISCO CA 94119

190650082510 1 1C01CY1FB11M1  
BECHTEL POWER CORP  
DOCUMENT PROCESSING WPD  
EDNA DOMKOWSKI  
12400 E IMPERIAL HWY  
42 LL  
NORWALK CA 90650

190060001126 1 1C01CY1FB11M1  
BECHTEL POWER CORP  
LOS ANGELES POWER DIVISION  
JEAN GREGORY  
LIBRARIAN  
TERMINAL ANNEX PO BOX 60860  
LOS ANGELES CA 90060

120877006748 1 1C01CY1FB11M1  
BECHTEL POWER CORP  
QA DEPT  
D C KANSAL  
15740 SHADY GROVE ROAD  
1A1  
GAITHERSBURG MD 20877

120657006431 1 1C01CY1FB11M1  
BALTIMORE GAS & ELECTRIC CO  
QUALITY ASSURANCE DEPARTMENT  
M E ROBERSON  
SUPERVISOR  
CLVRT CLIFFS NUC PWR PLANT  
LUSBY MD 20657

120657103188 3 1C01CY1FB11M1  
BALTIMORE GAS & ELECTRIC CO  
J A TIERNAN  
MANAGER-NUCLEAR POWER  
MARYLAND RTES 2 & 4  
LUSBY MD 20657

191749052940 1 1C01CY1FB11M1  
BARTON INSTRUMENTS  
UNIT OF ITT  
G R WELT  
QA DIRECTOR  
900 SOUTH TURNBULL CANYON RD  
CITY OF INDUSTRY CA 91749

199352006329 1 1C01CY1FB11M1  
BATTELLE PACIFIC NORTHWEST LAB  
ACRS  
SPENCER H BUCH  
630 CEDAR  
BOX 999  
RICHLAND WA 99352

119477053734 1 1C01CY1FB11M1  
BPC BROWN ROVERI INC  
SWITCHGEAR PRODUCTS DIV  
D D DUVALL  
VICE PRESIDENT  
ROUTE 309 & NORRISTOWN RD  
SPRING HOUSE PA 19477

137831103414 1 1C01CY1FB11M1  
BECHTEL NATIONAL INC  
J W THIESING  
NPSS PROGRAM MANAGER  
PO BOX 350  
OAK RIDGE TN 37831

148016091396 1 1C01CY1FB11M1  
BECHTEL POWER CORP  
ANN ARBOR OFFICE  
RICHARD L BENNETT  
QA MANAGER  
PO BOX 1000  
ANN ARBOR MI 48016

120877026694 1 1C01CY1FB11M1  
BECHTEL POWER CORP  
NANCY G CHAPMAN  
15740 SHADY GROVE RD  
GAITHERSBURG MD 20877

148106052944 1 1C01CY1FB11M1  
BECHTEL POWER CORP  
J I DOTSON  
PROJECT MANAGER  
POST OFFICE BOX 1000  
ANN ARBOR MI 48106

120877064676 1 1C01CY1FB11M1  
BECHTEL POWER CORP  
F P JONES  
SUPERVISOR REC MGMT  
15740 SHADY GROVE ROAD  
GAITHERSBURG MD 20877

190650064620 1 1C01CY1FB11M1  
BECHTEL POWER CORP  
C Y LOPINSKY  
STAFF ENGINEER  
12400 E IMPERIAL HWY  
NORWALK CA 90650



190650091921 1 1C01CY1FB11M1  
BECHTEL POWER CORP  
LIBRARY  
DEE MORRIS  
12400 E IMPERIAL HWY  
NORWALK CA 90650

194119091397 1 1C01CY1FB11M1  
BECHTEL POWER CORP  
SF POWER DIV  
EUGENE NELSON  
QA MANAGER  
PO BOX 3965  
SAN FRANCISCO CA 94119

194119006104 1 1C01CY1FB11M1  
BECHTEL POWER CORP  
S F POWER DIVISION  
S W SHOR  
PO BOX 3965  
221 13/A10  
SAN FRANCISCO CA 94119

190060000909 1 1C01CY1FB11M1  
BECHTEL POWER CORP  
WESTERN POWER DIVISION  
EDWARD N VIRZI  
PO BOX 60860 TERMINAL ANNEX  
543F2  
LOS ANGELES CA 90060

103246053738 1 1C01CY1FB11M1  
BERGEN PATERSON PIPESUPPORT CO  
CHARLES E FAULKNER  
VICE PRESIDENT-QA  
34 MOULTON ST  
LACONIA NH 03246

177484091799 1 1C01CY1FB11M1  
FETTIS ROBOT ARM  
A LOCASCIO  
QA MANAGER  
1870 G H CIRCLE PO BOX 508  
WALLER TX 77484

1INDIA003464 1 1C01CY1FB11M1  
BHARHA ATOMIC RESEARCH CENTRE  
LIBRARY & INFO SERVICES  
M K KELKAR  
SCIENTIFIC OFFICER  
TROMBAY  
BOMBAY 400 085 INDIA

120036081372 1 1C01CY1FB11M1  
BISHOP LIBERMAN COOK ET AL  
JOSEPH B KNOTTS  
1200 17TH ST NW  
SUITE 700  
WASHINGTON DC 20036

102125052954 1 1C01CY1FB11M1  
FIB CABLE SYSTEMS INC  
E MANCHESTER  
PRESIDENT  
65 BAY ST  
BOSTON MA 02125

133528004318 1 1C01CY1FB11M1  
BLACK & VEATCH  
WALTER MITCHELL  
PROJECT MANAGER  
PO BOX 10  
DUNEDIN FL 33528

122180064704 1 1C01CY1FB11M1  
BOEING COMPUTER SERVICES  
ENERGY TECH APPL  
S G LINEKER  
7980 GALLOWS CT  
CV-31  
VIENNA VA 22180

190060091395 1 1C01CY1FB11M1  
BECHTEL POWER CORP  
WESTERN POWER DIVISION  
E R NELSEN  
DIVISION QA MANAGER  
PO BOX 60860 TERMINAL ANNEX  
LOS ANGELES CA 90060

177252006455 2 1C01CY1FB11M1  
BECHTEL POWER CORP  
CENTRAL LIBRARY  
DORIS J POLK  
PO BOX 2166  
7RN-6211  
HOUSTON TX 77252

194119091394 1 1C01CY1FB11M1  
BECHTEL POWER CORP  
J B VIOLETTE  
PROJECT MANAGER  
PO BOX 3965  
SAN FRANCISCO CA 94119

129360080092 1 1C01CY1FB11M1  
BENJAMIN F SHAW CO  
LEONARD P SMEAL  
RADIATION PROTECTION OFFICER  
PO BOX 169  
LAURENS SC 29360

103246091787 1 1C01CY1FB11M1  
BERGEN PATERSON PIPESUPPORT CO  
ROBERT STEPHEN  
QA MANAGER  
34 MOULTON ST  
LACONIA NH 03246

1INDIA091242 1 1C01CY1FB11M1  
BHARHA ATOMIC RESEARCH CENTRE  
DAE SAFETY REVIEW CMT  
P ABRAHAM  
ADMINISTRATOR  
TROMBAY  
BOMBAY 400 085 INDIA

197210052948 1 1C01CY1FB11M1  
BINGHAM WILLAMETTE CO  
GUY F ATKINSON CO  
J A ODUMS  
QA ASSISTANT MANAGER  
2800 N W FRONT AVENUE  
PORTLAND OR 97210

110036103847 1 1C01CY1FB11M1  
BISHOP LIBERMAN COOK ET AL  
JAMES B LIBERMAN  
ESG  
1155 AVE OF THE AMERICAS  
NEW YORK NY 10036

164114091400 1 1C01CY1FB11M1  
BLACK & VEATCH  
R E BLAISDELL  
QA MANAGER  
PO BOX 8405  
KANSAS CITY MO 64114

1WGERM005318 1 1C01CY1FB11M1  
BMFT  
REACTOR SAFETY RESEARCH  
K H KREUER  
ADMINISTRATOR  
POSTFACH 120124  
5300 BONN 1 WGERMANY

137830103146 1 1C01CY1FB11M1  
BOEING ENGINEERING CO SE INC  
O R SANDERS  
ENGINEERING DIRECTOR  
767 BOEING RD  
OAK RIDGE TN 37830

197208029759 1 1C01CY1FB11M1  
BONNEVILLE POWER ADMIN  
PO BOX 3621  
PORTLAND OR 97208

1CANAD091422 1 1C01CY1FB11M1  
BORG WARNER CORP  
BYRON JACKSON DIV  
PO BOX 180 STATION H  
TORONTO 13 ONTARIO CANADA

1CANAD052964 1 1C01CY1FB11M1  
BORG WARNER CORP  
BYRON JACKSON DIV  
JACK ANDERSON  
SUPVR-R&M ENGINEERING  
PO BOX 180 STATION H - TORONTO  
ONTARIO M4C 5J1 CANADA

191409053079 1 1C01CY1FB11M1  
BORG WARNER CORP  
NUCLEAR VALVE DIVISION  
PETER L MILINAZZO  
MANAGER QUALITY ASSURANCE  
7500 TYRONE AVENUE  
VAN NUYS CA 91409

190058052965 1 1C01CY1FB11M1  
BORG WARNER CORP  
BYRON JACKSON PUMP DIV  
E W YBARRA  
2300 E VERNON AVE  
06  
LOS ANGELES CA 90058

190749078990 1 1C01CY1FB11M1  
BORG WARNER IND PRODUCTS INC  
BYRON JACKSON/ESDC  
MERRITT HUGINS  
PO BOX 4966  
MS-79  
CARSON CA 90749

102360100710 1 1C01CY1FB11M1  
BOSTON EDISON CO  
PILGRIM 1 NPS  
PLANT MANAGER  
PLYMOUTH MA 02360

102199105341 1 1C01CY1FB11M1  
BOSTON EDISON CO  
R M BUTLER  
NUCLEAR PROJECTS MANAGER  
800 BOYLSTON STREET  
BOSTON MA 02199

102184006262 1 1C01CY1FB11M1  
BOSTON EDISON CO  
NUCLEAR OPERATIONS  
JOHN F FRASER  
25 BRAINTREE HILL PARK  
P 260  
BRAintree MA 02184

102184103184 1 1C01CY1FB11M1  
BOSTON EDISON CO  
BONNIE A GORDON  
NUCLEAR RECORDS SPECIALIST  
25 BRAINTREE HILL OFFICE PARK  
BRAintree MA 02184

102199105340 1 1C01CY1FB11M1  
BOSTON EDISON CO  
W D HARRINGTON  
SENIOR VICE PRESIDENT NUCLEAR  
800 BOYLSTON STREET  
BOSTON MA 02199

102184029316 1 1C01CY1FB11M1  
BOSTON EDISON CO  
NUCLEAR  
JAMES D KEYES  
REG AFFAIRS & PROGS GROUP LDR  
25 BRAINTREE HILL PARK  
BRAintree MA 02184

102360081566 1 1C01CY1FB11M1  
BOSTON EDISON CO  
TRAINING DEPT  
D E SANFORD  
PO BOX 1065  
PLYMOUTH MA 02360

102125091403 1 1C01CY1FB11M1  
BOSTON INSUL WIRE CABLE SYSTEM  
AL SUTKUS  
QA MANAGER  
65 BAY ST UPHAMS CORNER PS  
BOSTON MA 02125

101868103359 1 1C01CY1FB11M1  
EP TECHNICAL SERVICES  
G M GUINN  
GENERAL MANAGER  
PO BOX 4011  
WOBURN MA 01888

160068091796 1 1C01CY1FB11M1  
BRAND EXAM SVC & TESTING CO  
MICHAEL N MARSH  
1420 RENAISSANCE DR  
PARK RIDGE IL 60068

106226052955 1 1C01CY1FB11M1  
BRAND REX CO  
P PETRUCHIK  
PRESIDENT  
PO BOX 498  
WILLIAMANTIC CT 06226

106226091411 1 1C01CY1FB11M1  
BRAND REX CO  
LOUIS E ROBERTS  
QA MANAGER  
W MAIN STREET & RT 32  
WILLIAMANTIC CT 06226

1ITALY091412 1 1C01CY1FB11M1  
BRED A TERMOMECCANICA  
D PANZERI  
VICE PRESIDENT  
VIALE SARCA 336  
MILANO ITALY

111973106139 1 1C01CY1FB11M1  
BROOKHAVEN NATIONAL LABORATORY  
DEPT OF NUCLEAR ENERGY  
NUCLEAR SAFETY LIBRARY  
BLDG 130  
UPTON NY 11973

111973005037 1 1C01CY1FB11M1  
BROOKHAVEN NATIONAL LABORATORY  
NUCLEAR SAFETY LIBRARY  
LIBRARIAN  
BLDG 130  
UPTON NY 11973

111973066851 1 1C01CY1FB11M1  
BROOKHAVEN NATIONAL LABORATORY  
REACTOR DIVISION  
W J BRYNDA  
UPTON  
BLDG 703  
LONG ISLAND NY 11973

111973030913 1 1C01CY1FB11M1  
BROOKHAVEN NATIONAL LABORATORY  
SES  
LEONARD C EMMA  
MANAGER  
BLDG 5C  
UPTON NY 11973

105301104218 1 1C01CY1FB11M1  
BROOKS MEMORIAL LIBRARY  
JUNIA A BRYANT  
ASSISTANT LIBRARIAN  
224 MAIN ST  
BRATTLEBORO VT 05301

177001064710 1 1C01CY1FB11M1  
BROWN & ROOT INC  
P H DARLAND  
MANAGER RECORDS MGMT DEP  
PO BOX 3 01-362  
HOUSTON TX 77001

177001064762 1 1C01CY1FB11M1  
BROWN & ROOT INC  
P JORDAN  
PO BOX 3  
HOUSTON TX 77001

177001052958 1 1C01CY1FB11M1  
BROWN & ROOT INC  
POWER 91-35-12  
W M RICE  
SR VICE PRESIDENT  
PO BOX 3  
HOUSTON TX 77001

119477091416 1 1C01CY1FB11M1  
BROWN BOVERI ELECTRIC INC  
SWITCHGEAR SYSTEMS DIV  
E W RHOADS  
QA DIRECTOR  
NOFRISTOWN RD & RT 309  
SPRING HOUSE PA 19477

12665053329 1 1C01CY1FB11M1  
BROWN BOVERI REAKTOR GMBH  
ABT TFE 14  
FACHBUCHEREI  
GUDENSTR 44  
6900 MANNHEIM 1 GERMANY

128461102996 1 1C01CY1FB11M1  
BRUNSWICK COUNTY LIBRARY  
EMMA MYLES  
LIBRARY ASSISTANT  
109 W MOORE ST  
SOUTHPORT NC 28461

130830104241 1 1C01CY1FB11M1  
BURKE COUNTY LIBRARY  
VELMA R GYISSON  
COUNTY LIBRARIAN  
410 4TH ST  
WAYNESBORO GA 30630

106856057905 1 1C01CY1FB11M1  
BURNBY CORP  
POWER  
M F MONASHKIN  
CONN AND RICHARDS AVE  
203  
NORWALK CT 06856

107649004086 1 1C01CY1FB11M1  
BURNS & ROE INC  
S HARON  
800 KINDERKAMACK RD  
ORADELL NJ 07649

107649103175 1 1C01CY1FB11M1  
BURNS & ROE INC  
F J PATTI  
CHIEF NUCLEAR ENGINEER  
800 KINDERKAMACK RD  
ORADELL NJ 07649

120005105850 1 1C01CY1FB11M1  
BURNS & ROE INC  
J H RUBIN  
1400 K ST NW  
SUITE 910  
WASHINGTON DC 20005

107645038055 1 1C01CY1FB11M1  
BUTLER SERVICE GROUP INC  
FRANK J CIAMPI  
VICE PRESIDENT-HUMAN RESOURCES  
110 SUMMIT AVE  
PO BOX 460  
MONTVALE NJ 07645

161010104244 1 1C01CY1FB11M1  
BYRON PUBLIC LIBRARY  
FELNY A BROURKE  
LIBRARIAN  
218 W 3RD ST PO BOX 434  
BYRON IL 61010

119462091424 1 1C01CY1FB11M1  
C & D BATTERIES  
GEO BRANCA  
QA DIRECTOR  
3043 WALTON RD  
PLYMOUTH MEETING MA 19462

113126094460 1 1C01CY1FB11M1  
C & G VIDEO SYSTEMS INC  
DRA/BISESI STUDIO- PHOTOGRAPHY  
223 W 6TH ST  
OSWEGO NY 13126

191802091423 1 1C01CY1FB11M1  
C F BRAUN & CO  
L K HOVEY  
QA MANAGER  
ALHAMBRA CA 91802

106450020109 1 1C01CY1FB11M1  
C N FLAGG CO  
GLENN R LACEY  
MANAGER-QUALITY ASSURANCE  
450 MURDOCK AVENUE  
MERIDEN CT 06450

195814012056 2 1C01CY1FB11M1  
CALIFORNIA DEPT OF HEALTH SVCS  
RADIOLOGIC HEALTH BRANCH  
JOSEPH G WARD  
714 P ST ROOM 498  
BLDG 8  
SACRAMENTO CA 95814

195814091833 1 1C01CY1FB11M1  
CALIFORNIA ENERGY COMMISSION  
CHARLES R IMBRECHT  
CHAIRMAN  
1514 NINTH ST  
SACRAMENTO CA 95814

195814091978 1 1C01CY1FB11M1  
CALIFORNIA ENERGY COMMISSION  
SITING & ENVIRONMENTAL DIV  
LES WHITE  
1516 9TH ST  
40  
SACRAMENTO CA 95814

195814103152 1 1C01CY1FB11M1  
CALIFORNIA RADIO MATLS MGNT  
ALAN D PASTERNAK  
455 CAPITOL MALL  
SUITE 380  
SACRAMENTO CA 95814

165251102993 1 1C01CY1FB11M1  
CALLAWAY COUNTY PUBLIC LIBRARY  
LADONNA H JUSTICE  
ADMINISTRATIVE LIBRARIAN  
709 MARKET ST  
FULTON MO 65251

120678104226 1 1C01CY1FB11M1  
CALVERT COJNTY LIBRARY  
MARCIA G HAMMETT  
REFERENCE LIBRARIAN  
FOURTH ST P O BOX 405  
PRINCE FREDERICK MD 20678

177251080108 1 1C01CY1FB11M1  
CAMERON IRON WORKS INC  
EXTRUDED PRODUCTS DIV  
KEN JURICA  
SALES MANAGER  
PO BOX 1212  
HOUSTON TX 77251

118915093373 1 1C01CY1FB11M1  
CAPITAL CONTROLS CO INC  
L M WILFORD  
3000 ADVANCE LANE  
PO BOX 211  
COLMAR PA 18915

143216091428 1 1C01CY1FB11M1  
CAPITOL MFG CO  
DIV OF HARVO COFF  
153 W FULTON  
COLUMBUS OH 43215

119004052967 1 1C01CY1FB11M1  
CAPITOL PIPE & STEEL CO  
SUE MACCART  
SUPERVISOR-QUALITY ASSURANCE  
301 CITY LINE AVE  
BALA CYNWYD PA 19004

195014103578 1 1C01CY1FB11M1  
CARGILL ENGINEERING  
ROBERT CARGILL  
PRESIDENT  
20294 GARDEN CREST CT  
CUPERTINO CA 95014

128461106185 1 1C01CY1FB11M1  
CAROLINA POWER & LIGHT CO  
EFC REFERENCE LIBRARY  
PO BOX 11050  
SOUTHPORT NC 28461

127562080545 1 1C01CY1FB11M1  
CAROLINA POWER & LIGHT CO  
HARRIS J NPS  
PLANT MANAGER  
NEW HILL NC 27562

127562080544 1 1C01CY1FB11M1  
CAROLINA POWER & LIGHT CO  
HARRIS J NPS  
PLANT MANAGER  
NEW HILL NC 27562

129550080516 1 1C01CY1FB11M1  
CAROLINA POWER & LIGHT CO  
ROBINSON 2 NPS  
PLANT MANAGER  
HARTSVILLE SC 29550

128461080891 1 1C01CY1FB11M1  
CAROLINA POWER & LIGHT CO  
BRUNSWICK STEAM ELEC PLANT  
C F DIETZ  
PLANT MANAGER  
PO BOX 10429  
SOUTHPORT NC 28461

129550080894 1 1C01CY1FB11M1  
CAROLINA POWER & LIGHT CO  
ROBINSON 2 NPS  
R E MORGAN  
PLANT GENERAL MANAGER  
PO BOX 790  
HARTSVILLE SC 29550

127562080899 1 1C01CY1FB11M1  
CAROLINA POWER & LIGHT CO  
HARRIS NPS  
R M FARSONS  
PROJECT GENERAL MANAGER  
BOX 101  
NEW HILL NC 27562

128461030566 1 1C01CY1FB11M1  
CAROLINA POWER & LIGHT CO  
BRUNSWICK STEAM ELECTRIC PLANT  
N V STEWART  
P O BOX 10429  
SOUTHPORT NC 28461

127602005449 3 1C01CY1FB11M1  
CAROLINA POWER & LIGHT CO  
POWER SUPPLY CONSTRUCT & ENGR  
E E UTLEY  
EXEC VICE PRESIDENT  
PO BOX 1551  
RALEIGH NC 27602

119603052968 1 1C01CY1FB11M1  
CARPENTER TECHNOLOGY CORP  
T A BALLETT  
GEN MGR NUCLEAR PRODUCTS  
101 WEST BERN STREET  
READING PA 19603

119063091429 1 1C01CY1FB11M1  
CARPENTER TECHNOLOGY CORP  
CARPENTER STEEL  
SAM TYSON  
GEN MANAGER QA  
101 WEST BERN ST  
READING PA 19063

152401104227 1 1C01CY1FB11M1  
CEDAR RAPIDS PUBLIC LIBRARY  
JANICE HORAK  
REFERENCE LIBRARIAN  
500 1ST ST SE  
CEDAR RAPIDS IA 52401

1ENGLA032235 1 1C01CY1FB11M1  
CENTRAL ELECTRIC GEN BOARD  
CENTRAL LIBRARY  
G G TERRY  
CHIEF LIBRARIAN  
1P WARWICK LANE  
LONDON EC4P 4EB COURTENAY HSE  
ENGLAND

104336103590 1 1C01CY1FB11M1  
CENTRAL MAINE POWER CO  
CHARLES E MONTY  
PRESIDENT  
EDISON DR  
AUGUSTA ME 04336

1SPAIN023959 1 1001CY1FB11M1  
CENTRAL NUCLEAR DE ALMARAZ  
JUAN P BLANCO  
PRINCESA 3  
MADRID - 8

SPAIN

1BELGI057562 1 1001CY1FB11M1  
CENTRE D'ETUDE DE L'ENER NUCL  
POWER PLANT BR 3  
FRANCOIS MOTTE  
ADMINISTRATOR  
BOERETANG 200  
B-2400 MOL

BELGIUM

1FRANCO03524 1 1001CY1FB11M1  
CENTRE D'ETUDES NUCLEAIRES  
DEPT DE SURETE NUCLEAIRE  
GABRIELLE KATZ  
ADMINISTRATOR  
BP NO 6 32.250  
FONTENAY AUX ROSES FRANCE

199114105862 1 1001CY1FB11M1  
CER CORP  
ELLA JACKSON  
LIBRARIAN  
PO BOX 15090  
LAS VEGAS NV 89114

105495103489 1 1001CY1FB11M1  
CHAMPLAIN CABLE CORP  
THOMAS F WILSON  
GA MANAGER  
HERCULES DR PO BOX 7  
WINOOSKI VT 05495

102199067190 1 1001CY1FB11M1  
CHARLES T MAIN INC  
THERMAL POWER DIVISION  
J H NOBLE  
PRUCENTIAL CENTER  
BOSTON MA 02199

125304063988 1 1001CY1FB11M1  
CHARLESTON AREA MEDICAL CENTER  
MEMORIAL DIV  
RUDGELY COVANT  
DIRECTOR OF NUC MEDICINE  
2000 MACCORALE AVE SE  
CHARLESTON WV 25304

137402103010 1 1001CY1FB11M1  
CHATTANOOGA PUBLIC LIBRARY  
BUSINESS SCIENCE & TECH DEPT  
PATRICIA MARONEY  
HEAD  
1001 BRGAS CT  
CHATTANOOGA TN 37402

129212091437 1 1001CY1FB11M1  
CHEM NUCLEAR SYSTEMS INC  
PO BOX 724  
BARNWELL SC 29212

129210074270 1 1001CY1FB11M1  
CHEM NUCLEAR SYSTEMS INC  
DOCUMENT CONTROL  
220 STONERIDGE DR  
COLUMBIA SC 29210

135201052971 1 1001CY1FB11M1  
CHICAGO BRIDGE & IRON CO  
WELDING & GA DEPT  
PO BOX 277  
OAK BROOK AL 35201

160521100783 1 1001CY1FB11M1  
CHICAGO BRIDGE & IRON CO  
NUCLEAR PROJECT SALES DEPT  
T F BASGEN  
800 JORIE BLVD  
OAK BROOK IL 60521

177240103320 1 1001CY1FB11M1  
CHICAGO BRIDGE & IRON CO  
RALPH E KELLEY  
DIRECTOR CGA  
PO BOX 40056  
HOUSTON TX 77240

160521091436 1 1001CY1FB11M1  
CHICAGO BRIDGE & IRON CO  
DONALD MOWRY  
GA DIRECTOR  
800 JORIE BLVD  
OAK BROOK IL 60521

120006092259 1 1001CY1FB11M1  
CHUBB ELECTRIC POWER CO INC  
900 17TH ST NW  
SUITE 714  
WASHINGTON DC 20005

145201079120 1 1001CY1FB11M1  
CINCINNATI GAS & ELECTRIC CO  
NUCLEAR SERVICES DEPT  
K K CHITKARA  
MANAGER  
PO BOX 960  
CINCINNATI OH 45201

145201105342 1 1001CY1FB11M1  
CINCINNATI GAS & ELECTRIC CO  
W H DICKHONER  
PRESIDENT  
P O BOX 960  
CINCINNATI OH 45201

145201103527 1 1001CY1FB11M1  
CINCINNATI GAS & ELECTRIC CO  
LICENSING  
GREGORY C FICKE  
ASSISTANT MANAGER  
PO BOX 960  
CINCINNATI OH 45201

145201082140 1 1001CY1FB11M1  
CINCINNATI GAS & ELECTRIC CO  
LEGAL DEPT  
JEROME A VENNEMANN  
PO BOX 960  
CINCINNATI OH 45201

119102100703 1 1001CY1FB11M1  
CITY OF PHILADELPHIA  
LEO A BROOKS  
MANAGING DIRECTOR  
1620 MUNICIPAL SERVICES BLDG  
PHILADELPHIA PA 19102

160099081553 1 1001CY1FB11M1  
CITY OF ZION  
ESGA  
CARL SARGENT  
COORDINATOR  
2828 SHERIDAN RD  
ZION IL 60099

145103103063 1 1001CY1FB11M1  
CLERMONT COUNTY LIBRARY  
VERA E EMAS  
PUBLIC SERVICES LIBRARIAN  
180 S 3RD ST  
BATAVIA OH 45103

144081080499 1 1C01CY1FB11M1  
CLEVELAND ELEC ILLUMINATING CO  
PERRY 1 NPS  
PLANT MANAGER  
PERRY OH 44061

144081080498 1 1C01CY1FB11M1  
CLEVELAND ELEC ILLUMINATING CO  
PERRY 2 NPS  
PLANT MANAGER  
PERRY OH 44081

144081081501 1 1C01CY1FB11M1  
CLEVELAND ELEC ILLUMINATING CO  
PERRY NPS  
L BECK  
SUPERVISOR-LICENSING & FUELS  
10 CENTER RD  
PERRY OH 44081

144101105343 1 1C01CY1FB11M1  
CLEVELAND ELEC ILLUMINATING CO  
NUCLEAR OPERATIONS GROUP  
MURRAY R ECELMAN  
VICE PRESIDENT  
P O BOX 5000  
CLEVELAND OH 44101

144081104155 1 1C01CY1FB11M1  
CLEVELAND ELEC ILLUMINATING CO  
PERRY NUCLEAR POWER PLANT  
ROBERT L VONCRASEN  
PC BOX 97  
E220  
PERRY OH 44081

144081082142 1 1C01CY1FB11M1  
CLEVELAND ELEC ILLUMINATING CO  
PERRY NPS  
J WALDRON  
PLANT MANAGER  
10 CENTER RD  
PERRY OH 44081

160559064455 1 1C01CY1FB11M1  
CLOW CORP  
ENGINEERED PRODUCTS  
M L CES-AGIRI  
QA MANAGER  
40 CHESTNUT AVE  
WESTMONT IL 60559

16RAZ1008064 1 1C01CY1FB11M1  
CANT  
INTERNATIONAL AFFAIRS OFFICE  
PAULO D PEREIRA  
ADMINISTRATOR  
RUA GENERAL SEVERIANO 90  
RIO DE JANEIRO 22294 BRAZIL

119608054636 1 1C01CY1FB11M1  
COALITION FOR NUC PWR PLT FOOT  
DONALD C FRISCO  
CHAIRPERSON  
2612 E FORTINO RD  
WILMINGTON DE 19809

1A0220004291 1 1C01CY1FB11M1  
COLORADO DEPT OF HEALTH  
RADIATION CONTROL DIV  
ALBERT J HAZLE  
DIRECTOR  
4210 EAST 11TH AVE  
DENVER CO 80220

153511051945 1 1C01CY1FB11M1  
COLT INDUSTRIES  
WESLEY A BRILL  
701 LAWTON AVE  
BELOIT WI 53511

153511052973 1 1C01CY1FB11M1  
COLT INDUSTRIES  
FAIRBANK MORSE ENGINE DIV  
EDWARD L FAY  
MANAGER-QA  
701 LAWTON AVENUE  
BELOIT WI 53511

130117051447 1 1C01CY1FB11M1  
COLT INDUSTRIES  
JACK L WEHRE  
QA MANAGER  
141 HAMMOND ST  
CARROLLTON GA 30117

106095038343 1 1C01CY1FB11M1  
COMBUSTION ENGINEERING INC  
PCB LIBRARY  
LIBRARIAN-REC DOCUMENTS  
1000 PROSPECT HILL RD  
6435-405  
WINDSOR CT 06095

106095106036 1 1C01CY1FB11M1  
COMBUSTION ENGINEERING INC  
NUCLEAR POWER SYSTEMS DIV  
FRANK BEVILACQUA  
V PFFS & CHIEF SCIENTIST  
1000 PROSPECT HILL RD  
WINDSOR CT 06095

120P14026566 1 1C01CY1FB11M1  
COMBUSTION ENGINEERING INC  
C-E POWER SYSTEMS  
CHARLES E BRINKMAN  
7910 WOODMONT AVE  
SUITE 1210  
BETHESDA MD 20814

130346105655 1 1C01CY1FB11M1  
COMBUSTION ENGINEERING INC  
SOUTHEAST REG NUCLEAR PROC  
L DONATELL  
MANAGER  
47 PERIMETER CENTER EAST  
ATLANTA GA 30346

130346105791 1 1C01CY1FB11M1  
COMBUSTION ENGINEERING INC  
LOREN DONATELL  
47 PERIMETER CENTER EAST  
SE REGIONAL NUC PRODUCTS MGR  
SUITE 300  
ATLANTA GA 30346

106095103680 1 1C01CY1FB11M1  
COMBUSTION ENGINEERING INC  
POWER SYSTEMS  
P A FERWERDA  
1000 PROSPECT HILL RD  
5372-1701  
WINDSOR CT 06095

106095100722 1 1C01CY1FB11M1  
COMBUSTION ENGINEERING INC  
NON METALLIC MATLS ENGR  
J S GLAZMAN  
1000 PROSPECT HILL RD  
9452-510  
WINDSOR CT 06095

137402093936 1 1C01CY1FB11M1  
COMBUSTION ENGINEERING INC  
NUCLEAR COMPONENTS  
W J HEILKER  
ANALYTICAL ENGINEERING  
911 WEST MAIN ST  
CHATTANOOGA TN 37402

106095091444 1 1C01CY1FB11M1  
COMBUSTION ENGINEERING INC  
CLIFF HOFFMAN  
QA DIRECTOR  
1000 PROSPECT HILL RD  
WINDSOR CT 06095

106055091445 1 1C01CYIFB11M1  
COMBUSTION ENGINEERING INC  
C-E POWER SYSTEMS  
G J HUBA  
1000 PROSPECT HILL DR  
94490-401  
WINDSOR CT 06095

120814090006 1 1C01CYIFB11M1  
COMBUSTION ENGINEERING INC  
ELEANOR WJELLER  
7910 WOODMONT AVE  
SUITE 131C  
BETHESDA MD 20814

106095100716 1 1C01CYIFB11M1  
COMBUSTION ENGINEERING INC  
DEPT 9485-2405  
VIRGIL A PAGGEN  
1000 PROSPECT HILL RD  
WINDSOR CT 06095

107801091445 1 1C01CYIFB11M1  
COMBUSTION ENGINEERING INC  
C-E WASHINGTON  
W E ROBERT  
1000 PROSPECT HILL RD  
WINDSOR CT 06095

106095100716 1 1C01CYIFB11M1  
COMBUSTION ENGINEERING INC  
C-E POWER SYSTEMS  
W A STONE  
1000 PROSPECT HILL RD BOX 500  
WINDSOR CT 06095

106095100716 1 1C01CYIFB11M1  
COMBUSTION ENGINEERING INC  
C-E WASHINGTON  
W E ROBERT  
1000 PROSPECT HILL RD  
WINDSOR CT 06095

1MEXICO066454 1 1C01CYIFB11M1  
COMMISSION NACIONAL SEGURIDAD  
NUCLEAR Y SALVAGUARDAS  
INOCENTES SUP NO 1508  
MEXICO DF 01000 MEXICO

148050091445 1 1C01CYIFB11M1  
COMMERCIAL UNION INSURANCE CO  
JOHN STEWART  
COMM MANAGER  
1815 W SOUTH ST  
LEBANON IL 44000

160407080555 1 1C01CYIFB11M1  
COMMONWEALTH EDISON CO  
BRADWOOD 1 NPS  
PLANT MANAGER  
BRACEVILLE IL 60407

161010080560 1 1C01CYIFB11M1  
COMMONWEALTH EDISON CO  
BYRON 1 NPS  
PLANT MANAGER  
4450 NORTH GERMAN CHURCH RD  
BYRON IL 61010

160450080557 1 1C01CYIFB11M1  
COMMONWEALTH EDISON CO  
DRESSER 1 NPS  
PLANT MANAGER  
RR #1  
MORRIS IL 60450

106095100726 1 1C01CYIFB11M1  
COMBUSTION ENGINEERING INC  
DEPT 9493-2322  
J C MOULTON  
1000 PROSPECT HILL RD  
PO BOX 500  
WINDSOR CT 06095

106095103016 1 1C01CYIFB11M1  
COMBUSTION ENGINEERING INC  
9341-988  
F M MURRAY  
1000 PROSPECT HILL RD  
WINDSOR CT 06095

106095103685 1 1C01CYIFB11M1  
COMBUSTION ENGINEERING INC  
MONIKA PFEIFFER  
1000 PROSPECT HILL RD  
9454 1202  
WINDSOR CT 06095

106095105344 1 1C01CYIFB11M1  
COMBUSTION ENGINEERING INC  
A E SCHERER  
DIRECTOR NUCLEAR LICENSING  
1000 PROSPECT HILL RD  
WINDSOR CT 06095

137402052975 1 1C01CYIFB11M1  
COMBUSTION ENGINEERING INC  
W A STONE  
QUALITY ENGG MANAGER  
911 W MAIN ST  
CHATTANOOGA TN 37402

1MEXICO066475 1 1C01CYIFB11M1  
COMISION FEDERAL ELECTRICIDAD  
APOO POSTAL NO 5-214  
MEXICO 5-00 MEXICO

1FRANCE0006953 1 1C01CYIFB11M1  
COMITE INTERMINISTERIEL DE  
LA SECURITE NUCLEAIRE  
BERNARD AUGUSTIN  
ADMINISTRATOR  
54 RUE DE VARENNE  
75700 PARIS FRANCE

102105066521 1 1C01CYIFB11M1  
COMMERCIAL UNION INSURANCE CO  
RISK CONTROL TECH RESOURCE CTR  
ONE REACON ST  
BOSTON MA 02108

160407080556 1 1C01CYIFB11M1  
COMMONWEALTH EDISON CO  
BRADWOOD 2 NPS  
PLANT MANAGER  
BRACEVILLE IL 60407

161010080561 1 1C01CYIFB11M1  
COMMONWEALTH EDISON CO  
BYRON 2 NPS  
PLANT MANAGER  
4450 NORTH GERMAN CHURCH RD  
BYRON IL 61010

160450080555 1 1C01CYIFB11M1  
COMMONWEALTH EDISON CO  
DRESSER 2 NPS  
PLANT MANAGER  
RR #1  
MORRIS IL 60450

160450080534 1 IC01CYIFB11M1  
COMMONWEALTH EDISON CO  
ERSENEN 3 NPS  
PLANT MANAGER  
RR #1  
MORRIS IL 60450

161341080478 1 IC01CYIFB11M1  
COMMONWEALTH EDISON CO  
LASALLE 1 NPS  
PLANT MANAGER  
MARSEILLES IL 61341

161341080477 1 IC01CYIFB11M1  
COMMONWEALTH EDISON CO  
LASALLE 2 NPS  
PLANT MANAGER  
MARSEILLES IL 61341

160690064240 1 IC01CYIFB11M1  
COMMONWEALTH EDISON CO  
NUCLEAR SECURITY ADMIN OFFICE  
NUCLEAR SECURITY DIRECTOR  
72 W ADAMS PO BOX 767  
RM 1248  
CHICAGO IL 60690

161242080506 1 IC01CYIFB11M1  
COMMONWEALTH EDISON CO  
GUARD CITIES 1 NPS  
PLANT MANAGER  
CORFOVA IL 61242

161242080505 1 IC01CYIFB11M1  
COMMONWEALTH EDISON CO  
GUARD CITIES 2 NPS  
PLANT MANAGER  
CORFOVA IL 61242

160099080577 1 IC01CYIFB11M1  
COMMONWEALTH EDISON CO  
ZION 1 NPS  
PLANT MANAGER  
ZION IL 60099

160099080578 1 IC01CYIFB11M1  
COMMONWEALTH EDISON CO  
ZION 2 NPS  
PLANT MANAGER  
ZION IL 60099

161341081556 1 IC01CYIFB11M1  
COMMONWEALTH EDISON CO  
LA SALLE COUNTY STATION  
G J BRESLER  
SUPERINTENDENT  
RR #1 BOX 104  
MARSEILLES IL 61341

160690055268 1 IC01CYIFB11M1  
COMMONWEALTH EDISON CO  
DENNIS L FARRAR  
DIRECTOR OF NUCLEAR LICENSING  
PO BOX 767  
CHICAGO IL 60690

160099078196 1 IC01CYIFB11M1  
COMMONWEALTH EDISON CO  
M L GRADNER  
STATION SUPERINTENDENT  
SHILOH BLVD & LAKE MICHIGAN  
ZION IL 60099

160407093776 1 IC01CYIFB11M1  
COMMONWEALTH EDISON CO  
J F GUDAC  
STATION SUPERINTENDENT  
RR #1 PO BOX 81  
BRACEVILLE IL 60407

161341081180 1 IC01CYIFB11M1  
COMMONWEALTH EDISON CO  
M J KELLY  
REGIOINAL USER  
33710 STATE AVE NORTH  
CORFOVA IL 61242

161341081167 1 IC01CYIFB11M1  
COMMONWEALTH EDISON CO  
LASALLE COUNTY STATION  
T E SUPAK  
GA SUPERINTENDENT  
2601 N 21ST ROAD  
MARSEILLES IL 61341

161010057460 1 IC01CYIFB11M1  
COMMONWEALTH EDISON CO  
BYRON STATION  
R F GUSTAFSON  
STATION SUPERINTENDENT  
4450 N GERMAN CHURCH RD  
BYRON IL 61010

160690035579 1 IC01CYIFB11M1  
COMMONWEALTH EDISON CO  
CORDELL REED  
VICE PRESIDENT  
PO BOX 767  
CHICAGO IL 60690

161010101415 1 IC01CYIFB11M1  
COMMONWEALTH EDISON CO  
BYRON NUCLEAR POWER STATION  
V I SCHLOSSER  
PROJECT MANAGER  
4450 N GERMAN CHURCH RD  
BYRON IL 61010

161010103288 1 IC01CYIFB11M1  
COMMONWEALTH EDISON CO  
GUNNER SCRENGER  
SITE PROJECT SUPERINTENDENT  
PO BOX B  
BYRON IL 61010

160099064689 1 IC01CYIFB11M1  
COMMONWEALTH EDISON CO  
ZION GEN STATION  
W STONE  
STAFF ASST  
SHILOH BLVD & LAKE MICHIGAN  
ZION IL 60099

1FELG1063097 1 IC01CYIFB11M1  
COMPRING BELGIE NV  
G DE WILDE  
GEN ENG MANAGER  
NOORDERLAAN 139  
2030 ANTWERPEN BELGIUM

194705066574 1 IC01CYIFB11M1  
COMPUTECH ENGINEERING SVCS INC  
LINDSAY R JONES  
PRESIDENT  
2855 TELEGRAPH AVE  
SUITE 410  
BERKELEY CA 94705

107036091451 1 IC01CYIFB11M1  
CONSIP INC  
CUSTOMLINE DIVISION  
COLE M FERDINAND  
CORP GA MANAGER  
1418 E LINDEN AVE  
LINDEN NJ 07036



190601091450 1 1C01CY1FB11M1  
COMSIP INC  
DELPHI SYSTEMS DIV  
SID LOHMEYER  
PRODUCT MANAGER  
3030 RED HAT LA  
WHITTIER CA 90601

177074080127 1 1C01CY1FB11M1  
CONAM INSPECTION  
OTIS GAMBLE  
RADIATION SAFETY OFFICER  
6106 ROCKIN ST  
HOUSTON TX 77070

114225091454 1 1C01CY1FB11M1  
CONAM BUFFALO CORP  
P E FARCHER  
QA MANAGER  
2300 WALDEN AVE  
BUFFALO NY 14225

100601105087 1 1C01CY1FB11M1  
CONNECTICUT YALDES ATOM PWR CO  
CHARLES W HARRIS  
EXECUTIVE ASSISTANT  
711 ROUTE 1  
HARTFORD CT 06101

100601105087 1 1C01CY1FB11M1  
CONNECTICUT YALDES ATOM PWR CO  
PO BOX 1270  
HARTFORD CT 06101

100601105087 1 1C01CY1FB11M1  
CONNECTICUT YALDES ATOM PWR CO  
PO BOX 1270  
HARTFORD CT 06101

100601105087 1 1C01CY1FB11M1  
CONNECTICUT YALDES ATOM PWR CO  
PO BOX 1270  
HARTFORD CT 06101

100601105087 1 1C01CY1FB11M1  
CONNECTICUT YALDES ATOM PWR CO  
PO BOX 1270  
HARTFORD CT 06101

100601105087 1 1C01CY1FB11M1  
CONSOLIDATED EDISON CO OF NY  
PLANT 2  
GARY L SCHOENBAUM  
MANAGER-I & C  
15 DUPANT AVE  
BETHEL CT 06801

110511080700 1 1C01CY1FB11M1  
CONSOLIDATED EDISON CO OF NY  
INDIAN POINT NPS  
EUGENE IMPINAC  
SR RADIATION PROT INSTRUCTOR  
BROADWAY & BLEAKELY AVES  
BUCHANAN NY 10511

110003004955 1 1C01CY1FB11M1  
CONSOLIDATED EDISON CO OF NY  
NUCLEAR ENGINEERING  
JOHN D OTOOLE  
VICE PRESIDENT  
4 IRVING PLACE  
NEW YORK NY 10003

115222057893 1 1C01CY1FB11M1  
COMSTOCK ENGINEERING INC  
EASTERN REGION  
JAMES W DELL  
MANAGER-BUSINESS DEVELOPMENT  
912 FORT JUDUESSE BLVD  
PITTSBURGH PA 15022

160103091452 1 1C01CY1FB11M1  
CONAM INTERNATIONAL  
INSPECTION DIV  
ROYD CREECH  
PRESIDENT  
1245 W NORWOOD AVE  
ITASCA IL 60143

114225024720 1 1C01CY1FB11M1  
CONAM CORP  
NUCLEAR PRODUCTS DIVISION  
W J FEDERICK  
DIVISION MANAGER  
2300 WALDEN AVE  
BUFFALO NY 14225

105106067140 1 1C01CY1FB11M1  
CONNECTICUT OEC POLICY & MGMT  
ENERGY DIVISION  
BRAD FORD  
CHIEF OF BUREAU  
100 WASHINGTON STREET  
HARTFORD CT 06106

100601105087 1 1C01CY1FB11M1  
CONNECTICUT YALDES ATOM PWR CO  
PO BOX 1270  
HARTFORD CT 06101

100601105087 1 1C01CY1FB11M1  
CONNECTICUT YALDES ATOM PWR CO  
NUCLEAR ENGINEERING & OPER  
JOHN F OBER  
CHIEF OF VICE PRESIDENT  
PO BOX 1270  
HARTFORD CT 06101

100601105087 1 1C01CY1FB11M1  
CONNECTICUT YALDES ATOM PWR CO  
NUCLEAR ENGINEERING & OPER  
JOHN F OBER  
CHIEF OF VICE PRESIDENT  
PO BOX 1270  
HARTFORD CT 06101

100601105087 1 1C01CY1FB11M1  
CONSOLIDATED EDISON CO OF NY  
FRANK BUTLER  
COMM N CO ENGINEER  
15 DUPANT AVE  
BETHEL CT 06801

110511079110 1 1C01CY1FB11M1  
CONSOLIDATED EDISON CO OF NY  
INDIAN POINT NPS  
MICHAEL SLATT  
DIRECTOR-REGULATORY AFFAIRS  
BROADWAY & BLEAKELY AVE  
BUCHANAN NY 10511

110003003020 1 1C01CY1FB11M1  
CONSOLIDATED EDISON CO OF NY  
JOHN D OTOOLE  
VICE PRESIDENT  
4 IRVING PLACE  
NEW YORK NY 10003

148640080481 1 1C01CY1FB11M1  
CONSUMERS POWER CO  
MIDLAND 1 NPS  
PLANT MANAGER  
MIDLAND MI 48640

148641105785 1 1001CY1FB11M1  
CONSUMERS POWER CO  
MIDLAND 2 NPS  
PLANT MANAGER  
P O BOX 1593  
MIDLAND MI 48641

149043080491 1 1001CY1FB11M1  
CONSUMER POWER CO  
PALISADES NPS  
PLANT MANAGER  
COVERT MI 49043

149201005712 1 1001CY1FB11M1  
CONSUMERS POWER CO  
PARNALL TECHNICAL LIBRARY  
LIBRARIAN  
1945 W PARNALL RD  
P11-052  
JACKSON MI 49201

249201005497 1 1001CY1FB11M1  
CONSUMERS POWER CO  
KENNETH W BERRY  
DIRECTOR NUCLEAR LICENSING  
1945 W PARNALL RD  
JACKSON MI 49201

149201057077 1 1001CY1FB11M1  
CONSUMERS POWER CO  
A J BIRKLE  
1945 W PARNALL ROAD  
JACKSON MI 49201

148640066519 1 1001CY1FB11M1  
CONSUMERS POWER CO  
NUCLEAR TRAINING CENTER  
RICHARD W BUCKNER  
OPERATIONS SUPERVISORY INSTP  
3249 E GORDONVILLE RD  
MIDLAND MI 48640

149201058220 1 1001CY1FB11M1  
CONSUMERS POWER CO  
J W COOK  
VICE PRESIDENT  
1945 W PARNALL RD  
JACKSON MI 49201

149720031510 1 1001CY1FB11M1  
CONSUMERS POWER CO  
BIG ROCK POINT NPS  
DAVID HOFFMAN  
PLANT SUPERINTENDENT  
RTE 3 PO BOX 591  
CHARLEVOIX MI 49720

149201003026 1 1001CY1FB11M1  
CONSUMERS POWER CO  
DAVID J VANCEWALLE  
NUCLEAR LICENSING DIRECTOR  
1945 WEST PARNALL ROAD  
JACKSON MI 49201

149201105346 1 1001CY1FB11M1  
CONSUMERS POWER CO  
NUCLEAR LICENSING  
DAVID J VANCEWALLE  
DIRECTOR  
1945 WEST PARNALL ROAD  
JACKSON MI 49201

190714052934 1 1001CY1FB11M1  
CONTROL COMPONENTS INC  
2567 SE MAIN ST  
IRVINE CA 92714

190714051456 1 1001CY1FB11M1  
CONTROL COMPONENTS INC  
ROBERT TOPPING  
CA DIRECTOR  
E 2567 SE MAIN ST  
IRVINE CA 92714

155440103246 1 1001CY1FB11M1  
CONTROL DATA CORP  
JAMES G WEEHAN  
PIPING PRODUCT MANAGER  
8100 14TH AVE S PO BOX 0  
SIE FLOWERS  
MINNEAPOLIS MI 48440

150440091457 1 1001CY1FB11M1  
CONTROL DATA CORP  
BLAINE PATRICK  
QA MANAGER  
PO BOX 0  
HOSCOUF  
MINNEAPOLIS MI 55440

120850079282 1 1001CY1FB11M1  
CONTROL DATA CORP  
UTILITY ASSOCIATES INTL  
R C SCHIFFER  
QUALITY ASSURANCE MANAGER  
5007 EXECUTIVE BLVD  
ROCKVILLE MD 20852

106108052975 1 1001CY1FB11M1  
CONTROMATICS  
NEAL PANCIERA  
QUALITY ASSURANCE MANAGER  
222 ROBERTS ST  
EAST HARTFORD CT 06108

116117052980 1 1001CY1FB11M1  
COOPER ENERGY SERVICES  
C-F RECIPROCATING  
W J HELMICH  
MANAGER  
LINCOLN AVE  
GROVE CITY PA 16127

116127092071 1 1001CY1FB11M1  
COOPER INDUSTRIES INC  
COOPER-RESSEMER RECIPROCATING  
W H A LAMBERT  
MANAGER-QUALITY CONTROL  
150 LINCOLN AVE  
GROVE CITY PA 16127

143050052981 1 1001CY1FB11M1  
COOPER INDUSTRIES INC  
COOPER ENERGY SERVICES  
G W WIZER  
TECH SERV AND QA MANAGER  
NORTH SANDUSKY STREET  
MT VERNON OH 43080

116423091461 1 1001CY1FB11M1  
COPEL VULCAN  
DALE PAYS  
QC MANAGER  
MARTIN & RICE AVE  
LAKE CITY PA 16423

116423052982 1 1001CY1FB11M1  
COPEL VULCAN  
C J QUIRY  
ADV MANAGER  
POST OFFICE BOX 577  
LAKE CITY PA 16423

102910052983 1 1001CY1FB11M1  
CORNER & LADA CO INC  
W T ALLEN  
QUALITY ASSURANCE MNGR  
1341 ELMWOOD AVENUE  
CRANSTON RI 02910

127709103840 1 1C01CY1FB11M1  
CORPORATE CONSULTING & DEV CO  
CARSON PLANTON  
QA MANAGER  
PO BOX 12728  
RESEARCH TRIANGLE PK NC 27709

127709092824 1 1C01CY1FB11M1  
CORPORATE CONSULTING & DEV CO  
JEFFREY H BOND  
PRINCIPAL ENGINEER  
PO BOX 12728  
RESEARCH TRIANGLE PK NC 27709

107094037904 1 1C01CY1FB11M1  
COURTNER & CO INC  
QUALITY ASSURANCE  
DENNIS H CAMPOCHIARO  
300 HARMON MEADOW BLVD  
PO 1569  
SECAUCUS NJ 07094

160188103059 1 1C01CY1FB11M1  
CRANE CO  
DIRECTOR OF ENGINEERING  
475 N GARY AVE  
CAROL STREAM IL 60188

163104052965 1 1C01CY1FB11M1  
CRANE CO  
D F BETZ  
QA MANAGER  
1450 SOUTH SECOND STREET  
ST LOUIS MO 63104

102093091466 1 1C01CY1FB11M1  
CROSBY VALVE & GAGE CO  
JOSEPH GREENE  
QA MANAGER  
43 KENDRICK ST  
WRENTHAM MA 02093

102093052986 1 1C01CY1FB11M1  
CROSBY VALVE & GAGE CO  
W D GREENGLAW  
43 KENDRICK ST  
WRENTHAM MA 02093

119468056822 1 1C01CY1FB11M1  
CROUSE NUCLEAR ENERGY SERVICES  
J T STEINMETZ  
UPPER LEWIS ROAD  
LINFIELD PA 19468

12FINLAC644952 1 1C01CY1FB11M1  
CST FOR PROD & MOC COFF  
DEPT OF NUCLEAR SAFETY  
EUROLA TAPPIO  
ADMINISTRATOR  
PO BOX 248  
SF-00101 HELSINKI 10 FINLAND

132629104223 1 1C01CY1FB11M1  
CRYSTAL RIVER PUBLIC LIBRARY  
CHERYL P GARDIEFF  
LIBRARIAN  
668 NW FIRST AVE  
CRYSTAL RIVER FL 32629

184111055551 1 1C01CY1FB11M1  
CYGNA ENERGY SERVICES  
TECHNICAL LIBRARY SERVICES  
101 CALIFORNIA ST  
SUITE 1000  
SAN FRANCISCO CA 94111

189352066212 1 1C01CY1FB11M1  
CYGNA ENERGY SERVICES  
BRUCE M BOYUM  
BRANCH OFFICE MANAGER  
2952 GEORGE WASHINGTON WAY  
RICHLAND WA 99352

1022100666214 1 1C01CY1FB11M1  
CYGNA ENERGY SERVICES  
GEORGE D BRADSHAW  
LICENSING ENGINEER  
266 CONGRESS ST  
7TH FL  
ROCKY MA 02210

103674091470 1 1C01CY1FB11M1  
D G O'BRIEN INC  
WALTER E CLEMENTS  
QA MANAGER  
ONE CHASE PARK  
PO BOX 159  
SEABROOK NH 03674

103674052989 1 1C01CY1FB11M1  
D G O'BRIEN INC  
D G O'BRIEN  
PRESIDENT  
ONE CHASE PARK  
SEABROOK NH 03674

154601105347 1 1C01CY1FB11M1  
DAIRYLAND POWER COOPERATIVE  
GENERAL MANAGER  
2615 EAST AVENUE SOUTH  
LA CROSSE WI 54601

154632060467 1 1C01CY1FB11M1  
DAIRYLAND POWER COOPERATIVE  
LACROSSE NPS  
JOHN PARKYN  
PLANT MANAGER  
PO BOX 275  
GENOA WI 54632

154601104167 1 1C01CY1FB11M1  
DAIRYLAND POWER COOPERATIVE  
POWER GROUP  
JIM TAYLOR  
ASST GENERAL MANAGER  
2615 EAST AVE S  
LACROSSE WI 54601

129602091472 1 1C01CY1FB11M1  
DANIEL CONSTRUCTION CO  
LAWRENCE MCGRIFF  
QA MANAGER  
DANIEL BLDG  
GREENVILLE SC 29602

129602093002 1 1C01CY1FB11M1  
DANIEL INTERNATIONAL CORP  
TECHNICAL SERVICES DIV  
JOHN P MADISON  
DANIEL BLDG  
DC 03  
GREENVILLE SC 29602

122170091783 1 1C01CY1FB11M1  
DARRELL BEVIS ASSOCIATES INC  
311 HICKORY LA RTE 2  
BOX 311  
STERLING VA 22170

129405051944 1 1C01CY1FB11M1  
DATOMATION INC  
NEG JOHNSON  
PO BOX 71108  
CHARLESTON SC 29405

194621091473 1 1C01CY1FB11M1  
DE LAVAL TURBINE INC  
ENGINE & COMPRESSOR DIV  
BRUCE C GUNTRUM  
GA MANAGER  
550 85TH AVE  
OAKLAND CA 94621

119903036537 1 1C01CY1FB11M1  
DELAWARE DEPT OF NATL RESOURCE  
WATER RESOURCE  
HARRY OTTC  
89 KINGS HWY  
POB 1401  
DOVER DE 19903

120006103081 1 1C01CY1FB11M1  
DELIAH CORP  
ROGER HUSTON  
1901 PENNSYLVANIA AVE NW  
SUITE 1000  
WASHINGTON DC 20006

119899003040 1 1C01CY1FB11M1  
JELMARVA POWER & LIGHT CO  
F A COOK  
800 KING ST  
WILMINGTON DE 19899

1466P011714 1 1C01CY1FB11M1  
DER BUNDESMINISTER DES INNERN  
DIV RS I 3  
BERG KARL-HEINZ  
ADMINISTRATOR  
POSTFACH 170 290  
D-5300 BONN 1 WGERMANY

148166080532 1 1C01CY1FB11M1  
DETROIT EDISON CO  
ENRICO FERMI 2 APS  
PLANT MANAGER  
6450 NORTH DIXIE HIGHWAY  
NEWPORT MI 48166

148166101354 1 1C01CY1FB11M1  
DETROIT EDISON CO  
NOC INFORMATION CENTER  
6400 N DIXIE HWY  
104EF2 NOC  
NEWPORT MI 48166

148166101365 1 1C01CY1FB11M1  
DETROIT EDISON CO  
PRODUCTION INFO CENTER  
6400 N DIXIE HWY  
104EF2 OSR  
NEWPORT MI 48166

148166081083 1 1C01CY1FB11M1  
DETROIT EDISON CO  
NUCLEAR OPERATIONS TRAINING  
LARRY BAUMGART  
SR NUCLEAR TRAINING SPECIALIST  
6400 N DIXIE HWY  
NEWPORT MI 48166

148166103679 1 1C01CY1FB11M1  
DETROIT EDISON CO  
NUCLEAR OPERATIONS  
HANS EBNER  
6400 N DIXIE HWY  
130 NOC  
NEWPORT MI 48166

148166103375 1 1C01CY1FB11M1  
DETROIT EDISON CO  
NUCLEAR OPERATIONS  
WAYNE H JUNG  
VICE PRESIDENT  
6400 N DIXIE HWY  
NEWPORT MI 48166

148166103191 1 1C01CY1FB11M1  
DETROIT EDISON CO  
326 NOC  
RICHARD G PATEICK  
OPERATING EXPER REVIEW COORD  
6400 N DIXIE HWY  
NEWPORT MI 48166

143130091475 1 1C01CY1FB11M1  
DIAMOND POWER SPECIALTY CORP  
PETER SCHLEFETH  
GA MANAGER  
2800 E MAIN PIKE  
LANCASTER OH 43130

115236094197 1 1C01CY1FB11M1  
DICK CORP  
J A LONG  
DIRECTOR-QUALITY ASSURANCE  
PO BOX 10896  
PITTSBURGH PA 15236

135806105946 1 1C01CY1FB11M1  
DIGITAL ENGINEERING  
TOM HANCOCK  
6767 MADISON PIKE NW STE 135  
HUNTSVILLE AL 35806

135806106016 1 1C01CY1FB11M1  
DIGITAL ENGINEERING  
PAUL J MANN  
PROJECT ENGINEER  
6767 MADISON PIKE NW STE 135  
HUNTSVILLE AL 35806

102130021605 1 1C01CY1FB11M1  
DIS/ADLPIPE INC  
WALLACE B WRIGHT  
55 WHEELER ST  
CAMBRIDGE MA 02138

190089106023 1 1C01CY1FB11M1  
DOHENY SYSTEMS DESIGN ADFG  
STEPHEN J GILHEANY  
3550 TROUSDALE PARKWAY  
LOS ANGELES CA 90089

122101065227 1 1C01CY1FB11M1  
DOMINION ENGINEERING INC  
M J PARTRIDGE  
6862 ELM STREET  
MCLEAN VA 22101

149106105062 1 1C01CY1FB11M1  
DONALD C COOK NUCLEAR PLANT  
W G SMITH JR  
PLANT MANAGER  
P O BOX 458  
BRIDGMAN MI 49106

120006009672 1 1C01CY1FB11M1  
DOUB & MUNTZING  
JOSEPH CHIVERS  
1875 EYE ST NW  
SUITE 775  
WASHINGTON DC 20006

120006092868 1 1C01CY1FB11M1  
DOUB & MUNTZING  
SOUTHERN STATES ENERGY BOARD  
WILLIAM O DOUB  
FEDERAL REPRESENTATIVE  
1875 EYE ST NW  
WASHINGTON DC 20006

148640100777 1 1C01CY1FB11M1  
DOW CHEMICAL CO  
DOW TRIGA RESEARCH REACTOR  
REACTOR SUPERVISOR  
1602 BUILDING  
MIDLAND MI 48640

148640100778 1 1C01CY1FP11M1  
DOW CHEMICAL CO  
INDUSTRIAL HYGIENE LABORATORY  
RADIATION SAFETY OFFICER  
1803 BUILDING  
MIDLAND MI 48640

148640062969 1 1C01CY1FB11M1  
DOW CHEMICAL CO  
RESEARCH CENTER  
H & E S/IH  
DOW TRIGA REACTOR  
MIDLAND MI 48640

190650052991 1 1C01CY1FB11M1  
DRAGON VALVES INC  
ROBERT E BOND  
VICE PRESIDENT  
PO BOX 489  
NORWALK CA 90650

190651103537 1 1C01CY1FB11M1  
DRAGON VALVES INC  
KEN D HAGGARD  
QA MANAGER  
13457 EXCELSIOR DR  
NORWALK CA 90651

145750091477 1 1C01CY1FB11M1  
DRAVO CORP  
PIPE FABRICATION DIV  
W A HOLVIE  
QA MANAGER  
1115 GILMAN AVE  
MARIETTA OH 45750

145750052992 1 1C01CY1FB11M1  
DRAVO CORP  
PFD  
EDWIN S BEND  
QA MANAGER  
1115 GILMAN AVENUE  
MARIETTA OH 45750

190255091622 1 1C01CY1FB11M1  
DRESSER INDUSTRIES INC  
PACIFIC PUMPS DIV  
D J MOYER  
QA MANAGER  
5715 RICKETT ST  
HUNTINGTON PARK CA 90255

128382104494 1 1C01CY1FB11M1  
ROSEBRO STEEL INC  
JAMES BAILEY  
QA MANAGER  
PO BOX 1098  
ROSEBRO NC 28382

129679093903 4 1C01CY1FB11M1  
DUKE POWER CO  
OCONEE NUCLEAR STATION  
COMPLIANCE ENGINEER  
PO BOX 1439  
SENECA SC 29679

129679104335 1 1C01CY1FB11M1  
DUKE POWER CO  
OCONEE TRAINING CENTER  
PO BOX 1439  
SENECA SC 29679

129679103019 1 1C01CY1FB11M1  
DUKE POWER CO  
OCONEE 1 NPS  
PLANT MANAGER  
SENECA SC 29679

129679103021 1 1C01CY1FB11M1  
DUKE POWER CO  
OCONEE 2 NPS  
PLANT MANAGER  
SENECA SC 29679

129679103023 1 1C01CY1FB11M1  
DUKE POWER CO  
OCONEE 3 NPS  
PLANT MANAGER  
SENECA SC 29679

129710080556 1 1C01CY1FB11M1  
DUKE POWER CO  
CATAWBA CONSTRUCTION  
E M COUCH  
PROJECT ADMINISTRATION  
PO BOX 223  
CLOVER SC 29710

129710080555 1 1C01CY1FB11M1  
DUKE POWER CO  
CATAWBA 1 NPS  
J W HAMPTON  
STATION MANAGER  
PO BOX 256  
CLOVER SC 29710

128242006327 1 1C01CY1FB11M1  
DUKE POWER CO  
SSD-NORTH MCGUIRE  
A R HOLLINS  
DIVISION MANAGER  
PO BOX 33189  
CHARLOTTE NC 28242

128031080896 2 1C01CY1FB11M1  
DUKE POWER CO  
MCGUIRE NPS  
M D MCINTOSH  
PLANT MANAGER  
PO BOX 488  
CORNELIUS NC 28031

128242103435 1 1C01CY1FB11M1  
DUKE POWER CO  
CHEROKEE NUCLEAR STATION  
C H RICHARDS  
CRAFT SUPERINTENDENT  
SSD NORTH PO BOX 33189  
CHARLOTTE NC 28242

128242081247 1 1C01CY1FB11M1  
DUKE POWER CO  
NUCLEAR PRODUCTION DEPT  
H B TUCKER  
VICE PRESIDENT  
PO BOX 33189  
CHARLOTTE NC 28242

128242105348 1 1C01CY1FB11M1  
DUKE POWER CO  
NUCLEAR PRODUCTION DEPT  
HAL B TUCKER JR  
VICE PRESIDENT  
P O BOX 33189  
CHARLOTTE NC 28242

115077080571 1 1C01CY1FB11M1  
DUGUESNE LIGHT CO  
BEAVER VALLEY 1 NPS  
PLANT MANAGER  
PO BOX 4  
SHIPPINGPORT PA 15077

115077080572 1 1C01CY1FB11M1  
DUQUESNE LIGHT CO  
BEAVER VALLEY 2 NPS  
PLANT MANAGER  
PO BOX 4  
SHIPPINGPORT PA 15077

115077103663 1 1C01CY1FB11M1  
DUQUESNE LIGHT CO  
H R CALDWELL  
I & C SUPERVISOR  
PO BOX 4  
SHIPPINGPORT PA 15077

115205079460 1 1C01CY1FB11M1  
DUQUESNE LIGHT CO  
JOHN J CAREY  
VICE PRESIDENT-NUCLEAR  
RTE 60 ROBINSON PLAZA BLDG-2  
SUITE 110  
PITTSBURGH PA 15205

115077079396 1 1C01CY1FB11M1  
DUQUESNE LIGHT CO  
NUCLEAR GROUP  
C E EWING  
PO BOX 184  
BV-GA  
SHIPPINGPORT PA 15077

115077103662 1 1C01CY1FB11M1  
DUQUESNE LIGHT CO  
R L HANSEN  
MAINTENANCE SUPERINTENDENT  
PO BOX 4  
SHIPPINGPORT PA 15077

115205079395 1 1C01CY1FB11M1  
DUQUESNE LIGHT CO  
E F KURTZ  
MANAGER-REGULATORY AFFAIRS  
RTE 60 ROBINSON PLAZA BLDG-2  
SUITE 210  
PITTSBURGH PA 15205

115077080919 1 1C01CY1FB11M1  
DUQUESNE LIGHT CO  
W S LACEY  
PLANT MANAGER  
PO BOX 4  
SHIPPINGPORT PA 15077

115077103194 1 1C01CY1FB11M1  
DUQUESNE LIGHT CO  
R M MAFRICE  
DIRECTOR-GENL ENGR  
PO BOX 321  
SHIPPINGPORT PA 15077

115205104866 1 1C01CY1FB11M1  
DUQUESNE LIGHT CO  
BEAVER VALLEY 2 PROJECT  
ROGER E MARTIN  
FA ROUTE 60 ROBINSON BLDG#1  
SUITE 110  
PITTSBURGH PA 15205

115077103661 1 1C01CY1FB11M1  
DUQUESNE LIGHT CO  
L G SCHAD  
NUCL OPERATIONS SUPERINTENDENT  
PO BOX 4  
SHIPPINGPORT PA 15077

115077079147 1 1C01CY1FB11M1  
DUQUESNE LIGHT CO  
NUCLEAR SERVICES UNIT  
J D SIEBER  
PO BOX 4  
BU-2  
SHIPPINGPORT PA 15077

115077062825 1 1C01CY1FB11M1  
DUQUESNE LIGHT CO  
BEAVER VALLEY NPS UNIT 2  
W E STRAYHORN  
PO BOX 4  
BV-C  
SHIPPINGPORT PA 15077

115077079148 1 1C01CY1FB11M1  
DUQUESNE LIGHT CO  
NUCLEAR ENGR & CONSTR UNIT  
M F TOFFI  
GENERAL MANAGER-NECU  
PO BOX 321  
SHIPPINGPORT PA 15077

101852063071 1 1C01CY1FB11M1  
E I DUFONT  
NEW PRODUCTS  
KERRY BENNETT  
331 TREBLE COVE RD  
N BILLERICA MA 01862

143207103630 1 1C01CY1FB11M1  
E L MANUFACTURING PEERLES INC  
RICHARD A PERRY  
PRESIDENT  
249 FORNOFF RD  
COLUMBUS OH 43207

108903057904 1 1C01CY1FB11M1  
E R SQUIBB & SONS INC  
CHARLES F BOYLE  
GEORGES ROAD  
NEW BRUNSWICK NJ 08903

184119053002 1 1C01CY1FB11M1  
E SYSTEMS INC  
MONTEK DIV  
J LYNCH  
QA MGR  
2268 SOUTH 3270 WEST  
SALT LAKE CITY UT 84119

111704091483 1 1C01CY1FB11M1  
EAST-WEST TECHNOLOGY CORP  
A G DAVIS  
PRESIDENT  
119 CARCT ST  
W BABYLON NY 11704

144202091484 1 1C01CY1FB11M1  
EATON CORP  
INDUSTRIAL POLYMER PRODS DIV  
KENNETH L BRENIS  
QA MANAGER  
1195 S CHILLICOTHE RD  
AURORA OH 44202

110048026636 1 1C01CY1FB11M1  
EPASCO SERVICES INC  
CORPORATE LIBRARY  
LIBRARY ASSISTANT  
2 WORLD TRADE CENTER  
92N FL  
NEW YORK NY 10048

110048105921 1 1C01CY1FB11M1  
EPASCO SERVICES INC  
JACK BRODSKY  
SUPERVISING MAIL ENGINEER  
2 WORLD TRADE CTR  
NEW YORK NY 10048

130092038060 1 1C01CY1FB11M1  
EPASCO SERVICES INC  
PIPE STRESS ANALYSIS  
R H DIETZ  
SUPERVISING ENGINEER  
145 TECHNOLOGY PARK  
NORCROS GA 30092

111375000979 1 1C01CY1FB11M1  
EBASCO SERVICES INC  
MECHANICAL DEVELOPMENT  
IVAN GROSZ  
110-34 73RD RD  
FOREST HILLS NY 11375

110048093236 1 1C01CY1FB11M1  
EBASCO SERVICES INC  
R C IOTTI  
VICE PRESIDENT  
2 WORLD TRADE CENTER  
NEW YORK NY 10048

110048065530 1 1C01CY1FB11M1  
EBASCO SERVICES INC  
DIONE KROBETZKY  
TWO WORLD TRADE CENTER  
88TH FL  
NEW YORK NY 10048

110048091486 1 1C01CY1FB11M1  
EBASCO SERVICES INC  
B R MAZO  
DIRECTOR-QUALITY ASSURANCE  
2 WORLD TRADE CENTER  
NEW YORK NY 10048

130092025013 1 1C01CY1FB11M1  
EBASCO SERVICES INC  
JAMES C O'HARA  
CONSULTING ENGINEER  
145 TECHNOLOGY PARK/ATLANTA  
NORCROSS GA 30092

110048038050 1 1C01CY1FB11M1  
EBASCO SERVICES INC  
NUCLEAR LICENSING  
VINCE PATUTO  
TWO WORLD TRADE CENTER  
90TH FL  
NEW YORK NY 10048

110048103037 1 1C01CY1FB11M1  
EBASCO SERVICES INC  
FRANK RENTZ  
TWO WORLD TRADE CENTER  
88TH FL  
NEW YORK NY 10048

110048103038 1 1C01CY1FB11M1  
EBASCO SERVICES INC  
L ROBINS  
TWO WORLD TRADE CENTER  
88TH FL  
NEW YORK NY 10048

187501022714 1 1C01CY1FB11M1  
SPERLINE INSTRUMENT CORP  
ERIC L BEIGER  
VICE PRESIDENT-MARKETING  
PO BOX 2108  
SANTA FE NM 87501

107047094003 1 1C01CY1FB11M1  
ECOTECH INC  
L F GRADIN  
5418 TONNELLE AVE  
NORTH BERGEN NJ 07047

130303094392 1 1C01CY1FB11M1  
ECFC  
175 TRINITY AVE SW  
ATLANTA GA 30303

120036079255 1 1C01CY1FB11M1  
EDISON ELECTRIC INSTITUTE  
SUZANNE PHELPS  
MANAGER-NUCLEAR PROGRAMS  
1111 19TH ST NW  
WASHINGTON DC 20036

183415094015 1 1C01CY1FB11M1  
EG&G IDAHO INC  
HEALTH & SAFETY DIV  
J L CLARK  
MANAGER  
PO BOX 1625  
IDAHO FALLS ID 83415

183415063556 1 1C01CY1FB11M1  
EG&G IDAHO INC  
D W COLLING  
PO BOX 1625  
IDAHO FALLS ID 83415

183415105953 1 1C01CY1FB11M1  
EG&G IDAHO INC  
L D CRAFT  
PO BOX 1625  
IDAHO FALLS ID 83415

183415106163 1 1C01CY1FB11M1  
EG&G IDAHO INC  
J N DAVIS  
PO BOX 1625  
IDAHO FALLS ID 83415

183415091946 1 1C01CY1FB11M1  
EG&G IDAHO INC  
PROGRAMS RISK ADVISORY CMTE  
J CURTIS HAIRE  
CHAIRMAN  
PO BOX 1625  
IDAHO FALLS ID 83415

183415031484 1 1C01CY1FB11M1  
EG&G IDAHO INC  
INEL TECHNICAL LIBRARY  
BRENT N JACOBSEN  
LIBRARY SUPERVISOR  
PO BOX 1625  
IDAHO FALLS ID 83415

183415066803 1 1C01CY1FB11M1  
EG&G IDAHO INC  
J SINGH  
PO BOX 1625  
IDAHO FALLS ID 83415

183415064221 1 1C01CY1FB11M1  
EG&G IDAHO INC  
QUALITY DIVISION  
K G THERP  
PO BOX 1625  
WCP W-3  
IDAHO FALLS ID 83415

183415103335 1 1C01CY1FB11M1  
EG&G IDAHO INC  
DAVID F VAN LEUVEN  
PO BOX 1625  
IDAHO FALLS ID 83415

183415062746 1 1C01CY1FB11M1  
EG&G IDAHO INC  
PROGRAMS OPERATIONS & EVALUATI  
M S VARGO  
CHAIRMAN  
PO BOX 1625  
IDAHO FALLS ID 83415

110018093324 1 1C01CY1FB11M1  
EIC INTELLIGENCE  
CRAIG LUCAS  
ACQUISITIONS MANAGER  
48 WEST 33TH ST  
NEW YORK NY 10018

1SWITZ057566 1 1C01CY1FB11M1  
EIDG AMT FUR ENERGIEWIRTSCHAFT  
NUCLEAR SAFETY DIVISION  
ROLAND NAEGELIN  
ADMINISTRATOR  
5303 WUERENLINGEN SWITZERLA

194303064766 1 1C01CY1FB11M1  
ELECTRIC POWER RESEARCH INST  
NUCLEAR SAFETY ANALYSIS CTR  
LIBRARIAN  
3412 HILLVIEW AVE PO BOX 10412  
PALO ALTO CA 94303

194303054728 1 1C01CY1FB11M1  
ELECTRIC POWER RESEARCH INST  
NSAC  
ROBERT LEYSE  
PROGRAM MANAGER  
PO BOX 10412  
PALO ALTO CA 94303

120008008013 1 1C01CY1FB11M1  
EMBASSY OF GREAT BRITAIN  
UKAEA LIAISON OFFICE  
JOHN FRANCE  
FIRST SECRETARY-NUCLEAR ENERGY  
3100 MASSACHUSETTS AVENUE NW  
WASHINGTON DC 20008

120008000334 1 1C01CY1FB11M1  
EMBASSY OF GREAT BRITAIN  
SCIENCE & TECHNOLOGY  
MARGOT R LAING  
INFORMATION OFFICER  
3100 MASSACHUSETTS AVE NW  
WASHINGTON DC 20008

120037000346 1 1C01CY1FB11M1  
EMBASSY OF JAPAN  
SCIENCE SECTION  
TETSUHISA SHIRAKAWA  
600 NEW HAMPSHIRE AVE NW  
SUITE 575  
WASHINGTON DC 20037

120006093383 1 1C01CY1FB11M1  
ENEA  
P DE MITRI  
818 18TH ST NW  
SUITE 500  
WASHINGTON DC 20006

1ITALY009074 1 1C01CY1FB11M1  
ENEA-DISP  
DIV OF EXTERNAL RELATIONS  
VANNI PIERO  
ADMINISTRATOR  
VIA VITALIANO BRANCATI 48  
00144 ROME ITALY

145232103595 1 1C01CY1FB11M1  
ENERFAB CORP  
T H UTECH  
QA MANAGER  
4955 SPRING GROVE AVE  
CINCINNATI OH 45232

115017103217 1 1C01CY1FB11M1  
ENERGY CONSULTANTS INC  
DENNIS R DEAN  
CORPORATE LIBRARIAN  
1370 WASHINGTON PIKE  
BRIDGEVILLE PA 15017

183401091489 1 1C01CY1FB11M1  
ENERGY INC  
W V BOTTS  
PRESIDENT  
PO BOX 736  
IDAHO FALLS ID 83401

120902105926 1 1C01CY1FB11M1  
ENERGY INC  
KAY DOVE  
RESEARCH CONSULTANT  
P.O. BOX 1575  
SILVER SPRING MD 20902

183402002752 1 1C01CY1FB11M1  
ENERGY INC  
TECHNICAL LIBRARY  
JACKIE LOOP  
PO BOX 736  
IDAHO FALLS ID 83402

102154032003 1 1C01CY1FB11M1  
ENERGY RESEARCH GROUP INC  
LIBRARIAN  
400-1 TOTTEN FOND RD  
WALTHAM MA 02154

102818091790 1 1C01CY1FB11M1  
ENGINEERING ANALYSIS SERVICES  
PO BOX 657  
EAST GREENWICH RI 02818

101701091823 1 1C01CY1FB11M1  
ENGINEERING PLANNING & MGT INC  
STEPHEN MALONEY  
MGR-PROD DEVELOP & COMP SYSTS  
3 SPEEN ST  
FRAMINGHAM MA 01701

101701106142 1 1C01CY1FB11M1  
ENGINEERING PLANNING & MGT INC  
STEPHEN MALONEY  
THREE SPEEN ST  
FRAMINGHAM MA 01701

119006082333 1 1C01CY1FB11M1  
ENGLISSON & CASAPIS CONSULTANT  
GEORGE A ENGLISSON  
2186 PACKARD AVE  
HUNTINGDON VALLEY PA 19006

195159055107 1 1C01CY1FB11M1  
ENTOR CORP  
DAVID PAUL  
PO BOX 28450  
SAN JOSE CA 95159

195126054738 1 1C01CY1FB11M1  
ENTOR CORP  
JACK WEBER  
1985 THE ALAMEDA  
SAN JOSE CA 95125

116801028533 1 1C01CY1FB11M1  
ENVIRON COALITION ON NUC POWER  
JUDITH JOHNSRUD  
433 ORLANDO AVE  
STATE COLLEGE PA 16801



160148055622 1 1C01CY1FB11M1  
EGES INC  
N K AGNIHOTRI  
PO BOX 1177  
LOMPARD IL 60145

117405103544 1 1C01CY1FB11M1  
ERICSSON INC  
CONTINENTAL WIRE AND CABLE  
MICHAEL D GRIFFITHS  
QUALITY ASSURANCE ADMIN MGR  
PO BOX 1863  
YORK PA 17405

197210080169 1 1C01CY1FB11M1  
ESCC CORP  
JERALD E MILLS  
CORP GA MANAGER  
2141 NW 25TH AVE  
PORTLAND OR 97210

1SAFR1057401 1 1C01CY1FB11M1  
ESCOM CORP  
LIBRARY  
L VAN RENSBURG  
LIBRARIAN  
PO BOX 1091  
JOHANNESBURG 2000 SAFRICA

122314079030 1 1C01CY1FB11M1  
ESSEX CORP  
HAROLD E PRICE  
VICE PRESIDENT  
333 N FAIRFAX ST  
SUITE B  
ALEXANDRIA VA 22314

120895094456 1 1C01CY1FB11M1  
ETA TECHNICAL ASSOCIATES  
11221 WOODSON AVE  
KENSINGTON MD 20895

195501104206 1 1C01CY1FB11M1  
EUREKA-HUMBOLDT COUNTY LIBRARY  
DOCUMENT ROOM  
CATALOGER  
676 F ST  
EUREKA CA 95501

103833104242 1 1C01CY1FB11M1  
EXETER PUBLIC LIBRARY  
PAMELA GJETTUM  
DIRECTOR  
FRONT ST  
EXETER NH 03833

119147052998 1 1C01CY1FB11M1  
EXIDE CORP  
INDUSTRIAL  
ROBERT V HIGHT  
QUALITY ASSURANCE ENGINEER  
19 WEST COLLEGE AVENUE  
YARFLEY PA 19167

119044105261 1 1C01CY1FB11M1  
EXIDE CORP  
C H REICHAUT  
CONTRACT ADMINISTRATOR  
101 GILPRALTAR ROAD  
HORSHAM PA 19044

119044100642 1 1C01CY1FB11M1  
EXIDE CORP  
JOHN F VINKLER  
MKT SERVICE SUPPORT ENGR  
101 GILPRALTAR RD  
HORSHAM PA 19044

127604103208 1 1C01CY1FB11M1  
EXIDE ELECTRONICS  
A T ROSSELLI  
MGR-GA & IE  
3301 SPRING FOREST RD  
RALEIGH NC 27604

199352001696 2 1C01CY1FB11M1  
EXXON NUCLEAR COMPANY INC  
RESEARCH & TECHNOLOGY CENTER  
LIBRARIAN  
2101 HORN RAPIDS ROAD  
LIBRARY  
RICHLAND WA 99352

199352082403 1 1C01CY1FB11M1  
EXXON NUCLEAR COMPANY INC  
RELOAD FUEL LICENSING  
G F OWLSLEY  
2101 HORN RAPIDS RD  
PO BOX 130  
RICHLAND WA 99352

199352091498 1 1C01CY1FB11M1  
EXXON NUCLEAR COMPANY INC  
NUCLEAR FUEL DEPT  
C J VOLMER  
QA MANAGER  
2101 HORN RAPIDS RD  
RICHLAND WA 99352

175229081453 1 1C01CY1FB11M1  
F & M TECHNICAL SERVICES INC  
D L MARTIN  
PRESIDENT  
PO BOX 59387  
DALLAS TX 75229

102062100689 1 1C01CY1FB11M1  
FACTORY MUTUAL ENGINEERING  
MYRON J MILLER  
SPECIAL PROJECTS ENGINEER  
1151 BOSTON-PROVIDENCE TPKE  
PO BOX 688  
NORWOOD MA 02062

102062081640 1 1C01CY1FB11M1  
FACTORY MUTUAL RESEARCH CORP  
GEORGE E WELDON  
MANAGER SPECIAL HAZARDS  
1151 BOSTON-PROVIDENCE TPK  
NORWOOD MA 02062

129180104236 1 1C01CY1FB11M1  
FAIRFIELD COUNTY LIBRARY  
SARAH D MCMASTER  
DIRECTOR  
GARDEN & WASHINGTON STS  
WINNSBORO SC 29180

145150105966 1 1C01CY1FB11M1  
FARWELL & HENDRICKS INC  
ROY A WOESTE  
1000 FORD CIRCLE PO BOX 209  
MILFORD OH 45150

1FINLA003521 1 1C01CY1FB11M1  
FINLAND INST OF RADIAT PROTECT  
DEPARTMENT OF NUCLEAR SAFETY  
A VUORINEN  
DIRECTOR  
P O BOX 268  
00101 HELSINKI 10 FINLAND

150158091508 1 1C01CY1FB11M1  
FISHER CONTROLS INTERNATIONAL  
GEORGE BAITINGER  
QA MANAGER  
PO BOX 190  
MARSHALLTOWN IA 50158

150158053007 1 1C01CY1FB11M1  
FISHER CONTROLS INTERNATIONAL  
CHARLES COLWELL  
SUPERVISOR-ENTRY SPECS  
205 S CENTER ST  
MARSHALLTOWN IA 50158

150158091507 1 1C01CY1FB11M1  
FISHER CONTROLS INTERNATIONAL  
LAWRENCE FLEETWOOD  
QA MANAGER  
205 S CENTER ST PO BOX 190  
MARSHALLTOWN IA 50158

150158021209 1 1C01CY1FB11M1  
FISHER CONTROLS INTERNATIONAL  
FLOYD D JURY  
NUCLEAR TECH MANAGER  
PO BOX 11  
MARSHALLTOWN IA 50158

191720057035 1 1C01CY1FB11M1  
FLEET ANALYSIS CENTER  
GIDEP  
WILLIAM ARNITZ  
PROGRAM DIRECTOR  
CORONA CA 91720

132301012054 3 1C01CY1FB11M1  
FLORIDA DEPT OF HLTH & REHAB  
OFFICE OF RADIATION CONTROL  
LYLE JERRETT  
DIRECTOR  
1317 WINEWOOD BLVD  
TALLAHASSEE FL 32301

133457080593 1 1C01CY1FB11M1  
FLORIDA POWER & LIGHT CO  
ST LUCIE 1 NPS  
PLANT MANAGER  
JENSEN BEACH FL 33457

133102105578 1 1C01CY1FB11M1  
FLORIDA POWER & LIGHT CO  
TURKEY POINT 4 NPS  
PLANT MANAGER  
PO BOX 009100  
MIAMI FL 33102

133408081117 1 1C01CY1FB11M1  
FLORIDA POWER & LIGHT CO  
NUCLEAR LICENSING  
J A DEMASTRY  
MANAGER  
PO BOX 14000  
JUNO BEACH FL 33408

133454064618 1 1C01CY1FB11M1  
FLORIDA POWER & LIGHT CO  
G KOCZLOWSKI  
VAULT CUSTODIAN  
PO BOX 128  
FT PIERCE FL 33454

133102103520 1 1C01CY1FB11M1  
FLORIDA POWER & LIGHT CO  
D F MORGAN  
MGR-CORP RECORDS SERVICE  
PO BOX 029100  
MIAMI FL 33102

133454094115 1 1C01CY1FB11M1  
FLORIDA POWER & LIGHT CO  
NUCLEAR ENERGY  
C M WETHY  
PLANT MANAGER  
PO BOX 128  
FORT PIERCE FL 33454

133408105349 1 1C01CY1FB11M1  
FLORIDA POWER & LIGHT CO  
NUCLEAR ENERGY  
J W WILLIAMS JR  
GROUP VICE PRESIDENT  
PO BOX 1400  
JUNO BEACH FL 33408

133102080590 1 1C01CY1FB11M1  
FLORIDA POWER & LIGHT CO  
TURKEY POINT NPS  
E E YAEGGER  
SITE MANAGER  
PO BOX 029100  
MIAMI FL 33102

133102103477 1 1C01CY1FB11M1  
FLORIDA POWER & LIGHT CO  
MIAMI  
DOCUMENT CONTROL SUPVR  
PO BOX 029100  
MIAMI FL 33102

132629081354 1 1C01CY1FB11M1  
FLORIDA POWER CORP  
CRYSTAL RIVER 3 NPS  
E M HOWARD  
DIRECTOR-SITE NUCLEAR OPER  
PO BOX 219  
CRYSTAL RIVER FL 32629

132629081356 1 1C01CY1FB11M1  
FLORIDA POWER CORP  
CRYSTAL RIVER 3 NPS  
P F MCKEE  
MANAGER  
PO BOX 1240  
CRYSTAL RIVER FL 32629

133733091044 5 1C01CY1FB11M1  
FLORIDA POWER CORP  
NUCLEAR OPERATIONS  
W S WILGUS  
PO BOX 14042  
MAC H-3  
ST PETERSBURG FL 33733

132629093719 1 1C01CY1FB11M1  
FLORIDA POWER CORP  
NUCLEAR LICENSING  
K R WILSON  
PO BOX 219  
MU-53  
CRYSTAL RIVER FL 32629

116107103177 1 1C01CY1FB11M1  
FLOWLINE CORP  
BUTLER AVENUE EXTENSION  
N P STROIA  
QA MANAGER  
PO BOX 7027  
NEW CASTLE PA 16107

160606008712 1 1C01CY1FB11M1  
FLUOR ENGINEERS INC  
POWER DIV  
D M LEPPKE  
MGR TECH DEV  
200 W MONROE ST  
CHICAGO IL 60606

175001053010 1 1C01CY1FB11M1  
FORNEY ENGINEERING CO  
QUALITY ASSURANCE  
STANLEY E CURRY  
MANAGER-QUALITY ASSURANCE  
PO BOX 189  
ADDISON TX 75001

107039053011 1 1C01CY1FB11M1  
FOSTER WHEELER ENERGY CORP  
W J FINAN  
QUALITY ASSURANCE  
110 S ORANGE AVE  
LIVINGSTON NJ 07039

102035064465 1 1C01CY1FB11M1  
FOXBORO CO  
SYSTEMS OPERATIONS  
SYSTEMS QUALITY SERVICE  
MECHANIC ST  
D961  
FOXBORO MA 02035

102035091715 1 1C01CY1FB11M1  
FOXBORO CO  
MECHANICAL OPERATIONS  
ROBERT M GRAHN  
QC MANAGER  
DEPT 137 BLDG 4-2  
FOXBORO MA 02035

115235011881 1 1C01CY1FB11M1  
FRAMATOME  
C/O WESTINGHOUSE NES  
CLAUDIA GRANCHE  
300 PENN CENTER BLVD  
SUITE 600  
PITTSBURGH PA 15235

119103064783 1 1C01CY1FB11M1  
FRANKLIN RESEARCH CENTER  
S P CARFAGNO  
HEAD-NUCLEAR ENGINEERING  
20TH & RACE STS  
PHILADELPHIA PA 19103

119103091512 1 1C01CY1FB11M1  
FRANKLIN RESEARCH CENTER  
ARVIN/CALSPAN  
ANDREW J SAGGIOMO  
QA MANAGER  
20TH & RACE STS  
PHILADELPHIA PA 19103

18RAZ1028680 1 1C01CY1FB11M1  
FURNAS CENTRAIS ELÉTRICAS SA  
DIV BIBLIOTECA  
RUA REAL GRANDEZA 219 2038  
RIO DE JANEIRO 22283 BRAZIL

107039056039 1 1C01CY1FB11M1  
FW ENERGY APPLICATIONS INC  
CHARLES NASH  
110 S ORANGE AVE  
LIVINGSTON NJ 07039

194598094189 1 1C01CY1FB11M1  
G C SLAGIS ASSOCIATES  
GERALD C SLAGIS  
2025 CLEARVIEW CT  
WALNUT CREEK CA 94599

192138082597 1 1C01CY1FB11M1  
CA TECHNOLOGIES INC  
T R COLANDREA  
PO BOX 85508  
SAN DIEGO CA 92138

106340020097 2 1C01CY1FB11M1  
GENERAL DYNAMICS CORP  
ELECTRIC BOAT DIVISION  
MAINFILE-DEPT 633  
EASTERN POINT RD  
GROTON CT 06340

195125001598 1 1C01CY1FB11M1  
GENERAL ELECTRIC CO  
NUCLEAR ENERGY DIV  
LIBRARY  
175 CURTNER AVE  
MC 528  
SAN JOSE CA 95125

128402001616 1 1C01CY1FB11M1  
GENERAL ELECTRIC CO  
WILMINGTON MANUFACTURING DEPT  
MANAGER-LICENSING & NMM  
P O BOX 780  
J26  
WILMINGTON NC 28402

106602053735 1 1C01CY1FB11M1  
GENERAL ELECTRIC CO  
WIRE & CABLE BUSINESS DEPT  
1285 FOSTON AVE  
268W  
BRIDGEPORT CT 06602

195120104332 1 1C01CY1FB11M1  
GENERAL ELECTRIC CO  
LAWRENCE J CHOCKIE  
6729 LANDERWOOD LANE  
M/C 363  
SAN JOSE CA 95120

195125065234 1 1C01CY1FB11M1  
GENERAL ELECTRIC CO  
J D CORWIN  
175 CURTNER AVE  
MC 682  
SAN JOSE CA 95125

194566001593 1 1C01CY1FB11M1  
GENERAL ELECTRIC CO  
VALLECITOS NUCLEAR CENTER  
G E CUNNINGHAM  
SR LICENSING ENGINEER  
PO BOX 460  
PLEASANTON CA 94566

128402053025 1 1C01CY1FB11M1  
GENERAL ELECTRIC CO  
WILMINGTON MFG DEPARTMENT  
C W DOYLE  
POST OFFICE BOX 780  
A32  
WILMINGTON NC 28402

119355055290 1 1C01CY1FB11M1  
GENERAL ELECTRIC CO  
PWR SYS MGMT BUS DEPT  
E J FIERKO  
GENERAL MANAGER  
205 GREAT VALLEY PKWY  
MALVERN PA 19355

120814105337 1 1C01CY1FB11M1  
GENERAL ELECTRIC CO  
L S GIFFORD  
7910 WOODMONT AVE SUITE 203  
BETHESDA MD 20814

152601091523 1 1C01CY1FB11M1  
GENERAL ELECTRIC CO  
SWITCHGEAR DIV  
WILLIAM A GISLASON  
MANAGER MFR TECHNOLOGY  
AGENCY RD  
BURLINGTON IA 52601

152601053024 1 1C01CY1FB11M1  
GENERAL ELECTRIC CO  
SWITCHGEAR BUSINESS DEPARTMENT  
ROGER F GREENE  
MGR BURLINGTON PLANT OPERATION  
AGENCY ROAD P O BOX 488  
BURLINGTON IA 52601

160559065205 1 1C01CY1FB11M1  
GENERAL ELECTRIC CO  
R C HOOPER  
MANAGER-INSPECTION SERVICES  
8157 S CASS AVE  
DARIEN IL 60530

160559093280 1 1001CY1FB11M1  
GENERAL ELECTRIC CO  
R L HUGHES  
8157 SOUTH CASS AVE  
DARIEN IL 60559

160450062516 1 1001CY1FB11M1  
GENERAL ELECTRIC CO  
MORRIS OPERATION  
T E INGELS  
MGR-PLANT OPERATIONS  
7555 E COLLINS RD  
MORRIS IL 60450

195125093385 1 1001CY1FB11M1  
GENERAL ELECTRIC CO  
NUCLEAR ENERGY BUS OPER  
ARNOLD KOSLOW  
175 CURTNER AVE  
M/C 051  
SAN JOSE CA 95125

195125064718 1 1001CY1FB11M1  
GENERAL ELECTRIC CO  
NUCLEAR ENERGY  
TOM LANCASTER  
175 CURTNER AVE  
723  
SAN JOSE CA 95125

119406092316 1 1001CY1FB11M1  
GENERAL ELECTRIC CO  
NUCLEAR SERVICES DEPT  
L L LANTZ  
REGIONAL ENGR MANAGER  
1000 FIRST AVE  
KING OF PRUSSIA PA 19405

119142091527 1 1001CY1FB11M1  
GENERAL ELECTRIC CO  
SWITCHGEAR BUSINESS DEPT  
R H MILLER  
QA MANAGER  
6901 ELMWOOD AVE  
PHILADELPHIA PA 19142

195125091521 1 1001CY1FB11M1  
GENERAL ELECTRIC CO  
NUCLEAR ENERGY BUS GROUP  
J L MURRAY  
QA MANAGER  
175 CURTNER AVE  
SAN JOSE CA 95125

106602091524 1 1001CY1FB11M1  
GENERAL ELECTRIC CO  
WIRE & CABLE BUS DEPT  
RICHARD E SCHLEGAL  
1285 BOSTON AVE  
2433  
BRIDGEPORT CT 06602

119795067069 1 1001CY1FB11M1  
GENERAL ELECTRIC CO  
POWER SYS MGMT BUSINESS DEPT  
CASE SCOTT  
205 GREAT VALLEY PKY  
MD-1106  
MALLEEN PA 19355

195125105350 1 1001CY1FB11M1  
GENERAL ELECTRIC CO  
SAFETY & LICENSING  
G G SHERWOOD  
MANAGER  
175 CURTNER AVENUE  
SAN JOSE CA 95125

195125091526 1 1001CY1FB11M1  
GENERAL ELECTRIC CO  
NUCLEAR ENGY BUSINESS  
NOEL SHIPLEY  
175 CURTNER AVE  
M/C 982  
SAN JOSE CA 95125

195125006394 1 1001CY1FB11M1  
GENERAL ELECTRIC CO  
NUCLEAR ENERGY DIVISION  
JOHN M SHARPELOS  
175 CURTNER AVENUE  
MC-783  
SAN JOSE CA 95125

106600091772 1 1001CY1FB11M1  
GENERAL ELECTRIC CO  
WIRE & CABLE BUS DEPT  
LEON SKORZEWSKI  
QA MANAGER  
1285 BOSTON AVE  
BRIDGEPORT CT 06602

195125006033 1 1001CY1FB11M1  
GENERAL ELECTRIC CO  
R VILLA  
175 CURTNER AVE  
M/C 682  
SAN JOSE CA 95125

161702103399 1 1001CY1FB11M1  
GENERAL ELECTRIC CO  
CHARLES WETTER  
PO BOX 2913  
BLOOMINGTON IL 61702

137415026373 1 1001CY1FB11M1  
GENERAL PHYSICS CORP  
CHATTANOOGA DIV  
TECHNICAL INFORMATION CENTER  
ONE NORTHGATE PARK  
CHATTANOOGA TN 37415

121044079621 1 1001CY1FB11M1  
GENERAL PHYSICS CORP  
TECHNICAL INFORMATION CENTER  
N L KNIGHT  
MANAGER  
10650 HICKORY RIDGE RD  
COLUMBIA MD 21044

121044103498 1 1001CY1FB11M1  
GENERAL PHYSICS CORP  
R R TOUZIN  
SENIOR SPECIALIST  
10650 HICKORY RIDGE RD  
COLUMBIA MD 21044

106471103593 1 1001CY1FB11M1  
GENERAL RESISTANCE INC  
INTERNATIONAL INSTRUMENTS  
HARRY CHIN  
QA MANAGER  
TWIN LAKES RD PO BOX 185  
M BRANFORD CT 06471

130306093007 1 1001CY1FB11M1  
GEORGIA DEPT OF HUMAN RESOURCE  
GMHI  
BOBBY RUTLEDGE  
878 PEACHTREE ST  
ROOM 600  
ATLANTA GA 30306

130334030991 1 1001CY1FB11M1  
GEORGIA DEPT OF NATL RESOURCES  
ENVIRONMENTAL RADIATION  
JAMES C HARDEMAN  
270 WASHINGTON ST SW  
RM 825  
ATLANTA GA 30334

130334004860 1 1001CY1FB11M1  
GEORGIA DEPT OF NATL RESOURCES  
ENVIRONMENTAL PROTECTION DIV  
HAROLD F REHEIS  
ASSISTANT DIRECTOR  
270 WASHINGTON ST SW  
ATLANTA GA 30334

131513080543 1 1C01CY1FB11M1  
GEORGIA POWER CO  
E I HATCH 1 NPS  
PLANT MANAGER  
PO BOX 442  
BAXLEY GA 31513

131513080542 1 1C01CY1FB11M1  
GEORGIA POWER CO  
E I HATCH 2 NPS  
PLANT MANAGER  
PO BOX 442  
BAXLEY GA 31513

130302008706 1 1C01CY1FB11M1  
GEORGIA POWER CO  
NUCLEAR OPERATIONS  
J T FECKHAM  
PO BOX 4545  
333/16  
ATLANTA GA 30302

130830092719 1 1C01CY1FB11M1  
GEORGIA POWER CO  
VOGTLE  
G BOCKHOLD  
RTE 2  
POB 299-A  
WAYNESBORO GA 30830

131513080897 1 1C01CY1FB11M1  
GEORGIA POWER CO  
PIERRE E FJRNEL  
SITE GA MANAGER  
PO BOX 442  
BAXLEY GA 31513

130830094423 1 1C01CY1FB11M1  
GEORGIA POWER CO  
D O FOSTER  
V PRES & PROJECT GEN MGR  
PO BOX 299A ROUTE 2  
WAYNESBORO GA 30830

130302105351 1 1C01CY1FB11M1  
GEORGIA POWER CO  
DONALD FOSTER  
VICE PRESIDENT & PROJECT MGR  
333 PIERMONT  
ATLANTA GA 30302

130830080903 1 1C01CY1FB11M1  
GEORGIA POWER CO  
H H GREGORY  
GEN MGR-VOGTLE NUCL CONST DEPT  
PO BOX 292  
WAYNESBORO GA 30830

130830080902 1 1C01CY1FB11M1  
GEORGIA POWER CO  
E D GROOVER  
GA SITE MANAGER  
PO BOX 292  
WAYNESBORO GA 30830

130302080904 1 1C01CY1FB11M1  
GEORGIA POWER CO  
R J KELLY  
EXECUTIVE VICE PRESIDENT  
PO BOX 4545  
ATLANTA GA 30302

131513080998 1 1C01CY1FB11M1  
GEORGIA POWER CO  
E I HATCH NPS  
H C NIX  
PLANT GENERAL MANAGER  
PO BOX 429  
BAXLEY GA 31513

130334080986 1 1C01CY1FB11M1  
GEORGIA PUBLIC SERVICE CO  
HORACE F HARTLEY  
EXECUTIVE SECRETARY  
244 WASHINGTON ST SW  
ATLANTA GA 30334

1WGFRM092113 1 1C01CY1FB11M1  
GESELLSCHAFT FUR REAKTORSICHE  
E LINDAUER  
GLOCKENGASSE 2  
5000 COLOGNE 1 WGERMANY

110001091531 1 1C01CY1FB11M1  
GIBBS & HILL INC  
P P DERIENZO  
VICE PRES-CONSULTING ENG/CA  
11 PENN PLAZA  
NEW YORK NY 10001

110001001194 4 1C01CY1FB11M1  
GIBBS & HILL INC  
FRANK D HUTCHINSON  
SR VICE PRESIDENT  
11 PENN PLAZA  
NEW YORK NY 10001

110001001192 1 1C01CY1FB11M1  
GIBBS & HILL INC  
LIBRARY  
M PELLEGRINO  
SENIOR LIBRARY ASSISTANT  
11 PENN PLAZA  
NEW YORK NY 10001

110001008707 1 1C01CY1FB11M1  
GIBBS & HILL INC  
PETER H SMITH  
PRESIDENT  
393 SEVENTH AVE  
NEW YORK NY 10001

144081093937 1 1C01CY1FB11M1  
GILBERT ASSOCIATES INC  
NGAD  
A L BRADSHAW  
PO BOX 84  
S150  
PERRY OH 44081

119603007983 6 1C01CY1FB11M1  
GILBERT ASSOCIATES INC  
LIBRARY  
B LE BOULCH  
PO BOX 1498  
READING PA 19603

119603008708 1 1C01CY1FB11M1  
GILBERT ASSOCIATES INC  
JAMES R STODT  
PRESIDENT  
PO BOX 1498  
READING PA 19603

119603091532 1 1C01CY1FB11M1  
GILBERT COMMONWEALTH  
N R PARKER  
VICE PRESIDENT  
PO BOX 1498  
READING PA 19603

149201029240 1 1C01CY1FB11M1  
GILBERT COMMONWEALTH  
POWER DIVISION  
WILLIAM H RANDALL  
MANAGER OF LICENSING  
209 E WASHINGTON AVE  
JACKSON MI 49201

119603053027 1 1C01CY1FB11M1  
GILBERT COMMONWEALTH  
POWER & IND SYS DIV  
WAYNE H TRAFFAS  
VICE PRESIDENT  
PO BOX 1498  
READING PA 19603

176043103011 1 1C01CY1FB11M1  
GLEN ROSE-SOMERVELL LIBRARY  
FREDA WHITWORTH  
LIBRARIAN  
BARNARD & HWY 144 PO BOX 417  
GLEN ROSE TX 76043

119047053031 1 1C01CY1FB11M1  
GNB BATTERIES INC  
INDUSTRIAL BATTERY DIV  
RAYMOND R FLETCHER  
2010 CABOT BLVD W  
LANGHORNE PA 19047

144316022802 1 1C01CY1FB11M1  
GOODYEAR CORP  
RESEARCH DIVISION  
P J REILLY  
143 GOODYEAR BLVD  
SUITE 314  
ARCON OH 44316

121157104482 1 1C01CY1FB11M1  
GOULD INC  
PAUL HIGGINS  
2002 BETHEL RD  
WESTMINSTER MO 21157

113148000097 1 1C01CY1FB11M1  
GOULDS PUMPS INC  
NUCLEAR POWER  
E F HYATT  
240 FALL ST  
GENEVA FALLS NY 13149

108731105366 1 1C01CY1FB11M1  
GPU NUC CO & JERSEY CENT PWR &  
LIGHT CO  
P B FIEDLER VP  
OYSTER CREEK NUC GENERATING STA  
PO BOX 389  
FORKED RIVER NJ 08731

117057080586 1 1C01CY1FB11M1  
GPU NUCLEAR  
TMI 1 NPS  
PLANT MANAGER  
MIDDLETOWN PA 17057

117057081274 1 1C01CY1FB11M1  
GPU NUCLEAR  
BOUG REDELL  
PO BOX 480  
MIDDLETOWN PA 17057

108731081561 1 1C01CY1FB11M1  
GPU NUCLEAR  
OYSTER CREEK NPS  
P B FIEDLER  
VICE PRESIDENT & DIRECTOR  
PO BOX 389  
FORKED RIVER NJ 08731

117057081558 1 1C01CY1FB11M1  
GPU NUCLEAR  
TMI-2  
F R STANDERFER  
DIRECTOR  
PO BOX 480  
MIDDLETOWN PA 17057

119020093323 1 1C01CY1FB11M1  
GILBRETH INTERNATIONAL CORP  
3300 STATE RD  
PO BOX 779  
BENSALEM PA 19020

131520026178 1 1C01CY1FB11M1  
GLYNN COUNTY HEALTH DEPT  
JERRY MORRIS  
RADIATION SAFETY OFFICER  
1609 NEWCASTLE ST  
BRUNSWICK GA 31520

160901103570 1 1C01CY1FB11M1  
GNB BATTERIES INC  
IND BATTERY DIV  
G R WILLE  
MGR OF QUALITY ASSURANCE  
WEST STATION RD  
KANKAKEE IL 60901

121157103057 1 1C01CY1FB11M1  
GOULD INC  
INDUSTRIAL CONTROLS DIV  
MICHEL FENNETEAU  
QA MANAGER  
2002 BETHEL RD  
WESTMINSTER MO 21157

121157021778 1 1C01CY1FB11M1  
GOULD INC  
I C D  
ROGER E NELSON  
QA SUPERVISOR  
2002 BETHEL RD  
WESTMINSTER MO 21157

120036103722 1 1C01CY1FB11M1  
GOVT ACCOUNTABILITY PROJECT  
THOMAS DEVINE  
LEGAL DIRECTOR  
1555 CONNECTICUT AVE NW #200  
WASHINGTON DC 20036

107054005790 1 1C01CY1FB11M1  
GPU NUCLEAR  
HG LIBRARY  
LIBRARIAN  
100 INTERPACE PKWY  
PARSIPPANY NJ 07054

117057080587 1 1C01CY1FB11M1  
GPU NUCLEAR  
TMI 2 NPS  
PLANT MANAGER  
MIDDLETOWN PA 17057

108731094454 1 1C01CY1FB11M1  
GPU NUCLEAR  
PHILIP R CLARK  
PRESIDENT  
PO BOX 388 ROUTE 9 SOUTH  
FORKED RIVER NJ 08731

117057066309 1 1C01CY1FB11M1  
GPU NUCLEAR  
HENRY D MUKILL  
VICE PRES & DIRECTOR-TMI1  
PO BOX 480  
MIDDLETOWN PA 17057

107054039680 1 1C01CY1FB11M1  
GPU NUCLEAR  
TECHNICAL FUNCTIONS  
JACK WETMORE  
MGR-PLANT ANALYSIS  
100 INTERPACE PKWY  
PARSIPPANY NJ 07054

148640102989 1 1001CY1FB11M1  
GRACE DOW MEMORIAL LIBRARY  
SANDRA L KRCHMAR  
REFERENCE LIBRARIAN  
1710 W ST ANDREWS RD  
MIDLAND MI 48640

107083100789 1 1001CY1FB11M1  
GRAVER CHEMICAL  
CHEMICAL PRODUCTS  
CHESTER S PARKS  
MARKETING MANAGER  
2720 US HWY 22  
UNION NJ 07083

1GREEC064850 1 1001CY1FB11M1  
GREEK ATOMIC ENERGY COMMISSION  
NUCLEAR RESEARCH CENTER  
N G CHRYSOCHOIDES  
ADMINISTRATOR  
AGHIA PARASKEVI  
ATTIKI GREECE

1GREEC057557 1 1001CY1FB11M1  
GREEK ATOMIC ENERGY COMMISSION  
NUCLEAR TECHNOLOGY DEPT  
JOHN KOLLAS  
ADMINISTRATOR  
AGHIA PARASKEVI  
ATTIKI GREECE

180631104216 1 1001CY1FB11M1  
GREELEY PUBLIC LIBRARY  
ESTHER FROMM  
DIRECTOR  
519 7TH ST CITY COMPLEX BLDG  
GREELEY CO 80631

101301104205 1 1001CY1FB11M1  
GREENFIELD COMMUNITY COLLEGE  
LIBRARY/LEARNING RESOURCE CTR  
MARGARET E HOWLAND  
DIRECTOR OF LEARNING RESOURCES  
1 COLLEGE DR  
GREENFIELD MA 01301

190040091537 1 1001CY1FB11M1  
GREER HYDRAULICS INC  
R D LIEBERT  
DIRECTOR-QUALITY ASSURANCE  
4500 E SLAUSON AVE  
CITY OF COMMERCE CA 90040

166071091701 1 1001CY1FB11M1  
GULF & WESTERN MFG CO  
TAYLOR FORGE ENGR SYS  
STAN D GRIGGS  
QA MANAGER  
1ST & IRON ST  
PAOLA KS 66071

109876091700 1 1001CY1FB11M1  
GULF & WESTERN MFG CO  
TAYLOR FORGE STAINLESS  
TOM MURPHY  
QA MANAGER  
READINGTON RD  
NORTH BRANCH NJ 08875

138128092199 1 1001CY1FB11M1  
GULF & WESTERN MFG CO  
TAYLOR FORGE  
DAVID L SHIRA  
PO BOX 28749  
MEMPHIS TN 38128

132520103304 1 1001CY1FB11M1  
GULF POWER CO  
ELECTRIC OPERATIONS  
GEORGE O LAYMAN  
DIRECTOR-POWER GEN RESEARCH  
PO BOX 1151  
PENSACOLA FL 32520

132520008709 1 1001CY1FB11M1  
GULF POWER CO  
EARL S PARSONS  
VICE PRESIDENT-ELEC OPERATIONS  
PO BOX 1151  
PENSACOLA FL 32520

170775080517 1 1001CY1FB11M1  
GULF STATES UTILITIES CO  
RIVER BEND 1 APS  
FLAHT MANAGER  
ST FRANCISVILLE LA 70775

177704081877 1 1001CY1FB11M1  
GULF STATES UTILITIES CO  
RIVER BEND NUCLEAR GROUP  
WILLIAM J CAHILL  
SENIOR VICE PRESIDENT  
PO BOX 2951  
BEAUMONT TX 77704

170775060571 1 1001CY1FB11M1  
GULF STATES UTILITIES CO  
RIVER BEND STATION LIBRARY  
ANGEL CASTILLE  
PO BOX 220  
ST FRANCISVILLE LA 70775

177701064765 1 1001CY1FB11M1  
GULF STATES UTILITIES CO  
J W SYME  
NUCLEAR RECORDS REPRESENT  
PO BOX 2951  
BEAUMONT TX 77701

177029091538 1 1001CY1FB11M1  
GULFALLOY INC  
WILLIAM GROSS  
QA MANAGER  
4730 DAPIEN ST PO BOX 5251F  
HOUSTON TX 77028

137830094365 1 1001CY1FB11M1  
GULL ENGINEERING INC  
GRAHAM V WALFORD  
78 MITCHELL RD  
OAK RIDGE TN 37830

192627091539 1 1001CY1FB11M1  
GULTON INDUSTRIES INC  
SERVONIC DIV  
NEAL HOMBURG  
DIRECTOR OF ENGINEERING  
1644 WHITTIER AVE  
COSTA MESA CA 92627

107029053513 1 1001CY1FB11M1  
GUYON ALLOYS INC  
GEORGE GRUNTHALER  
959 SOUTH FOURTH STREET  
HARRISON NJ 07029

177020091540 1 1001CY1FB11M1  
HAML & CLAY  
GEORGE J PEREZ  
QA MANAGER  
5100 CLINTON DR PO BOX 15521  
HOUSTON TX 77020

195050094117 1 1001CY1FB11M1  
HALCON CORP  
1400 COLEMAN AVE  
SUITE G23  
SANTA CLARA CA 95050

102868053049 1 1C01CY1FB11M1  
HAMMEL DAHL INC  
DONALD A OUELLETTE  
QA MANAGER  
175 POST RD  
WARWICK RI 02889

153214091541 1 1C01CY1FB11M1  
HARNISCHFEGER CORP  
INDUSTRIAL DIV  
GERALD GOFF  
DIRECTOR-QUALITY ASSURANCE  
4400 W NATIONAL AVE  
MILWAUKEE WI 53214

153201053037 1 1C01CY1FB11M1  
HARNISCHFEGER CORP  
HEAVY DUTY CRANES  
GUY JOHNSON  
GENERAL SALES MANAGER  
POST OFFICE BOX 310  
MILWAUKEE WI 53201

106111029797 1 1C01CY1FB11M1  
HARTFORD STEAM BOILER  
SIS DIV  
FRANCIS T DUBA  
ONE STATE ST  
HARTFORD CT 06111

129550104214 1 1C01CY1FB11M1  
HARTSVILLE MEMORIAL LIBRARY  
NUCLEAR INFORMATION DEPOSITORY  
JANE MASON  
LIBRARIAN  
220 N 5TH ST  
HARTSVILLE SC 29550

196801012281 1 1C01CY1FB11M1  
HAWAII DEPT OF HEALTH  
ENVIRON HEALTH  
MELVIN K KOIZUMI  
DEPUTY DIRECTOR  
PO BOX 3378  
HONOLULU HI 96801

105401053038 1 1C01CY1FB11M1  
HAYWARD TYLER PUMP CO  
REX W McMILLAN  
QA MANAGER  
PO BOX 400  
EURLINGTON VT 05401

102109106166 1 1C01CY1FB11M1  
HEAT EXCHANGER SYSTEMS INC  
ROBERT J BELL  
PRESIDENT  
31 MILK ST STE 701  
BOSTON MA 02109

160507092583 1 1C01CY1FB11M1  
HENRY PRATT CO  
E R CUMMINS  
401 S HIGHLAND AVE  
AURORA IL 60507

160507053039 1 1C01CY1FB11M1  
HENRY PRATT CO  
A K WILSON  
VICE PRESIDENT ENGINEERING  
401 SOUTH HIGHLAND AVENUE  
AURORA IL 60507

174145091544 1 1C01CY1FB11M1  
HILTI INC  
EDWARD R FOLGO  
MARKET MANAGER  
4115 S 100TH E AVE  
TULSA OK 74145

139154104240 1 1C01CY1FB11M1  
HINDS JUNIOR COLLEGE  
GEORGE M MCLENDON LIBRARY  
GAYLE KEEFE  
LIBRARY TECHNICAL ASSISTANT  
MAIN ST  
RAYMOND MS 39154

1JAPAN091545 1 1C01CY1FB11M1  
HIFATA VALVE INDUSTRY CO LTD  
KAWASAKI DIV  
S TANIMOTO  
QA MANAGER  
15 HISAMOTO TAKATSU-KU  
KAWASAKI KANAGAWA JAPAN

110591105911 1 1C01CY1FB11M1  
HITACHI AMERICA LTD  
P I E DIV  
OSAMU KANAZAWA  
NUCLEAR ENGINEER  
50 PROSPECT AVE  
TARRYTOWN NY 10591

149423105367 1 1C01CY1FB11M1  
HOPE COLLEGE  
VAN ZOEPEN LIBRARY  
MS CAROL JUTH  
REFERENCE LIBRARIAN  
HOLLAND MI 49423

1ENGLA053198 1 1C01CY1FB11M1  
HOPKINSONS LTD  
BRITANNIA WORKS  
R WATSON  
PO BOX 627  
HD2 2URJ  
JDDERSFIELD ENGLAND

177001078448 1 1C01CY1FB11M1  
HOUSTON LIGHTING & POWER CO  
MANAGER-NUCLEAR LICENSING  
PO BOX 1700  
HOUSTON TX 77001

177483080521 1 1C01CY1FB11M1  
HOUSTON LIGHTING & POWER CO  
STP  
PO BOX 510  
WADSWORTH TX 77483

177001093820 1 1C01CY1FB11M1  
HOUSTON LIGHTING & POWER CO  
CYNTHIA S GLENNEY  
LEADER-TREASURY  
PO BOX 1700  
HOUSTON TX 77001

177001105352 1 1C01CY1FB11M1  
HOUSTON LIGHTING & POWER CO  
J H GOLDBERG  
GROUP VICE PRESIDENT NUCLEAR  
P O BOX 1700  
HOUSTON TX 77001

177001081032 1 1C01CY1FB11M1  
HOUSTON LIGHTING & POWER CO  
NUCLEAR ENGR & CONSTRUCTION  
J H GOLDBERG  
VICE PRESIDENT  
PO BOX 1700  
HOUSTON TX 77001

177001093958 1 1C01CY1FB11M1  
HOUSTON LIGHTING & POWER CO  
G W OPREA  
EXEC VICE PRESIDENT  
PO BOX 1700  
HOUSTON TX 77001



277001001479 1 1C01CY1FB11M1  
HOUSTON LIGHTING & POWER CO  
SOUTH TEXAS PROJECT  
J T WESTERMEIER  
MANAGER  
PO BOX 1700  
HOUSTON TX 77001

123451106174 1 1C01CY1FB11M1  
HP DESIGN & DEVELOPMENT INC  
JOSEPH E MASSEY  
PRESIDENT  
2247-A N GREAT NECK RD  
VIRGINIA BEACH VA 23451

161856063895 1 1C01CY1FB11M1  
HJMAN FACTORS SOCIETY  
CHARLES O HOPKINS  
28 FOOTHILL RD  
MONTECELLO IL 61856

183720026180 1 1C01CY1FB11M1  
IDAHO DEPT OF HEALTH & WELFARE  
RADIATION CONTROL SECTION  
ROBERT FUNDERBERG  
MANAGER  
STATEHOUSE  
BOISE ID 83720

161727060557 1 1C01CY1FB11M1  
ILLINOIS POWER CO  
CLINTON 1 VPS  
PLANT MANAGER  
CLINTON IL 61727

161727064597 1 1C01CY1FB11M1  
ILLINOIS POWER CO  
C S FONES  
ADMINISTRATIVE SUPERVISOR  
P R 3  
CLINTON IL 61727

161748104234 1 1C01CY1FB11M1  
ILLINOIS VALLEY COMM COLLEGE  
JACQUES MEMORIAL LIBRARY  
EVELYN MOYLE  
DOCUMENTS LIBRARIAN  
RR 1  
OGLESBY IL 61348

160015103659 1 1C01CY1FB11M1  
IMPELL CORP  
2345 LAUKEGAN RD  
BANNOCKBURN IL 60015

111747082337 1 1C01CY1FB11M1  
IMPELL CORP  
LIBRARY  
225 BROAD HOLLOW RD  
MELVILLE NY 11747

195498106183 1 1C01CY1FB11M1  
IMPELL CORP  
BENAMOU ANDRE  
350 LENNON LANE  
WALNUT CREEK CA 95498

194598105858 1 1C01CY1FB11M1  
IMPELL CORP  
WAYNE BEST  
350 LENNON LANE  
WALNUT CREEK CA 94598

136302104233 1 1C01CY1FB11M1  
HOUSTON-LOVE MEMORIAL LIBRARY  
BETTYE FORBUS  
DIRECTOR  
212 W BURDESHAW ST  
BOX 1369  
DOTHAM AL 36302

130094105871 1 1C01CY1FB11M1  
HUB CORP  
MARTIN SMITH  
PO BOX 125  
TUCKER GA 30084

177704064605 1 1C01CY1FB11M1  
IBM CORP  
T D GANDY JR  
INDUSTRY SPECIALIST  
PO BOX 831  
BEAUMONT TX 77704

162704009000 1 1C01CY1FB11M1  
ILLINOIS DEPT OF NUCLEAR SFTY  
TERRY LASH  
DIRECTOR  
1035 OUTER PARK DR  
5TH FL  
SPRINGFIELD IL 62704

161727105353 1 1C01CY1FB11M1  
ILLINOIS POWER CO  
D E BALL  
VICE PRESIDENT  
P O BOX 678  
CLINTON IL 61727

162525094378 1 1C01CY1FB11M1  
ILLINOIS POWER CO  
R W WALDEN  
500 S 27TH ST  
DECATUR IL 62525

102154105848 1 1C01CY1FB11M1  
IMPELL CORP  
800 SOUTH STREET  
WALTHAM MA 02154

199352105856 1 1C01CY1FB11M1  
IMPELL CORP  
1933 JADWIN AVE  
SUITE 125  
RICHLAND WA 99352

194598026885 2 1C01CY1FB11M1  
IMPELL CORP  
LIBRARY  
LIBRARIAN  
350 LENNON LANE  
WALNUT CREEK CA 94598

19410053000 1 1C01CY1FB11M1  
IMPELL CORP  
R A AYRES  
220 MONTGOMERY ST  
SAN FRANCISCO CA 94104

130092066906 1 1C01CY1FB11M1  
IMPELL CORP  
DEL BRITT  
LIBRARIAN  
333 RESEARCH COURT  
NORCROSS GA 30092

111747092317 1 1C01CY1FB11M1  
IMPELL CORP  
ARTHUR CASTELLI  
225 BROAD HOLLOW RD  
MELVILLE NY 11747

194598105857 1 1C01CY1FB11M1  
IMPELL CORP  
T DONAT  
350 LENNON LANE  
WALNUT CREEK CA 94598

194598104366 1 1C01CY1FB11M1  
IMPELL CORP  
JOSE DUBON  
350 LENNON LANE  
WALNUT CREEK CA 94598

194598064767 1 1C01CY1FB11M1  
IMPELL CORP  
MSD  
C M FRANK  
ENGINEER  
350 LENNON LANE  
WALNUT CREEK CA 94598

194598100698 1 1C01CY1FB11M1  
IMPELL CORP  
J HASTINGS  
350 LENNON LANE  
WALNUT CREEK CA 94598

194598105283 1 1C01CY1FB11M1  
IMPELL CORP  
HENRY LIN  
350 LENNON LANE  
WALNUT CREEK CA 94598

194598105788 1 1C01CY1FB11M1  
IMPELL CORP  
T MAYEY  
350 LENNON LANE  
WALNUT CREEK CA 94598

111747082338 1 1C01CY1FB11M1  
IMPELL CORP  
STEPHEN MILIOTI  
SECTION MANAGER  
225 BROAD HOLLOW RD  
MELVILLE NY 11747

294598005480 1 1C01CY1FB11M1  
IMPELL CORP  
M J SCHOLTENS  
350 LENNON LANE  
WALNUT CREEK CA 94598

195698105774 1 1C01CY1FB11M1  
IMPELL CORP  
KEV SCOWN  
350 LENNON LANE  
WALNUT CREEK CA 94598

194598065746 1 1C01CY1FB11M1  
IMPELL CORP  
AED  
ARON SEIKEN  
SUPERVISOR  
350 LENNON LANE  
WALNUT CREEK CA 94598

111747103706 1 1C01CY1FB11M1  
IMPELL CORP  
ROBERT L SKIPPER  
225 BROAD HOLLOW RD  
MELVILLE NY 11747

160015092830 1 1C01CY1FB11M1  
IMPELL CORP  
SYSTEMS ENGINEERING DIV  
KEVIN C WARAPIUS  
MANAGER  
2345 WAUKEGAN RD  
BANNOCKBURN IL 60015

160648091548 1 1C01CY1FB11M1  
IMPERIAL CLEVITE INC  
HYMAN POLOTIN  
QA MANAGER  
6300 W HOWARD ST  
CHICAGO IL 60648

160648053030 1 1C01CY1FB11M1  
IMPERIAL CLEVITE INC  
IMPERIAL EASTMAN  
RONALD ST CLAIR  
DIRECTOR-QUALITY ASSUPANCE  
6300 W HOWARD ST  
CHICAGO IL 60648

1INDIA038061 1 1C01CY1FB11M1  
INDIA DEPT OF ATOMIC ENERGY  
TARAPUR ATOMIC POWER PROJECT  
K NANJUNDESWARAN  
DEPUTY CHIEF SUPERINTENDENT  
THANA DISTRICT  
MAHARASHTRA 401504 INDIA

133450104229 1 1C01CY1FB11M1  
INDIAN RIVER JR COLLEGE  
CHARLES S MILEY LRNG RES CTR  
RUTH HANSELL  
ACQUISITIONS LIBRARIAN  
3209 VIRGINIA AVE  
FT PIERCE FL 33450

149106080314 1 1C01CY1FB11M1  
INDIANA & MICHIGAN ELECTRIC CO  
D C COOK NPS 1 & 2  
W G SMITH  
PLANT MANAGER  
PO BOX 458  
BRIDGMAN MI 49106

243216092195 1 1C01CY1FB11M1  
INDIANA & MICHIGAN POWER CO  
AEPSC  
JOHN E DOLAN  
VICE CHAIRMAN-ENGR & CONSTR  
1 RIVERSIDE PLAZA  
COLUMBUS OH 43215

146206012128 1 1C01CY1FB11M1  
INDIANA BOARD OF HEALTH  
RALPH C PICKARD  
ASST COMMISSIONER-ENVIR HEALTH  
1330 W MICHIGAN ST  
INDIANAPOLIS IN 46206

108650064452 1 1C01CY1FB11M1  
INDUSTRIAL ENGINEERING WORKS  
H K MERRITT  
QA/C MANAGER  
PO BOX 8008  
TRENTON NJ 08650

120879091778 1 1C01CY1FB11M1  
INDUSTRIAL QUALITY INC  
HAROLD BERGER  
PO BOX 2397  
GAITHERSBURG MD 20879

180150093282 1 1C01CY1FB11M1  
INFORMATION HANDLING SERVICES  
SHELEY CARTER  
15 INVERNESS WAY E  
ENGLEWOOD CO 80150

166110064596 1 1C01CY1FB11M1  
INLAND VITAL RECORDS CENTER  
S SCHULTZ  
MANAGER  
6500 INLAND DRIVE  
KANSAS CITY KS 66110

160638091551 1 1C01CY1FB11M1  
INPYCO INC  
CONCRETE SYSTEMS GROUP  
DONALD WAITKUS  
GM MANAGER  
7200 S NARRAGANSETT AVE  
BECFORD PARK IL 60639

120000090020 1 1C01CY1FB11M1  
INSIDE NRC  
MARGARET RYAN  
WASHINGTON EDITOR  
1100 VERMONT AVE NW  
SUITE 1200  
WASHINGTON DC 20005

1YUGOS092128 1 1C01CY1FB11M1  
INSTITUT JOZEF STEFAN  
NUCLEAR SAFETY COORD  
BORUT PAVKO  
ADMINISTRATOR  
JAMOVA 39  
61111 LJUBLJANA YUGOSLAVI

121403081456 1 1C01CY1FB11M1  
INSTITUTE FOR RESOURCE MGT  
ROBBY LEONARD  
428 FOURTH ST  
ANNAPOLIS MD 21403

130330066104 1 1C01CY1FB11M1  
INSTITUTE OF NUCLEAR PWR OPER  
TECHNICAL LIBRARY  
JANE STARNES  
1100 CIRCLE 75 Pkwy  
SUITE 1500  
ATLANTA GA 30339

102184104391 1 1C01CY1FB11M1  
INTERSCIENCE CONSULTANTS INC  
400 FRANKLIN STREET  
POB 9133  
BRAintree MA 02184

150319081502 1 1C01CY1FB11M1  
IOWA COMMERCE COMMISSION  
THOMAS HOJVENAGLE  
LUCAS STATE OFFICE BLDG  
DES MOINES IA 50319

150319054173 1 1C01CY1FB11M1  
IOWA DEPT OF HEALTH  
ENVIRONMENTAL HEALTH  
JOHN A EURE  
DIRECTOR  
LUCAS STATE OFFICE BLDG  
DES MOINES IA 50319

152406008660 1 1C01CY1FB11M1  
IOWA ELECTRIC LIGHT & POWER CO  
LEE LIU  
PRESIDENT & CHAIRMAN OF BOARD  
PO BOX 351  
CEDAR RAPIDS IA 52406

108865091550 1 1C01CY1FB11M1  
INGERSOLL RAND CO  
CAMERON PUMP DIV  
M F HAGERSTROM  
QA MANAGER  
PO BOX 486  
PHILLIPSBURG NJ 08865

108053106014 1 1C01CY1FB11M1  
INNOVATION TECHNOLOGY INC  
L BERKOWITZ  
PRESIDENT  
4001 H GREENTREE EXEC CAMPUS  
MARLTON NJ 08053

194566080830 1 1C01CY1FB11M1  
INS CORP  
WILLIAM ROSCHEWSKI  
WESTERN OPERATIONS MGR  
65 PAY ST  
PLEASANTON CA 94566

1DENMA066985 1 1C01CY1FB11M1  
INSPECTORATE OF NUC INSTALLATN  
L HANNIBAL  
ADMINISTRATOR  
PO BOX 217  
DK-4000 ROSKILDE DENMARK

1YUGOS092129 1 1C01CY1FB11M1  
INSTITUT RUDEP BOSKOVIC  
PETAR TOMAS  
ADMINISTRATOR  
BIJENICKA C54  
41000 ZAGREB YUGOSLAVI

121403083803 1 1C01CY1FB11M1  
INSTITUTE FOR RESOURCE MGT  
MICHAEL S TERPILAK  
428 FOURTH ST  
POB 4609  
ANNAPOLIS MD 21403

1POLAN007288 1 1C01CY1FB11M1  
INSTITUTE OF NUCLEAR RESEARCH  
REACTOR ENGINEERING DEPT.  
A STRUPCZEWSKI  
ASST PROF  
05-400  
SWIERK NEAR WARSAW POLAND

192056040034 1 1C01CY1FB11M1  
INTL CONSULTANTS  
JAY S IYER  
1620 WAGON WHEEL DRIVE  
OCEANSIDE CA 92056

150319055550 1 1C01CY1FB11M1  
IOWA COMMERCE COMMISSION  
ANDREW VARLEY  
CHAIRMAN  
LUCAS STATE OFFICE BLDG  
DES MOINES IA 50319

152324080533 1 1C01CY1FB11M1  
IOWA ELECTRIC LIGHT & POWER CO  
DUANE ARNOLD NPS  
PLANT MANAGER  
RR #1  
PALO IA 52324

152808003134 1 1C01CY1FB11M1  
IOWA ILLINOIS GAS & ELEC CO  
ENERGY SUPPLY & ENGINEERING  
KARL H SCHAFER  
VICE PRESIDENT  
PO BOX 4350  
DAVENPORT IA 52808

169602081398 1 1C01CY1FB11M1  
ISHAM LINCOLN & BEALE  
MICHAEL MILLER  
3 FIRST NATIONAL PLAZA  
51ST FLOOR  
CHICAGO IL 60602

11SPAE057568 1 1C01CY1FB11M1  
ISRAEL ATOMIC ENERGY COM  
LICENSING DIVISION  
DAN LITAI  
ADMINISTRATOR  
PO BOX 7061  
TEL AVIV 61070 ISRAEL

127284080303 1 1C01CY1FB11M1  
ITT GRINNELL CORP  
INDUSTRIAL PIPING  
R B PERLIEN  
VICE PRES & DIRECTOR OF QA  
1250 W MOUNTAIN ST  
KERNEPSVILLE NC 27284

102901038044 1 1C01CY1FB11M1  
ITT GRINNELL CORP  
ALLAN S JANNARELLI  
260 WEST EXCHANGE ST  
PROVIDENCE RI 02901

144483103393 1 1C01CY1FB11M1  
ITT GRINNELL CORP  
PIPE HANGER DIV  
DOUG SEWELL  
VICE PRESIDENT & DIRECTOR QA  
621 CANA AVE  
WARREN OH 44483

119116103374 1 1C01CY1FB11M1  
J E LONERGAN CO  
T A MICHY  
QA MANAGER  
10000 SANDMEYER LANE  
PHILADELPHIA PA 19116

132201003136 1 1C01CY1FB11M1  
JACKSONVILLE ELEC AUTHORITY  
RESEARCH & ENVIR AFFAIRS  
GEORGE RIZK  
233 W DUVAL ST  
5TH FL  
JACKSONVILLE FL 32201

101605053050 1 1C01CY1FB11M1  
JAMES SPURY CORP  
F W FREUZINGER  
CORP QA MANAGER  
640 LINCOLN STREET  
WORCHESTER MA 01605

170160103259 1 1C01CY1FB11M1  
JOHN COA & HIGGINS  
NUCLEAR ADVISORY GROUP  
THEODORE D RUDDOCK  
VICE PRESIDENT  
PO BOX 50183  
NEW ORLEANS LA 70160

119154028066 1 1C01CY1FB11M1  
JOHNSON CONTROLS INC  
J L POLLOCK  
10601 DECATUR RD  
PHILADELPHIA PA 19154

154241104215 1 1C01CY1FB11M1  
JOSEPH MANN LIBRARY  
ADULT SERVICES  
JOAN SCHMID  
HEAD  
1516 16TH ST  
TWO RIVERS WI 54241

1JAPAN053044 1 1C01CY1FB11M1  
ISHIKAWAJIMA HARIMA HEAVY IND  
NUCLEAR POWER DIVISION  
K TOMITA  
1 SHIN-NAKAHARA-CHO  
NO 235  
ISOGO KU YOKOHAMA JAPAN

102901038043 1 1C01CY1FB11M1  
ITT GRINNELL CORP  
EDWARD BEFFA  
260 WEST EXCHANGE STREET  
PROVIDENCE RI 02901

117603053048 1 1C01CY1FB11M1  
ITT GRINNELL CORP  
DIA-FLO DIVISION  
E C BROOME  
CONTRACTS MGR  
33 CENTERVILLE ROAD  
LANCASTER PA 17603

102901000128 1 1C01CY1FB11M1  
ITT GRINNELL CORP  
A S LAURENSEN  
260 WEST EXCHANGE ST  
PROVIDENCE RI 02901

102916053046 1 1C01CY1FB11M1  
ITT GRINNELL CORP  
PIPE HANGER DIVISION  
THOMAS SMITH  
ENGR MGR  
260 W EXCHANGE ST  
PROVIDENCE RI 02916

194041065237 1 1C01CY1FB11M1  
JACK R BENJAMIN & ASSOC  
COURT HOUSE PLAZA BLDG  
FRED A WEBSTER  
MTN BAY PLAZA 444 CASTRO ST  
SUITE 501  
MOUNTAIN VIEW CA 94041

143201104170 1 1C01CY1FB11M1  
JACCOX ASSOCIATES  
JOHN W JACCOX  
1445 SUMMIT ST  
COLUMBUS OH 43201

137922093805 1 1C01CY1FB11M1  
JEFF ASSOCIATES INC  
MYRON CASABA  
1000 TECHNOLOGY PARK CENTER  
KNOXVILLE TN 37922

190224052929 1 1C01CY1FB11M1  
JOHNSON CONTROLS INC  
ENGINEERED PIPING SYST DIV  
R L JORDAN  
MGR OF QA  
1707 W COMPTON BLVD  
COMPTON CA 90224

191740053052 1 1C01CY1FB11M1  
JOHNSTON PUMP/GEN VALVE INC  
QUALITY ASSURANCE  
GARY M CERVANTES  
MANAGER  
1775 EAST ALLEN AVE  
GLEN DORA CA 91740

108104091563 1 1C01CY1FB11M1  
JOSEPH OAT & SONS INC  
JOHN BENCKERT  
QA MANAGER  
2500 BROADWAY DRAWER 10  
CAMDEN NJ 08104

177252103596 1 1C01CY1FB11M1  
JOY MANUFACTURING CO  
W-K-M  
R V HOPKINS  
MGP-RELIABILITY&PRODUCT ASSR  
3663 BRIAIPARK  
HOUSTON TX 77042

177252103596 1 1C01CY1FB11M1  
JOY MANUFACTURING CO  
W K M DIVISION  
OTIS MCDANIEL  
MANAGER-QA & INSPECTION  
PO BOX 2117  
HOUSTON TX 77252

120772092194 1 1C01CY1FB11M1  
JRA ASSOCIATES  
G G WILLIAMS  
MANAGER-INFORMATION SVC  
1304 REDDITCH CT  
LARGO MD 20772

180933100784 1 1C01CY1FB11M1  
KAMAN INSTRUMENTATION CORP  
ENGINEERED SYSTEMS DIV  
LAWRENCE A STANLEY  
VICE PRES & GENERAL MANAGER  
PO BOX 7463  
COLORADO SPRINGS CO 80933

120036032157 1 1C01CY1FB11M1  
KANSAS ELECTRIC POWER CO INC  
MANAGER  
1100 17TH ST NW  
SUITE 500  
WASHINGTON DC 20036

164141080935 1 1C01CY1FB11M1  
KANSAS CITY POWER & LIGHT CO  
J M EVANS  
VICE PRESIDENT  
PO BOX 679  
KANSAS CITY MO 64141

166620010140 1 1C01CY1FB11M1  
KANSAS DEPT OF HEALTH & ENVIRON  
BUREAU OF AIR QUAL & RAD CTRL  
DAVID ROMANO  
CHIEF PUBLIC HEALTH PHYSICIST  
FORBES FIELD BLDG 740  
TOPEKA KS 66620

166639080574 1 1C01CY1FB11M1  
KANSAS GAS & ELEC CO  
WOLF CREEK 1 NPS  
PLANT MANAGER  
BURLINGTON MO 64639

167201005266 1 1C01CY1FB11M1  
KANSAS GAS & ELEC CO  
GLENN L ROESTER  
VICE PRESIDENT-NUCLEAR  
PO BOX 208  
WICHITA KS 67201

132751082448 1 1C01CY1FB11M1  
KEMCO UNIT CONTROL INC  
JAMES A THOMSON  
MANAGER-QUALITY CONTROL  
130 ATLANTIC DR  
MAITLAND FL 32751

160049091566 1 1C01CY1FB11M1  
KEMPER GROUP  
LOE/STIG GA GROUP  
J E AYOTTE  
PT 20 & KEMPER DR  
L-6  
LONG GROVE IL 60049

140621093738 1 1C01CY1FB11M1  
KENTUCKY DEPT FOR HEALTH SVCS  
RADIATION CONTROL SECTION  
DONALD F HUGHES  
COMMISSIONER  
275 E MAIN ST  
FRANKFORT KY 40621

140578064892 1 1C01CY1FB11M1  
KENTUCKY DEPT OF ENERGY  
BUREAU OF ENGY PHOD & UTIL  
RONALD L SANDERS  
IRON WORKS PIKE  
POB 11888  
LEXINGTON KY 40578

106483053054 1 1C01CY1FB11M1  
KERITE CO  
ENGINEERING DEPT  
R E FLEMING  
NUCLEAR DEVELOPMENT ENGINEER  
49 DAY ST PO BOX 452  
SEYMOUR CT 06483

106483091719 1 1C01CY1FB11M1  
KERITE CO  
J M RICHARDS  
QA MANAGER  
49 DAY ST  
SEYMOUR CT 06483

115222064450 1 1C01CY1FB11M1  
KEROTEST MANUFACTURING CORP  
M MAKARCZYK  
QA MANAGER  
2525 LIBERTY AVE  
PITTSBURGH PA 15222

173125094443 1 1C01CY1FB11M1  
KERR MCGEE COPP  
NUC LICENSING & REGULATION  
J C STAUTER  
DIRECTOR  
KERR-MCGEE BLDG  
OKLAHOMA CITY OK 73125

1WGFRM091567 1 1C01CY1FB11M1  
KLEIN SCHANZLIN & BECKER AG  
U DOUM  
VICE PRESIDENT  
JOHANN KLEIN STRASSE 9  
PO 225  
D6710 FRANKENTHAL WGERMANY

11173 104715 1 1C01CY1FB11M1  
KLM ENGINEERING INC  
GARY I KRIEGER  
22 HUYLER RD  
SETAUKET NY 11733

130067103153 1 1C01CY1FB11M1  
KLOCKNER-MGELLER  
ATLANTA BRANCH  
HORST REMBERG  
REGIONAL TECHNICAL MANAGER  
1176 FRANKLIN RD SE  
MARIETTA GA 30067

1WGFRM093057 1 1C01CY1FB11M1  
KLOCKNER-WERK AG  
GEORGSMARIENWERKE  
W AUSTEL  
QA MANAGER  
PO BOX 27 80  
D 4500 OSNABRUCK WGERMANY

1WGFRM091568 1 1C01CY1FB11M1  
KLOCKNER-WERK AG  
GEORGSMARIENWERKE  
F BEIER  
DIRECTOR GENERAL  
POSTFACH 27 80  
D4500 OSNABRUCK WGERMANY