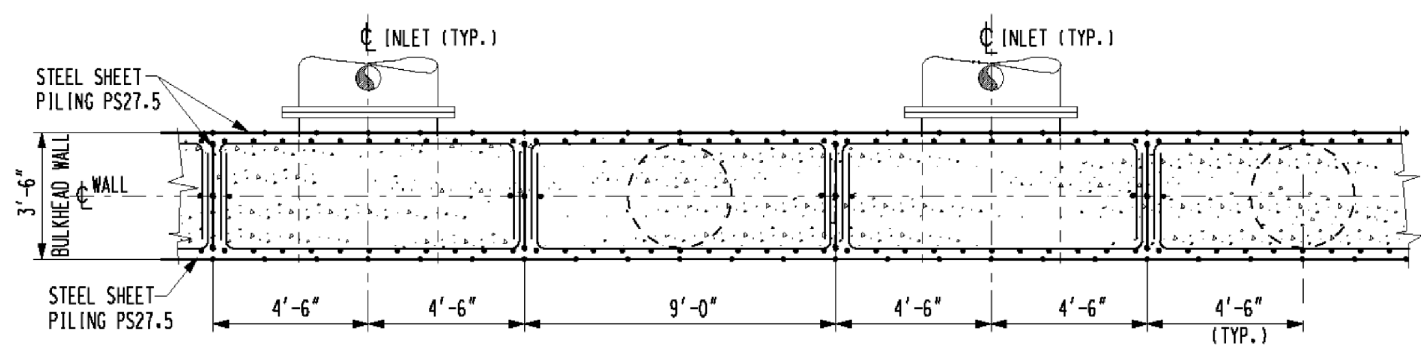


DETAIL "1"
PIPE IN WALL
SCALE: 1/4" = 1'-0"

FLOOR PLAN (EL. 700.0')

PRELIMINARY



TYPICAL BULKHEAD WALL
SHEET PILING PLAN
SCALE: 3/16" = 1'-0"

COMANCHE PEAK NUCLEAR POWER PLANT UNITS 3 AND 4	
Makeup Water Intake Structure FIGURE 3.4-4	
Rev 0	