

HEATING BOILER ROOM
LR NOTE 3

HEATING BOILER AUX PACKAGE AREA
(AUX BUILDING BASEMENT SOUTH END)
LR NOTE 3

NOTES:

- 1. * DENOTES ACCESSORIES & INTERCONNECTION WITH PIPING FURNISHED WITH EQUIPMENT
- 2. ** DENOTES INSTRUMENTS MOUNTED ON HEATING BOILER PANEL
- 3. B.V. (METS) BILL OF MATERIAL NO. DEARATOR AND BOILER & ASSOCIATED PIPING AND ACCESSORIES QUALITY ASSURANCE TYPE 2 UNLESS NOTED
- 4. VALVES SIZE SHOWN IN NORMAL POSITIONS WITH STEAM SUPPLIED FROM BLEED SYSTEM W/06.
- 5. ROOT VALVE NUMBERS WILL NOT BE SHOWN ON THIS DRAWING. THE OPERATION VALVE NUMBER CONTAINS THE SYSTEM DENOMINATOR, FOLLOWED BY THE INSTRUMENT NUMBER (I.E. SH-11007).
- 6. USE THIS DRAWING WITH OPERM-605-1

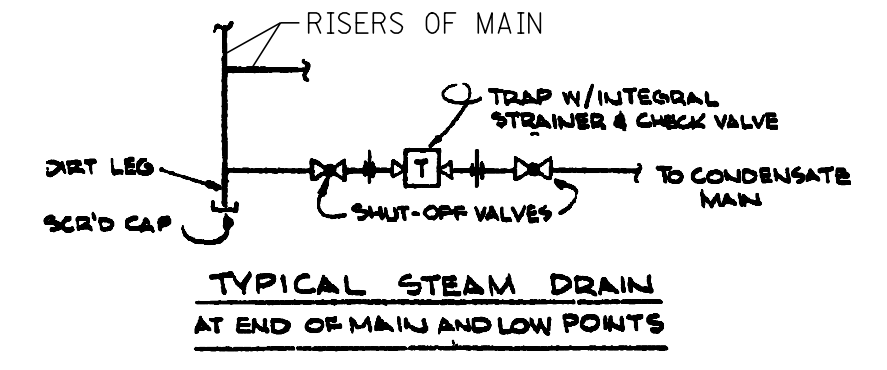
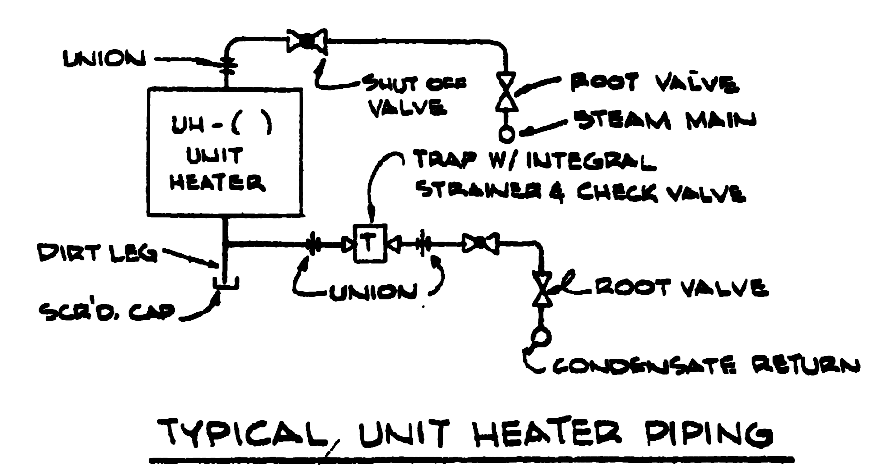
LR NOTES:

- 1. THE GAUGE GLASS IS INCLUDED IN THE COMPONENT GROUP SIGHT GLASSES.
- 2. PIPING ENTERS SGBT TANK ROOM.
- 3. THERE ARE NO SAFETY RELATED COMPONENTS LOCATED IN THIS AREA.

LICENSE RENEWAL DRAWING LEGEND	
	22/HS HEATING STEAM
	04/CW CIRCULATING WATER
	12/BS BLEED STEAM
	29/SS SECONDARY SAMPLING

IN SCOPE FOR LR PER 18CFR 54.4 (a) (2)

IN SCOPE FOR LR PER 18CFR 54.4 (a) (3)



DOMINION ENERGY KEWAUNEE, INC.
KEWAUNEE POWER STATION

LICENSE RENEWAL DRAWING
HEATING SYSTEM

HYBRID
CADD

APPROVED	DRAWN	DATE	DWG. NO.	REV.
JSW	10/21/00		LRM-605-2	0

REFERENCED PER MASTER DRAWING
OPERM-605-2

REV 'B' PER LAST UPDATE