

AUX. BLDG. AIR CONDITIONING SYSTEM
 QUALITY ASSURANCE TYPE 3 EXCEPT WHERE NOTED
 FUNCTION DESCRIPTION M-703 (AAC)

* - MANUAL ON - OFF REGISTERS FOR PERSONNEL COOLING NEAR ULTRASONIC FEED FLOW ELEMENTS.

LEGEND

- NON-STEAM EXCLUSION
- STEAM EXCLUSION
- NON-SV ZONE
- SV ZONE
- NON-SE NON-SV ZONE
- NON-SV ZONE
- DUCTED FLOW
- NON-DUCTED FLOW
- CONTROL
- CYLINDER OPERATED DAMPER
- AIR-OPERATED DAMPER
- FIRE DAMPER
- BD BACKDRAFT DAMPER
- MOTOR-OPERATED DAMPER
- BALANCING OR SHUTOFF DAMPER
- PRE-FILTER
- HEPA FILTER
- CHARCOAL FILTER
- COIL (WATER, STEAM OR REFRIGERANT)
- COIL (ELECTRIC)
- MOISTURE SEPARATOR

NOTE: DENOTES LIMIT OF ASSURANCE TYPE QUALITY SAFEGUARD EQUIPMENT

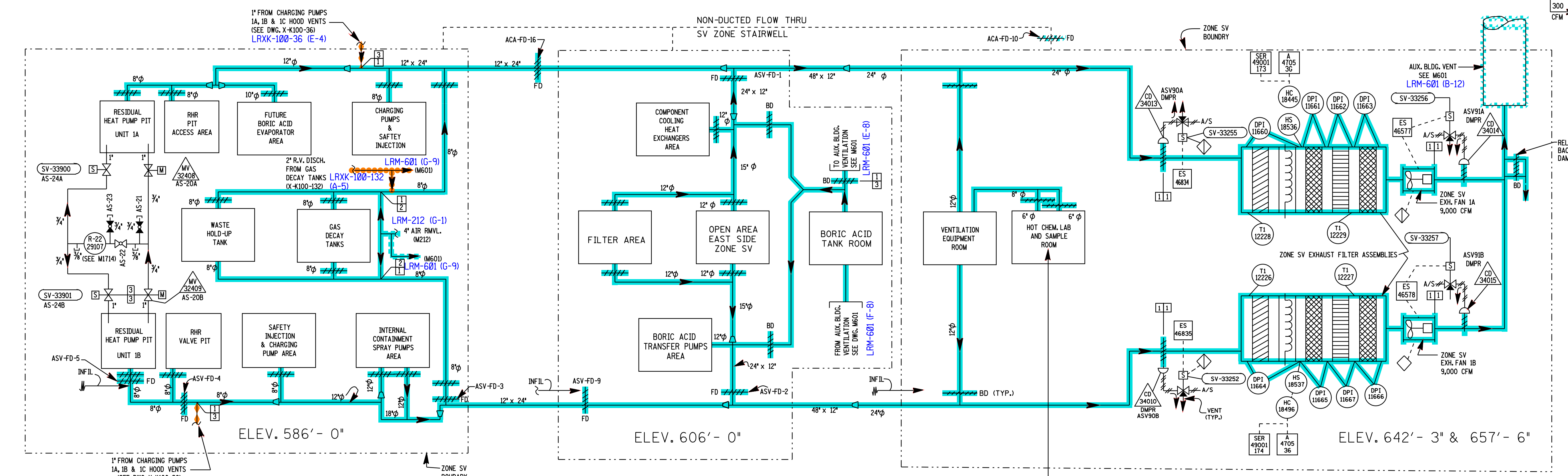
ROOT VALVE NUMBERS WILL NOT BE SHOWN ON THIS DRAWING. THE OPERATION VALVE NUMBER CONTAINS THE SYSTEM DESIGNATOR FOLLOWED BY THE INSTRUMENT NUMBER (I.E., SW-1007).

LR NOTES:

1. DAMPERS WITH AN 'ASV' SYSTEM DESIGNATOR HAVE BEEN ASSIGNED TO THE SYSTEM IN WHICH THEY FUNCTION.

LICENSE RENEWAL DRAWING LEGEND

- 14/ASV AUXILIARY BUILDING SPECIAL VENTILATION AND STEAM EXCLUSION
- 15/AAC AUXILIARY BUILDING AIR CONDITIONING
- 17/ACA AUXILIARY BUILDING VENTILATION
- 25/ACC CONTROL ROOM AIR CONDITIONING
- 32B/WD-GS GASEOUS WASTE PROCESSING AND DISCHARGE
- 35/CVC CHEMICAL & VOLUME CONTROL



ZONE SV EXHAUST SYSTEM
 ENTIRE SYSTEM QUALITY ASSURANCE TYPE 1 & STEAM EXCLUSION AREA
 FUNCTIONAL DESCRIPTION M-704 (SV)

DOMINION ENERGY KEWAUNEE, INC.
KEWAUNEE POWER STATION
LICENSE RENEWAL DRAWING
AUX BUILDING ZONE SV VENT & AIR CONDITIONING

APPROVED	DRAWN	DATE	REV.
CADD	JSW	08/27/80	0
REVIEWED	SCALE	LRM-604	