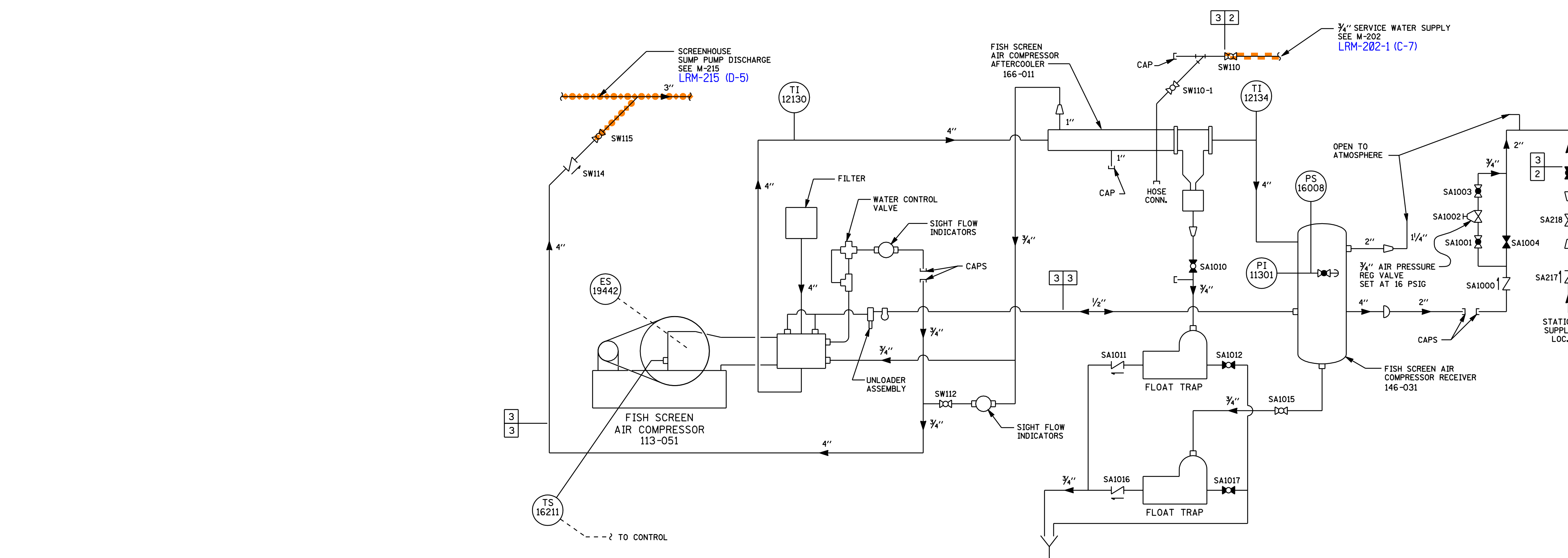
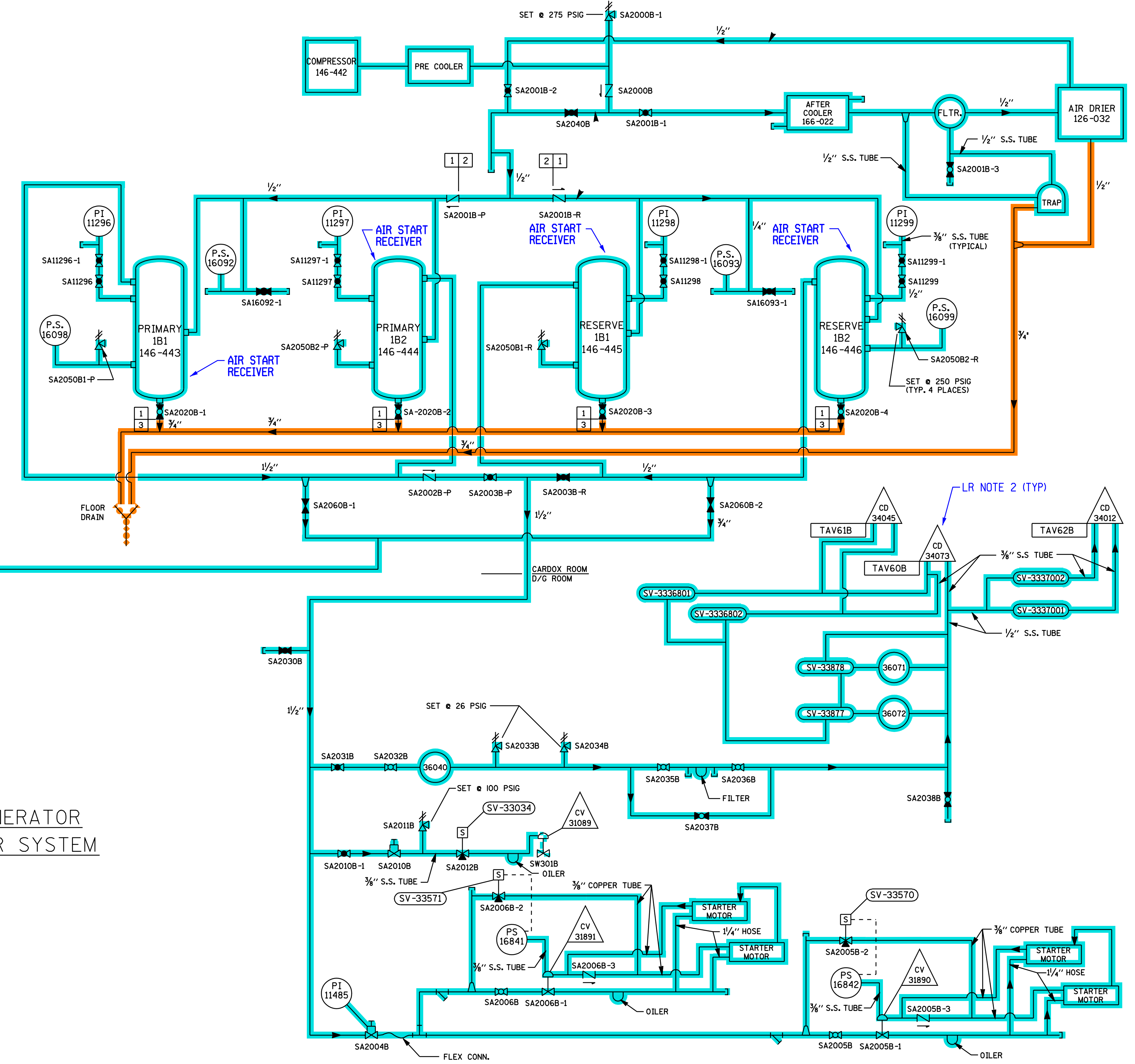


DIESEL GENERATOR STARTUP AIR SYSTEM



FISH SCREEN AIR COMPRESSOR SYSTEM (ABANDONED) (IN SCREENHOUSE)

- LR NOTES:
1. MANY OF THE COMPONENTS FOR THE DIESEL GENERATOR STARTUP AIR SYSTEM HAVE A "SA" SYSTEM DESIGNATOR IN THEIR EQUIPMENT NUMBER, HOWEVER, FOR LR PURPOSES, THE STARTUP AIR SYSTEM HAS BEEN INCLUDED IN THE DIESEL GENERATOR SYSTEM. THIS WAS DONE IN ORDER TO MAINTAIN CONSISTENCY WITH THE USAR AND SYSTEM DESCRIPTIONS.
 2. THE ACTUATORS ON THIS DRAWING ARE IN SCOPE AND ARE DESIGNATED BY A "CV" IN THE EQUIPMENT NUMBER. ACTUATORS ARE "ACTIVE" COMPONENTS AND THEREFORE DO NOT REQUIRE AGING MANAGEMENT REVIEW.

NOTES:

1. ALL PIPE C.S. UNLESS OTHERWISE NOTED.
2. OA TYPES AS NOTED.

LICENSE RENEWAL DRAWING LEGEND

	10/ODM DIESEL GENERATOR.
	02/SW SERVICE WATER
	30/MDS MISCELLANEOUS DRAINS AND SUMPS

IN SCOPE FOR LR PER 10CFR 54.4 (a) (2)

IN SCOPE FOR LR PER 10CFR 54.4 (a) (3)

DOMINION ENERGY KEWAUNEE, INC.
KEWAUNEE POWER STATION
LICENSE RENEWAL DRAWING
DIESEL GENERATOR STARTUP AIR
COMPRESSOR A & B AND FISH SCREEN
AIR COMPRESSOR SYSTEM

APPROVED	DRAWN	DWG. NO.	REV.
CADD	JSW	180/14/80	0
REVIEWED	SCALE	LRM-213-9	
REFERENCED PER MASTER DRAWING	OPERM-213-9		E
			REV 'E' PER LAST UPDATE