

Rancho Seco
Final Status Survey Summary Report
April 4, 2008
Turbine Building Piping System +0'
Survey Unit F8990073

Prepared By: Evin L. Brown Date: 4/4/08
FSS Engineer

Reviewed By: [Signature] Date: 4/7/08
Lead FSS Engineer

Approved By: [Signature] Date: 5-12-08
Dismantlement Superintendent, Radiological

FINAL STATUS SURVEY SUMMARY REPORT

Survey Unit:

F8990073, Turbine Building Piping System +0'

Survey Unit Description:

Operating History: This system collected clean water leakage and condensate from the turbine and routed it to the drain tank. This system was contaminated by radioactive system leakage into steam, feed and cooling water systems. Operating records and the HSA document occurrences of radioactive contamination associated with this system piping.

Site Characterization: Direct measurements were made of the interior surfaces of the system piping which confirmed the presence of plant-derived radionuclides. Direct measurements of the interior showed a mean gross activity level of 56,208 dpm/100 cm² and a maximum value of 680,000 dpm/100 cm². Based on the classification procedure (DSIP-0020) and levels of gross activity reported, the system was determined to be a Class 1 system.

HSA Events: ODR-800111, 871122.

Survey Unit Design Information:

The Survey Unit Design Parameters are presented in Table 1 below. The survey unit and measurement locations are depicted on the maps in Attachment 1. Direct measurement locations were spaced at 15cm intervals and 180 m² were scanned for 100% coverage. The instrumentation used for the survey along with the MDC values are listed in Tables 2-1 and 2-2 in Attachment 2.

Table 1. Survey Unit Design Parameters

Survey Design Parameter	Value	Comment
Survey Area:	F899	Turbine Building Piping System +0'
Survey Unit:	0073	Structure Surface
Class:	1	LTP Table 5-4
SU Area (m²):	180	
Evaluator:	Erin L. Brown	
DCGL (dpm/100 cm²):	100000	Gross Activity DCGL
Area Factor:	N/A	
Design DCGL_{emc} (dpm/100 cm²):	100000	Class 1
LBGR (dpm/100 cm²):	50000	Default = 50% DCGL
Design Sigma (dpm/100 cm²):	23464	
Type I Error:	0.05	
Type II Error:	0.05	
Predominant Nuclide:	Cs-137	
Sample Area (m²):	N/A	Class 1
Scan Area (m²):	180	
Scan Coverage (%):	100%	Class 1
Z_{1-α}:	1.645	
Z_{1-β}:	1.645	
Sign P:	0.97725	
Calculated Relative Shift:	2.1	
Relative Shift Used:	2.1	Uses 3.0 if Relative Shift is >3
N-Value:	12	
Design N-Value + 20%:	15	NUREG-1575 Table 5-5
Design Min Samples N:	26	Class 1
Grid Spacing L:	N/A	Class 1

Survey Results:

A total of 3997 direct measurements were made in F8990073. The results including mean, median, standard deviation and range are shown in Table 2. All direct measurements were less than the DCGL. None of the measurements indicated areas of elevated activity. Survey activity ranged from 818 to 50087 dpm/100 cm², based on the pipe detector efficiency.

Table 2. Direct Measurement Results

Measurement ID	Gross Activity (dpm/100 cm ²)
F8990073-M0001GI	3020
F8990073-M0002GI	2062
F8990073-M0003GI	2353
F8990073-M0004GI	4644
F8990073-M0005GI	8568
F8990073-M0006GI	24215
F8990073-M0007GI	4284
F8990073-M0008GI	2674
F8990073-M0009GI	3387
F8990073-M0010GI	3922
F8990073-M0011GI	3686
F8990073-M0012GI	4289
F8990073-M0013GI	11470
F8990073-M0014GI	7438
F8990073-M0015GI	8228
F8990073-M0016GI	2730
F8990073-M0017GI	2093
F8990073-M0018GI	1851
F8990073-M0019GI	1841
F8990073-M0020GI	1759
F8990073-M0021GI	2013
F8990073-M0022GI	1899
F8990073-M0023GI	1938
F8990073-M0024GI	1976
F8990073-M0025GI	2392
F8990073-M0026GI	3591
F8990073-M0027GI	14299
F8990073-M0028GI	24340
F8990073-M0029GI	20512
F8990073-M0030GI	4807
F8990073-M0031GI	2467
F8990073-M0032GI	3180
F8990073-M0033GI	6480
F8990073-M0034GI	13636
F8990073-M0035GI	16715
F8990073-M0036GI	3147
F8990073-M0037GI	4603
F8990073-M0038GI	3307
F8990073-M0039GI	5373
F8990073-M0040GI	2564

F8990073-M0041GI	2049
F8990073-M0042GI	2071
F8990073-M0043GI	2196
F8990073-M0044GI	2291
F8990073-M0045GI	1838
F8990073-M0046GI	2230
F8990073-M0047GI	5348
F8990073-M0048GI	4138
F8990073-M0049GI	5402
F8990073-M0050GI	2461
F8990073-M0051GI	2413
F8990073-M0052GI	2428
F8990073-M0053GI	2413
F8990073-M0054GI	2275
F8990073-M0055GI	2151
F8990073-M0056GI	2267
F8990073-M0057GI	2202
F8990073-M0058GI	2730
F8990073-M0059GI	9619
F8990073-M0060GI	7218
F8990073-M0061GI	8900
F8990073-M0062GI	3793
F8990073-M0063GI	4796
F8990073-M0064GI	2416
F8990073-M0065GI	1966
F8990073-M0066GI	2194
F8990073-M0067GI	2235
F8990073-M0068GI	2295
F8990073-M0069GI	2275
F8990073-M0070GI	2308
F8990073-M0071GI	2400
F8990073-M0072GI	2377
F8990073-M0073GI	2327
F8990073-M0074GI	2566
F8990073-M0075GI	3191
F8990073-M0076GI	11875
F8990073-M0077GI	5503
F8990073-M0078GI	5556
F8990073-M0079GI	3281
F8990073-M0080GI	5350
F8990073-M0081GI	16977
F8990073-M0082GI	3567
F8990073-M0083GI	5932
F8990073-M0084GI	3660
F8990073-M0085GI	3526
F8990073-M0086GI	3309
F8990073-M0087GI	3244
F8990073-M0088GI	2789
F8990073-M0089GI	3356
F8990073-M0090GI	5300
F8990073-M0091GI	3176
F8990073-M0092GI	3378
F8990073-M0093GI	3136
F8990073-M0094GI	3190
F8990073-M0095GI	3139
F8990073-M0096GI	3566

F8990073-M0097GI	3508
F8990073-M0098GI	3721
F8990073-M0099GI	9895
F8990073-M0100GI	17489
F8990073-M0101GI	31987
F8990073-M0103GI	7988
F8990073-M0104GI	4021
F8990073-M0105GI	3522
F8990073-M0106GI	3215
F8990073-M0107GI	2496
F8990073-M0108GI	3125
F8990073-M0109GI	4306
F8990073-M0110GI	3428
F8990073-M0111GI	3913
F8990073-M0112GI	7301
F8990073-M0113GI	29010
F8990073-M0114GI	33244
F8990073-M0115GI	10571
F8990073-M0116GI	4534
F8990073-M0117GI	15809
F8990073-M0118GI	3631
F8990073-M0119GI	3338
F8990073-M0120GI	3353
F8990073-M0121GI	3056
F8990073-M0122GI	2962
F8990073-M0123GI	3396
F8990073-M0124GI	2738
F8990073-M0125GI	3114
F8990073-M0126GI	3891
F8990073-M0127GI	3154
F8990073-M0128GI	3154
F8990073-M0129GI	3074
F8990073-M0130GI	3136
F8990073-M0131GI	3447
F8990073-M0132GI	3754
F8990073-M0133GI	10527
F8990073-M0134GI	3407
F8990073-M0135GI	3284
F8990073-M0136GI	3522
F8990073-M0137GI	7262
F8990073-M0138GI	12807
F8990073-M0139GI	3410
F8990073-M0140GI	3204
F8990073-M0141GI	3074
F8990073-M0142GI	2995
F8990073-M0143GI	3349
F8990073-M0144GI	3660
F8990073-M0145GI	3783
F8990073-M0146GI	6539
F8990073-M0147GI	17605
F8990073-M0148GI	48645
F8990073-M0149GI	50087
F8990073-M0151GI	9642
F8990073-M0152GI	4357
F8990073-M0153GI	3403
F8990073-M0154GI	3569

F8990073-M0155GI	3353
F8990073-M0156GI	4606
F8990073-M0157GI	30473
F8990073-M0158GI	12652
F8990073-M0159GI	42543
F8990073-M0160GI	28580
F8990073-M0161GI	41781
F8990073-M0162GI	32800
F8990073-M0163GI	2754
F8990073-M0164GI	1442
F8990073-M0165GI	1453
F8990073-M0166GI	1630
F8990073-M0167GI	1522
F8990073-M0168GI	1767
F8990073-M0169GI	1563
F8990073-M0170GI	1655
F8990073-M0171GI	1692
F8990073-M0172GI	1623
F8990073-M0173GI	1653
F8990073-M0174GI	1813
F8990073-M0175GI	1817
F8990073-M0176GI	1983
F8990073-M0177GI	2028
F8990073-M0178GI	2138
F8990073-M0179GI	2866
F8990073-M0180GI	3895
F8990073-M0181GI	2952
F8990073-M0182GI	6390
F8990073-M0183GI	2538
F8990073-M0185GI	7442
F8990073-M0186GI	3949
F8990073-M0187GI	3732
F8990073-M0188GI	3627
F8990073-M0189GI	3204
F8990073-M0190GI	6835
F8990073-M0191GI	13941
F8990073-M0192GI	1691
F8990073-M0193GI	2235
F8990073-M0194GI	3073
F8990073-M0195GI	2828
F8990073-M0196GI	2885
F8990073-M0197GI	2895
F8990073-M0198GI	3059
F8990073-M0199GI	3049
F8990073-M0200GI	3276
F8990073-M0201GI	2784
F8990073-M0202GI	2529
F8990073-M0203GI	2881
F8990073-M0204GI	2943
F8990073-M0205GI	3059
F8990073-M0206GI	3020
F8990073-M0207GI	2905
F8990073-M0208GI	3054
F8990073-M0209GI	2919
F8990073-M0210GI	3011
F8990073-M0211GI	3247

F8990073-M0212GI	2741
F8990073-M0213GI	2943
F8990073-M0214GI	2587
F8990073-M0215GI	2645
F8990073-M0216GI	2688
F8990073-M0217GI	3011
F8990073-M0218GI	2697
F8990073-M0219GI	2784
F8990073-M0220GI	2693
F8990073-M0221GI	2351
F8990073-M0222GI	3401
F8990073-M0223GI	8227
F8990073-M0224GI	16440
F8990073-M0225GI	5039
F8990073-M0226GI	2158
F8990073-M0227GI	2731
F8990073-M0228GI	2929
F8990073-M0229GI	2775
F8990073-M0230GI	2606
F8990073-M0231GI	4935
F8990073-M0232GI	3356
F8990073-M0233GI	3717
F8990073-M0234GI	3779
F8990073-M0235GI	3638
F8990073-M0236GI	3869
F8990073-M0237GI	3804
F8990073-M0238GI	4035
F8990073-M0239GI	3707
F8990073-M0240GI	3790
F8990073-M0241GI	3808
F8990073-M0242GI	3826
F8990073-M0243GI	3671
F8990073-M0244GI	3848
F8990073-M0245GI	3530
F8990073-M0246GI	3414
F8990073-M0247GI	2540
F8990073-M0248GI	3244
F8990073-M0249GI	6019
F8990073-M0251GI	2360
F8990073-M0252GI	2765
F8990073-M0253GI	2697
F8990073-M0254GI	2726
F8990073-M0255GI	2707
F8990073-M0256GI	2428
F8990073-M0257GI	2953
F8990073-M0258GI	3295
F8990073-M0259GI	3141
F8990073-M0260GI	3251
F8990073-M0261GI	3145
F8990073-M0262GI	2885
F8990073-M0263GI	2678
F8990073-M0264GI	2317
F8990073-M0265GI	2953
F8990073-M0266GI	2900
F8990073-M0267GI	1676
F8990073-M0268GI	2240

F8990073-M0269GI	2587
F8990073-M0270GI	2717
F8990073-M0271GI	2486
F8990073-M0272GI	2736
F8990073-M0273GI	2929
F8990073-M0274GI	2697
F8990073-M0275GI	2982
F8990073-M0276GI	3184
F8990073-M0277GI	2529
F8990073-M0278GI	2524
F8990073-M0279GI	2596
F8990073-M0280GI	2543
F8990073-M0281GI	2553
F8990073-M0282GI	2630
F8990073-M0283GI	2823
F8990073-M0284GI	2741
F8990073-M0285GI	2818
F8990073-M0286GI	2577
F8990073-M0287GI	2278
F8990073-M0288GI	3805
F8990073-M0289GI	1961
F8990073-M0290GI	2938
F8990073-M0291GI	2837
F8990073-M0292GI	2856
F8990073-M0293GI	2741
F8990073-M0294GI	2909
F8990073-M0295GI	3054
F8990073-M0296GI	3117
F8990073-M0297GI	3174
F8990073-M0298GI	3237
F8990073-M0299GI	3338
F8990073-M0300GI	3295
F8990073-M0301GI	2794
F8990073-M0302GI	2673
F8990073-M0303GI	3256
F8990073-M0304GI	2261
F8990073-M0305GI	2041
F8990073-M0306GI	2065
F8990073-M0307GI	2424
F8990073-M0308GI	5576
F8990073-M0309GI	5722
F8990073-M0310GI	5486
F8990073-M0311GI	2766
F8990073-M0312GI	2620
F8990073-M0313GI	2741
F8990073-M0314GI	2571
F8990073-M0315GI	2743
F8990073-M0316GI	2629
F8990073-M0317GI	2599
F8990073-M0318GI	2876
F8990073-M0319GI	2943
F8990073-M0320GI	3188
F8990073-M0321GI	3531
F8990073-M0322GI	3214
F8990073-M0323GI	3705
F8990073-M0324GI	3757

F8990073-M0325GI	3645
F8990073-M0326GI	3462
F8990073-M0327GI	3492
F8990073-M0328GI	3841
F8990073-M0329GI	3970
F8990073-M0330GI	7742
F8990073-M0331GI	4521
F8990073-M0332GI	4549
F8990073-M0333GI	2710
F8990073-M0334GI	1776
F8990073-M0335GI	1727
F8990073-M0336GI	1903
F8990073-M0337GI	1815
F8990073-M0338GI	1630
F8990073-M0339GI	2011
F8990073-M0340GI	3085
F8990073-M0341GI	3501
F8990073-M0342GI	3798
F8990073-M0343GI	2306
F8990073-M0344GI	1959
F8990073-M0345GI	2133
F8990073-M0346GI	2282
F8990073-M0347GI	2702
F8990073-M0348GI	3703
F8990073-M0349GI	5610
F8990073-M0350GI	4316
F8990073-M0351GI	6041
F8990073-M0352GI	2687
F8990073-M0353GI	2568
F8990073-M0354GI	2514
F8990073-M0355GI	2329
F8990073-M0356GI	2077
F8990073-M0357GI	2112
F8990073-M0358GI	3438
F8990073-M0359GI	2687
F8990073-M0360GI	3432
F8990073-M0361GI	2002
F8990073-M0362GI	1923
F8990073-M0363GI	3365
F8990073-M0364GI	3242
F8990073-M0365GI	1966
F8990073-M0366GI	1750
F8990073-M0367GI	1882
F8990073-M0368GI	1668
F8990073-M0369GI	1526
F8990073-M0370GI	1554
F8990073-M0371GI	1535
F8990073-M0372GI	2246
F8990073-M0373GI	7326
F8990073-M0374GI	2456
F8990073-M0375GI	1518
F8990073-M0376GI	1505
F8990073-M0377GI	1449
F8990073-M0378GI	1516
F8990073-M0379GI	1546
F8990073-M0380GI	1359

F8990073-M0381GI	1615
F8990073-M0382GI	1606
F8990073-M0383GI	1514
F8990073-M0384GI	1597
F8990073-M0385GI	1617
F8990073-M0386GI	1625
F8990073-M0387GI	1645
F8990073-M0388GI	2077
F8990073-M0389GI	1950
F8990073-M0390GI	2303
F8990073-M0391GI	1811
F8990073-M0392GI	1916
F8990073-M0393GI	3961
F8990073-M0394GI	2093
F8990073-M0395GI	2097
F8990073-M0396GI	2168
F8990073-M0397GI	1492
F8990073-M0398GI	1703
F8990073-M0399GI	2133
F8990073-M0400GI	2387
F8990073-M0401GI	2510
F8990073-M0402GI	2022
F8990073-M0403GI	1707
F8990073-M0404GI	1472
F8990073-M0405GI	1754
F8990073-M0406GI	1688
F8990073-M0407GI	1507
F8990073-M0408GI	1570
F8990073-M0409GI	1490
F8990073-M0410GI	1664
F8990073-M0411GI	1677
F8990073-M0412GI	1961
F8990073-M0413GI	2127
F8990073-M0414GI	3162
F8990073-M0415GI	3395
F8990073-M0416GI	3346
F8990073-M0417GI	2829
F8990073-M0418GI	2502
F8990073-M0419GI	2528
F8990073-M0420GI	6325
F8990073-M0421GI	3240
F8990073-M0422GI	4837
F8990073-M0425GI	1845
F8990073-M0426GI	1697
F8990073-M0427GI	1627
F8990073-M0428GI	1737
F8990073-M0429GI	1541
F8990073-M0430GI	1740
F8990073-M0431GI	1748
F8990073-M0432GI	1761
F8990073-M0433GI	1811
F8990073-M0434GI	1877
F8990073-M0435GI	1858
F8990073-M0436GI	1819
F8990073-M0437GI	1563
F8990073-M0438GI	1658

F8990073-M0439GI	1795
F8990073-M0440GI	2077
F8990073-M0441GI	2721
F8990073-M0442GI	2677
F8990073-M0443GI	3754
F8990073-M0444GI	4064
F8990073-M0445GI	2977
F8990073-M0446GI	3468
F8990073-M0447GI	2565
F8990073-M0448GI	2962
F8990073-M0449GI	2934
F8990073-M0450GI	3089
F8990073-M0451GI	3024
F8990073-M0452GI	2800
F8990073-M0453GI	3324
F8990073-M0454GI	2941
F8990073-M0455GI	3006
F8990073-M0456GI	3154
F8990073-M0457GI	2757
F8990073-M0458GI	3555
F8990073-M0459GI	3783
F8990073-M0460GI	3970
F8990073-M0461GI	3475
F8990073-M0462GI	3273
F8990073-M0463GI	2973
F8990073-M0464GI	2887
F8990073-M0465GI	2728
F8990073-M0466GI	2760
F8990073-M0467GI	3107
F8990073-M0468GI	2619
F8990073-M0469GI	2811
F8990073-M0470GI	2688
F8990073-M0471GI	3046
F8990073-M0472GI	3132
F8990073-M0473GI	2854
F8990073-M0474GI	2995
F8990073-M0475GI	2843
F8990073-M0476GI	2648
F8990073-M0477GI	1234
F8990073-M0478GI	1393
F8990073-M0479GI	1270
F8990073-M0480GI	1455
F8990073-M0481GI	1346
F8990073-M0482GI	1444
F8990073-M0483GI	1537
F8990073-M0484GI	1464
F8990073-M0485GI	1324
F8990073-M0486GI	1414
F8990073-M0487GI	1466
F8990073-M0488GI	1419
F8990073-M0489GI	1369
F8990073-M0490GI	1498
F8990073-M0491GI	1434
F8990073-M0492GI	1610
F8990073-M0494GI	3141
F8990073-M0495GI	2962

F8990073-M0496GI	2803
F8990073-M0497GI	2818
F8990073-M0498GI	2828
F8990073-M0499GI	2172
F8990073-M0500GI	2577
F8990073-M0501GI	2278
F8990073-M0502GI	2240
F8990073-M0503GI	2129
F8990073-M0504GI	2288
F8990073-M0506GI	3858
F8990073-M0507GI	2885
F8990073-M0508GI	2842
F8990073-M0509GI	2914
F8990073-M0510GI	2182
F8990073-M0511GI	2168
F8990073-M0512GI	2375
F8990073-M0513GI	2312
F8990073-M0514GI	2726
F8990073-M0515GI	2823
F8990073-M0516GI	2987
F8990073-M0517GI	2736
F8990073-M0518GI	2341
F8990073-M0519GI	2091
F8990073-M0520GI	2201
F8990073-M0521GI	2269
F8990073-M0522GI	1999
F8990073-M0523GI	2192
F8990073-M0524GI	1912
F8990073-M0525GI	2389
F8990073-M0526GI	2779
F8990073-M0527GI	2803
F8990073-M0528GI	3039
F8990073-M0529GI	2823
F8990073-M0530GI	2134
F8990073-M0531GI	1879
F8990073-M0532GI	1951
F8990073-M0533GI	2312
F8990073-M0534GI	1798
F8990073-M0535GI	1673
F8990073-M0536GI	1637
F8990073-M0537GI	1462
F8990073-M0538GI	1614
F8990073-M0539GI	1397
F8990073-M0540GI	1239
F8990073-M0541GI	2601
F8990073-M0542GI	2919
F8990073-M0543GI	2982
F8990073-M0544GI	3073
F8990073-M0545GI	2370
F8990073-M0546GI	2664
F8990073-M0547GI	1975
F8990073-M0548GI	2144
F8990073-M0549GI	1961
F8990073-M0550GI	1956
F8990073-M0551GI	1835
F8990073-M0552GI	2013

F8990073-M0553GI	3054
F8990073-M0554GI	2649
F8990073-M0555GI	2837
F8990073-M0556GI	2847
F8990073-M0557GI	1951
F8990073-M0558GI	1840
F8990073-M0559GI	1835
F8990073-M0560GI	1855
F8990073-M0561GI	2486
F8990073-M0562GI	2760
F8990073-M0563GI	2553
F8990073-M0564GI	2380
F8990073-M0565GI	2076
F8990073-M0566GI	1898
F8990073-M0567GI	2004
F8990073-M0568GI	2100
F8990073-M0569GI	1153
F8990073-M0570GI	1443
F8990073-M0571GI	1548
F8990073-M0572GI	1318
F8990073-M0573GI	1157
F8990073-M0574GI	1400
F8990073-M0575GI	1186
F8990073-M0576GI	1232
F8990073-M0577GI	1219
F8990073-M0578GI	1328
F8990073-M0579GI	1183
F8990073-M0580GI	1364
F8990073-M0581GI	1351
F8990073-M0582GI	1400
F8990073-M0583GI	1337
F8990073-M0584GI	1347
F8990073-M0585GI	1150
F8990073-M0586GI	1199
F8990073-M0587GI	1252
F8990073-M0588GI	1324
F8990073-M0589GI	1206
F8990073-M0590GI	1190
F8990073-M0591GI	1285
F8990073-M0592GI	1209
F8990073-M0593GI	1318
F8990073-M0594GI	1262
F8990073-M0595GI	1298
F8990073-M0596GI	1360
F8990073-M0597GI	1275
F8990073-M0598GI	1354
F8990073-M0599GI	1403
F8990073-M0600GI	1781
F8990073-M0601GI	2320
F8990073-M0602GI	1597
F8990073-M0603GI	1489
F8990073-M0604GI	1886
F8990073-M0605GI	1840
F8990073-M0606GI	1222
F8990073-M0607GI	1160
F8990073-M0608GI	1239

F8990073-M0609GI	1351
F8990073-M0610GI	1324
F8990073-M0611GI	1278
F8990073-M0612GI	1344
F8990073-M0613GI	2060
F8990073-M0614GI	5044
F8990073-M0615GI	4509
F8990073-M0616GI	3174
F8990073-M0617GI	3930
F8990073-M0618GI	4361
F8990073-M0619GI	1853
F8990073-M0620GI	1469
F8990073-M0621GI	1311
F8990073-M0622GI	1824
F8990073-M0623GI	1788
F8990073-M0624GI	1597
F8990073-M0625GI	1564
F8990073-M0626GI	1637
F8990073-M0627GI	2862
F8990073-M0628GI	2938
F8990073-M0629GI	1761
F8990073-M0630GI	1462
F8990073-M0631GI	1489
F8990073-M0632GI	1492
F8990073-M0633GI	1499
F8990073-M0634GI	1426
F8990073-M0635GI	1334
F8990073-M0636GI	1439
F8990073-M0637GI	1479
F8990073-M0638GI	1347
F8990073-M0639GI	1387
F8990073-M0640GI	1495
F8990073-M0641GI	1390
F8990073-M0642GI	1344
F8990073-M0643GI	1689
F8990073-M0644GI	1587
F8990073-M0645GI	1646
F8990073-M0646GI	2106
F8990073-M0647GI	5035
F8990073-M0648GI	2984
F8990073-M0649GI	3188
F8990073-M0650GI	3020
F8990073-M0651GI	1314
F8990073-M0652GI	1137
F8990073-M0653GI	1305
F8990073-M0654GI	1334
F8990073-M0655GI	1476
F8990073-M0656GI	1377
F8990073-M0657GI	1515
F8990073-M0658GI	4193
F8990073-M0659GI	3533
F8990073-M0660GI	3115
F8990073-M0661GI	2484
F8990073-M0662GI	1505
F8990073-M0663GI	1354
F8990073-M0664GI	1715

F8990073-M0665GI	3227
F8990073-M0666GI	2639
F8990073-M0667GI	2915
F8990073-M0668GI	1265
F8990073-M0669GI	1186
F8990073-M0670GI	1295
F8990073-M0671GI	1646
F8990073-M0672GI	2816
F8990073-M0673GI	1679
F8990073-M0674GI	1321
F8990073-M0675GI	1847
F8990073-M0676GI	1824
F8990073-M0677GI	1226
F8990073-M0678GI	1360
F8990073-M0679GI	3575
F8990073-M0680GI	1242
F8990073-M0681GI	2383
F8990073-M0682GI	4328
F8990073-M0683GI	2639
F8990073-M0684GI	3934
F8990073-M0685GI	1604
F8990073-M0686GI	1219
F8990073-M0687GI	1190
F8990073-M0688GI	1591
F8990073-M0689GI	1610
F8990073-M0690GI	1568
F8990073-M0691GI	1426
F8990073-M0692GI	1265
F8990073-M0693GI	1186
F8990073-M0694GI	1314
F8990073-M0695GI	1374
F8990073-M0696GI	1213
F8990073-M0697GI	1255
F8990073-M0698GI	1265
F8990073-M0699GI	1367
F8990073-M0700GI	1561
F8990073-M0701GI	1117
F8990073-M0702GI	1443
F8990073-M0703GI	1193
F8990073-M0704GI	1403
F8990073-M0705GI	1331
F8990073-M0706GI	1387
F8990073-M0707GI	1387
F8990073-M0708GI	1262
F8990073-M0709GI	1278
F8990073-M0710GI	1318
F8990073-M0711GI	1351
F8990073-M0712GI	1275
F8990073-M0713GI	1157
F8990073-M0714GI	1170
F8990073-M0715GI	1311
F8990073-M0716GI	1173
F8990073-M0717GI	1183
F8990073-M0718GI	1390
F8990073-M0719GI	1360
F8990073-M0720GI	1380

F8990073-M0721GI	1462
F8990073-M0722GI	1390
F8990073-M0723GI	1167
F8990073-M0724GI	1124
F8990073-M0725GI	1252
F8990073-M0726GI	1130
F8990073-M0727GI	1331
F8990073-M0728GI	1245
F8990073-M0729GI	1351
F8990073-M0730GI	1328
F8990073-M0731GI	1255
F8990073-M0732GI	1482
F8990073-M0733GI	1153
F8990073-M0734GI	1255
F8990073-M0735GI	1393
F8990073-M0736GI	1354
F8990073-M0737GI	1337
F8990073-M0738GI	1222
F8990073-M0739GI	1236
F8990073-M0740GI	1209
F8990073-M0741GI	1107
F8990073-M0742GI	1190
F8990073-M0743GI	1124
F8990073-M0744GI	1124
F8990073-M0745GI	999
F8990073-M0746GI	1065
F8990073-M0747GI	1193
F8990073-M0748GI	1111
F8990073-M0749GI	1153
F8990073-M0750GI	1124
F8990073-M0751GI	1160
F8990073-M0752GI	1403
F8990073-M0753GI	1186
F8990073-M0754GI	1301
F8990073-M0755GI	1321
F8990073-M0756GI	1206
F8990073-M0757GI	1426
F8990073-M0758GI	1318
F8990073-M0759GI	1357
F8990073-M0760GI	1334
F8990073-M0761GI	1265
F8990073-M0762GI	1167
F8990073-M0763GI	1426
F8990073-M0764GI	1291
F8990073-M0765GI	2611
F8990073-M0766GI	3150
F8990073-M0767GI	2394
F8990073-M0768GI	2240
F8990073-M0769GI	2076
F8990073-M0770GI	2009
F8990073-M0771GI	2168
F8990073-M0772GI	2168
F8990073-M0773GI	2062
F8990073-M0774GI	2592
F8990073-M0775GI	2288
F8990073-M0776GI	2351

F8990073-M0777GI	2842
F8990073-M0778GI	2375
F8990073-M0779GI	2360
F8990073-M0780GI	1917
F8990073-M0781GI	1941
F8990073-M0782GI	2481
F8990073-M0783GI	2254
F8990073-M0784GI	1245
F8990073-M0785GI	1653
F8990073-M0786GI	1374
F8990073-M0787GI	1413
F8990073-M0788GI	1397
F8990073-M0789GI	1203
F8990073-M0790GI	1150
F8990073-M0791GI	1038
F8990073-M0792GI	1190
F8990073-M0793GI	1140
F8990073-M0794GI	1147
F8990073-M0795GI	1173
F8990073-M0796GI	1252
F8990073-M0797GI	1084
F8990073-M0798GI	1239
F8990073-M0799GI	2158
F8990073-M0800GI	2736
F8990073-M0801GI	2355
F8990073-M0802GI	1951
F8990073-M0803GI	1893
F8990073-M0804GI	1734
F8990073-M0805GI	1652
F8990073-M0806GI	1758
F8990073-M0807GI	2004
F8990073-M0808GI	1734
F8990073-M0809GI	1912
F8990073-M0810GI	2153
F8990073-M0811GI	2081
F8990073-M0812GI	2134
F8990073-M0813GI	1840
F8990073-M0814GI	1840
F8990073-M0815GI	1643
F8990073-M0816GI	1859
F8990073-M0817GI	2033
F8990073-M0818GI	1898
F8990073-M0819GI	1744
F8990073-M0820GI	1537
F8990073-M0821GI	1806
F8990073-M0822GI	1965
F8990073-M0823GI	2529
F8990073-M0824GI	2712
F8990073-M0825GI	2399
F8990073-M0826GI	2346
F8990073-M0827GI	1652
F8990073-M0828GI	1989
F8990073-M0829GI	1980
F8990073-M0830GI	2201
F8990073-M0831GI	2423
F8990073-M0832GI	2563

F8990073-M0833GI	2428
F8990073-M0834GI	2567
F8990073-M0835GI	2119
F8990073-M0836GI	1898
F8990073-M0837GI	2307
F8990073-M0838GI	1671
F8990073-M0839GI	2033
F8990073-M0840GI	2057
F8990073-M0841GI	1594
F8990073-M0842GI	1869
F8990073-M0843GI	1994
F8990073-M0844GI	2115
F8990073-M0845GI	1696
F8990073-M0846GI	1761
F8990073-M0847GI	1765
F8990073-M0848GI	1466
F8990073-M0849GI	1476
F8990073-M0850GI	1430
F8990073-M0851GI	1186
F8990073-M0852GI	1456
F8990073-M0853GI	4772
F8990073-M0854GI	17217
F8990073-M0855GI	3145
F8990073-M0856GI	1771
F8990073-M0857GI	2836
F8990073-M0858GI	5698
F8990073-M0859GI	5261
F8990073-M0860GI	2415
F8990073-M0861GI	1137
F8990073-M0862GI	1347
F8990073-M0863GI	1689
F8990073-M0864GI	2034
F8990073-M0865GI	2136
F8990073-M0866GI	1899
F8990073-M0867GI	1706
F8990073-M0868GI	1367
F8990073-M0869GI	1604
F8990073-M0870GI	2622
F8990073-M0871GI	1886
F8990073-M0872GI	1213
F8990073-M0873GI	1226
F8990073-M0874GI	1232
F8990073-M0875GI	1130
F8990073-M0876GI	1153
F8990073-M0877GI	1245
F8990073-M0878GI	1377
F8990073-M0879GI	1311
F8990073-M0880GI	1932
F8990073-M0881GI	1518
F8990073-M0882GI	1153
F8990073-M0883GI	1423
F8990073-M0884GI	2820
F8990073-M0885GI	1637
F8990073-M0886GI	1896
F8990073-M0887GI	1413
F8990073-M0888GI	1167

F8990073-M0889GI	1239
F8990073-M0890GI	1245
F8990073-M0891GI	1259
F8990073-M0892GI	1170
F8990073-M0893GI	1137
F8990073-M0894GI	1091
F8990073-M0895GI	1088
F8990073-M0896GI	1121
F8990073-M0897GI	1081
F8990073-M0898GI	1167
F8990073-M0899GI	1048
F8990073-M0900GI	1081
F8990073-M0901GI	1071
F8990073-M0902GI	1183
F8990073-M0903GI	1213
F8990073-M0904GI	1186
F8990073-M0905GI	1482
F8990073-M0906GI	4068
F8990073-M0907GI	1959
F8990073-M0908GI	2580
F8990073-M0909GI	2415
F8990073-M0910GI	2162
F8990073-M0911GI	1367
F8990073-M0912GI	1160
F8990073-M0913GI	1413
F8990073-M0914GI	1393
F8990073-M0915GI	1462
F8990073-M0916GI	1213
F8990073-M0917GI	1453
F8990073-M0918GI	1535
F8990073-M0919GI	2507
F8990073-M0920GI	3556
F8990073-M0921GI	2386
F8990073-M0922GI	3336
F8990073-M0923GI	4752
F8990073-M0924GI	2373
F8990073-M0925GI	2806
F8990073-M0926GI	1620
F8990073-M0927GI	1804
F8990073-M0928GI	1735
F8990073-M0929GI	1719
F8990073-M0930GI	1702
F8990073-M0931GI	1522
F8990073-M0932GI	1627
F8990073-M0933GI	1660
F8990073-M0934GI	1936
F8990073-M0935GI	4003
F8990073-M0936GI	1637
F8990073-M0937GI	1374
F8990073-M0938GI	1328
F8990073-M0939GI	1321
F8990073-M0940GI	1308
F8990073-M0941GI	1199
F8990073-M0942GI	1617
F8990073-M0943GI	3963
F8990073-M0944GI	3125

F8990073-M0945GI	3681
F8990073-M0946GI	5294
F8990073-M0947GI	1331
F8990073-M0948GI	1308
F8990073-M0949GI	1673
F8990073-M0950GI	1709
F8990073-M0951GI	1456
F8990073-M0952GI	1591
F8990073-M0953GI	1482
F8990073-M0954GI	1180
F8990073-M0955GI	1265
F8990073-M0956GI	1702
F8990073-M0957GI	1423
F8990073-M0958GI	2244
F8990073-M0959GI	1091
F8990073-M0960GI	1295
F8990073-M0961GI	1206
F8990073-M0962GI	1505
F8990073-M0963GI	1880
F8990073-M0964GI	2051
F8990073-M0965GI	2198
F8990073-M0966GI	3004
F8990073-M0967GI	2337
F8990073-M0968GI	1771
F8990073-M0969GI	1318
F8990073-M0970GI	2057
F8990073-M0971GI	2269
F8990073-M0972GI	2245
F8990073-M0973GI	2592
F8990073-M0974GI	2370
F8990073-M0975GI	2158
F8990073-M0976GI	2177
F8990073-M0977GI	1724
F8990073-M0978GI	2066
F8990073-M0979GI	1792
F8990073-M0980GI	1879
F8990073-M0981GI	1970
F8990073-M0982GI	1782
F8990073-M0983GI	1744
F8990073-M0984GI	1657
F8990073-M0985GI	1633
F8990073-M0986GI	1623
F8990073-M0987GI	1700
F8990073-M0988GI	1734
F8990073-M0989GI	1821
F8990073-M0990GI	1696
F8990073-M0991GI	1898
F8990073-M0992GI	1898
F8990073-M0993GI	1787
F8990073-M0994GI	1956
F8990073-M0995GI	1821
F8990073-M0996GI	1623
F8990073-M0997GI	1744
F8990073-M0998GI	1758
F8990073-M0999GI	1594
F8990073-M1000GI	1835

F8990073-M1001GI	1686
F8990073-M1002GI	1623
F8990073-M1003GI	1710
F8990073-M1004GI	1850
F8990073-M1005GI	3011
F8990073-M1006GI	4075
F8990073-M1007GI	1193
F8990073-M1008GI	1617
F8990073-M1009GI	1436
F8990073-M1010GI	1830
F8990073-M1011GI	1686
F8990073-M1012GI	1594
F8990073-M1013GI	1255
F8990073-M1014GI	956
F8990073-M1015GI	1088
F8990073-M1016GI	1216
F8990073-M1017GI	1107
F8990073-M1018GI	1068
F8990073-M1019GI	1019
F8990073-M1020GI	1078
F8990073-M1021GI	1242
F8990073-M1022GI	1180
F8990073-M1023GI	1249
F8990073-M1024GI	1334
F8990073-M1025GI	1991
F8990073-M1026GI	4509
F8990073-M1027GI	2728
F8990073-M1028GI	2964
F8990073-M1029GI	1988
F8990073-M1030GI	1568
F8990073-M1031GI	1538
F8990073-M1032GI	1699
F8990073-M1033GI	1551
F8990073-M1034GI	1328
F8990073-M1035GI	1321
F8990073-M1036GI	1147
F8990073-M1037GI	1065
F8990073-M1038GI	1528
F8990073-M1039GI	6934
F8990073-M1040GI	3976
F8990073-M1041GI	1942
F8990073-M1042GI	2152
F8990073-M1043GI	5186
F8990073-M1044GI	4259
F8990073-M1045GI	2931
F8990073-M1046GI	5409
F8990073-M1047GI	1673
F8990073-M1048GI	1545
F8990073-M1049GI	2544
F8990073-M1050GI	8416
F8990073-M1051GI	3996
F8990073-M1052GI	3756
F8990073-M1053GI	3395
F8990073-M1054GI	2087
F8990073-M1055GI	1554
F8990073-M1056GI	1249

F8990073-M1057GI	1308
F8990073-M1058GI	1699
F8990073-M1059GI	2136
F8990073-M1060GI	3832
F8990073-M1061GI	13963
F8990073-M1062GI	30171
F8990073-M1063GI	4768
F8990073-M1064GI	5235
F8990073-M1065GI	2971
F8990073-M1066GI	1784
F8990073-M1067GI	1525
F8990073-M1068GI	1558
F8990073-M1069GI	1577
F8990073-M1070GI	1426
F8990073-M1071GI	1604
F8990073-M1072GI	2116
F8990073-M1073GI	1899
F8990073-M1074GI	1564
F8990073-M1075GI	1254
F8990073-M1076GI	1328
F8990073-M1077GI	1372
F8990073-M1078GI	1183
F8990073-M1079GI	1264
F8990073-M1080GI	1153
F8990073-M1081GI	1119
F8990073-M1082GI	1121
F8990073-M1083GI	1203
F8990073-M1084GI	1805
F8990073-M1085GI	2936
F8990073-M1086GI	2113
F8990073-M1087GI	4277
F8990073-M1088GI	1375
F8990073-M1089GI	1333
F8990073-M1090GI	1569
F8990073-M1091GI	2446
F8990073-M1092GI	4258
F8990073-M1093GI	2127
F8990073-M1094GI	2787
F8990073-M1095GI	1594
F8990073-M1096GI	1451
F8990073-M1097GI	1854
F8990073-M1098GI	1900
F8990073-M1099GI	1517
F8990073-M1100GI	1714
F8990073-M1101GI	2039
F8990073-M1102GI	1956
F8990073-M1103GI	2150
F8990073-M1104GI	1630
F8990073-M1105GI	1630
F8990073-M1106GI	1772
F8990073-M1107GI	1933
F8990073-M1108GI	1854
F8990073-M1109GI	1665
F8990073-M1110GI	1713
F8990073-M1111GI	1883
F8990073-M1112GI	3928

F8990073-M1113GI	17762
F8990073-M1114GI	3873
F8990073-M1115GI	3464
F8990073-M1116GI	2154
F8990073-M1117GI	1651
F8990073-M1118GI	1957
F8990073-M1119GI	2200
F8990073-M1120GI	1541
F8990073-M1121GI	1480
F8990073-M1122GI	1505
F8990073-M1123GI	1537
F8990073-M1124GI	1614
F8990073-M1125GI	1555
F8990073-M1126GI	1524
F8990073-M1127GI	1490
F8990073-M1128GI	1509
F8990073-M1129GI	1396
F8990073-M1130GI	1498
F8990073-M1131GI	1479
F8990073-M1132GI	1470
F8990073-M1133GI	1439
F8990073-M1134GI	1395
F8990073-M1135GI	1473
F8990073-M1136GI	1489
F8990073-M1137GI	1498
F8990073-M1138GI	1690
F8990073-M1139GI	4486
F8990073-M1140GI	6861
F8990073-M1141GI	20782
F8990073-M1142GI	3132
F8990073-M1143GI	1925
F8990073-M1144GI	2187
F8990073-M1145GI	5807
F8990073-M1146GI	2185
F8990073-M1147GI	1765
F8990073-M1148GI	1832
F8990073-M1149GI	1579
F8990073-M1150GI	1882
F8990073-M1151GI	3494
F8990073-M1152GI	2095
F8990073-M1153GI	2111
F8990073-M1154GI	2233
F8990073-M1155GI	2221
F8990073-M1156GI	2062
F8990073-M1157GI	2457
F8990073-M1158GI	2500
F8990073-M1159GI	2399
F8990073-M1160GI	2192
F8990073-M1161GI	2264
F8990073-M1162GI	2201
F8990073-M1163GI	2004
F8990073-M1164GI	1908
F8990073-M1165GI	1662
F8990073-M1166GI	1749
F8990073-M1167GI	1700
F8990073-M1168GI	1777

F8990073-M1169GI	1720
F8990073-M1170GI	1840
F8990073-M1171GI	1643
F8990073-M1172GI	1696
F8990073-M1173GI	1763
F8990073-M1174GI	2013
F8990073-M1175GI	2129
F8990073-M1176GI	2081
F8990073-M1177GI	1879
F8990073-M1178GI	2009
F8990073-M1179GI	2033
F8990073-M1180GI	1922
F8990073-M1181GI	1782
F8990073-M1182GI	2110
F8990073-M1183GI	2987
F8990073-M1184GI	4657
F8990073-M1185GI	4101
F8990073-M1186GI	4463
F8990073-M1187GI	2675
F8990073-M1198GI	1464
F8990073-M1199GI	1628
F8990073-M1200GI	1391
F8990073-M1201GI	1175
F8990073-M1202GI	1374
F8990073-M1203GI	1223
F8990073-M1204GI	1535
F8990073-M1205GI	1307
F8990073-M1206GI	1453
F8990073-M1207GI	1354
F8990073-M1208GI	1453
F8990073-M1209GI	1328
F8990073-M1210GI	1503
F8990073-M1211GI	1485
F8990073-M1212GI	1529
F8990073-M1213GI	1656
F8990073-M1214GI	1255
F8990073-M1215GI	1384
F8990073-M1216GI	1274
F8990073-M1217GI	1410
F8990073-M1218GI	1606
F8990073-M1219GI	1414
F8990073-M1220GI	1455
F8990073-M1221GI	1490
F8990073-M1222GI	1434
F8990073-M1223GI	1584
F8990073-M1224GI	1438
F8990073-M1225GI	1358
F8990073-M1226GI	1313
F8990073-M1227GI	1100
F8990073-M1228GI	1356
F8990073-M1229GI	1391
F8990073-M1230GI	1501
F8990073-M1231GI	1328
F8990073-M1232GI	1412
F8990073-M1233GI	1359
F8990073-M1234GI	1483

F8990073-M1235GI	1472
F8990073-M1236GI	1401
F8990073-M1237GI	1599
F8990073-M1238GI	1339
F8990073-M1239GI	1199
F8990073-M1240GI	1279
F8990073-M1241GI	1318
F8990073-M1242GI	1475
F8990073-M1243GI	1204
F8990073-M1244GI	1339
F8990073-M1245GI	1597
F8990073-M1246GI	1337
F8990073-M1247GI	1348
F8990073-M1248GI	1520
F8990073-M1249GI	1401
F8990073-M1250GI	1496
F8990073-M1251GI	1255
F8990073-M1252GI	1477
F8990073-M1253GI	1223
F8990073-M1254GI	1438
F8990073-M1256GI	1359
F8990073-M1257GI	1526
F8990073-M1258GI	1421
F8990073-M1259GI	1376
F8990073-M1260GI	1345
F8990073-M1261GI	1382
F8990073-M1262GI	1294
F8990073-M1264GI	1602
F8990073-M1265GI	2063
F8990073-M1266GI	1378
F8990073-M1267GI	1423
F8990073-M1268GI	1387
F8990073-M1269GI	1275
F8990073-M1270GI	1466
F8990073-M1271GI	1227
F8990073-M1272GI	1261
F8990073-M1273GI	1305
F8990073-M1274GI	1524
F8990073-M1275GI	1552
F8990073-M1276GI	1486
F8990073-M1277GI	1238
F8990073-M1278GI	1335
F8990073-M1279GI	1247
F8990073-M1280GI	1356
F8990073-M1281GI	1350
F8990073-M1282GI	1509
F8990073-M1283GI	1277
F8990073-M1284GI	1292
F8990073-M1285GI	1436
F8990073-M1286GI	1315
F8990073-M1287GI	1376
F8990073-M1288GI	1380
F8990073-M1289GI	1436
F8990073-M1290GI	1479
F8990073-M1291GI	1468
F8990073-M1292GI	1675

F8990073-M1293GI	1582
F8990073-M1294GI	1746
F8990073-M1295GI	1847
F8990073-M1296GI	1641
F8990073-M1297GI	1746
F8990073-M1298GI	1725
F8990073-M1299GI	1871
F8990073-M1300GI	1877
F8990073-M1301GI	1778
F8990073-M1302GI	2144
F8990073-M1303GI	2060
F8990073-M1304GI	1894
F8990073-M1305GI	1787
F8990073-M1306GI	1879
F8990073-M1307GI	1860
F8990073-M1308GI	1735
F8990073-M1309GI	1998
F8990073-M1310GI	1903
F8990073-M1311GI	2050
F8990073-M1312GI	2097
F8990073-M1313GI	2263
F8990073-M1314GI	2034
F8990073-M1315GI	2112
F8990073-M1316GI	2013
F8990073-M1317GI	2106
F8990073-M1318GI	2002
F8990073-M1319GI	2131
F8990073-M1320GI	1938
F8990073-M1321GI	1907
F8990073-M1322GI	1800
F8990073-M1323GI	1697
F8990073-M1324GI	1711
F8990073-M1325GI	1716
F8990073-M1326GI	1703
F8990073-M1327GI	1526
F8990073-M1328GI	1703
F8990073-M1329GI	1938
F8990073-M1330GI	1664
F8990073-M1331GI	1673
F8990073-M1332GI	1490
F8990073-M1333GI	1593
F8990073-M1334GI	1746
F8990073-M1335GI	1557
F8990073-M1336GI	1625
F8990073-M1337GI	1503
F8990073-M1338GI	1475
F8990073-M1339GI	1262
F8990073-M1340GI	1395
F8990073-M1341GI	1481
F8990073-M1342GI	1373
F8990073-M1343GI	1557
F8990073-M1344GI	1236
F8990073-M1346GI	1427
F8990073-M1347GI	1669
F8990073-M1348GI	1612
F8990073-M1349GI	1501

F8990073-M1350GI	1539
F8990073-M1351GI	1376
F8990073-M1352GI	1496
F8990073-M1353GI	1470
F8990073-M1354GI	1574
F8990073-M1355GI	1470
F8990073-M1356GI	1490
F8990073-M1357GI	1561
F8990073-M1358GI	1641
F8990073-M1359GI	1464
F8990073-M1360GI	1524
F8990073-M1361GI	1617
F8990073-M1362GI	1599
F8990073-M1363GI	1311
F8990073-M1364GI	1612
F8990073-M1365GI	1815
F8990073-M1366GI	1539
F8990073-M1367GI	1724
F8990073-M1368GI	1912
F8990073-M1369GI	1937
F8990073-M1370GI	1910
F8990073-M1371GI	1987
F8990073-M1372GI	1787
F8990073-M1373GI	1757
F8990073-M1374GI	1795
F8990073-M1375GI	2015
F8990073-M1376GI	1953
F8990073-M1377GI	1940
F8990073-M1378GI	1470
F8990073-M1379GI	1966
F8990073-M1380GI	2190
F8990073-M1381GI	2088
F8990073-M1382GI	2136
F8990073-M1383GI	1987
F8990073-M1384GI	1884
F8990073-M1385GI	2116
F8990073-M1386GI	2060
F8990073-M1387GI	2037
F8990073-M1388GI	1886
F8990073-M1389GI	1897
F8990073-M1390GI	1961
F8990073-M1391GI	1880
F8990073-M1392GI	2056
F8990073-M1393GI	1979
F8990073-M1394GI	1811
F8990073-M1395GI	1935
F8990073-M1396GI	2125
F8990073-M1397GI	2151
F8990073-M1398GI	1961
F8990073-M1399GI	1847
F8990073-M1400GI	1910
F8990073-M1401GI	1959
F8990073-M1402GI	1871
F8990073-M1403GI	1991
F8990073-M1404GI	2041
F8990073-M1405GI	1937

F8990073-M1406GI	1897
F8990073-M1407GI	1892
F8990073-M1408GI	1834
F8990073-M1409GI	1823
F8990073-M1410GI	1884
F8990073-M1411GI	1875
F8990073-M1412GI	1966
F8990073-M1413GI	2021
F8990073-M1414GI	1987
F8990073-M1415GI	1802
F8990073-M1416GI	2006
F8990073-M1417GI	2039
F8990073-M1418GI	1696
F8990073-M1419GI	1916
F8990073-M1420GI	1617
F8990073-M1425GI	1369
F8990073-M1426GI	1933
F8990073-M1427GI	1761
F8990073-M1428GI	1884
F8990073-M1429GI	1942
F8990073-M1430GI	1712
F8990073-M1431GI	1785
F8990073-M1432GI	1707
F8990073-M1433GI	1847
F8990073-M1434GI	2011
F8990073-M1435GI	1744
F8990073-M1436GI	1903
F8990073-M1437GI	1882
F8990073-M1438GI	1918
F8990073-M1439GI	1725
F8990073-M1440GI	2050
F8990073-M1441GI	1979
F8990073-M1442GI	1821
F8990073-M1443GI	2060
F8990073-M1444GI	1834
F8990073-M1445GI	1953
F8990073-M1446GI	1810
F8990073-M1447GI	1770
F8990073-M1448GI	2009
F8990073-M1449GI	2052
F8990073-M1450GI	1922
F8990073-M1451GI	1838
F8990073-M1452GI	1746
F8990073-M1453GI	1806
F8990073-M1454GI	1875
F8990073-M1455GI	2011
F8990073-M1456GI	1854
F8990073-M1457GI	1877
F8990073-M1458GI	1894
F8990073-M1459GI	1815
F8990073-M1460GI	1901
F8990073-M1461GI	1948
F8990073-M1462GI	1942
F8990073-M1463GI	1767
F8990073-M1464GI	1993
F8990073-M1465GI	1890

F8990073-M1466GI	1828
F8990073-M1467GI	2006
F8990073-M1468GI	2187
F8990073-M1469GI	1800
F8990073-M1470GI	2181
F8990073-M1471GI	2049
F8990073-M1472GI	1806
F8990073-M1473GI	1965
F8990073-M1474GI	1785
F8990073-M1475GI	2058
F8990073-M1476GI	1989
F8990073-M1477GI	2142
F8990073-M1478GI	2060
F8990073-M1479GI	1836
F8990073-M1480GI	1813
F8990073-M1481GI	1249
F8990073-M1482GI	1313
F8990073-M1483GI	1389
F8990073-M1484GI	1322
F8990073-M1485GI	1451
F8990073-M1486GI	1262
F8990073-M1487GI	1529
F8990073-M1488GI	1955
F8990073-M1489GI	2019
F8990073-M1490GI	1806
F8990073-M1491GI	1675
F8990073-M1492GI	1617
F8990073-M1493GI	1703
F8990073-M1494GI	1950
F8990073-M1495GI	1735
F8990073-M1496GI	2032
F8990073-M1497GI	2207
F8990073-M1498GI	1836
F8990073-M1499GI	1860
F8990073-M1500GI	1974
F8990073-M1501GI	1981
F8990073-M1502GI	1910
F8990073-M1503GI	1770
F8990073-M1504GI	2095
F8990073-M1505GI	2248
F8990073-M1506GI	1841
F8990073-M1507GI	2297
F8990073-M1508GI	2252
F8990073-M1509GI	1942
F8990073-M1510GI	2090
F8990073-M1511GI	2009
F8990073-M1512GI	1787
F8990073-M1513GI	1811
F8990073-M1514GI	1864
F8990073-M1515GI	1942
F8990073-M1516GI	1927
F8990073-M1517GI	1914
F8990073-M1518GI	1965
F8990073-M1519GI	2075
F8990073-M1520GI	1987
F8990073-M1521GI	1979

F8990073-M1522GI	1895
F8990073-M1523GI	1942
F8990073-M1524GI	1994
F8990073-M1525GI	2004
F8990073-M1526GI	1838
F8990073-M1527GI	1875
F8990073-M1528GI	1828
F8990073-M1529GI	1985
F8990073-M1530GI	1851
F8990073-M1531GI	1880
F8990073-M1532GI	1724
F8990073-M1533GI	1725
F8990073-M1534GI	2108
F8990073-M1535GI	1899
F8990073-M1536GI	1929
F8990073-M1537GI	2006
F8990073-M1538GI	2026
F8990073-M1539GI	1946
F8990073-M1540GI	2131
F8990073-M1541GI	1671
F8990073-M1542GI	1927
F8990073-M1545GI	1317
F8990073-M1546GI	1425
F8990073-M1547GI	1350
F8990073-M1548GI	1244
F8990073-M1549GI	1223
F8990073-M1550GI	1053
F8990073-M1551GI	1240
F8990073-M1552GI	1163
F8990073-M1553GI	1296
F8990073-M1554GI	1135
F8990073-M1555GI	1225
F8990073-M1556GI	1229
F8990073-M1557GI	1257
F8990073-M1558GI	1361
F8990073-M1559GI	1335
F8990073-M1560GI	1279
F8990073-M1561GI	1285
F8990073-M1562GI	1274
F8990073-M1563GI	1313
F8990073-M1564GI	1152
F8990073-M1565GI	1117
F8990073-M1566GI	1190
F8990073-M1567GI	1352
F8990073-M1568GI	1223
F8990073-M1569GI	1296
F8990073-M1570GI	1203
F8990073-M1571GI	1134
F8990073-M1572GI	1135
F8990073-M1573GI	1156
F8990073-M1574GI	1186
F8990073-M1575GI	1206
F8990073-M1576GI	1498
F8990073-M1577GI	1296
F8990073-M1578GI	1402
F8990073-M1579GI	1376

F8990073-M1580GI	1303
F8990073-M1581GI	1369
F8990073-M1582GI	1277
F8990073-M1583GI	1141
F8990073-M1584GI	1120
F8990073-M1585GI	1333
F8990073-M1586GI	1365
F8990073-M1587GI	1350
F8990073-M1588GI	1434
F8990073-M1589GI	1395
F8990073-M1590GI	1307
F8990073-M1591GI	1371
F8990073-M1592GI	1483
F8990073-M1593GI	1359
F8990073-M1594GI	1186
F8990073-M1595GI	1449
F8990073-M1596GI	1343
F8990073-M1597GI	1124
F8990073-M1598GI	1380
F8990073-M1599GI	1339
F8990073-M1600GI	1292
F8990073-M1601GI	1472
F8990073-M1602GI	1466
F8990073-M1603GI	1300
F8990073-M1604GI	1346
F8990073-M1605GI	1289
F8990073-M1606GI	1285
F8990073-M1607GI	1425
F8990073-M1608GI	1274
F8990073-M1609GI	1507
F8990073-M1610GI	1608
F8990073-M1611GI	1343
F8990073-M1612GI	1522
F8990073-M1613GI	1395
F8990073-M1614GI	1414
F8990073-M1615GI	1389
F8990073-M1616GI	1292
F8990073-M1617GI	1346
F8990073-M1619GI	3649
F8990073-M1620GI	3335
F8990073-M1621GI	2088
F8990073-M1622GI	2822
F8990073-M1623GI	2486
F8990073-M1624GI	2771
F8990073-M1625GI	2301
F8990073-M1626GI	2330
F8990073-M1627GI	2290
F8990073-M1628GI	2699
F8990073-M1629GI	2666
F8990073-M1630GI	2941
F8990073-M1631GI	2641
F8990073-M1632GI	2887
F8990073-M1633GI	2554
F8990073-M1634GI	2240
F8990073-M1635GI	2442
F8990073-M1636GI	2428

F8990073-M1637GI	3125
F8990073-M1638GI	3479
F8990073-M1639GI	4100
F8990073-M1640GI	4212
F8990073-M1641GI	5022
F8990073-M1642GI	4812
F8990073-M1643GI	4559
F8990073-M1644GI	4603
F8990073-M1645GI	4837
F8990073-M1646GI	4852
F8990073-M1647GI	4693
F8990073-M1648GI	4855
F8990073-M1649GI	4650
F8990073-M1650GI	4715
F8990073-M1651GI	4646
F8990073-M1652GI	4859
F8990073-M1653GI	4581
F8990073-M1654GI	5206
F8990073-M1655GI	4762
F8990073-M1656GI	4397
F8990073-M1657GI	5029
F8990073-M1658GI	5058
F8990073-M1659GI	4650
F8990073-M1660GI	4194
F8990073-M1661GI	3931
F8990073-M1662GI	4527
F8990073-M1663GI	4223
F8990073-M1664GI	4588
F8990073-M1665GI	3941
F8990073-M1666GI	4433
F8990073-M1667GI	2670
F8990073-M1668GI	3306
F8990073-M1669GI	3866
F8990073-M1670GI	4375
F8990073-M1671GI	4014
F8990073-M1672GI	3898
F8990073-M1673GI	4277
F8990073-M1674GI	4176
F8990073-M1675GI	4176
F8990073-M1676GI	4483
F8990073-M1677GI	3952
F8990073-M1678GI	3999
F8990073-M1679GI	4216
F8990073-M1680GI	4003
F8990073-M1681GI	4140
F8990073-M1682GI	4064
F8990073-M1683GI	3895
F8990073-M1684GI	3873
F8990073-M1685GI	3573
F8990073-M1686GI	3559
F8990073-M1687GI	3519
F8990073-M1688GI	3707
F8990073-M1689GI	3761
F8990073-M1690GI	3801
F8990073-M1691GI	3447
F8990073-M1692GI	3176

F8990073-M1693GI	3425
F8990073-M1694GI	3591
F8990073-M1695GI	3378
F8990073-M1696GI	3176
F8990073-M1697GI	3349
F8990073-M1698GI	3233
F8990073-M1699GI	2565
F8990073-M1700GI	2905
F8990073-M1701GI	2991
F8990073-M1702GI	3201
F8990073-M1703GI	3172
F8990073-M1704GI	3382
F8990073-M1705GI	3613
F8990073-M1706GI	3501
F8990073-M1707GI	3168
F8990073-M1708GI	3121
F8990073-M1709GI	3262
F8990073-M1710GI	2926
F8990073-M1711GI	2377
F8990073-M1712GI	2132
F8990073-M1713GI	2446
F8990073-M1714GI	2876
F8990073-M1715GI	2666
F8990073-M1716GI	2843
F8990073-M1717GI	3176
F8990073-M1718GI	3667
F8990073-M1719GI	2695
F8990073-M1720GI	2655
F8990073-M1721GI	2789
F8990073-M1722GI	2453
F8990073-M1723GI	2312
F8990073-M1724GI	2645
F8990073-M1725GI	2460
F8990073-M1726GI	2749
F8990073-M1727GI	2822
F8990073-M1728GI	2912
F8990073-M1729GI	3042
F8990073-M1730GI	2912
F8990073-M1731GI	2991
F8990073-M1732GI	3078
F8990073-M1733GI	2858
F8990073-M1734GI	2561
F8990073-M1735GI	1862
F8990073-M1736GI	1516
F8990073-M1737GI	1449
F8990073-M1738GI	1462
F8990073-M1739GI	1572
F8990073-M1740GI	1303
F8990073-M1741GI	1333
F8990073-M1742GI	1236
F8990073-M1743GI	1498
F8990073-M1744GI	1395
F8990073-M1745GI	1415
F8990073-M1746GI	1391
F8990073-M1747GI	1307
F8990073-M1748GI	1328

F8990073-M1749GI	1171
F8990073-M1751GI	2655
F8990073-M1752GI	2879
F8990073-M1753GI	2955
F8990073-M1754GI	2829
F8990073-M1755GI	3475
F8990073-M1756GI	3403
F8990073-M1757GI	3338
F8990073-M1758GI	3468
F8990073-M1759GI	2948
F8990073-M1760GI	2854
F8990073-M1761GI	2280
F8990073-M1762GI	3100
F8990073-M1763GI	3277
F8990073-M1764GI	2836
F8990073-M1765GI	2793
F8990073-M1766GI	2634
F8990073-M1767GI	2814
F8990073-M1768GI	2504
F8990073-M1769GI	1012
F8990073-M1770GI	1164
F8990073-M1771GI	1113
F8990073-M1772GI	1084
F8990073-M1773GI	990
F8990073-M1774GI	1045
F8990073-M1775GI	1044
F8990073-M1776GI	954
F8990073-M1777GI	970
F8990073-M1778GI	1161
F8990073-M1779GI	947
F8990073-M1780GI	1003
F8990073-M1781GI	1063
F8990073-M1782GI	1047
F8990073-M1783GI	1108
F8990073-M1784GI	1087
F8990073-M1785GI	1074
F8990073-M1786GI	1047
F8990073-M1787GI	1063
F8990073-M1788GI	1074
F8990073-M1789GI	1108
F8990073-M1790GI	1147
F8990073-M1791GI	1118
F8990073-M1792GI	941
F8990073-M1793GI	1072
F8990073-M1794GI	1012
F8990073-M1795GI	1068
F8990073-M1796GI	1055
F8990073-M1797GI	1034
F8990073-M1798GI	1125
F8990073-M1799GI	1142
F8990073-M1800GI	1174
F8990073-M1801GI	1156
F8990073-M1802GI	1137
F8990073-M1803GI	1163
F8990073-M1804GI	1176
F8990073-M1805GI	1163

F8990073-M1806GI	1139
F8990073-M1807GI	1093
F8990073-M1808GI	1171
F8990073-M1809GI	1168
F8990073-M1810GI	1135
F8990073-M1811GI	1150
F8990073-M1812GI	1177
F8990073-M1813GI	1172
F8990073-M1814GI	1154
F8990073-M1815GI	1209
F8990073-M1816GI	1137
F8990073-M1817GI	1131
F8990073-M1818GI	1117
F8990073-M1819GI	1099
F8990073-M1820GI	1119
F8990073-M1821GI	1130
F8990073-M1822GI	1129
F8990073-M1823GI	1154
F8990073-M1824GI	1130
F8990073-M1825GI	1154
F8990073-M1826GI	1147
F8990073-M1827GI	1103
F8990073-M1828GI	1206
F8990073-M1829GI	1135
F8990073-M1830GI	1165
F8990073-M1831GI	1178
F8990073-M1832GI	1171
F8990073-M1833GI	1206
F8990073-M1834GI	1177
F8990073-M1835GI	1219
F8990073-M1836GI	1221
F8990073-M1837GI	1234
F8990073-M1838GI	1198
F8990073-M1839GI	1285
F8990073-M1840GI	1079
F8990073-M1841GI	1330
F8990073-M1842GI	1111
F8990073-M1843GI	1212
F8990073-M1844GI	1171
F8990073-M1845GI	1281
F8990073-M1846GI	1303
F8990073-M1847GI	1262
F8990073-M1848GI	1287
F8990073-M1849GI	1249
F8990073-M1850GI	1178
F8990073-M1851GI	1244
F8990073-M1852GI	1148
F8990073-M1853GI	1229
F8990073-M1854GI	1281
F8990073-M1855GI	1281
F8990073-M1856GI	1318
F8990073-M1857GI	1216
F8990073-M1858GI	1287
F8990073-M1859GI	1313
F8990073-M1860GI	1240
F8990073-M1861GI	1203

F8990073-M1862GI	2026
F8990073-M1863GI	1490
F8990073-M1864GI	1285
F8990073-M1865GI	1296
F8990073-M1866GI	1180
F8990073-M1867GI	1240
F8990073-M1868GI	1279
F8990073-M1869GI	1223
F8990073-M1870GI	1367
F8990073-M1871GI	1673
F8990073-M1872GI	2519
F8990073-M1873GI	1544
F8990073-M1874GI	1587
F8990073-M1875GI	2481
F8990073-M1876GI	2168
F8990073-M1877GI	2486
F8990073-M1878GI	2144
F8990073-M1879GI	2601
F8990073-M1880GI	2447
F8990073-M1881GI	2784
F8990073-M1882GI	2486
F8990073-M1883GI	2240
F8990073-M1884GI	2317
F8990073-M1885GI	2341
F8990073-M1886GI	1480
F8990073-M1887GI	1448
F8990073-M1888GI	1514
F8990073-M1889GI	1374
F8990073-M1890GI	1475
F8990073-M1891GI	1426
F8990073-M1892GI	1586
F8990073-M1893GI	1681
F8990073-M1894GI	1730
F8990073-M1895GI	1714
F8990073-M1896GI	1704
F8990073-M1897GI	1650
F8990073-M1898GI	1518
F8990073-M1899GI	1567
F8990073-M1900GI	1504
F8990073-M1901GI	1447
F8990073-M1902GI	1464
F8990073-M1903GI	1382
F8990073-M1904GI	1348
F8990073-M1905GI	1390
F8990073-M1906GI	1313
F8990073-M1907GI	1279
F8990073-M1908GI	1381
F8990073-M1909GI	1443
F8990073-M1910GI	1327
F8990073-M1911GI	1233
F8990073-M1912GI	1216
F8990073-M1913GI	1217
F8990073-M1914GI	1213
F8990073-M1915GI	1216
F8990073-M1916GI	1211
F8990073-M1917GI	1202

F8990073-M1918GI	1186
F8990073-M1919GI	1194
F8990073-M1920GI	1234
F8990073-M1921GI	1256
F8990073-M1922GI	1275
F8990073-M1923GI	1340
F8990073-M1924GI	1310
F8990073-M1925GI	3126
F8990073-M1926GI	2086
F8990073-M1927GI	2119
F8990073-M1928GI	2250
F8990073-M1929GI	1611
F8990073-M1930GI	1583
F8990073-M1931GI	1546
F8990073-M1932GI	1347
F8990073-M1933GI	1302
F8990073-M1934GI	1431
F8990073-M1935GI	1460
F8990073-M1936GI	1456
F8990073-M1937GI	1229
F8990073-M1938GI	1144
F8990073-M1939GI	1128
F8990073-M1940GI	1144
F8990073-M1941GI	1158
F8990073-M1942GI	1105
F8990073-M1943GI	1004
F8990073-M1944GI	1164
F8990073-M1945GI	1162
F8990073-M1946GI	1285
F8990073-M1947GI	1320
F8990073-M1948GI	1449
F8990073-M1949GI	1436
F8990073-M1950GI	1614
F8990073-M1951GI	1504
F8990073-M1952GI	1576
F8990073-M1953GI	1528
F8990073-M1954GI	1458
F8990073-M1955GI	1292
F8990073-M1956GI	1372
F8990073-M1957GI	1305
F8990073-M1958GI	1346
F8990073-M1959GI	1421
F8990073-M1960GI	1536
F8990073-M1961GI	1855
F8990073-M1962GI	1802
F8990073-M1963GI	1246
F8990073-M1964GI	1211
F8990073-M1965GI	1138
F8990073-M1966GI	1106
F8990073-M1967GI	1084
F8990073-M1968GI	1078
F8990073-M1969GI	1081
F8990073-M1970GI	1077
F8990073-M1971GI	1091
F8990073-M1972GI	1031
F8990073-M1973GI	1040

F8990073-M1974GI	986
F8990073-M1975GI	933
F8990073-M1976GI	1083
F8990073-M1977GI	1271
F8990073-M1978GI	1460
F8990073-M1979GI	1814
F8990073-M1980GI	1669
F8990073-M1981GI	1441
F8990073-M1982GI	1662
F8990073-M1983GI	1462
F8990073-M1984GI	1420
F8990073-M1985GI	1588
F8990073-M1986GI	1897
F8990073-M1987GI	1714
F8990073-M1988GI	1632
F8990073-M1989GI	1656
F8990073-M1990GI	1721
F8990073-M1991GI	1133
F8990073-M1992GI	1060
F8990073-M1993GI	1084
F8990073-M1994GI	1101
F8990073-M1995GI	1089
F8990073-M1996GI	1052
F8990073-M1997GI	1138
F8990073-M1998GI	1231
F8990073-M1999GI	1301
F8990073-M2000GI	1349
F8990073-M2001GI	1164
F8990073-M2002GI	1032
F8990073-M2003GI	1011
F8990073-M2004GI	1088
F8990073-M2005GI	1185
F8990073-M2006GI	1307
F8990073-M2007GI	1495
F8990073-M2008GI	3053
F8990073-M2009GI	3916
F8990073-M2010GI	3783
F8990073-M2011GI	4368
F8990073-M2012GI	4158
F8990073-M2013GI	2919
F8990073-M2014GI	3277
F8990073-M2015GI	3880
F8990073-M2016GI	3540
F8990073-M2017GI	2865
F8990073-M2018GI	2543
F8990073-M2019GI	2735
F8990073-M2020GI	3053
F8990073-M2021GI	2854
F8990073-M2022GI	2861
F8990073-M2023GI	2926
F8990073-M2024GI	3158
F8990073-M2025GI	2684
F8990073-M2026GI	2814
F8990073-M2027GI	2334
F8990073-M2035GI	1351
F8990073-M2036GI	1410

F8990073-M2037GI	1577
F8990073-M2038GI	1640
F8990073-M2039GI	1630
F8990073-M2040GI	1663
F8990073-M2041GI	1607
F8990073-M2042GI	1719
F8990073-M2043GI	1837
F8990073-M2044GI	1679
F8990073-M2045GI	1433
F8990073-M2046GI	1722
F8990073-M2047GI	2047
F8990073-M2048GI	1830
F8990073-M2049GI	1794
F8990073-M2050GI	1791
F8990073-M2051GI	1899
F8990073-M2052GI	1771
F8990073-M2053GI	1692
F8990073-M2054GI	1824
F8990073-M2055GI	1781
F8990073-M2056GI	1801
F8990073-M2057GI	1807
F8990073-M2058GI	1893
F8990073-M2059GI	1761
F8990073-M2060GI	1791
F8990073-M2061GI	1837
F8990073-M2062GI	1696
F8990073-M2063GI	1715
F8990073-M2064GI	1459
F8990073-M2065GI	1495
F8990073-M2066GI	1334
F8990073-M2067GI	1384
F8990073-M2068GI	1328
F8990073-M2069GI	1357
F8990073-M2070GI	1216
F8990073-M2071GI	1048
F8990073-M2072GI	1410
F8990073-M2073GI	1213
F8990073-M2074GI	1564
F8990073-M2075GI	1679
F8990073-M2076GI	1699
F8990073-M2077GI	1761
F8990073-M2078GI	1850
F8990073-M2079GI	1853
F8990073-M2080GI	1637
F8990073-M2081GI	1610
F8990073-M2082GI	1673
F8990073-M2083GI	1614
F8990073-M2084GI	1752
F8990073-M2085GI	1627
F8990073-M2086GI	1886
F8990073-M2087GI	2261
F8990073-M2088GI	1581
F8990073-M2089GI	1291
F8990073-M2090GI	1689
F8990073-M2091GI	1913
F8990073-M2092GI	1646

F8990073-M2093GI	1896
F8990073-M2094GI	1735
F8990073-M2095GI	1768
F8990073-M2096GI	1893
F8990073-M2097GI	1752
F8990073-M2098GI	1768
F8990073-M2099GI	1712
F8990073-M2100GI	1653
F8990073-M2101GI	1518
F8990073-M2102GI	1571
F8990073-M2103GI	1640
F8990073-M2104GI	1456
F8990073-M2105GI	1561
F8990073-M2106GI	1453
F8990073-M2107GI	1347
F8990073-M2108GI	1232
F8990073-M2109GI	1311
F8990073-M2110GI	1692
F8990073-M2111GI	1400
F8990073-M2112GI	1426
F8990073-M2113GI	1472
F8990073-M2114GI	1512
F8990073-M2115GI	1558
F8990073-M2116GI	1597
F8990073-M2117GI	1614
F8990073-M2118GI	1541
F8990073-M2119GI	1308
F8990073-M2120GI	1111
F8990073-M2121GI	1035
F8990073-M2122GI	1206
F8990073-M2123GI	1186
F8990073-M2124GI	1216
F8990073-M2125GI	1285
F8990073-M2126GI	1229
F8990073-M2127GI	1314
F8990073-M2128GI	1167
F8990073-M2129GI	1285
F8990073-M2130GI	1334
F8990073-M2131GI	1913
F8990073-M2132GI	1548
F8990073-M2133GI	1479
F8990073-M2134GI	1656
F8990073-M2135GI	1755
F8990073-M2136GI	1515
F8990073-M2137GI	1633
F8990073-M2138GI	1709
F8990073-M2139GI	1663
F8990073-M2140GI	1577
F8990073-M2141GI	1505
F8990073-M2142GI	1499
F8990073-M2143GI	1663
F8990073-M2144GI	1255
F8990073-M2145GI	1397
F8990073-M2146GI	1637
F8990073-M2147GI	1430
F8990073-M2148GI	1650

F8990073-M2149GI	1712
F8990073-M2150GI	1683
F8990073-M2151GI	1683
F8990073-M2152GI	1696
F8990073-M2153GI	1788
F8990073-M2154GI	1633
F8990073-M2155GI	1469
F8990073-M2156GI	1640
F8990073-M2157GI	1423
F8990073-M2158GI	1630
F8990073-M2159GI	1656
F8990073-M2160GI	1669
F8990073-M2161GI	1794
F8990073-M2162GI	1495
F8990073-M2163GI	1403
F8990073-M2164GI	1410
F8990073-M2165GI	1410
F8990073-M2166GI	1268
F8990073-M2167GI	1268
F8990073-M2168GI	1130
F8990073-M2169GI	1462
F8990073-M2170GI	1193
F8990073-M2171GI	1558
F8990073-M2172GI	1476
F8990073-M2173GI	1686
F8990073-M2174GI	1597
F8990073-M2175GI	1627
F8990073-M2176GI	1679
F8990073-M2177GI	1702
F8990073-M2178GI	1581
F8990073-M2179GI	1765
F8990073-M2180GI	1696
F8990073-M2181GI	1722
F8990073-M2182GI	1683
F8990073-M2183GI	1584
F8990073-M2184GI	1712
F8990073-M2185GI	1610
F8990073-M2186GI	1706
F8990073-M2187GI	1706
F8990073-M2188GI	1821
F8990073-M2189GI	1712
F8990073-M2190GI	1640
F8990073-M2191GI	1709
F8990073-M2192GI	1729
F8990073-M2193GI	1683
F8990073-M2194GI	1633
F8990073-M2195GI	1824
F8990073-M2196GI	1791
F8990073-M2197GI	1761
F8990073-M2198GI	1653
F8990073-M2199GI	1633
F8990073-M2200GI	1738
F8990073-M2201GI	1735
F8990073-M2202GI	1551
F8990073-M2203GI	1351
F8990073-M2204GI	1587

F8990073-M2205GI	1518
F8990073-M2206GI	1144
F8990073-M2207GI	2139
F8990073-M2208GI	2139
F8990073-M2209GI	2298
F8990073-M2210GI	2640
F8990073-M2211GI	2654
F8990073-M2212GI	2023
F8990073-M2213GI	2105
F8990073-M2214GI	2245
F8990073-M2215GI	2375
F8990073-M2216GI	2355
F8990073-M2217GI	2457
F8990073-M2218GI	2322
F8990073-M2219GI	2312
F8990073-M2220GI	2307
F8990073-M2221GI	1859
F8990073-M2222GI	2201
F8990073-M2223GI	2914
F8990073-M2224GI	2962
F8990073-M2225GI	2587
F8990073-M2226GI	2490
F8990073-M2227GI	1975
F8990073-M2228GI	2461
F8990073-M2229GI	1941
F8990073-M2230GI	2399
F8990073-M2231GI	2384
F8990073-M2232GI	2278
F8990073-M2233GI	2192
F8990073-M2234GI	2461
F8990073-M2235GI	2346
F8990073-M2236GI	2278
F8990073-M2237GI	2288
F8990073-M2238GI	2144
F8990073-M2239GI	1961
F8990073-M2240GI	2076
F8990073-M2241GI	2245
F8990073-M2242GI	1975
F8990073-M2243GI	1980
F8990073-M2244GI	1874
F8990073-M2245GI	2091
F8990073-M2246GI	1643
F8990073-M2247GI	2230
F8990073-M2248GI	1961
F8990073-M2249GI	2013
F8990073-M2250GI	2100
F8990073-M2251GI	1917
F8990073-M2252GI	1647
F8990073-M2253GI	1797
F8990073-M2254GI	1917
F8990073-M2255GI	1802
F8990073-M2256GI	1956
F8990073-M2257GI	2105
F8990073-M2258GI	2134
F8990073-M2259GI	2158
F8990073-M2260GI	1908

F8990073-M2261GI	1864
F8990073-M2262GI	1840
F8990073-M2263GI	1994
F8990073-M2264GI	2105
F8990073-M2265GI	1999
F8990073-M2266GI	1989
F8990073-M2267GI	2018
F8990073-M2268GI	1686
F8990073-M2269GI	2013
F8990073-M2270GI	1806
F8990073-M2271GI	2038
F8990073-M2272GI	2028
F8990073-M2273GI	1922
F8990073-M2274GI	1912
F8990073-M2276GI	1308
F8990073-M2277GI	1239
F8990073-M2278GI	1288
F8990073-M2279GI	1439
F8990073-M2280GI	1121
F8990073-M2281GI	1407
F8990073-M2282GI	1479
F8990073-M2283GI	1321
F8990073-M2284GI	1472
F8990073-M2285GI	2144
F8990073-M2286GI	2563
F8990073-M2287GI	3174
F8990073-M2288GI	2360
F8990073-M2289GI	2346
F8990073-M2290GI	1811
F8990073-M2291GI	2490
F8990073-M2292GI	2630
F8990073-M2293GI	2534
F8990073-M2294GI	2134
F8990073-M2295GI	2033
F8990073-M2296GI	2380
F8990073-M2297GI	2389
F8990073-M2298GI	2442
F8990073-M2299GI	2370
F8990073-M2300GI	2245
F8990073-M2301GI	2317
F8990073-M2302GI	2052
F8990073-M2303GI	2225
F8990073-M2304GI	2563
F8990073-M2305GI	2852
F8990073-M2306GI	2645
F8990073-M2307GI	2355
F8990073-M2308GI	2071
F8990073-M2309GI	1855
F8990073-M2310GI	2399
F8990073-M2311GI	2322
F8990073-M2312GI	1806
F8990073-M2313GI	2052
F8990073-M2314GI	2240
F8990073-M2315GI	2307
F8990073-M2316GI	2437
F8990073-M2317GI	2264

F8990073-M2318GI	2303
F8990073-M2319GI	2216
F8990073-M2320GI	1845
F8990073-M2321GI	2115
F8990073-M2322GI	2235
F8990073-M2323GI	2254
F8990073-M2324GI	2042
F8990073-M2325GI	2168
F8990073-M2326GI	2144
F8990073-M2327GI	1209
F8990073-M2328GI	1538
F8990073-M2329GI	1499
F8990073-M2330GI	1288
F8990073-M2331GI	1130
F8990073-M2332GI	1305
F8990073-M2333GI	1124
F8990073-M2334GI	1305
F8990073-M2335GI	1525
F8990073-M2336GI	1459
F8990073-M2337GI	1334
F8990073-M2338GI	1288
F8990073-M2339GI	1308
F8990073-M2340GI	1206
F8990073-M2341GI	1433
F8990073-M2342GI	1324
F8990073-M2343GI	1446
F8990073-M2344GI	1482
F8990073-M2345GI	1298
F8990073-M2346GI	1426
F8990073-M2347GI	1390
F8990073-M2348GI	1426
F8990073-M2349GI	1236
F8990073-M2350GI	1314
F8990073-M2351GI	1291
F8990073-M2352GI	1239
F8990073-M2353GI	1176
F8990073-M2354GI	1298
F8990073-M2355GI	1314
F8990073-M2356GI	1387
F8990073-M2357GI	1430
F8990073-M2358GI	1528
F8990073-M2359GI	1492
F8990073-M2360GI	1331
F8990073-M2361GI	1469
F8990073-M2362GI	1423
F8990073-M2363GI	1443
F8990073-M2364GI	1124
F8990073-M2365GI	1416
F8990073-M2366GI	1528
F8990073-M2367GI	1453
F8990073-M2368GI	1577
F8990073-M2369GI	1587
F8990073-M2370GI	1548
F8990073-M2371GI	1472
F8990073-M2372GI	1518
F8990073-M2373GI	1420

F8990073-M2374GI	1446
F8990073-M2375GI	1232
F8990073-M2376GI	1199
F8990073-M2377GI	1360
F8990073-M2378GI	1436
F8990073-M2379GI	1275
F8990073-M2380GI	1282
F8990073-M2381GI	1384
F8990073-M2382GI	1262
F8990073-M2383GI	1360
F8990073-M2384GI	1331
F8990073-M2385GI	1291
F8990073-M2386GI	1370
F8990073-M2387GI	1275
F8990073-M2388GI	1249
F8990073-M2389GI	1341
F8990073-M2390GI	1337
F8990073-M2391GI	1331
F8990073-M2392GI	1407
F8990073-M2393GI	1505
F8990073-M2394GI	1574
F8990073-M2395GI	1794
F8990073-M2396GI	1433
F8990073-M2397GI	1834
F8990073-M2398GI	1393
F8990073-M2399GI	1620
F8990073-M2400GI	1420
F8990073-M2401GI	1341
F8990073-M2402GI	1203
F8990073-M2403GI	1186
F8990073-M2404GI	1190
F8990073-M2405GI	1295
F8990073-M2406GI	1275
F8990073-M2407GI	1157
F8990073-M2408GI	1272
F8990073-M2409GI	1167
F8990073-M2410GI	1390
F8990073-M2411GI	1607
F8990073-M2412GI	1489
F8990073-M2413GI	1627
F8990073-M2414GI	1492
F8990073-M2415GI	1617
F8990073-M2416GI	1637
F8990073-M2417GI	1420
F8990073-M2418GI	1045
F8990073-M2419GI	1344
F8990073-M2420GI	1094
F8990073-M2421GI	1245
F8990073-M2422GI	1337
F8990073-M2423GI	1278
F8990073-M2424GI	1170
F8990073-M2425GI	1203
F8990073-M2426GI	1068
F8990073-M2427GI	1111
F8990073-M2428GI	1226
F8990073-M2429GI	1167

F8990073-M2430GI	1183
F8990073-M2431GI	1420
F8990073-M2432GI	1643
F8990073-M2433GI	1278
F8990073-M2434GI	1216
F8990073-M2435GI	1295
F8990073-M2436GI	1245
F8990073-M2437GI	1337
F8990073-M2438GI	1265
F8990073-M2439GI	1328
F8990073-M2440GI	1354
F8990073-M2441GI	1508
F8990073-M2442GI	1167
F8990073-M2443GI	1180
F8990073-M2444GI	1245
F8990073-M2445GI	1298
F8990073-M2446GI	1147
F8990073-M2447GI	1186
F8990073-M2448GI	1137
F8990073-M2449GI	1114
F8990073-M2450GI	1236
F8990073-M2451GI	1193
F8990073-M2452GI	1206
F8990073-M2453GI	1275
F8990073-M2454GI	1167
F8990073-M2455GI	1193
F8990073-M2456GI	1301
F8990073-M2457GI	1308
F8990073-M2458GI	1272
F8990073-M2459GI	1321
F8990073-M2460GI	1203
F8990073-M2461GI	1124
F8990073-M2462GI	1193
F8990073-M2463GI	1101
F8990073-M2464GI	1038
F8990073-M2465GI	1193
F8990073-M2466GI	1091
F8990073-M2467GI	1061
F8990073-M2468GI	986
F8990073-M2469GI	1150
F8990073-M2470GI	1032
F8990073-M2471GI	1042
F8990073-M2472GI	1213
F8990073-M2473GI	1173
F8990073-M2474GI	1068
F8990073-M2475GI	1042
F8990073-M2476GI	1052
F8990073-M2477GI	1111
F8990073-M2478GI	1084
F8990073-M2479GI	1124
F8990073-M2480GI	1101
F8990073-M2481GI	1114
F8990073-M2482GI	1147
F8990073-M2483GI	1065
F8990073-M2484GI	1203
F8990073-M2485GI	1104

F8990073-M2486GI	1042
F8990073-M2487GI	1042
F8990073-M2488GI	1078
F8990073-M2489GI	1183
F8990073-M2490GI	1068
F8990073-M2491GI	1216
F8990073-M2492GI	1249
F8990073-M2493GI	1288
F8990073-M2494GI	1262
F8990073-M2504GI	1574
F8990073-M2505GI	1676
F8990073-M2506GI	1702
F8990073-M2507GI	1788
F8990073-M2508GI	1748
F8990073-M2509GI	1771
F8990073-M2510GI	1640
F8990073-M2511GI	1476
F8990073-M2512GI	1571
F8990073-M2513GI	1423
F8990073-M2514GI	1551
F8990073-M2515GI	1633
F8990073-M2516GI	1748
F8990073-M2517GI	1627
F8990073-M2518GI	1413
F8990073-M2519GI	1295
F8990073-M2520GI	1617
F8990073-M2521GI	1591
F8990073-M2522GI	1706
F8990073-M2523GI	1568
F8990073-M2524GI	1673
F8990073-M2525GI	1610
F8990073-M2526GI	1413
F8990073-M2527GI	1600
F8990073-M2528GI	1692
F8990073-M2529GI	1528
F8990073-M2530GI	1669
F8990073-M2531GI	1577
F8990073-M2532GI	1321
F8990073-M2533GI	1518
F8990073-M2534GI	1620
F8990073-M2535GI	1262
F8990073-M2536GI	1449
F8990073-M2537GI	1587
F8990073-M2538GI	1410
F8990073-M2539GI	1607
F8990073-M2540GI	1640
F8990073-M2541GI	1827
F8990073-M2542GI	1755
F8990073-M2543GI	1663
F8990073-M2544GI	1574
F8990073-M2545GI	1505
F8990073-M2546GI	1275
F8990073-M2547GI	1502
F8990073-M2548GI	1571
F8990073-M2549GI	1643
F8990073-M2550GI	1666

F8990073-M2551GI	1416
F8990073-M2552GI	1653
F8990073-M2553GI	1512
F8990073-M2554GI	1564
F8990073-M2555GI	1617
F8990073-M2556GI	1778
F8990073-M2557GI	1604
F8990073-M2558GI	1689
F8990073-M2559GI	1755
F8990073-M2560GI	1686
F8990073-M2561GI	1732
F8990073-M2562GI	1620
F8990073-M2563GI	1610
F8990073-M2564GI	1538
F8990073-M2565GI	1673
F8990073-M2566GI	1499
F8990073-M2567GI	1696
F8990073-M2568GI	1686
F8990073-M2569GI	1548
F8990073-M2570GI	1758
F8990073-M2571GI	1617
F8990073-M2572GI	1134
F8990073-M2573GI	1048
F8990073-M2574GI	2823
F8990073-M2575GI	2187
F8990073-M2576GI	3054
F8990073-M2577GI	2948
F8990073-M2578GI	2967
F8990073-M2579GI	3011
F8990073-M2580GI	2924
F8990073-M2581GI	2553
F8990073-M2582GI	2789
F8990073-M2583GI	2760
F8990073-M2584GI	2943
F8990073-M2585GI	2750
F8990073-M2586GI	2789
F8990073-M2587GI	2856
F8990073-M2588GI	2380
F8990073-M2589GI	2437
F8990073-M2590GI	1961
F8990073-M2591GI	2009
F8990073-M2592GI	2746
F8990073-M2593GI	2919
F8990073-M2594GI	2779
F8990073-M2595GI	2722
F8990073-M2596GI	2389
F8990073-M2597GI	2505
F8990073-M2598GI	2322
F8990073-M2599GI	2750
F8990073-M2600GI	2548
F8990073-M2601GI	2370
F8990073-M2602GI	2341
F8990073-M2603GI	2572
F8990073-M2604GI	2095
F8990073-M2605GI	1951
F8990073-M2626GI	2351

F8990073-M2627GI	2375
F8990073-M2628GI	2726
F8990073-M2629GI	2900
F8990073-M2630GI	2876
F8990073-M2631GI	2803
F8990073-M2632GI	2678
F8990073-M2633GI	2091
F8990073-M2634GI	2828
F8990073-M2635GI	2408
F8990073-M2636GI	2514
F8990073-M2637GI	2124
F8990073-M2638GI	2009
F8990073-M2639GI	1908
F8990073-M2640GI	1919
F8990073-M2641GI	1699
F8990073-M2642GI	1689
F8990073-M2643GI	1449
F8990073-M2644GI	1311
F8990073-M2645GI	1196
F8990073-M2646GI	1311
F8990073-M2647GI	1265
F8990073-M2648GI	1252
F8990073-M2649GI	1255
F8990073-M2650GI	1282
F8990073-M2651GI	1199
F8990073-M2652GI	1186
F8990073-M2653GI	1476
F8990073-M2654GI	1190
F8990073-M2655GI	1186
F8990073-M2656GI	1140
F8990073-M2657GI	1176
F8990073-M2658GI	13861
F8990073-M2659GI	2353
F8990073-M2660GI	2218
F8990073-M2661GI	3000
F8990073-M2662GI	1807
F8990073-M2663GI	1518
F8990073-M2664GI	1384
F8990073-M2665GI	2504
F8990073-M2666GI	2169
F8990073-M2667GI	1173
F8990073-M2668GI	1495
F8990073-M2669GI	1137
F8990073-M2670GI	1262
F8990073-M2671GI	1715
F8990073-M2672GI	1788
F8990073-M2673GI	1761
F8990073-M2674GI	1939
F8990073-M2675GI	2057
F8990073-M2676GI	1453
F8990073-M2677GI	1344
F8990073-M2678GI	1196
F8990073-M2679GI	1078
F8990073-M2680GI	1232
F8990073-M2681GI	1282
F8990073-M2682GI	1331

F8990073-M2683GI	1291
F8990073-M2684GI	1265
F8990073-M2685GI	1275
F8990073-M2686GI	1035
F8990073-M2687GI	1104
F8990073-M2688GI	1045
F8990073-M2689GI	1032
F8990073-M2690GI	1157
F8990073-M2691GI	1045
F8990073-M2692GI	1107
F8990073-M2693GI	910
F8990073-M2694GI	1199
F8990073-M2695GI	1029
F8990073-M2696GI	1071
F8990073-M2697GI	1101
F8990073-M2698GI	1229
F8990073-M2699GI	1176
F8990073-M2700GI	1163
F8990073-M2701GI	1134
F8990073-M2702GI	1226
F8990073-M2703GI	1186
F8990073-M2704GI	1147
F8990073-M2705GI	1272
F8990073-M2706GI	1252
F8990073-M2707GI	1525
F8990073-M2708GI	1410
F8990073-M2709GI	1472
F8990073-M2710GI	1623
F8990073-M2711GI	1508
F8990073-M2712GI	1669
F8990073-M2713GI	1735
F8990073-M2714GI	1459
F8990073-M2715GI	1331
F8990073-M2716GI	1268
F8990073-M2717GI	1291
F8990073-M2718GI	1272
F8990073-M2719GI	1203
F8990073-M2720GI	1186
F8990073-M2721GI	1245
F8990073-M2722GI	1222
F8990073-M2723GI	1098
F8990073-M2724GI	1091
F8990073-M2725GI	1176
F8990073-M2726GI	1009
F8990073-M2727GI	1186
F8990073-M2728GI	1101
F8990073-M2729GI	1236
F8990073-M2730GI	1058
F8990073-M2731GI	996
F8990073-M2732GI	1147
F8990073-M2733GI	1130
F8990073-M2734GI	1137
F8990073-M2735GI	1167
F8990073-M2736GI	1232
F8990073-M2737GI	1101
F8990073-M2738GI	1134

F8990073-M2739GI	1377
F8990073-M2740GI	1265
F8990073-M2741GI	1147
F8990073-M2742GI	1226
F8990073-M2743GI	1449
F8990073-M2744GI	1328
F8990073-M2745GI	1334
F8990073-M2746GI	1433
F8990073-M2747GI	1390
F8990073-M2748GI	1420
F8990073-M2749GI	1489
F8990073-M2750GI	1374
F8990073-M2751GI	1337
F8990073-M2752GI	1324
F8990073-M2753GI	1282
F8990073-M2754GI	1275
F8990073-M2755GI	1351
F8990073-M2756GI	1354
F8990073-M2757GI	1334
F8990073-M2758GI	1423
F8990073-M2759GI	1341
F8990073-M2760GI	1374
F8990073-M2761GI	1459
F8990073-M2762GI	1400
F8990073-M2763GI	1423
F8990073-M2764GI	1413
F8990073-M2765GI	1239
F8990073-M2766GI	1249
F8990073-M2767GI	1052
F8990073-M2768GI	1364
F8990073-M2769GI	1456
F8990073-M2770GI	1403
F8990073-M2771GI	1265
F8990073-M2772GI	1052
F8990073-M2773GI	900
F8990073-M2774GI	1068
F8990073-M2775GI	1193
F8990073-M2776GI	1124
F8990073-M2777GI	1091
F8990073-M2778GI	996
F8990073-M2779GI	1121
F8990073-M2780GI	1147
F8990073-M2781GI	1117
F8990073-M2782GI	1101
F8990073-M2783GI	1091
F8990073-M2784GI	1186
F8990073-M2785GI	1193
F8990073-M2786GI	1160
F8990073-M2787GI	1130
F8990073-M2788GI	1196
F8990073-M2789GI	1153
F8990073-M2790GI	1226
F8990073-M2791GI	1347
F8990073-M2792GI	1275
F8990073-M2793GI	1265
F8990073-M2794GI	1117

F8990073-M2795GI	1193
F8990073-M2796GI	1150
F8990073-M2797GI	1262
F8990073-M2798GI	1180
F8990073-M2799GI	1160
F8990073-M2800GI	1157
F8990073-M2801GI	1094
F8990073-M2802GI	1117
F8990073-M2803GI	1058
F8990073-M2804GI	1190
F8990073-M2805GI	1213
F8990073-M2806GI	1147
F8990073-M2807GI	1288
F8990073-M2808GI	1203
F8990073-M2809GI	1298
F8990073-M2810GI	1249
F8990073-M2811GI	1305
F8990073-M2812GI	1301
F8990073-M2813GI	1291
F8990073-M2814GI	1101
F8990073-M2815GI	1262
F8990073-M2816GI	1190
F8990073-M2817GI	1127
F8990073-M2818GI	1078
F8990073-M2819GI	923
F8990073-M2820GI	933
F8990073-M2821GI	818
F8990073-M2822GI	946
F8990073-M2823GI	976
F8990073-M2824GI	963
F8990073-M2825GI	1068
F8990073-M2826GI	1101
F8990073-M2827GI	1331
F8990073-M2828GI	1324
F8990073-M2829GI	1150
F8990073-M2830GI	1117
F8990073-M2831GI	1019
F8990073-M2832GI	1015
F8990073-M2833GI	1153
F8990073-M2834GI	1107
F8990073-M2835GI	1124
F8990073-M2836GI	1088
F8990073-M2837GI	976
F8990073-M2838GI	1121
F8990073-M2839GI	1088
F8990073-M2840GI	1038
F8990073-M2841GI	1222
F8990073-M2842GI	1176
F8990073-M2843GI	1006
F8990073-M2844GI	1173
F8990073-M2845GI	950
F8990073-M2846GI	1186
F8990073-M2847GI	891
F8990073-M2848GI	1052
F8990073-M2849GI	1002
F8990073-M2850GI	1124

F8990073-M2851GI	1157
F8990073-M2852GI	1190
F8990073-M2853GI	1196
F8990073-M2854GI	1038
F8990073-M2855GI	1144
F8990073-M2856GI	1029
F8990073-M2857GI	1114
F8990073-M2858GI	1160
F8990073-M2859GI	1094
F8990073-M2860GI	1183
F8990073-M2861GI	1150
F8990073-M2862GI	1124
F8990073-M2863GI	1222
F8990073-M2864GI	1180
F8990073-M2865GI	1282
F8990073-M2866GI	1147
F8990073-M2867GI	1229
F8990073-M2868GI	1291
F8990073-M2869GI	1311
F8990073-M2870GI	1193
F8990073-M2871GI	1216
F8990073-M2872GI	1222
F8990073-M2873GI	1255
F8990073-M2874GI	1282
F8990073-M2875GI	1272
F8990073-M2876GI	1370
F8990073-M2877GI	1357
F8990073-M2878GI	1311
F8990073-M2879GI	1472
F8990073-M2880GI	1354
F8990073-M2881GI	1420
F8990073-M2882GI	1423
F8990073-M2883GI	1775
F8990073-M2884GI	2077
F8990073-M2885GI	1909
F8990073-M2886GI	2034
F8990073-M2887GI	1985
F8990073-M2888GI	2060
F8990073-M2889GI	2235
F8990073-M2890GI	1909
F8990073-M2891GI	2024
F8990073-M2892GI	1909
F8990073-M2893GI	1719
F8990073-M2894GI	1669
F8990073-M2895GI	1673
F8990073-M2896GI	1584
F8990073-M2897GI	1610
F8990073-M2898GI	1623
F8990073-M2899GI	1545
F8990073-M2900GI	1370
F8990073-M2901GI	1232
F8990073-M2902GI	1364
F8990073-M2903GI	1443
F8990073-M2904GI	1489
F8990073-M2905GI	1492
F8990073-M2906GI	1459

F8990073-M2907GI	1423
F8990073-M2908GI	1443
F8990073-M2909GI	1459
F8990073-M2910GI	1597
F8990073-M2911GI	1384
F8990073-M2912GI	1331
F8990073-M2913GI	1324
F8990073-M2914GI	1232
F8990073-M2915GI	1305
F8990073-M2916GI	1176
F8990073-M2917GI	1351
F8990073-M2918GI	1321
F8990073-M2919GI	1318
F8990073-M2920GI	1433
F8990073-M2921GI	1232
F8990073-M2922GI	1305
F8990073-M2923GI	1334
F8990073-M2924GI	1232
F8990073-M2925GI	1321
F8990073-M2926GI	1239
F8990073-M2927GI	1213
F8990073-M2928GI	1285
F8990073-M2929GI	1305
F8990073-M2930GI	1163
F8990073-M2931GI	1255
F8990073-M2932GI	1337
F8990073-M2933GI	1252
F8990073-M2934GI	1308
F8990073-M2935GI	1219
F8990073-M2936GI	1305
F8990073-M2937GI	1130
F8990073-M2938GI	1104
F8990073-M2939GI	1147
F8990073-M2940GI	1183
F8990073-M2941GI	1420
F8990073-M2942GI	1962
F8990073-M2943GI	2067
F8990073-M2944GI	1916
F8990073-M2945GI	1844
F8990073-M2946GI	1669
F8990073-M2947GI	1827
F8990073-M2948GI	1824
F8990073-M2949GI	1242
F8990073-M2950GI	1150
F8990073-M2951GI	940
F8990073-M2952GI	1117
F8990073-M2953GI	1022
F8990073-M2954GI	1048
F8990073-M2955GI	956
F8990073-M2956GI	1147
F8990073-M2957GI	1101
F8990073-M2958GI	1150
F8990073-M2959GI	927
F8990073-M2960GI	976
F8990073-M2961GI	1255
F8990073-M2962GI	1015

F8990073-M2963GI	1078
F8990073-M2964GI	1084
F8990073-M2965GI	1098
F8990073-M2966GI	1124
F8990073-M2967GI	1038
F8990073-M2968GI	973
F8990073-M2969GI	1190
F8990073-M2970GI	1121
F8990073-M2971GI	1052
F8990073-M2972GI	1170
F8990073-M2973GI	1084
F8990073-M2974GI	953
F8990073-M2975GI	1160
F8990073-M2976GI	1084
F8990073-M2977GI	1009
F8990073-M2978GI	1032
F8990073-M2979GI	1042
F8990073-M2980GI	1015
F8990073-M2981GI	1140
F8990073-M2982GI	1124
F8990073-M2983GI	1075
F8990073-M2984GI	999
F8990073-M2985GI	1134
F8990073-M2986GI	933
F8990073-M2987GI	1045
F8990073-M2988GI	1088
F8990073-M2989GI	1035
F8990073-M2990GI	894
F8990073-M2991GI	1111
F8990073-M2992GI	1219
F8990073-M2993GI	1581
F8990073-M2994GI	1656
F8990073-M2995GI	1669
F8990073-M2996GI	1640
F8990073-M2997GI	1331
F8990073-M2998GI	1587
F8990073-M2999GI	1531
F8990073-M3000GI	1623
F8990073-M3001GI	1653
F8990073-M3002GI	1380
F8990073-M3003GI	1518
F8990073-M3004GI	1729
F8990073-M3005GI	1268
F8990073-M3006GI	1778
F8990073-M3007GI	1719
F8990073-M3008GI	1745
F8990073-M3009GI	1594
F8990073-M3010GI	1571
F8990073-M3011GI	1784
F8990073-M3012GI	1597
F8990073-M3013GI	1729
F8990073-M3014GI	1821
F8990073-M3015GI	1673
F8990073-M3016GI	1640
F8990073-M3017GI	1729
F8990073-M3018GI	1663

F8990073-M3019GI	1614
F8990073-M3020GI	1745
F8990073-M3021GI	1600
F8990073-M3022GI	1791
F8990073-M3023GI	1508
F8990073-M3024GI	1686
F8990073-M3025GI	1748
F8990073-M3026GI	1853
F8990073-M3027GI	1794
F8990073-M3028GI	1469
F8990073-M3029GI	1610
F8990073-M3030GI	1699
F8990073-M3031GI	1600
F8990073-M3032GI	1699
F8990073-M3033GI	1476
F8990073-M3034GI	1650
F8990073-M3035GI	1403
F8990073-M3036GI	1650
F8990073-M3037GI	1597
F8990073-M3038GI	1443
F8990073-M3039GI	1594
F8990073-M3040GI	1643
F8990073-M3041GI	1584
F8990073-M3042GI	1597
F8990073-M3043GI	1554
F8990073-M3044GI	1633
F8990073-M3045GI	1479
F8990073-M3046GI	1505
F8990073-M3047GI	1426
F8990073-M3048GI	1512
F8990073-M3049GI	1650
F8990073-M3050GI	1738
F8990073-M3051GI	1709
F8990073-M3052GI	1748
F8990073-M3053GI	1709
F8990073-M3054GI	1587
F8990073-M3055GI	1669
F8990073-M3056GI	1482
F8990073-M3057GI	1600
F8990073-M3058GI	1643
F8990073-M3059GI	1686
F8990073-M3060GI	1738
F8990073-M3061GI	1699
F8990073-M3062GI	1804
F8990073-M3063GI	1660
F8990073-M3064GI	1689
F8990073-M3065GI	1702
F8990073-M3066GI	1637
F8990073-M3067GI	1653
F8990073-M3068GI	1696
F8990073-M3069GI	1508
F8990073-M3070GI	1752
F8990073-M3071GI	1788
F8990073-M3072GI	1768
F8990073-M3073GI	1689
F8990073-M3074GI	1752

F8990073-M3075GI	1581
F8990073-M3076GI	1597
F8990073-M3077GI	1522
F8990073-M3078GI	1801
F8990073-M3079GI	1729
F8990073-M3080GI	1660
F8990073-M3081GI	1709
F8990073-M3082GI	1676
F8990073-M3083GI	1587
F8990073-M3084GI	1755
F8990073-M3085GI	1637
F8990073-M3086GI	1686
F8990073-M3087GI	1656
F8990073-M3088GI	1673
F8990073-M3089GI	1890
F8990073-M3090GI	1600
F8990073-M3091GI	1722
F8990073-M3092GI	1630
F8990073-M3093GI	1607
F8990073-M3094GI	1627
F8990073-M3095GI	1489
F8990073-M3096GI	1581
F8990073-M3097GI	1623
F8990073-M3098GI	1630
F8990073-M3099GI	1673
F8990073-M3100GI	1561
F8990073-M3101GI	1791
F8990073-M3102GI	1926
F8990073-M3128GI	1446
F8990073-M3129GI	1278
F8990073-M3130GI	1426
F8990073-M3131GI	1525
F8990073-M3132GI	1482
F8990073-M3133GI	1551
F8990073-M3134GI	1420
F8990073-M3135GI	1341
F8990073-M3136GI	1331
F8990073-M3137GI	1436
F8990073-M3138GI	1370
F8990073-M3139GI	1459
F8990073-M3140GI	1528
F8990073-M3141GI	1433
F8990073-M3142GI	1390
F8990073-M3143GI	1610
F8990073-M3144GI	1525
F8990073-M3145GI	1298
F8990073-M3146GI	1515
F8990073-M3147GI	1137
F8990073-M3148GI	1038
F8990073-M3153GI	1351
F8990073-M3154GI	1476
F8990073-M3155GI	1364
F8990073-M3156GI	1170
F8990073-M3157GI	1614
F8990073-M3158GI	1587
F8990073-M3159GI	1443

F8990073-M3160GI	1495
F8990073-M3161GI	1512
F8990073-M3162GI	1574
F8990073-M3163GI	1265
F8990073-M3164GI	1137
F8990073-M3165GI	986
F8990073-M3166GI	904
F8990073-M3167GI	1134
F8990073-M3168GI	1137
F8990073-M3169GI	1232
F8990073-M3170GI	1170
F8990073-M3171GI	1268
F8990073-M3172GI	1229
F8990073-M3173GI	1219
F8990073-M3174GI	1311
F8990073-M3175GI	1380
F8990073-M3176GI	1771
F8990073-M3177GI	1771
F8990073-M3178GI	1962
F8990073-M3179GI	1801
F8990073-M3180GI	1840
F8990073-M3181GI	1712
F8990073-M3182GI	1712
F8990073-M3183GI	1719
F8990073-M3203GI	1468
F8990073-M3204GI	1804
F8990073-M3205GI	1937
F8990073-M3206GI	2213
F8990073-M3207GI	2960
F8990073-M3208GI	3817
F8990073-M3209GI	5742
F8990073-M3210GI	2810
F8990073-M3211GI	3018
F8990073-M3212GI	3309
F8990073-M3213GI	2652
F8990073-M3214GI	3163
F8990073-M3215GI	3408
F8990073-M3216GI	3083
F8990073-M3217GI	3970
F8990073-M3218GI	2872
F8990073-M3219GI	2967
F8990073-M3220GI	2741
F8990073-M3221GI	2934
F8990073-M3222GI	3358
F8990073-M3223GI	2799
F8990073-M3224GI	2685
F8990073-M3225GI	2840
F8990073-M3226GI	2969
F8990073-M3227GI	2543
F8990073-M3228GI	2853
F8990073-M3229GI	2392
F8990073-M3230GI	2338
F8990073-M3231GI	2396
F8990073-M3232GI	2366
F8990073-M3233GI	2683
F8990073-M3234GI	2295

F8990073-M3235GI	2228
F8990073-M3236GI	2523
F8990073-M3237GI	2504
F8990073-M3238GI	3294
F8990073-M3239GI	4435
F8990073-M3240GI	7922
F8990073-M3241GI	11162
F8990073-M3242GI	4960
F8990073-M3243GI	3053
F8990073-M3244GI	2971
F8990073-M3245GI	3206
F8990073-M3246GI	3270
F8990073-M3247GI	3404
F8990073-M3248GI	6116
F8990073-M3249GI	4984
F8990073-M3250GI	4422
F8990073-M3251GI	3832
F8990073-M3252GI	3793
F8990073-M3253GI	3352
F8990073-M3254GI	4979
F8990073-M3255GI	3972
F8990073-M3256GI	3248
F8990073-M3257GI	4057
F8990073-M3258GI	4097
F8990073-M3259GI	5401
F8990073-M3260GI	10589
F8990073-M3261GI	1429
F8990073-M3262GI	1556
F8990073-M3263GI	1673
F8990073-M3264GI	1503
F8990073-M3265GI	1630
F8990073-M3266GI	1834
F8990073-M3267GI	1447
F8990073-M3268GI	1436
F8990073-M3269GI	1640
F8990073-M3270GI	1711
F8990073-M3271GI	1783
F8990073-M3272GI	1755
F8990073-M3273GI	1742
F8990073-M3274GI	1845
F8990073-M3275GI	1912
F8990073-M3276GI	1976
F8990073-M3277GI	2577
F8990073-M3278GI	2514
F8990073-M3279GI	2773
F8990073-M3280GI	3042
F8990073-M3281GI	3407
F8990073-M3282GI	3562
F8990073-M3283GI	3884
F8990073-M3284GI	4371
F8990073-M3285GI	4436
F8990073-M3286GI	4689
F8990073-M3287GI	4274
F8990073-M3288GI	4328
F8990073-M3289GI	4675
F8990073-M3290GI	4411

F8990073-M3291GI	4281
F8990073-M3292GI	4165
F8990073-M3293GI	4321
F8990073-M3294GI	4162
F8990073-M3295GI	4180
F8990073-M3296GI	4292
F8990073-M3297GI	4393
F8990073-M3298GI	4476
F8990073-M3299GI	4686
F8990073-M3300GI	4115
F8990073-M3301GI	1204
F8990073-M3302GI	1520
F8990073-M3303GI	1673
F8990073-M3304GI	1681
F8990073-M3305GI	1871
F8990073-M3306GI	2797
F8990073-M3307GI	3643
F8990073-M3308GI	2026
F8990073-M3309GI	1899
F8990073-M3310GI	2105
F8990073-M3311GI	2246
F8990073-M3312GI	2392
F8990073-M3313GI	2123
F8990073-M3314GI	2312
F8990073-M3315GI	1935
F8990073-M3316GI	1589
F8990073-M3317GI	1658
F8990073-M3318GI	1757
F8990073-M3319GI	1819
F8990073-M3320GI	1961
F8990073-M3321GI	1757
F8990073-M3322GI	2017
F8990073-M3323GI	2196
F8990073-M3324GI	2641
F8990073-M3325GI	2936
F8990073-M3326GI	2450
F8990073-M3327GI	2120
F8990073-M3328GI	2172
F8990073-M3329GI	2739
F8990073-M3330GI	2009
F8990073-M3331GI	2069
F8990073-M3332GI	2022
F8990073-M3333GI	2260
F8990073-M3334GI	2454
F8990073-M3335GI	2265
F8990073-M3336GI	2019
F8990073-M3337GI	2106
F8990073-M3338GI	2026
F8990073-M3339GI	2052
F8990073-M3340GI	1922
F8990073-M3341GI	2373
F8990073-M3342GI	1927
F8990073-M3343GI	2121
F8990073-M3344GI	2293
F8990073-M3345GI	1759
F8990073-M3346GI	1699

F8990073-M3347GI	1862
F8990073-M3348GI	1673
F8990073-M3349GI	1944
F8990073-M3350GI	1951
F8990073-M3351GI	1927
F8990073-M3352GI	1871
F8990073-M3353GI	1993
F8990073-M3354GI	1993
F8990073-M3355GI	1944
F8990073-M3356GI	2134
F8990073-M3357GI	1951
F8990073-M3358GI	1936
F8990073-M3359GI	1941
F8990073-M3360GI	1647
F8990073-M3361GI	1686
F8990073-M3362GI	1508
F8990073-M3363GI	1662
F8990073-M3364GI	1773
F8990073-M3365GI	1782
F8990073-M3366GI	1705
F8990073-M3367GI	1927
F8990073-M3368GI	1821
F8990073-M3369GI	1513
F8990073-M3370GI	1551
F8990073-M3371GI	1618
F8990073-M3372GI	1484
F8990073-M3373GI	1590
F8990073-M3374GI	1797
F8990073-M3375GI	1681
F8990073-M3376GI	1773
F8990073-M3377GI	1768
F8990073-M3378GI	1850
F8990073-M3379GI	1855
F8990073-M3380GI	1749
F8990073-M3381GI	1643
F8990073-M3382GI	1830
F8990073-M3383GI	1749
F8990073-M3384GI	1802
F8990073-M3385GI	1859
F8990073-M3386GI	1715
F8990073-M3387GI	2086
F8990073-M3388GI	2038
F8990073-M3389GI	1917
F8990073-M3390GI	1912
F8990073-M3391GI	1657
F8990073-M3392GI	1130
F8990073-M3393GI	1084
F8990073-M3394GI	1199
F8990073-M3395GI	1019
F8990073-M3396GI	1140
F8990073-M3397GI	1242
F8990073-M3398GI	1061
F8990073-M3399GI	1232
F8990073-M3400GI	1275
F8990073-M3401GI	1558
F8990073-M3402GI	1301

F8990073-M3403GI	1183
F8990073-M3404GI	1278
F8990073-M3405GI	1282
F8990073-M3406GI	1268
F8990073-M3407GI	1252
F8990073-M3408GI	1347
F8990073-M3409GI	1012
F8990073-M3410GI	1098
F8990073-M3411GI	1012
F8990073-M3412GI	1081
F8990073-M3413GI	983
F8990073-M3414GI	838
F8990073-M3415GI	973
F8990073-M3416GI	904
F8990073-M3417GI	907
F8990073-M3418GI	877
F8990073-M3419GI	1022
F8990073-M3420GI	1147
F8990073-M3421GI	871
F8990073-M3422GI	1025
F8990073-M3423GI	1114
F8990073-M3424GI	1308
F8990073-M3425GI	1278
F8990073-M3426GI	1259
F8990073-M3427GI	1249
F8990073-M3428GI	1341
F8990073-M3429GI	1387
F8990073-M3430GI	1541
F8990073-M3431GI	1314
F8990073-M3432GI	1367
F8990073-M3433GI	1360
F8990073-M3434GI	1354
F8990073-M3435GI	1364
F8990073-M3436GI	1387
F8990073-M3437GI	1360
F8990073-M3438GI	1446
F8990073-M3439GI	1377
F8990073-M3440GI	1232
F8990073-M3441GI	1265
F8990073-M3442GI	1134
F8990073-M3443GI	1499
F8990073-M3444GI	1423
F8990073-M3445GI	1347
F8990073-M3446GI	1416
F8990073-M3447GI	1393
F8990073-M3448GI	1420
F8990073-M3449GI	1522
F8990073-M3450GI	1436
F8990073-M3451GI	1147
F8990073-M3452GI	1321
F8990073-M3453GI	1311
F8990073-M3454GI	1272
F8990073-M3455GI	1094
F8990073-M3456GI	1163
F8990073-M3457GI	1186
F8990073-M3458GI	1433

F8990073-M3459GI	1288
F8990073-M3460GI	1390
F8990073-M3461GI	1374
F8990073-M3462GI	1416
F8990073-M3463GI	1341
F8990073-M3464GI	1449
F8990073-M3465GI	1446
F8990073-M3466GI	1341
F8990073-M3467GI	1495
F8990073-M3468GI	1462
F8990073-M3469GI	1476
F8990073-M3470GI	1403
F8990073-M3471GI	1482
F8990073-M3472GI	1541
F8990073-M3473GI	1400
F8990073-M3474GI	1535
F8990073-M3475GI	1505
F8990073-M3476GI	1305
F8990073-M3477GI	1393
F8990073-M3478GI	1367
F8990073-M3479GI	1426
F8990073-M3480GI	1448
F8990073-M3481GI	1699
F8990073-M3482GI	1836
F8990073-M3483GI	1846
F8990073-M3484GI	1957
F8990073-M3485GI	2017
F8990073-M3486GI	2036
F8990073-M3487GI	1972
F8990073-M3488GI	1931
F8990073-M3489GI	1899
F8990073-M3490GI	1988
F8990073-M3491GI	1932
F8990073-M3492GI	1943
F8990073-M3493GI	1992
F8990073-M3494GI	2016
F8990073-M3495GI	1948
F8990073-M3496GI	1842
F8990073-M3497GI	1740
F8990073-M3498GI	1831
F8990073-M3499GI	1749
F8990073-M3500GI	1942
F8990073-M3501GI	2116
F8990073-M3502GI	2065
F8990073-M3503GI	2027
F8990073-M3504GI	2121
F8990073-M3505GI	2055
F8990073-M3506GI	2134
F8990073-M3507GI	2072
F8990073-M3508GI	2023
F8990073-M3509GI	1980
F8990073-M3510GI	1769
F8990073-M3511GI	2075
F8990073-M3512GI	2214
F8990073-M3513GI	2213
F8990073-M3514GI	2240

F8990073-M3515GI	2239
F8990073-M3516GI	1875
F8990073-M3517GI	1955
F8990073-M3518GI	1930
F8990073-M3519GI	1917
F8990073-M3520GI	1938
F8990073-M3522GI	1209
F8990073-M3523GI	1420
F8990073-M3524GI	1403
F8990073-M3525GI	1183
F8990073-M3526GI	1278
F8990073-M3527GI	1337
F8990073-M3528GI	1548
F8990073-M3529GI	1472
F8990073-M3530GI	1374
F8990073-M3531GI	1239
F8990073-M3532GI	1357
F8990073-M3533GI	1291
F8990073-M3534GI	1439
F8990073-M3535GI	1453
F8990073-M3536GI	1400
F8990073-M3537GI	1311
F8990073-M3538GI	1403
F8990073-M3539GI	1318
F8990073-M3540GI	1446
F8990073-M3541GI	1337
F8990073-M3542GI	1522
F8990073-M3543GI	1190
F8990073-M3544GI	1127
F8990073-M3545GI	1048
F8990073-M3546GI	1002
F8990073-M3547GI	960
F8990073-M3548GI	1081
F8990073-M3549GI	966
F8990073-M3550GI	1130
F8990073-M3551GI	927
F8990073-M3552GI	946
F8990073-M3553GI	963
F8990073-M3554GI	933
F8990073-M3555GI	953
F8990073-M3556GI	989
F8990073-M3557GI	1002
F8990073-M3558GI	1006
F8990073-M3559GI	1029
F8990073-M3560GI	963
F8990073-M3561GI	946
F8990073-M3562GI	871
F8990073-M3563GI	881
F8990073-M3564GI	1311
F8990073-M3565GI	973
F8990073-M3566GI	1055
F8990073-M3567GI	1061
F8990073-M3568GI	989
F8990073-M3569GI	1107
F8990073-M3570GI	1255
F8990073-M3571GI	1252

F8990073-M3572GI	1098
F8990073-M3573GI	1134
F8990073-M3574GI	1137
F8990073-M3575GI	1167
F8990073-M3576GI	1002
F8990073-M3581GI	1360
F8990073-M3582GI	1168
F8990073-M3583GI	1066
F8990073-M3584GI	1177
F8990073-M3585GI	1263
F8990073-M3586GI	1097
F8990073-M3587GI	1178
F8990073-M3588GI	1050
F8990073-M3589GI	1183
F8990073-M3590GI	1229
F8990073-M3591GI	1267
F8990073-M3592GI	1263
F8990073-M3593GI	1330
F8990073-M3594GI	1301
F8990073-M3595GI	1121
F8990073-M3596GI	1153
F8990073-M3597GI	1408
F8990073-M3598GI	2000
F8990073-M3599GI	2327
F8990073-M3600GI	2445
F8990073-M3601GI	2488
F8990073-M3602GI	2481
F8990073-M3603GI	2564
F8990073-M3604GI	2446
F8990073-M3605GI	2529
F8990073-M3606GI	2436
F8990073-M3607GI	2343
F8990073-M3608GI	2360
F8990073-M3609GI	1199
F8990073-M3610GI	1479
F8990073-M3611GI	1298
F8990073-M3612GI	1212
F8990073-M3613GI	1281
F8990073-M3614GI	1289
F8990073-M3615GI	1274
F8990073-M3616GI	1292
F8990073-M3617GI	2673
F8990073-M3618GI	2569
F8990073-M3619GI	2387
F8990073-M3620GI	2331
F8990073-M3621GI	2353
F8990073-M3622GI	2380
F8990073-M3623GI	2353
F8990073-M3624GI	2433
F8990073-M3625GI	2453
F8990073-M3626GI	2425
F8990073-M3627GI	2416
F8990073-M3628GI	2400
F8990073-M3629GI	2454
F8990073-M3630GI	2401
F8990073-M3631GI	2430

F8990073-M3632GI	2397
F8990073-M3633GI	2407
F8990073-M3634GI	2408
F8990073-M3635GI	2421
F8990073-M3636GI	2354
F8990073-M3637GI	2395
F8990073-M3638GI	2427
F8990073-M3639GI	2388
F8990073-M3640GI	2385
F8990073-M3641GI	2402
F8990073-M3642GI	2411
F8990073-M3643GI	2418
F8990073-M3644GI	2477
F8990073-M3645GI	2430
F8990073-M3646GI	2573
F8990073-M3647GI	2478
F8990073-M3648GI	2503
F8990073-M3649GI	2394
F8990073-M3650GI	2353
F8990073-M3651GI	2375
F8990073-M3652GI	2374
F8990073-M3653GI	2387
F8990073-M3654GI	2551
F8990073-M3655GI	2702
F8990073-M3656GI	2832
F8990073-M3657GI	3421
F8990073-M3658GI	3609
F8990073-M3659GI	2999
F8990073-M3660GI	3652
F8990073-M3661GI	2847
F8990073-M3662GI	3450
F8990073-M3663GI	2630
F8990073-M3664GI	3710
F8990073-M3665GI	3501
F8990073-M3666GI	3186
F8990073-M3667GI	2984
F8990073-M3668GI	3270
F8990073-M3669GI	3270
F8990073-M3670GI	3602
F8990073-M3671GI	3270
F8990073-M3672GI	3584
F8990073-M3673GI	3197
F8990073-M3674GI	3107
F8990073-M3675GI	3385
F8990073-M3676GI	3439
F8990073-M3677GI	3533
F8990073-M3678GI	3230
F8990073-M3679GI	3432
F8990073-M3680GI	3638
F8990073-M3681GI	3790
F8990073-M3682GI	3949
F8990073-M3683GI	2486
F8990073-M3684GI	4964
F8990073-M3685GI	5177
F8990073-M3686GI	5011
F8990073-M3687GI	5116

F8990073-M3688GI	2679
F8990073-M3689GI	2503
F8990073-M3690GI	2417
F8990073-M3691GI	2321
F8990073-M3692GI	2413
F8990073-M3693GI	2357
F8990073-M3694GI	2429
F8990073-M3695GI	2421
F8990073-M3696GI	2412
F8990073-M3697GI	2403
F8990073-M3698GI	2422
F8990073-M3699GI	2427
F8990073-M3700GI	2411
F8990073-M3701GI	2337
F8990073-M3702GI	2485
F8990073-M3703GI	2495
F8990073-M3704GI	2457
F8990073-M3705GI	2436
F8990073-M3706GI	2480
F8990073-M3707GI	2462
F8990073-M3708GI	2446
F8990073-M3709GI	2505
F8990073-M3710GI	2468
F8990073-M3711GI	2516
F8990073-M3712GI	2494
F8990073-M3713GI	2512
F8990073-M3714GI	2451
F8990073-M3715GI	2391
F8990073-M3716GI	2391
F8990073-M3717GI	2411
F8990073-M3718GI	2430
F8990073-M3719GI	4904
F8990073-M3720GI	2647
F8990073-M3721GI	2436
F8990073-M3722GI	2502
F8990073-M3723GI	2416
F8990073-M3724GI	2434
F8990073-M3725GI	2391
F8990073-M3726GI	2466
F8990073-M3727GI	2386
F8990073-M3728GI	2261
F8990073-M3729GI	2330
F8990073-M3730GI	2369
F8990073-M3731GI	2219
F8990073-M3732GI	2247
F8990073-M3733GI	2323
F8990073-M3734GI	2305
F8990073-M3735GI	2327
F8990073-M3736GI	2314
F8990073-M3737GI	2365
F8990073-M3738GI	2423
F8990073-M3739GI	2376
F8990073-M3740GI	2510
F8990073-M3741GI	2705
F8990073-M3742GI	2969
F8990073-M3743GI	2994

F8990073-M3744GI	3090
F8990073-M3745GI	3018
F8990073-M3746GI	2247
F8990073-M3747GI	1808
F8990073-M3748GI	1724
F8990073-M3749GI	2179
F8990073-M3750GI	2100
F8990073-M3751GI	1847
F8990073-M3752GI	1787
F8990073-M3753GI	1980
F8990073-M3754GI	1477
F8990073-M3755GI	1165
F8990073-M3756GI	1346
F8990073-M3757GI	1087
F8990073-M3758GI	1382
F8990073-M3759GI	1436
F8990073-M3760GI	1897
F8990073-M3761GI	1966
F8990073-M3762GI	2523
F8990073-M3763GI	2426
F8990073-M3764GI	2192
F8990073-M3765GI	1477
F8990073-M3766GI	1408
F8990073-M3767GI	1468
F8990073-M3768GI	1253
F8990073-M3769GI	1395
F8990073-M3770GI	1886
F8990073-M3771GI	1929
F8990073-M3772GI	2088
F8990073-M3773GI	1709
F8990073-M3774GI	1776
F8990073-M3775GI	1458
F8990073-M3776GI	1587
F8990073-M3777GI	2058
F8990073-M3778GI	2041
F8990073-M3779GI	1993
F8990073-M3780GI	1767
F8990073-M3781GI	1556
F8990073-M3782GI	1608
F8990073-M3783GI	3298
F8990073-M3784GI	4019
F8990073-M3785GI	3643
F8990073-M3786GI	4760
F8990073-M3787GI	4745
F8990073-M3788GI	4431
F8990073-M3789GI	4291
F8990073-M3790GI	4616
F8990073-M3791GI	5298
F8990073-M3792GI	4450
F8990073-M3793GI	4945
F8990073-M3794GI	4954
F8990073-M3795GI	4564
F8990073-M3796GI	5033
F8990073-M3797GI	5053
F8990073-M3798GI	4665
F8990073-M3799GI	4452

F8990073-M3800GI	4067
F8990073-M3801GI	3485
F8990073-M3802GI	2880
F8990073-M3803GI	3266
F8990073-M3804GI	4211
F8990073-M3805GI	3798
F8990073-M3806GI	3415
F8990073-M3807GI	2792
F8990073-M3808GI	2075
F8990073-M3809GI	2204
F8990073-M3810GI	2041
F8990073-M3811GI	1306
F8990073-M3812GI	1072
F8990073-M3813GI	1212
F8990073-M3814GI	1151
F8990073-M3815GI	1097
F8990073-M3816GI	1201
F8990073-M3817GI	1295
F8990073-M3818GI	1553
F8990073-M3819GI	1728
F8990073-M3820GI	1857
F8990073-M3821GI	2452
F8990073-M3822GI	2241
F8990073-M3823GI	2099
F8990073-M3824GI	2449
F8990073-M3825GI	3566
F8990073-M3826GI	2279
F8990073-M3827GI	2979
F8990073-M3828GI	3917
F8990073-M3829GI	3672
F8990073-M3830GI	3448
F8990073-M3831GI	4200
F8990073-M3832GI	3182
F8990073-M3833GI	2625
F8990073-M3834GI	3031
F8990073-M3835GI	3638
F8990073-M3836GI	3129
F8990073-M3837GI	2765
F8990073-M3838GI	2724
F8990073-M3839GI	3016
F8990073-M3840GI	3700
F8990073-M3841GI	4295
F8990073-M3842GI	5285
F8990073-M3843GI	5452
F8990073-M3844GI	5976
F8990073-M3845GI	5972
F8990073-M3846GI	5943
F8990073-M3847GI	5959
F8990073-M3848GI	6521
F8990073-M3849GI	6593
F8990073-M3850GI	2076
F8990073-M3851GI	1942
F8990073-M3852GI	1970
F8990073-M3853GI	1941
F8990073-M3854GI	1988
F8990073-M3855GI	1982

F8990073-M3856GI	2027
F8990073-M3857GI	2050
F8990073-M3858GI	2085
F8990073-M3859GI	2067
F8990073-M3860GI	2070
F8990073-M3861GI	1980
F8990073-M3862GI	2195
F8990073-M3863GI	2063
F8990073-M3864GI	1785
F8990073-M3865GI	1611
F8990073-M3866GI	1665
F8990073-M3867GI	1545
F8990073-M3868GI	1607
F8990073-M3869GI	1577
F8990073-M3870GI	1611
F8990073-M3871GI	1682
F8990073-M3872GI	1635
F8990073-M3873GI	1689
F8990073-M3874GI	1870
F8990073-M3875GI	1906
F8990073-M3876GI	1731
F8990073-M3877GI	1684
F8990073-M3878GI	1768
F8990073-M3879GI	1814
F8990073-M3880GI	1923
F8990073-M3881GI	1972
F8990073-M3882GI	1991
F8990073-M3883GI	2271
F8990073-M3884GI	2363
F8990073-M3885GI	3146
F8990073-M3886GI	2249
F8990073-M3887GI	2156
F8990073-M3888GI	2155
F8990073-M3889GI	2163
F8990073-M3890GI	2128
F8990073-M3891GI	1995
F8990073-M3892GI	2023
F8990073-M3893GI	1954
F8990073-M3894GI	1959
F8990073-M3895GI	2262
F8990073-M3896GI	2158
F8990073-M3897GI	1886
F8990073-M3898GI	2002
F8990073-M3899GI	2104
F8990073-M3900GI	1712
F8990073-M3901GI	1587
F8990073-M3902GI	1532
F8990073-M3903GI	1550
F8990073-M3904GI	1768
F8990073-M3905GI	2366
F8990073-M3906GI	2454
F8990073-M3907GI	1820
F8990073-M3908GI	2227
F8990073-M3909GI	2730
F8990073-M3910GI	2608
F8990073-M3911GI	2737

F8990073-M3912GI	2846
F8990073-M3913GI	2744
F8990073-M3914GI	1130
F8990073-M3915GI	1236
F8990073-M3916GI	1100
F8990073-M3917GI	1246
F8990073-M3918GI	1225
F8990073-M3919GI	1399
F8990073-M3920GI	1402
F8990073-M3921GI	1345
F8990073-M3922GI	1386
F8990073-M3923GI	1352
F8990073-M3924GI	1350
F8990073-M3925GI	1246
F8990073-M3926GI	1242
F8990073-M3927GI	1526
F8990073-M3928GI	1384
F8990073-M3929GI	3248
F8990073-M3930GI	3118
F8990073-M3931GI	3284
F8990073-M3932GI	3490
F8990073-M3933GI	3345
F8990073-M3934GI	2905
F8990073-M3935GI	2634
F8990073-M3936GI	3526
F8990073-M3937GI	3667
F8990073-M3938GI	3367
F8990073-M3939GI	4021
F8990073-M3940GI	4053
F8990073-M3941GI	3761
F8990073-M3942GI	3761
F8990073-M3943GI	3898
F8990073-M3944GI	3793
F8990073-M3945GI	3974
F8990073-M3946GI	5166
F8990073-M3947GI	4512
F8990073-M3948GI	3761
F8990073-M3949GI	3710
F8990073-M3950GI	4017
F8990073-M3951GI	4364
F8990073-M3952GI	5094
F8990073-M3953GI	4635
F8990073-M3954GI	4762
F8990073-M3955GI	4913
F8990073-M3956GI	4772
F8990073-M3957GI	4830
F8990073-M3958GI	3811
F8990073-M3959GI	3522
F8990073-M3960GI	3071
F8990073-M3961GI	3342
F8990073-M3962GI	3450
F8990073-M3963GI	3176
F8990073-M3964GI	3176
F8990073-M3965GI	3042
F8990073-M3966GI	3515
F8990073-M3967GI	3092

F8990073-M3968GI	3447
F8990073-M3969GI	3717
F8990073-M3970GI	3645
F8990073-M3971GI	3764
F8990073-M3972GI	3696
F8990073-M3973GI	3804
F8990073-M3974GI	3804
F8990073-M3975GI	3584
F8990073-M3976GI	3631
F8990073-M3977GI	3569
F8990073-M3978GI	3754
F8990073-M3979GI	4039
F8990073-M3980GI	3584
F8990073-M3981GI	3356
F8990073-M3982GI	3371
F8990073-M3983GI	3071
F8990073-M3984GI	1916
F8990073-M3985GI	1653
F8990073-M3986GI	1374
F8990073-M3987GI	1427
F8990073-M3988GI	1632
F8990073-M3989GI	1740
F8990073-M3990GI	1733
F8990073-M3991GI	1940
F8990073-M3992GI	1985
F8990073-M3993GI	2979
F8990073-M3994GI	2004
F8990073-M3995GI	1976
F8990073-M3996GI	1890
F8990073-M3997GI	2558
F8990073-M3998GI	2267
F8990073-M3999GI	2820
F8990073-M4000GI	3266
F8990073-M4001GI	2844
F8990073-M4002GI	2549
F8990073-M4003GI	2482
F8990073-M4004GI	2194
F8990073-M4005GI	2000
F8990073-M4006GI	2224
F8990073-M4007GI	2062
F8990073-M4008GI	1634
F8990073-M4009GI	1531
F8990073-M4010GI	1584
F8990073-M4011GI	1828
F8990073-M4012GI	1845
F8990073-M4013GI	1711
F8990073-M4014GI	1681
F8990073-M4015GI	1804
F8990073-M4016GI	1903
F8990073-M4017GI	1838
F8990073-M4018GI	1875
F8990073-M4019GI	1838
F8990073-M4020GI	1735
F8990073-M4021GI	2022
F8990073-M4022GI	1845
F8990073-M4023GI	1737

F8990073-M4024GI	1712
F8990073-M4025GI	1946
F8990073-M4026GI	2121
F8990073-M4027GI	2583
F8990073-M4028GI	3841
F8990073-M4029GI	18816
F8990073-M4030GI	30086
F8990073-M4031GI	19212
F8990073-M4032GI	8577
F8990073-M4033GI	7199
F8990073-M4034GI	3817
F8990073-M4035GI	2616
F8990073-M4036GI	2202
F8990073-M4037GI	2075
F8990073-M4038GI	1985
F8990073-M4039GI	1950
F8990073-M4040GI	2034
F8990073-M4041GI	1937
F8990073-M4042GI	1940
F8990073-M4043GI	1774
F8990073-M4044GI	2047
F8990073-M4045GI	2073
F8990073-M4046GI	1998
F8990073-M4047GI	1582
F8990073-M4048GI	1591
F8990073-M4049GI	1597
F8990073-M4050GI	1711
F8990073-M4051GI	1617
F8990073-M4052GI	1653
F8990073-M4053GI	1470
F8990073-M4054GI	1479
F8990073-M4055GI	1830
F8990073-M4056GI	1655
F8990073-M4057GI	1520
F8990073-M4058GI	1867
F8990073-M4059GI	1813
F8990073-M4060GI	1679
F8990073-M4061GI	1752
F8990073-M4062GI	2058
F8990073-M4063GI	2043
F8990073-M4064GI	1653
F8990073-M4065GI	1628
F8990073-M4066GI	1509
F8990073-M4067GI	1675
F8990073-M4068GI	2176
F8990073-M4069GI	2148
F8990073-M4070GI	2120
F8990073-M4071GI	2103
F8990073-M4072GI	1696
F8990073-M4073GI	1522
F8990073-M4074GI	2183
F8990073-M4075GI	1929
F8990073-M4076GI	1897
F8990073-M4077GI	4938
F8990073-M4078GI	3432
F8990073-M4079GI	2932

F8990073-M4080GI	2509
F8990073-M4081GI	1150
F8990073-M4082GI	1865
F8990073-M4083GI	2138
F8990073-M4084GI	2198
F8990073-M4085GI	2301
F8990073-M4086GI	2311
F8990073-M4087GI	2270
F8990073-M4088GI	2274
F8990073-M4089GI	2271
F8990073-M4090GI	2067
F8990073-M4091GI	1958
F8990073-M4092GI	2329
F8990073-M4093GI	3651
F8990073-M4094GI	3600
F8990073-M4095GI	3074
F8990073-M4096GI	3169
F8990073-M4097GI	3120
F8990073-M4098GI	3630
F8990073-M4099GI	4028
F8990073-M4100GI	3481
F8990073-M4101GI	3625
F8990073-M4102GI	3849
F8990073-M4103GI	4827
F8990073-M4104GI	8725
F8990073-M4105GI	6753
F8990073-M4106GI	6439
F8990073-M4107GI	2924
F8990073-M4108GI	2351
F8990073-M4109GI	2384
F8990073-M4110GI	2683
F8990073-M4111GI	3007
F8990073-M4112GI	3532
F8990073-M4113GI	3980
F8990073-M4114GI	4382
F8990073-M4115GI	4751
F8990073-M4116GI	4329
Mean:	2236
Median:	1730
Standard Deviation:	2445
Range:	818 - 50087

Survey Unit Data Assessment:

The survey design required 3997 direct measurements for the Sign Test. The critical value and the results of the Sign Test are presented in Table 4. The sample mean and median values were less than the DCGL. The sample standard deviation was less than the design standard deviation so no additional samples were required.

Table 4. Data Assessment Results

Survey Results Parameter	Value	Comment	
Material Background Used (dpm/100 cm ²):	N/A	Average Ambient BKG = 0	
Ambient Background Used (dpm/100 cm ²):	N/A		
Actual Direct Measurements (N):	3997		
Median (dpm/100 cm ²):	1730		
Mean (dpm/100 cm ²):	2236		
Direct Measurement Standard Deviation	2445		
(dpm/100 cm ²):			
Total Standard Deviation (dpm/100 cm ²):	2445		Based on samples and backgrounds.
Maximum (dpm/100 cm ²):	50087		
Material Type:	N/A		Background Subtract Not Applied
Sign Test Final N Value:	3997		
S+ Value:	3997		
Critical Value:	2050		
Sufficient Samples Collected:	Yes		
Maximum Value < DCGL:	Yes		
Median Value < DCGL:	Yes		
Mean Value < DCGL:	Yes		
Maximum Value < DCGL_{mc}:	Yes	Class 1	
Total Standard Deviation <= Sigma:	Yes		
Pass the Sign Test?	Yes		
Reject the Null Hypothesis?	Yes		
Does the Survey Unit Pass All Criteria?	Yes		

Survey Unit Investigations and Results:

No investigations were required and no investigation results are reported.

ALARA Statement:

As stated in Chapter 4 of the LTP, as long as the residual activity within the survey unit is less than the DCGL (i.e. the survey unit average activity is less than the DCGL and the EMC criterion has been met), the ALARA criterion has been met.

Changes in Initial Survey Unit Assumptions:

The survey unit was designed as a Class 1 structure survey and the sample results are consistent with that classification. The variability of the survey results was less than the characterization data used for survey design. No potential areas of elevated activity were detected.

Conclusion:

The FSS of this survey unit was properly designed as a Class 1 survey based on Table 5-4 of the LTP. The required number of direct measurements was made and the scan coverage met the requirement of the LTP for pipe surveys. No direct measurements exceeded the DCGL of 100000 dpm/100 cm². This system will be grouted. No investigations were required.

The direct measurement data support rejection of the null hypothesis, providing high confidence that the survey unit satisfied the release criteria and that the data quality objectives were met.

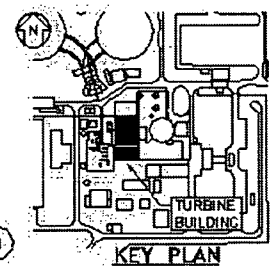
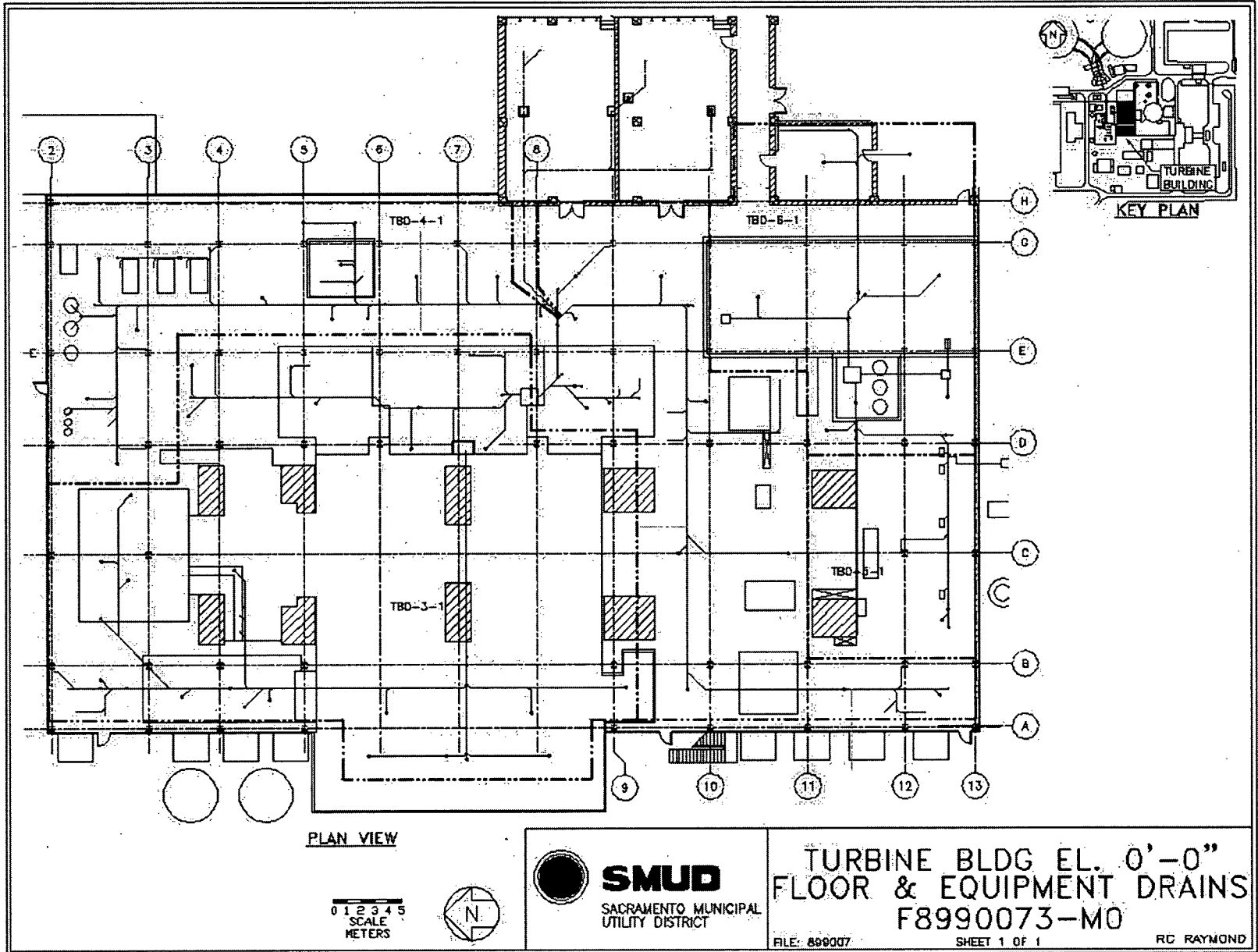
It is concluded that survey unit F8990073 meets the release criteria of 10CFR20.1402.

Attachment 1

Maps

April 4, 2008

Survey Unit F8990073



PLAN VIEW

0 1 2 3 4 5
SCALE
METERS



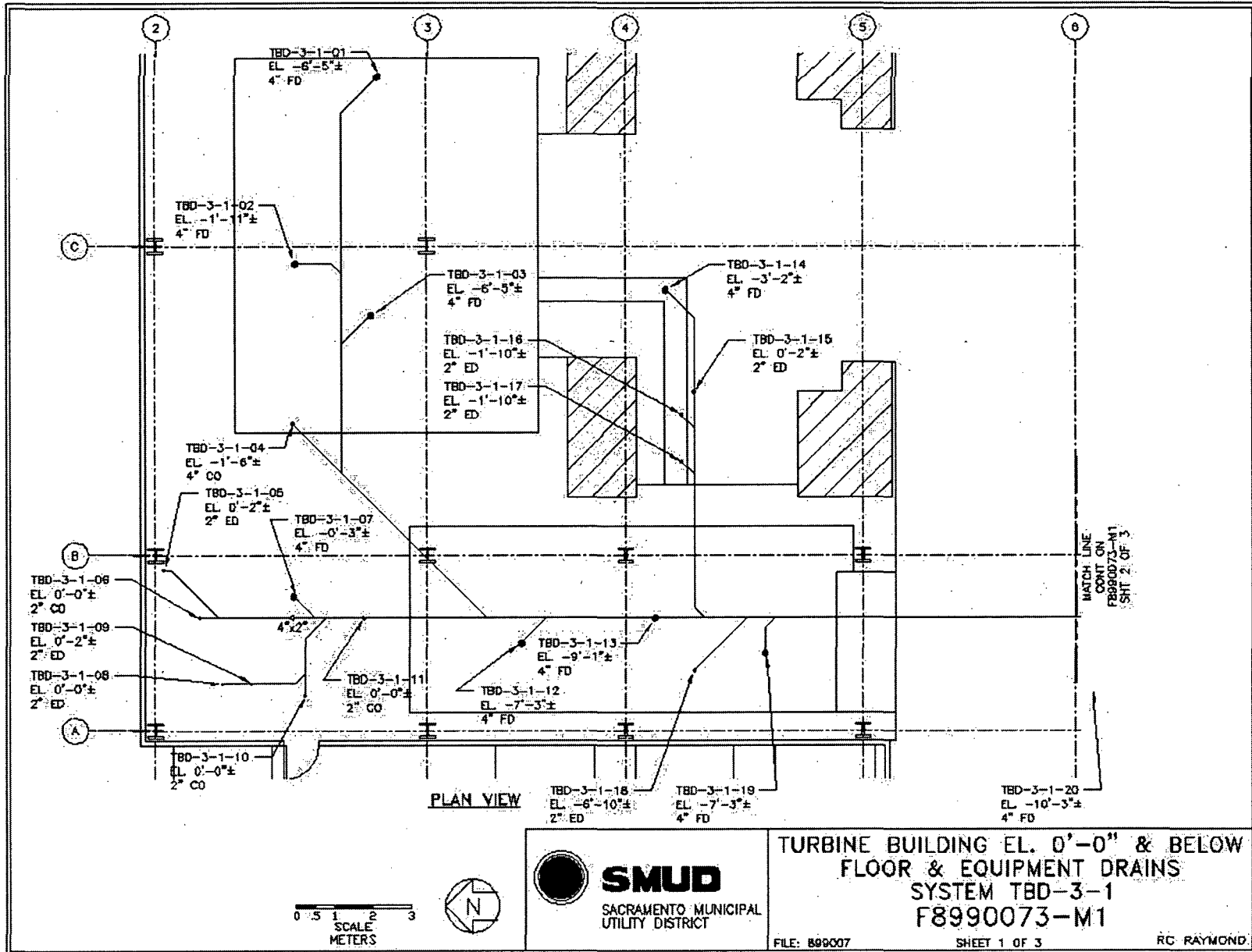
SMUD
SACRAMENTO MUNICIPAL
UTILITY DISTRICT

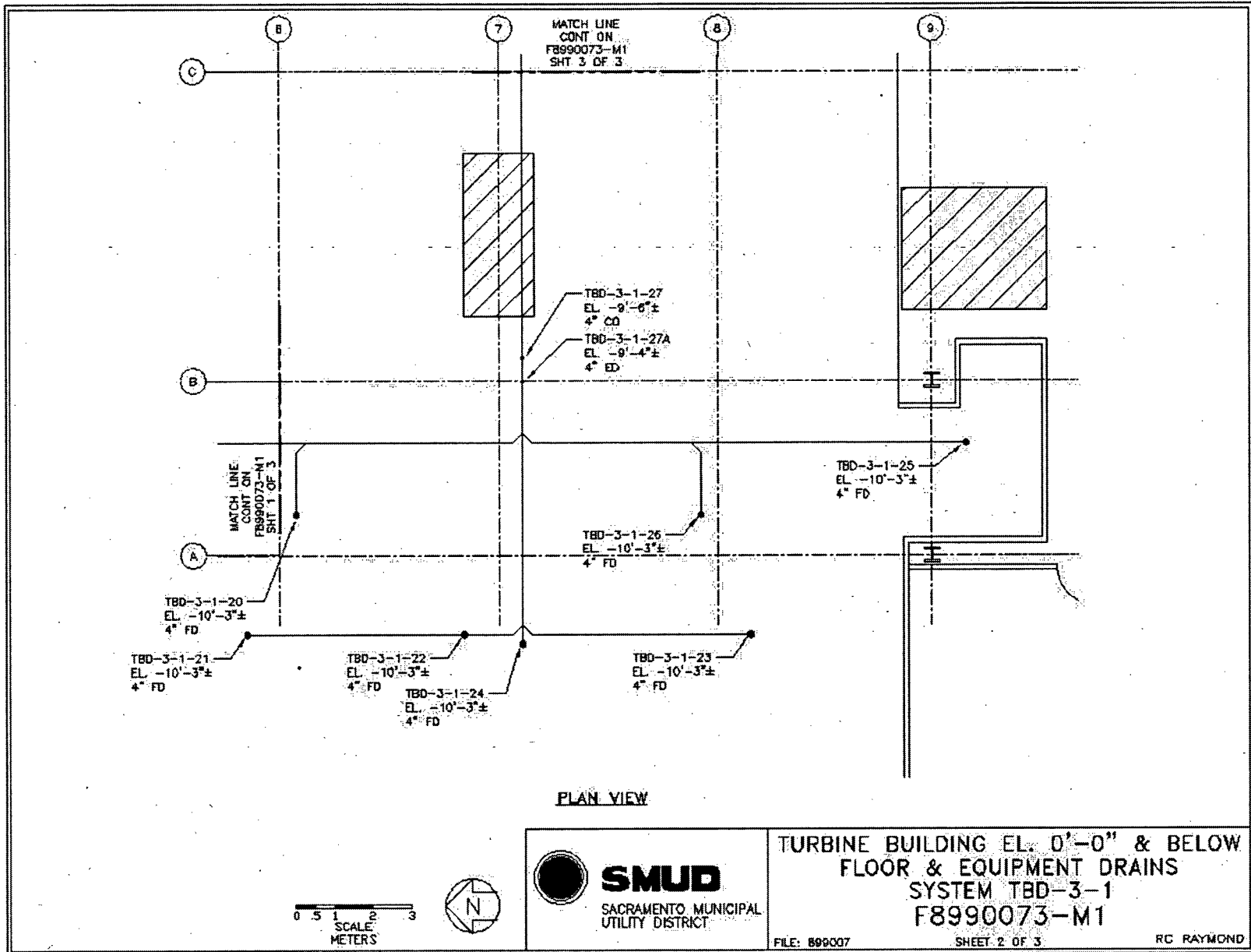
TURBINE BLDG EL. 0'-0"
FLOOR & EQUIPMENT DRAINS
F8990073-M0

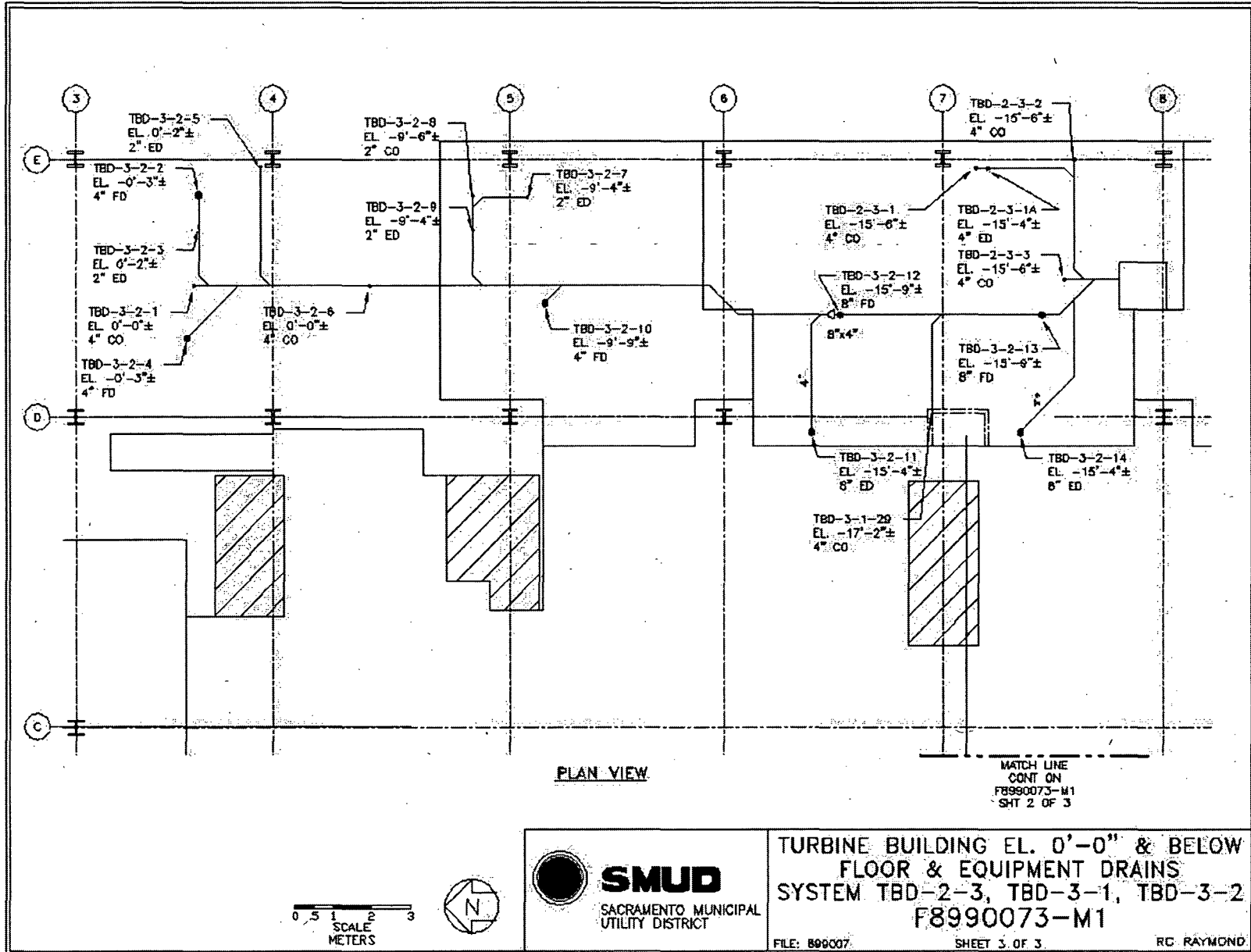
FILE: 899007

SHEET 1 OF 1

RC RAYMOND







PLAN VIEW

MATCH LINE
CONT ON
F8990073-M1
SHT 2 OF 3



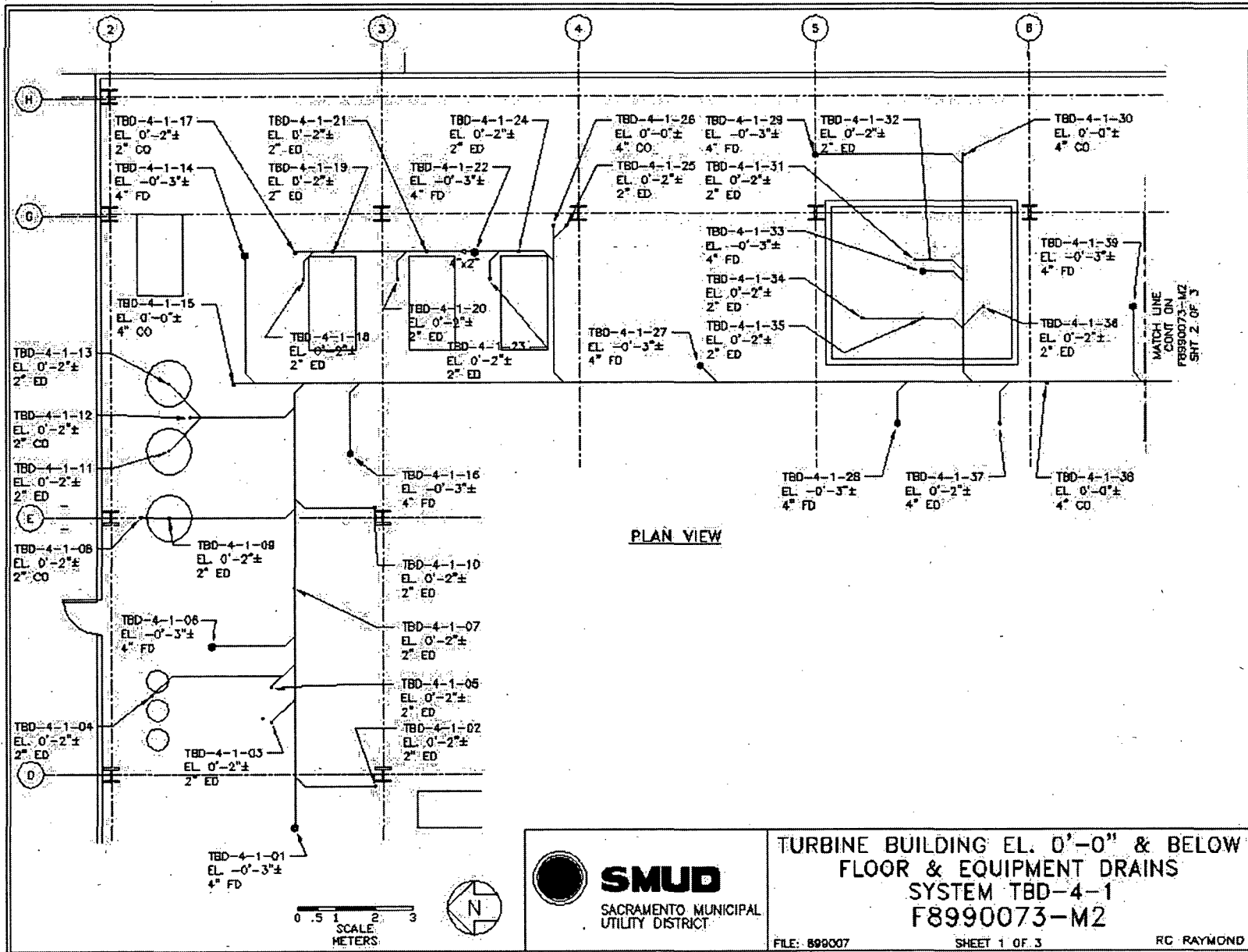
SMUD
SACRAMENTO MUNICIPAL
UTILITY DISTRICT

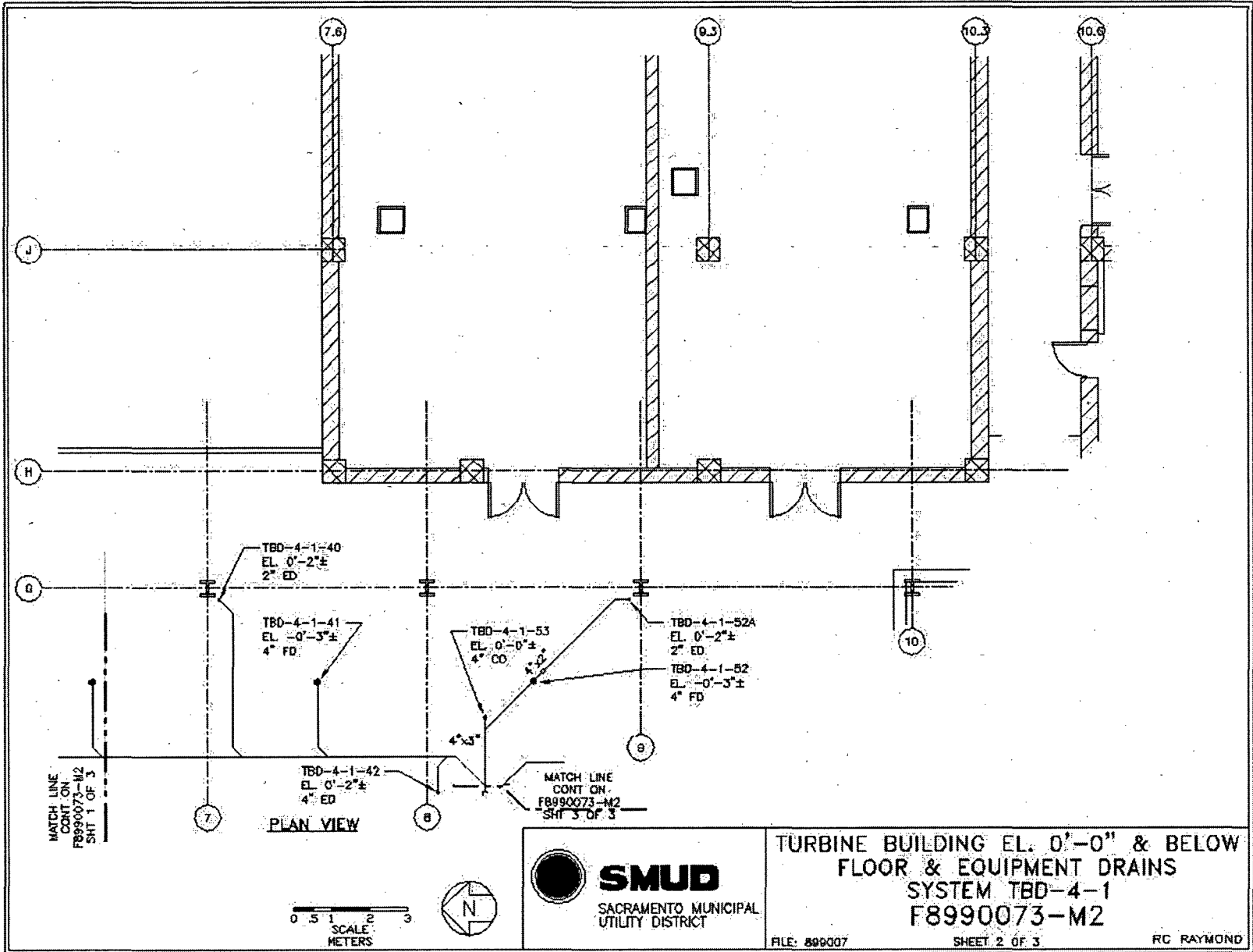
TURBINE BUILDING EL. 0'-0" & BELOW
FLOOR & EQUIPMENT DRAINS
SYSTEM TBD-2-3, TBD-3-1, TBD-3-2
F8990073-M1

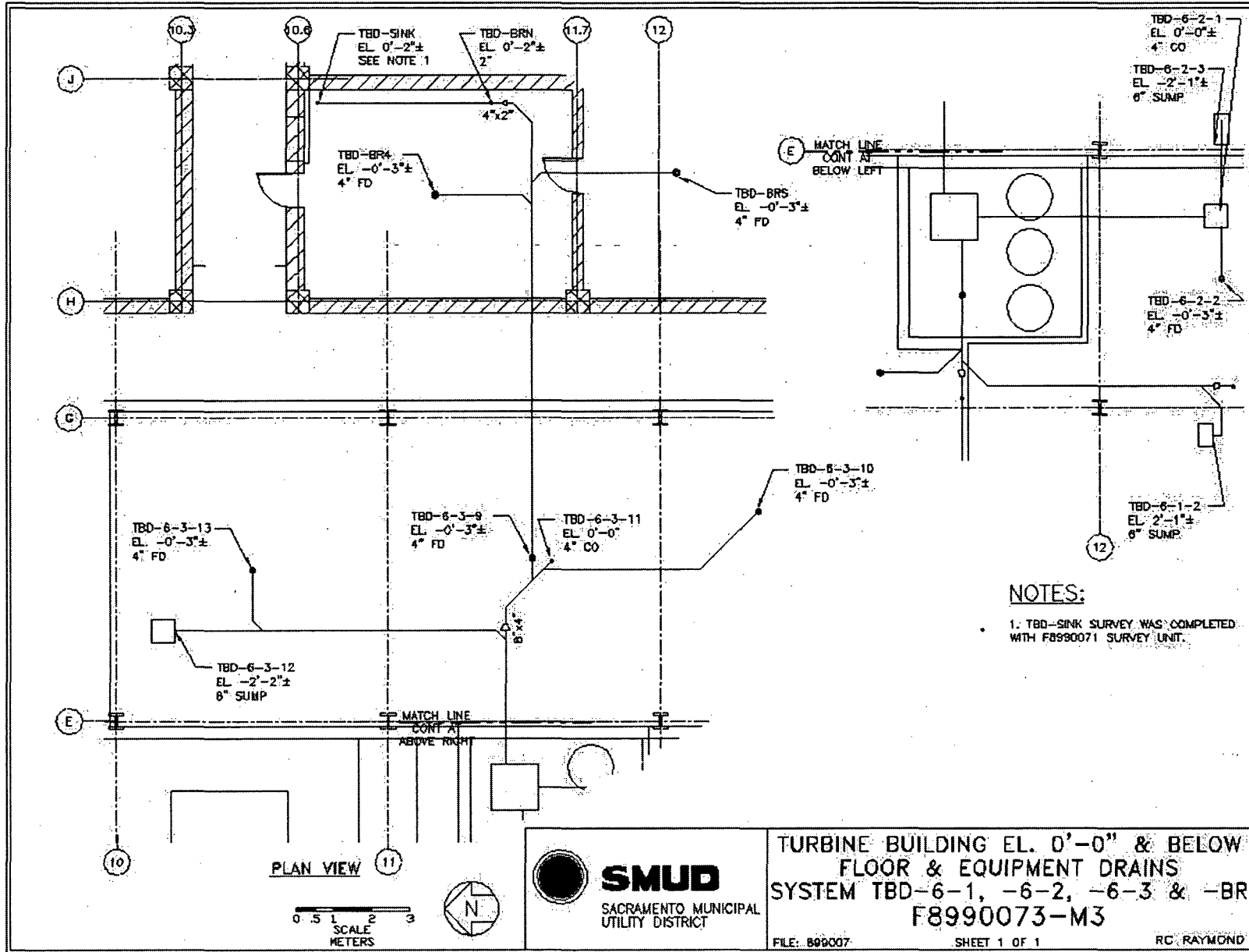
FILE: 899007

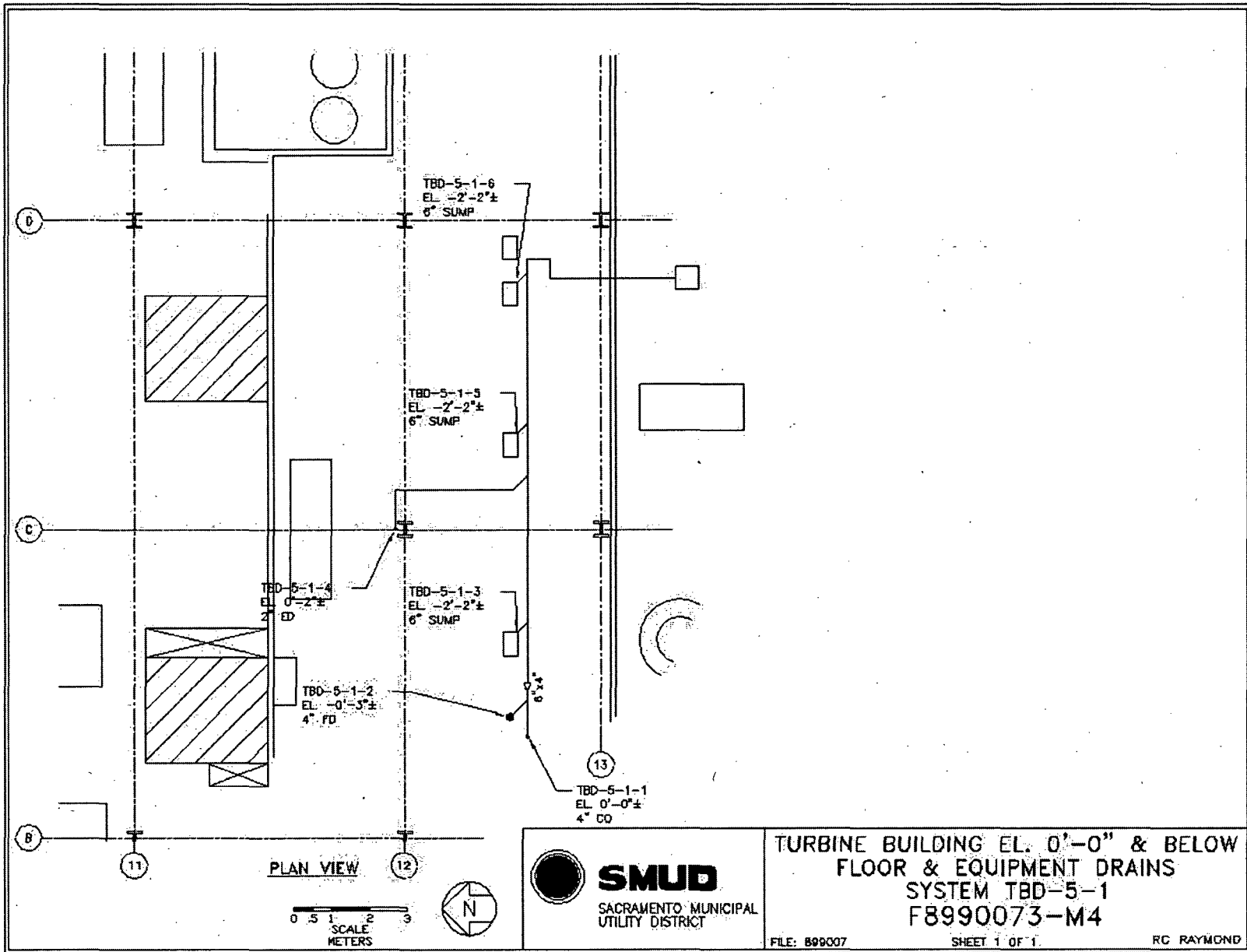
SHEET 3 OF 3

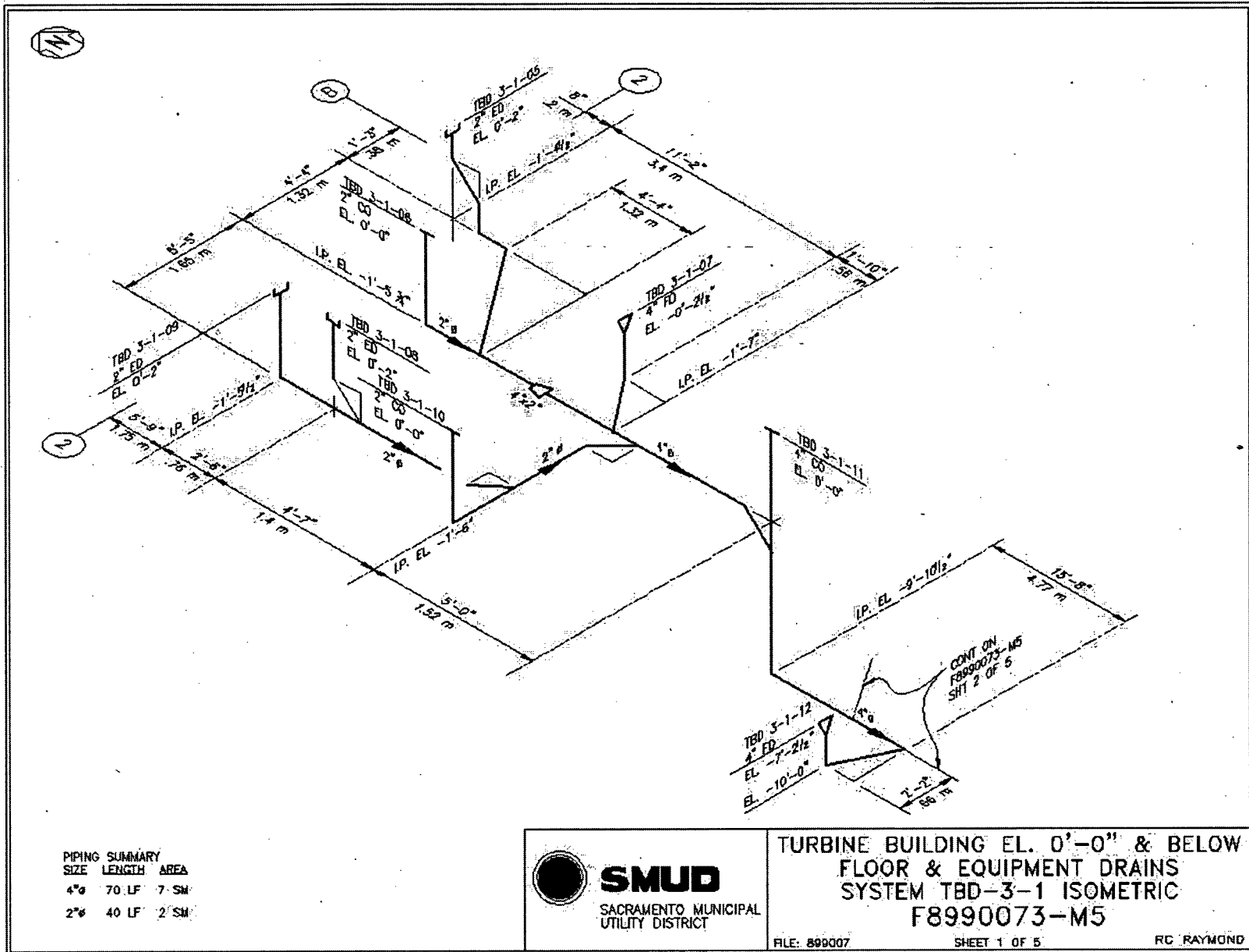
RC RAYMOND

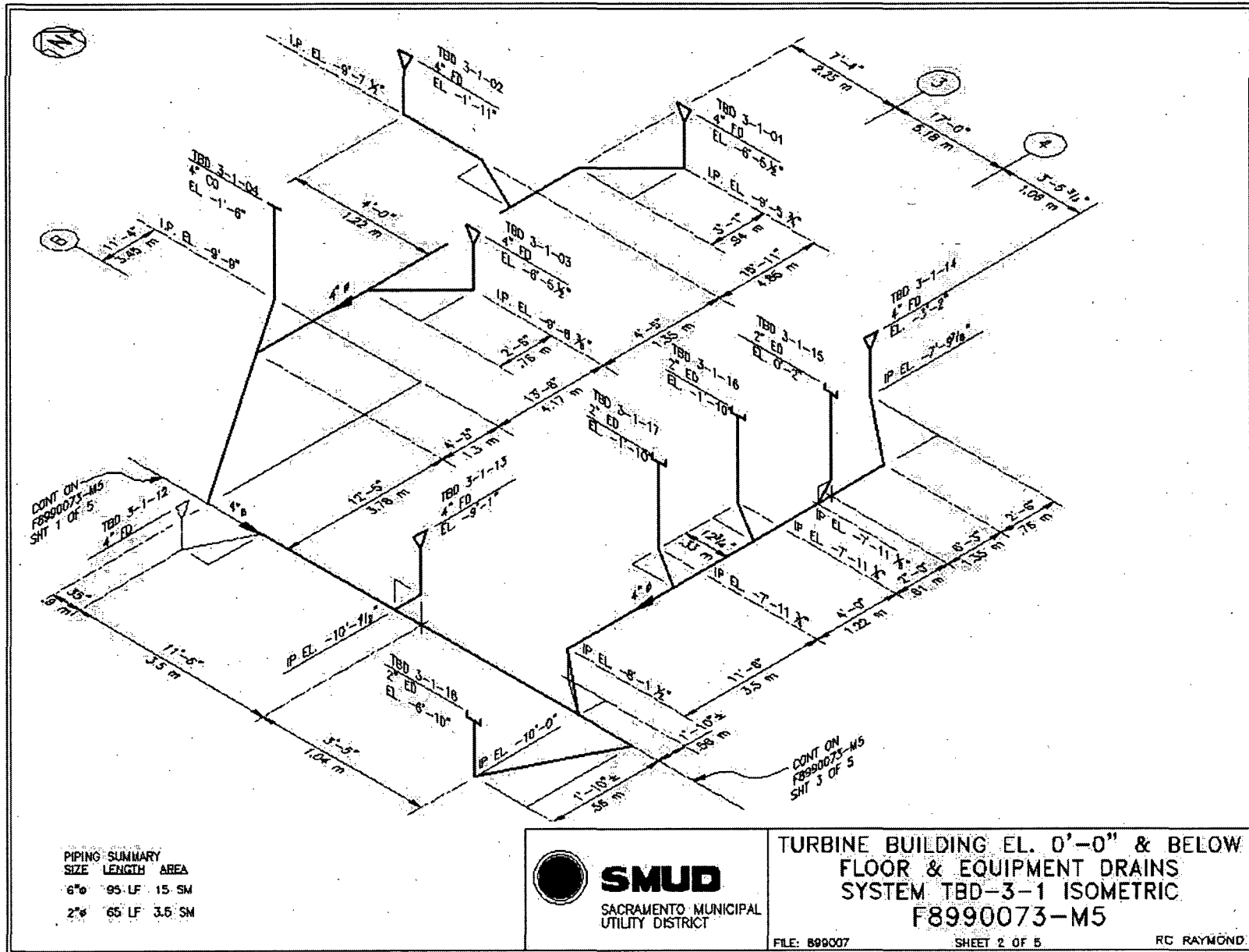












PIPING SUMMARY

SIZE	LENGTH	AREA
6"	95 LF	15 SM
2"	65 LF	3.6 SM



SMUD

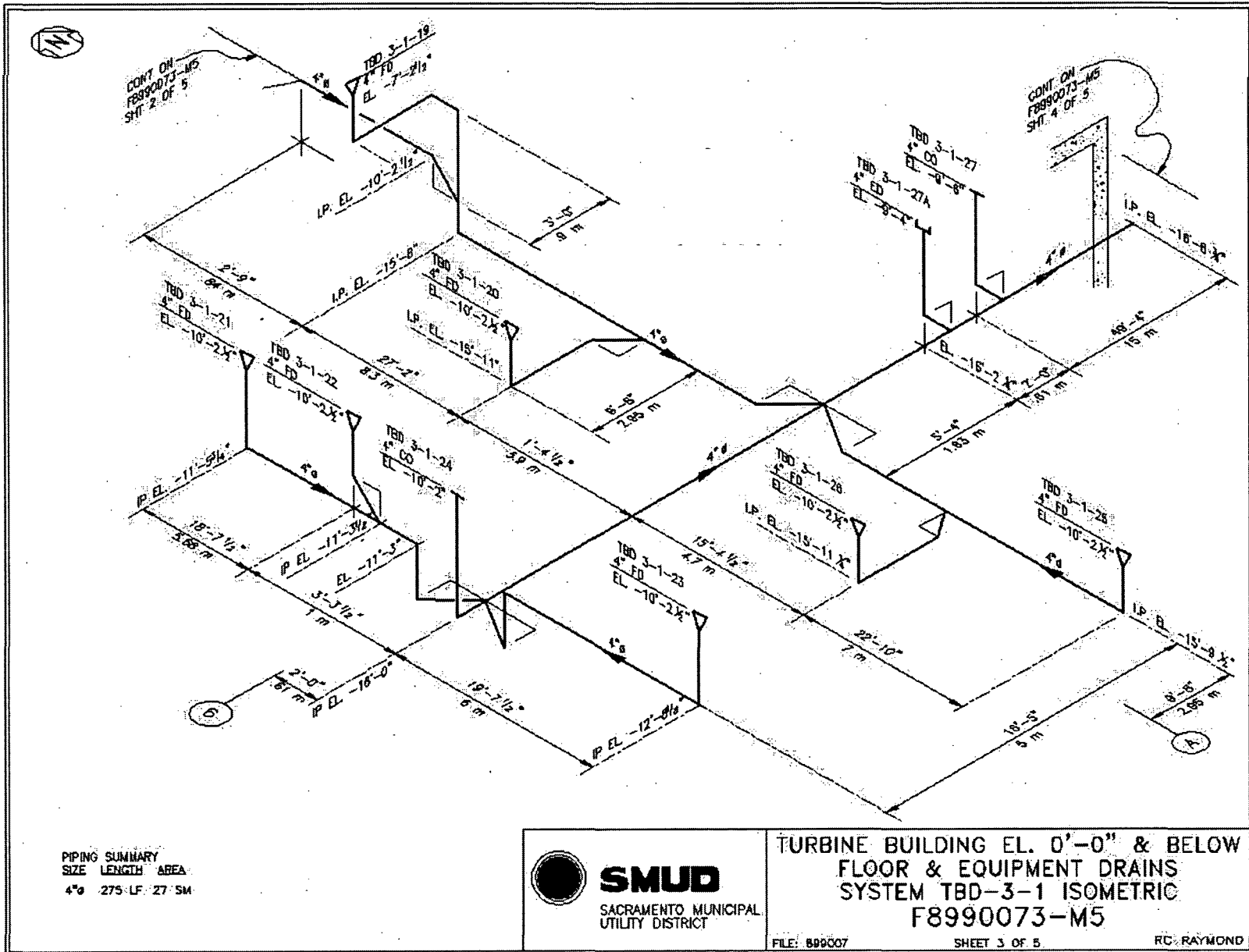
SACRAMENTO MUNICIPAL
UTILITY DISTRICT

TURBINE BUILDING EL. 0'-0" & BELOW
FLOOR & EQUIPMENT DRAINS
SYSTEM TBD-3-1 ISOMETRIC
F8990073-M5

FILE: 899007

SHEET 2 OF 5

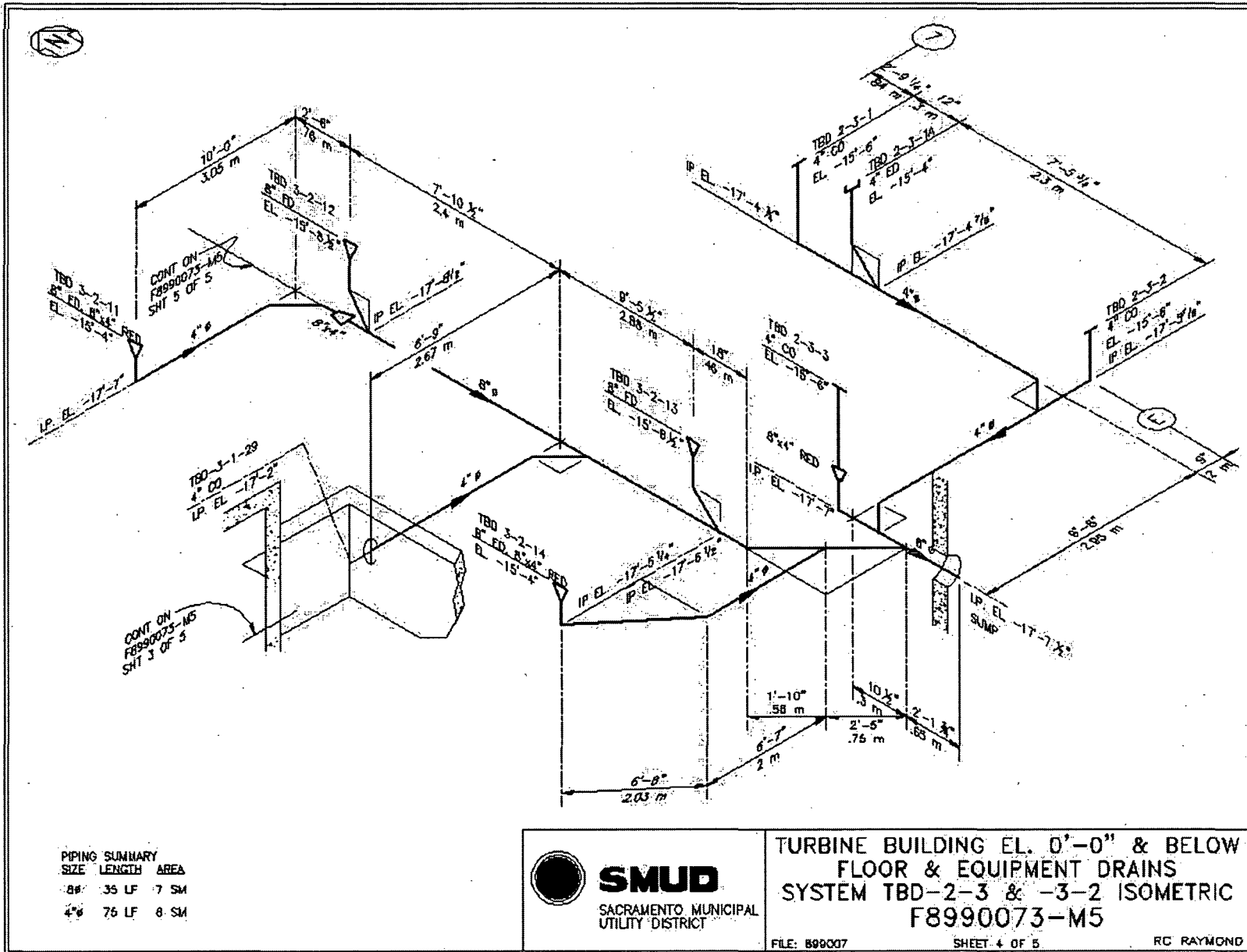
RC RAYMOND



PIPING SUMMARY
 SIZE LENGTH AREA
 4" 275 LF 27 SM

SMUD
 SACRAMENTO MUNICIPAL
 UTILITY DISTRICT

TURBINE BUILDING EL. 0'-0" & BELOW
 FLOOR & EQUIPMENT DRAINS
 SYSTEM TBD-3-1 ISOMETRIC
 F8990073-M5



PIPING SUMMARY

SIZE	LENGTH	AREA
8"	35 LF	7 SM
4"	76 LF	8 SM



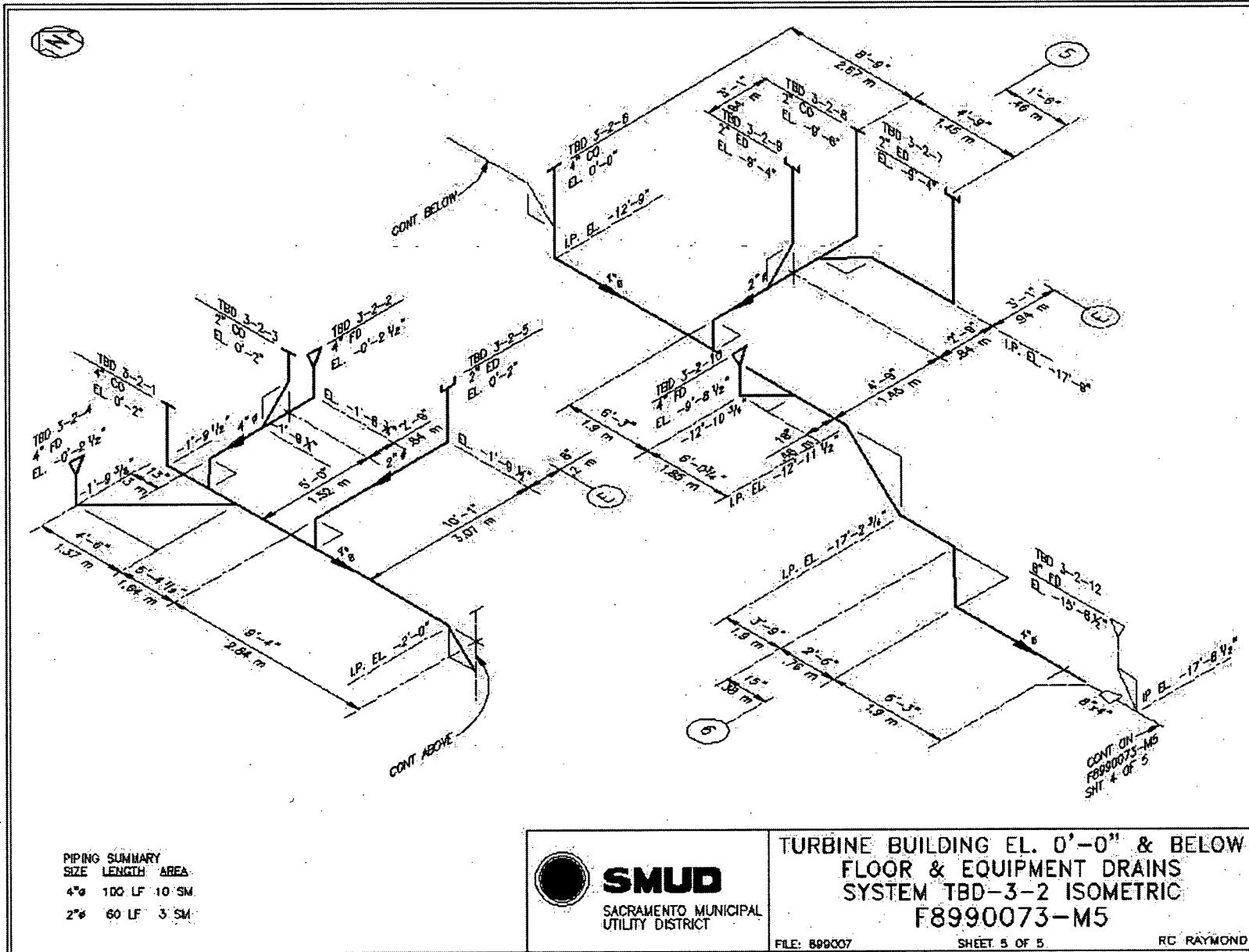
SMUD
SACRAMENTO MUNICIPAL
UTILITY DISTRICT

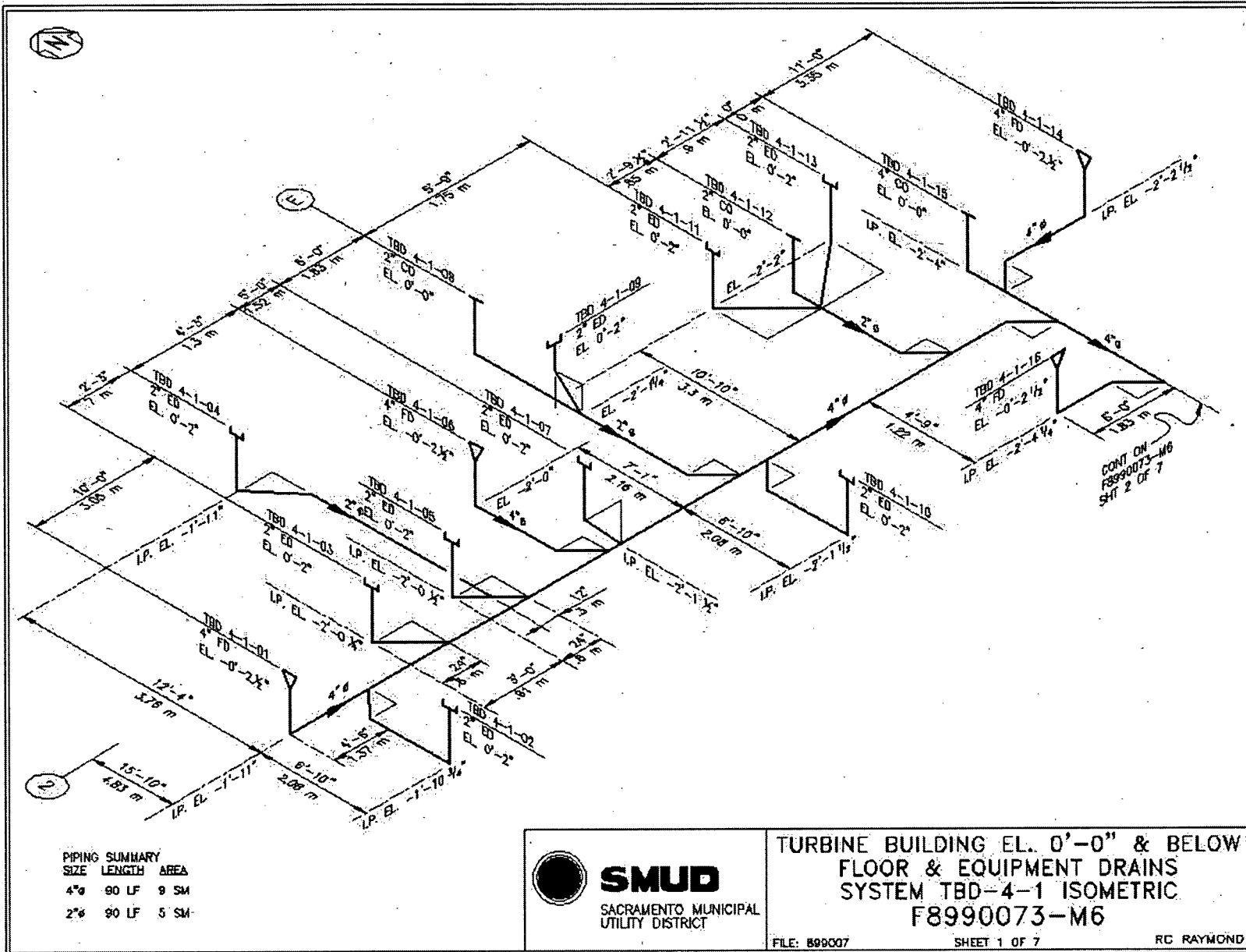
TURBINE BUILDING EL. 0'-0" & BELOW
FLOOR & EQUIPMENT DRAINS
SYSTEM TBD-2-3 & -3-2 ISOMETRIC
F8990073-M5

FILE: 899007

SHEET 4 OF 5

RC RAYMOND





PIPING SUMMARY

SIZE	LENGTH	AREA
4"	90 LF	9 SM
2"	90 LF	5 SM



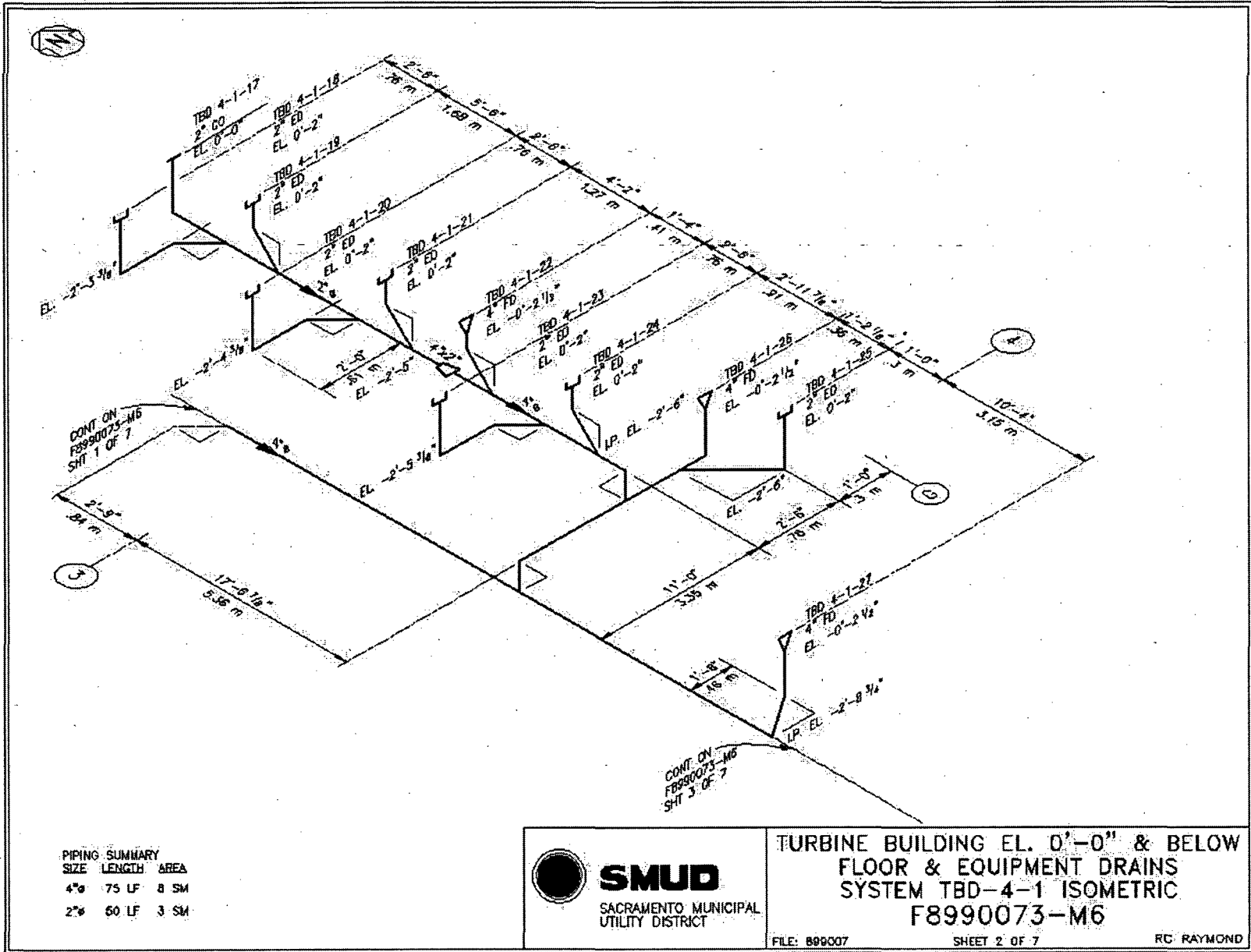
SMUD
SACRAMENTO MUNICIPAL
UTILITY DISTRICT

TURBINE BUILDING EL. 0'-0" & BELOW
FLOOR & EQUIPMENT DRAINS
SYSTEM TBD-4-1 ISOMETRIC
F8990073-M6

FILE: 899007

SHEET 1 OF 7

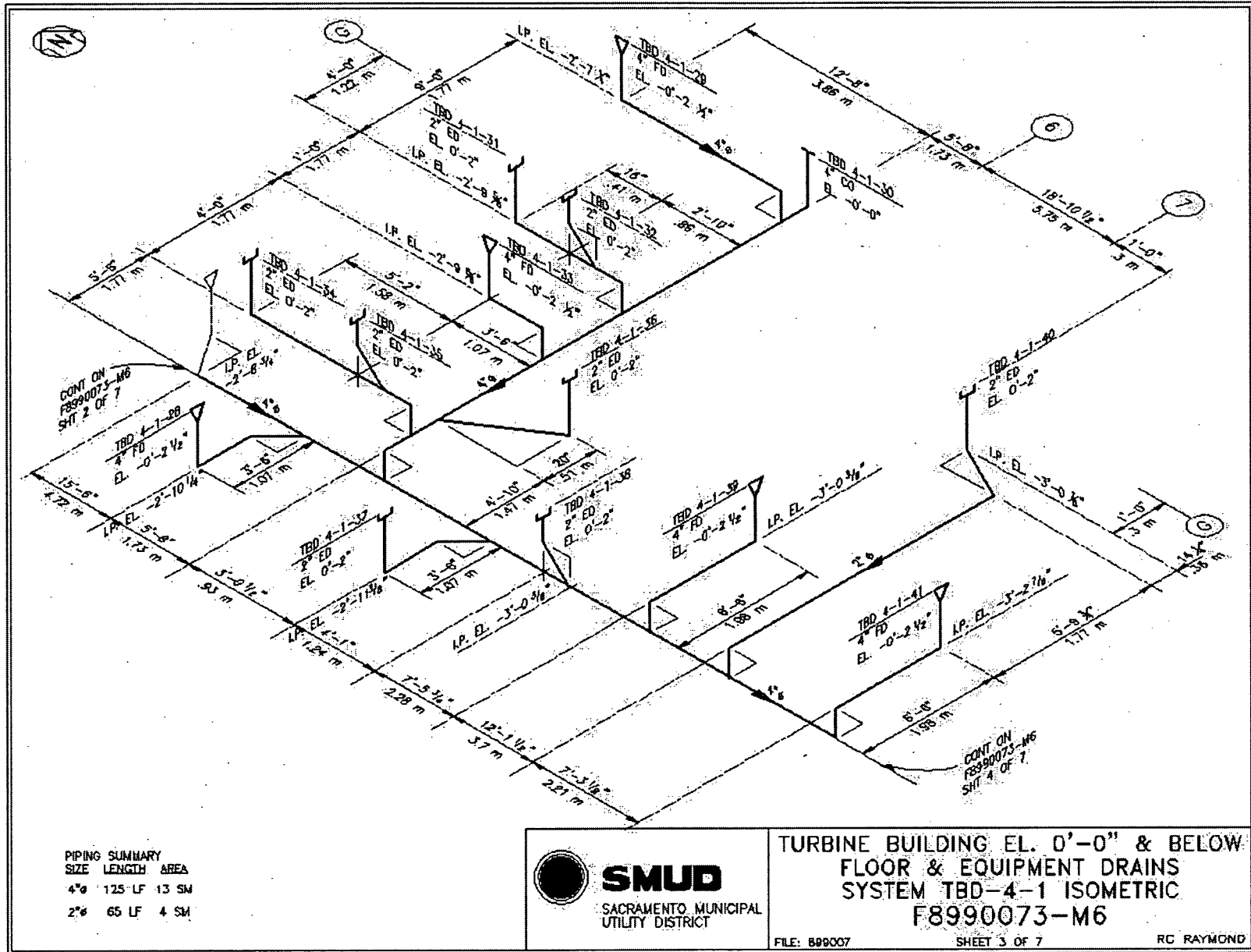
RC RAYMOND



SMUD
SACRAMENTO MUNICIPAL
UTILITY DISTRICT

TURBINE BUILDING EL. 0'-0" & BELOW
FLOOR & EQUIPMENT DRAINS
SYSTEM TBD-4-1 ISOMETRIC
F8990073-M6

FILE: 899007 SHEET 2 OF 7 RC RAYMOND

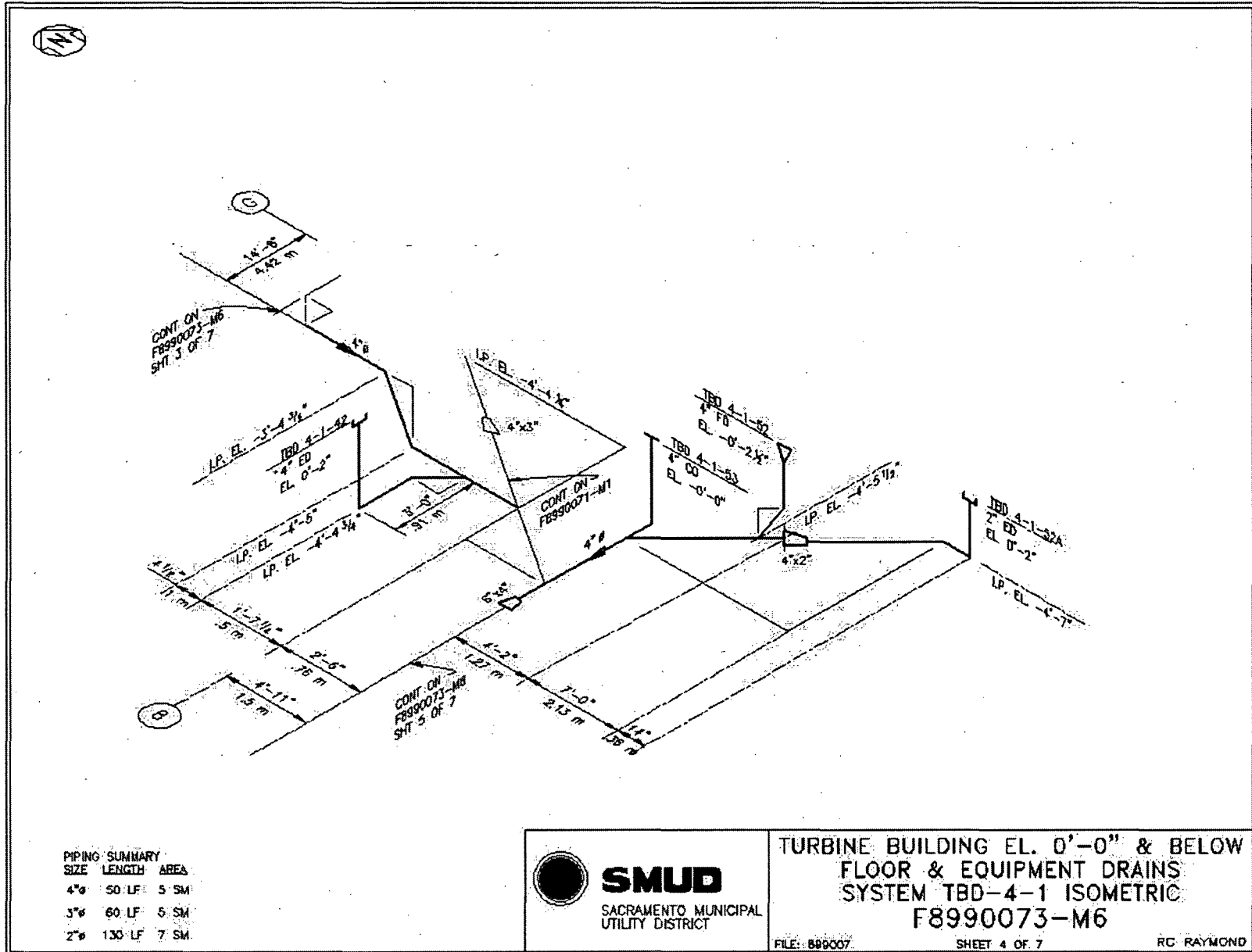


PIPING SUMMARY

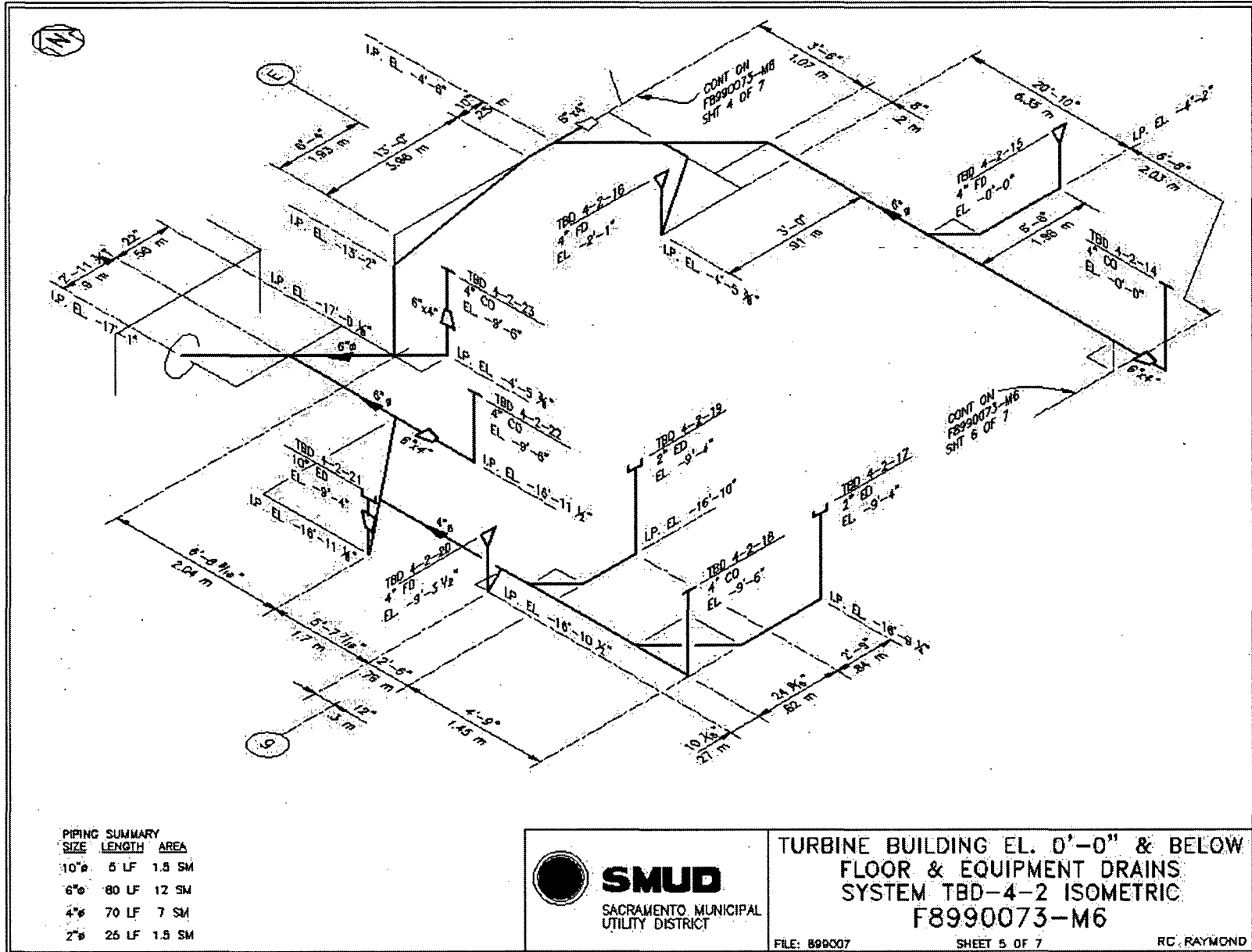
SIZE	LENGTH	AREA
4"	125 LF	13 SM
2"	65 LF	4 SM



TURBINE BUILDING EL. 0'-0" & BELOW
 FLOOR & EQUIPMENT DRAINS
 SYSTEM TBD-4-1 ISOMETRIC
 F8990073-M6



TURBINE BUILDING EL. 0'-0" & BELOW
 FLOOR & EQUIPMENT DRAINS
 SYSTEM TBD-4-1 ISOMETRIC
 F8990073-M6
 FILE: 899007 SHEET 4 OF 7 RC RAYMOND

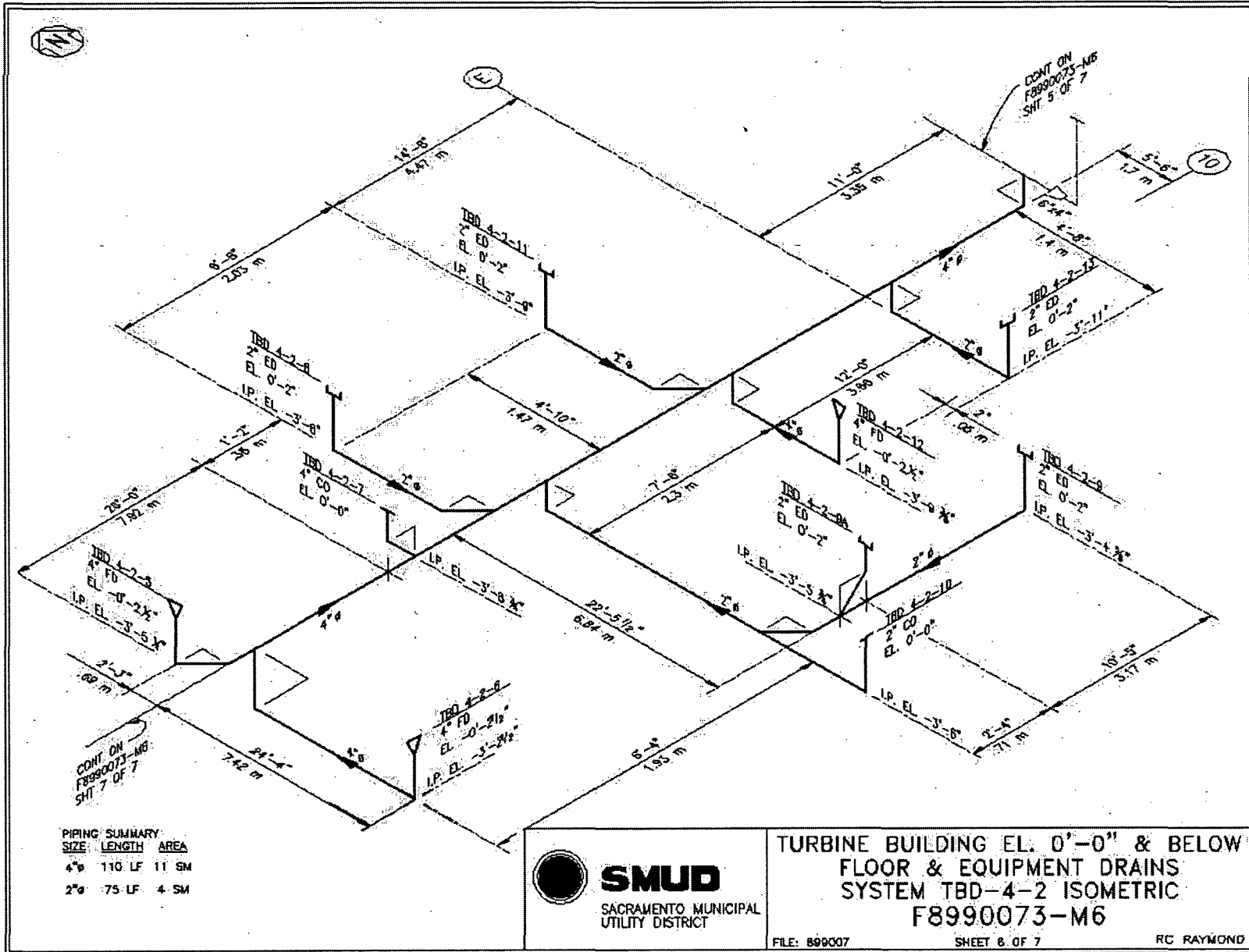


PIPING SUMMARY

SIZE	LENGTH	AREA
10"	5 LF	1.8 SM
6"	80 LF	12 SM
4"	70 LF	7 SM
2"	25 LF	1.5 SM



TURBINE BUILDING EL. 0'-0" & BELOW
 FLOOR & EQUIPMENT DRAINS
 SYSTEM TBD-4-2 ISOMETRIC
 F8990073-M6

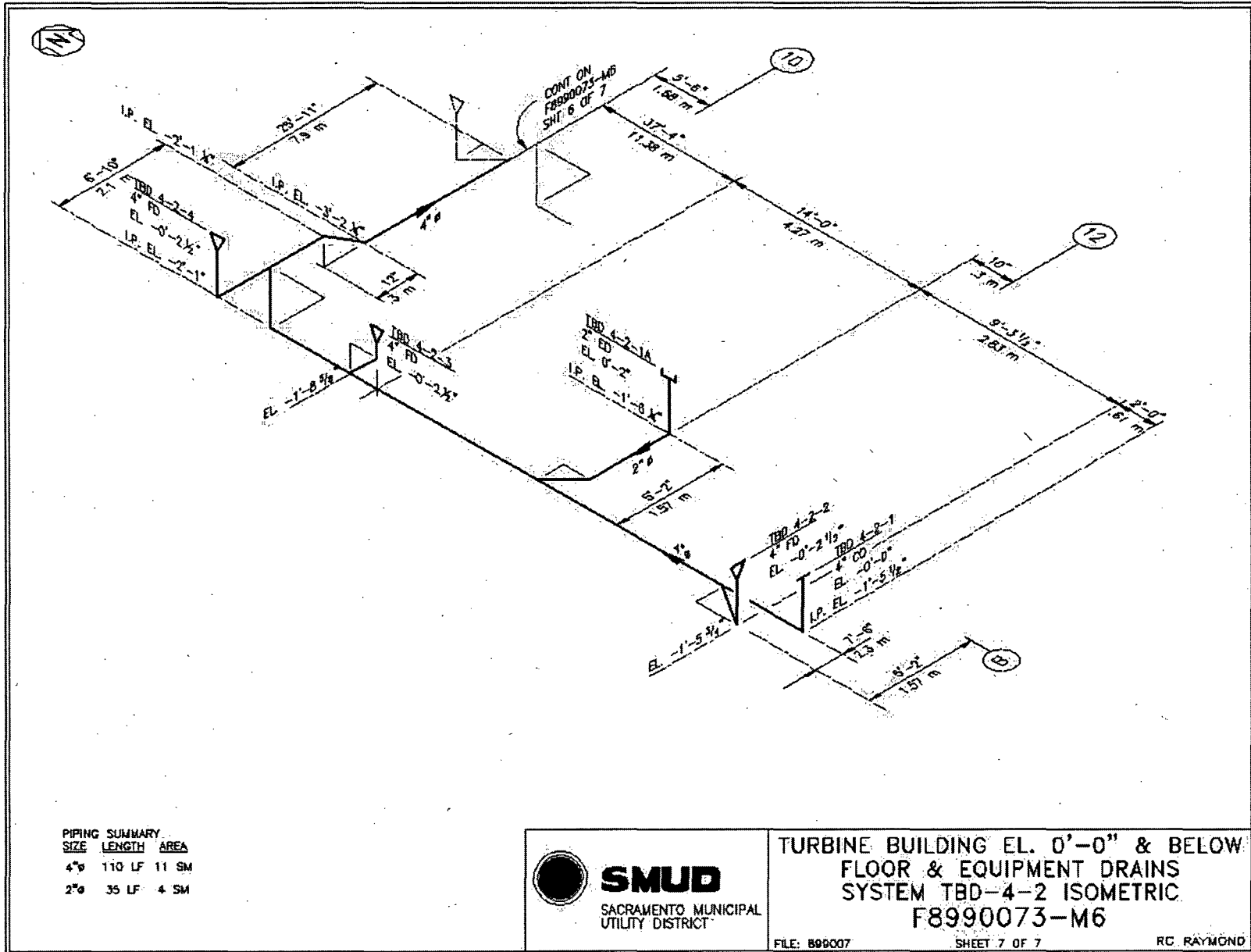


PIPING SUMMARY

SIZE	LENGTH	AREA
4"	110 LF	11 SM
2"	75 LF	4 SM



TURBINE BUILDING EL. 0'-0" & BELOW
 FLOOR & EQUIPMENT DRAINS
 SYSTEM TBD-4-2 ISOMETRIC
 F8990073-M6

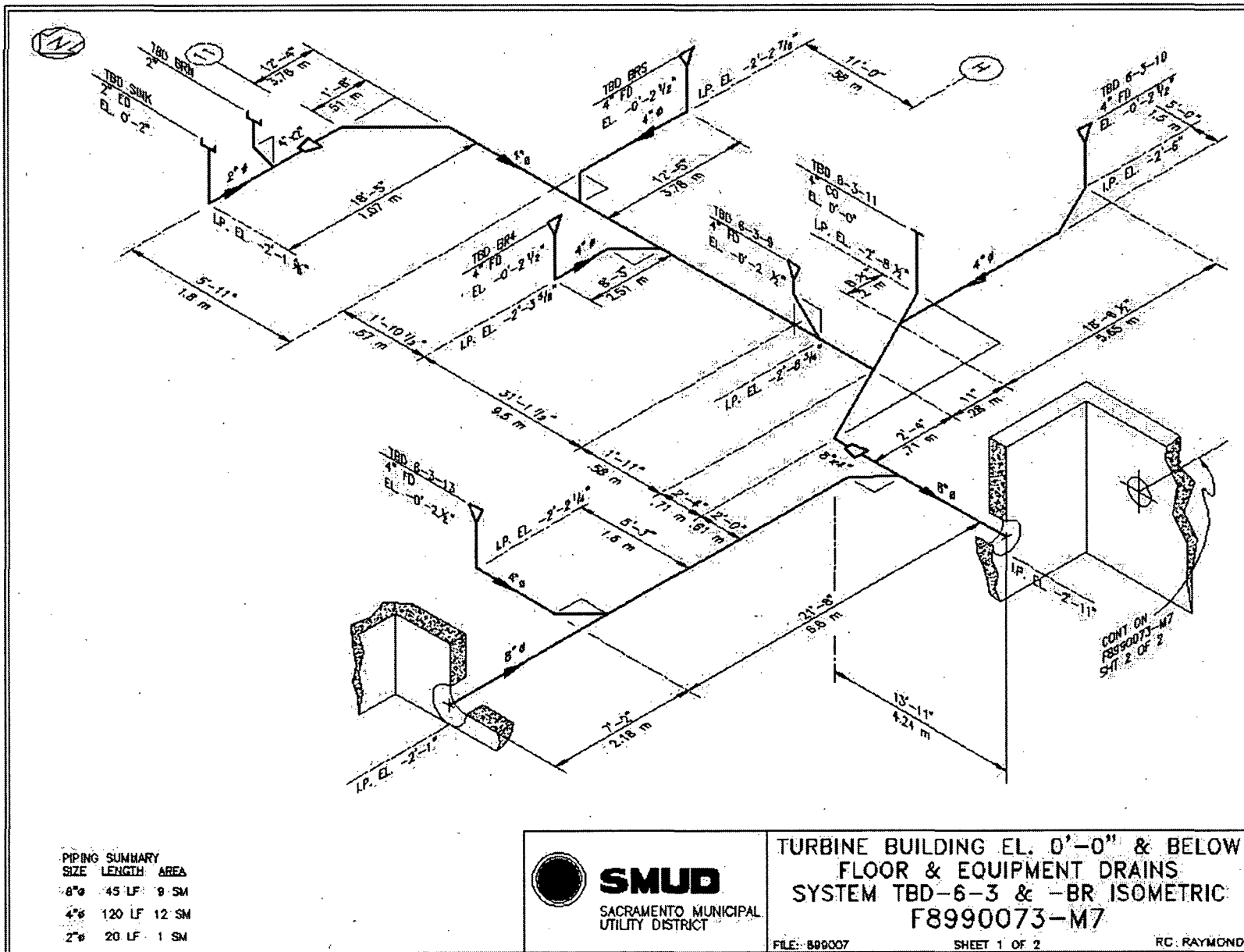


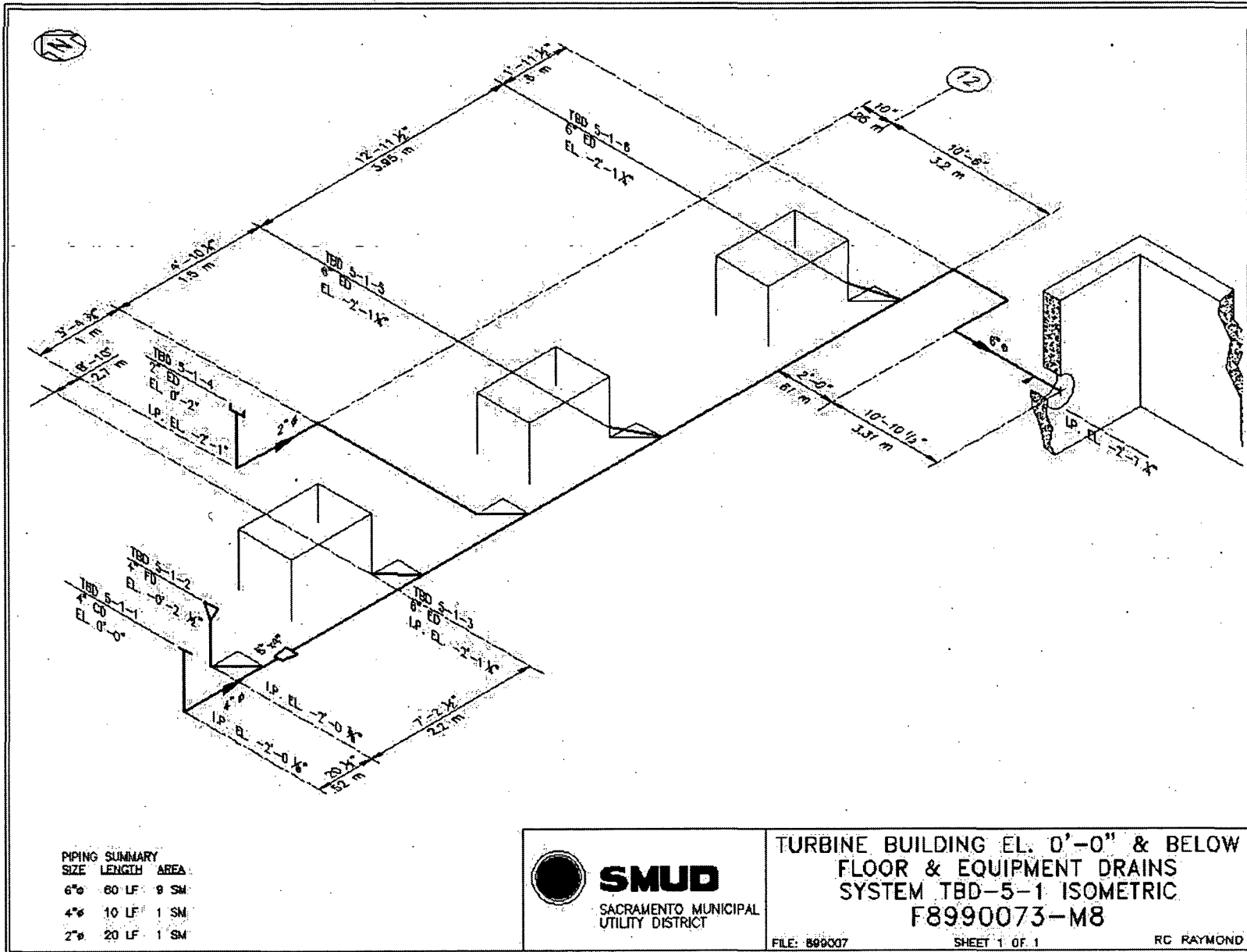
PIPING SUMMARY

SIZE	LENGTH	AREA
4"	110 LF 11 SM	
2"	35 LF 4 SM	



TURBINE BUILDING EL. 0'-0" & BELOW
 FLOOR & EQUIPMENT DRAINS
 SYSTEM TBD-4-2 ISOMETRIC
 F8990073-M6





PIPING SUMMARY

SIZE	LENGTH	AREA
6"	60 LF	9 SM
4"	10 LF	1 SM
2"	20 LF	1 SM



SMUD

SACRAMENTO MUNICIPAL
UTILITY DISTRICT

TURBINE BUILDING EL. 0'-0" & BELOW
FLOOR & EQUIPMENT DRAINS
SYSTEM TBD-5-1 ISOMETRIC
F8990073-M8

FILE: 899007

SHEET 1 OF 1

RC RAYMOND

Attachment 2

Instrumentation

April 4, 2008

Survey Unit F8990073

Table 2-1. Survey Unit Instrumentation

Instrument Model; Serial No.	Detector Model; Serial No.	MDC Static (dpm/100 cm²)	MDC Scan (dpm/100 cm²)
M2350; 203484	44-159; 215855	5720	N/A
M2350; 189081	44-159; 199736	3930	N/A
M2350; 203484	44-157; 215854	1750	N/A
M2350; 189081	44-157; 201250	1750	N/A

The MDC noted for the detector model number 44-159, serial number 215855 is for the 3" diameter piping which is the most conservative. The MDC noted for the detector model number 44-159, serial number 199736 is for the 2" diameter piping which is the most conservative. The MDC noted for the detector model number 44-157 is for the 4" diameter piping which is the most conservative.

Table 2-2. Investigation Criteria and DCGL

Parameter	Value (dpm/100 cm²)
Investigation Criteria - Direct	100000
Investigation Criteria - Scan	N/A
DCGL _w	100000
DCGL _{EMC}	100000

Attachment 3

Investigation

April 4, 2008

Survey Unit F8990073

(none required)

Attachment 4

Data Assessment

April 4, 2008

Survey Unit F8990073

