

Harris Nuclear Plant 3rd Interval

Category, Item No., Class	Summary No./CompID/System	Scope Method Procedure	Dwg/ISO No. Desc.	Comp. Code Case	Period 1		Period 2			Period 3	
					RFO-14	RFO-15	RFO-16	RFO-17	RFO-18	RFO-19	RFO-20
F-A F1.30C 3	H-08006 SW-H-1831 SW-4060		1-ISI-SW-13 Snubber	ISI AUG OWN PRE	-	-	-	-	-	-	-
F-A F1.30C 3	H-08017 SW-H-2352 SW-4060		1-ISI-SW-62 Snubber	ISI AUG OWN PRE	-	-	-	-	-	-	-
F-A F1.30C 3	H-08018 SW-H-2355 SW-4060		1-ISI-SW-62 Snubber	ISI AUG OWN PRE	-	-	-	-	-	-	-
F-A F1.30C 3	H-08019 SW-H-2597 SW-4060		1-ISI-SW-30 Snubber	ISI AUG OWN PRE	-	-	-	-	-	-	-
F-A F1.30C 3	H-08020 SW-H-2643 SW-4060		1-ISI-SW-72 Snubber	ISI AUG OWN PRE	-	-	-	-	-	-	-
F-A F1.30C 3	H-08021 SW-H-2800 SW-4060		1-ISI-SW-57 Dual Snubber	ISI AUG OWN PRE	-	-	-	-	-	-	-
F-A F1.40A 1	H-03182 II-RCP-01RCPA-H-001-003 RC-2025	ISI/VT/NDEP-0613	1-ISI-RCP-1 RCP "A" Support	ISI AUG OWN PRE	c	-	-	-	-	-	-
F-A F1.40A 1	H-03189 II-RCP-01RCPB-H-001-003 RC-2025		1-ISI-RCP-1 RCP "B" Support	ISI AUG OWN PRE	-	-	-	-	-	-	-
F-A F1.40A 1	H-03196 II-RCP-01RCPC-H-001-003 RC-2025		1-ISI-RCP-1 RCP "C" Support	ISI AUG OWN PRE	-	-	-	-	-	-	-

Harris Nuclear Plant 3rd Interval

Category, Item No., Class	Summary No./CompID/System	Scope Method Procedure	Dwg/ISO No. Desc.	Comp. Code Case	Period 1		Period 2			Period 3					
					RFO-14	RFO-15	RFO-16	RFO-17	RFO-18	RFO-19	RFO-20				
F-A F1.40A 1	H-03738 II-RPV-01H-001-006 RC-2005	ISI/VT/NDEP-0613	II-RV-001 sh 1 RPV Support	ISI AUG OWN PRE	-	-	-	-	-	-	s	-	-	-	-
F-A F1.40A 1	H-03834 II-SG-001SGA-H-001 SG-3005		1-ISI-SG-1 Steam Generator "A" Support	ISI AUG OWN PRE	-	-	-	-	-	-	-	-	-	-	-
F-A F1.40A 1	H-03835 II-SG-001SGA-H-002 SG-3005		1-ISI-SG-1 Steam Generator "A" Support	ISI AUG OWN PRE	-	-	-	-	-	-	-	-	-	-	-
F-A F1.40A 1	H-03836 II-SG-001SGA-H-003 SG-3005		1-ISI-SG-1 Steam Generator "A" Support	ISI AUG OWN PRE	-	-	-	-	-	-	-	-	-	-	-
F-A F1.40A 1	H-03837 II-SG-001SGA-H-004 SG-3005		1-ISI-SG-1 Steam Generator "A" Support	ISI AUG OWN PRE	-	-	-	-	-	-	-	-	-	-	-
F-A F1.40A 1	H-03842 II-SG-001SGA-H-007 SG-3005		1-ISI-SG-1 Steam Generator "A" Support	ISI AUG OWN PRE	-	-	-	-	-	-	-	-	-	-	-
F-A F1.40A 1	H-03857 II-SG-001SGB-H-001 SG-3005	ISI/VT/NDEP-0613	1-ISI-SG-1 Steam Generator "B" Support	ISI AUG OWN PRE	-	-	-	-	s	-	-	-	-	-	-
F-A F1.40A 1	H-03859 II-SG-001SGB-H-003 SG-3005	ISI/VT/NDEP-0613	1-ISI-SG-1 Steam Generator "B" Support	ISI AUG OWN PRE	-	-	-	-	s	-	-	-	-	-	-
F-A F1.40A 1	H-03860 II-SG-001SGB-H-004 SG-3005	ISI/VT/NDEP-0613	1-ISI-SG-1 Steam Generator "B" Support	ISI AUG OWN PRE	-	-	-	-	s	-	-	-	-	-	-

Harris Nuclear Plant 3rd Interval

Category, Item No., Class	Summary No./CompID/System	Scope Method Procedure	Dwg/ISO No. Desc.	Comp. Code Case	Period 1		Period 2			Period 3				
					RFO-14	RFO-15	RFO-16	RFO-17	RFO-18	RFO-19	RFO-20			
F-A F1.40A 1	H-03865 II-SG-001SGB-H-007 SG-3005	ISI/VT/NDEP-0613	1-ISI-SG-1 Steam Generator "B" Support	ISI AUG OWN PRE	-	-	-	-	-	s	-	-	-	-
F-A F1.40A 1	H-03866 II-SG-001SGB-H-008 SG-3005	ISI/VT/NDEP-0613	1-ISI-SG-1 Steam Generator "B" Support	ISI AUG OWN PRE	-	-	-	-	-	s	-	-	-	-
F-A F1.40A 1	H-03880 II-SG-001SGC-H-001 SG-3005		1-ISI-SG-1 Steam Generator "C" Support	ISI AUG OWN PRE	-	-	-	-	-	-	-	-	-	-
F-A F1.40A 1	H-03881 II-SG-001SGC-H-002 SG-3005		1-ISI-SG-1 Steam Generator "C" Support	ISI AUG OWN PRE	-	-	-	-	-	-	-	-	-	-
F-A F1.40A 1	H-03882 II-SG-001SGC-H-003 SG-3005		1-ISI-SG-1 Steam Generator "C" Support	ISI AUG OWN PRE	-	-	-	-	-	-	-	-	-	-
F-A F1.40A 1	H-03883 II-SG-001SGC-H-004 SG-3005		1-ISI-SG-1 Steam Generator "C" Support	ISI AUG OWN PRE	-	-	-	-	-	-	-	-	-	-
F-A F1.40A 1	H-03888 II-SG-001SGC-H-007 SG-3005	ISI/VT/NDEP-0613	1-ISI-SG-1 Steam Generator "C" Support	ISI AUG OWN PRE	-	-	-	-	-	-	-	b	-	-
F-A F1.40A 1	H-03889 II-SG-001SGC-H-008 SG-3005	ISI/VT/NDEP-0613	1-ISI-SG-1 Steam Generator "C" Support	ISI AUG OWN PRE	-	-	-	-	-	-	-	b	-	-
F-A F1.40B 2	H-01118 II-ACC-01ATA-H-001-004 SI-2080		1-ISI-ACC-1 Accumulator "A"	ISI AUG OWN PRE	-	-	-	-	-	-	-	-	-	-

Harris Nuclear Plant 3rd Interval

Category, Item No., Class	Summary No./CompID/System	Scope Method Procedure	Dwg/ISO No. Desc.	Comp. Code Case	Period 1		Period 2			Period 3	
					RFO-14	RFO-15	RFO-16	RFO-17	RFO-18	RFO-19	RFO-20
F-A F1.40B 2	H-01857 II-CSIP-1CSIPA-H-001-005 CS-2060		1-ISI-CSIP-1 Charging/Safety Injection Pump "A" Support	ISI AUG OWN PRE	-	-	-	-	-	-	-
F-A F1.40B 2	H-01862 II-CSIP-1CSIPB-H-001-005 CS-2060		1-ISI-CSIP-1 Charging/Safety Injection Pump "B" Support	ISI AUG OWN PRE	-	-	-	-	-	-	-
F-A F1.40B 2	H-01867 II-CSIP-1CSIPC-H-001-005 CS-2060		1-ISI-CSIP-1 Charging/Safety Injection Pump "C" Support	ISI AUG OWN PRE	-	-	-	-	-	-	-
F-A F1.40B 3	H-02398 II-CTAT-1H-001-002 CT-2070		Containment Spray Additive Tank Support	ISI AUG OWN PRE	-	-	-	-	-	-	-
F-A F1.40B 2	H-02402 II-CTP-01CTPA-H-001-003 CT-2070		1-ISI-CTP-1 "A" CNMT Spray Pump Support	ISI AUG OWN PRE	-	-	-	-	-	-	-
F-A F1.40B 2	H-02406 II-CTP-01CTPB-H-001-003 CT-2070	ISI/VT/NDEP-0613	1-ISI-CTP-1 "B" CNMT Spray Pump Support	ISI AUG OWN PRE	-	-	-	-	-	s	-
F-A F1.40B 3	H-02407 II-CWP4-1A-H-001-003 CH-4085		Chilled Water Pump "A" Support	ISI AUG OWN PRE	-	-	-	-	-	-	-
F-A F1.40B 3	H-02408 II-CWP4-1B-H-001-003 CH-4085		Chilled Water Pump "B" Support	ISI AUG OWN PRE	-	-	-	-	-	-	-
F-A F1.40B 2	H-02410 II-EL-001H-001-002 CS-2060		1-ISI-ELHEX-1 Excess Letdown Heat Exchanger Support	ISI AUG OWN PRE	-	-	-	-	-	-	-

Harris Nuclear Plant 3rd Interval

Category, Item No., Class	Summary No./CompID/System	Scope Method Procedure	Dwg/ISO No. Desc.	Comp. Code Case	Period 1		Period 2			Period 3	
					RFO-14	RFO-15	RFO-16	RFO-17	RFO-18	RFO-19	RFO-20
F-A	H-02658			ISI	-	-	-	-	-	-	-
F1.40B	II-FPCP-1B-H-001-003		Spent Fuel Cooling Pump "B"	AUG	-	-	-	-	-	-	-
3	SF-7110			OWN	-	-	-	-	-	-	-
				PRE	-	-	-	-	-	-	-
F-A	H-02659			ISI	-	-	-	-	-	-	-
F1.40B	II-FPHX-1A-H-001-002		Spent Fuel Cooling Heat Exchanger "A"	AUG	-	-	-	-	-	-	-
3	SF-7110			OWN	-	-	-	-	-	-	-
				PRE	-	-	-	-	-	-	-
F-A	H-02660	ISI/VT/NDEP-0613		ISI	-	-	-	-	-	s	-
F1.40B	II-FPHX-1B-H-001-002		Spent Fuel Cooling Heat Exchanger "B"	AUG	-	-	-	-	-	-	-
3	SF-7110			OWN	-	-	-	-	-	-	-
				PRE	-	-	-	-	-	-	-
F-A	H-02661			ISI	-	-	-	-	-	-	-
F1.40B	II-FPS-01A-H-001		Fuel Pool Strainer "A" Cooling Pump Support	AUG	-	-	-	-	-	-	-
3	SF-7110			OWN	-	-	-	-	-	-	-
				PRE	-	-	-	-	-	-	-
F-A	H-02662	ISI/VT/NDEP-0613		ISI	-	-	-	-	-	s	-
F1.40B	II-FPS-01B-H-001		Fuel Pool Strainer "B" Cooling Pump Support	AUG	-	-	-	-	-	-	-
3	SF-7110			OWN	-	-	-	-	-	-	-
				PRE	-	-	-	-	-	-	-
F-A	H-02825			ISI	-	-	-	-	-	-	-
F1.40B	II-LHX-01H-001-002		Letdown Heat Exchanger	AUG	-	-	-	-	-	-	-
2	CS-2060			OWN	-	-	-	-	-	-	-
				PRE	-	-	-	-	-	-	-
F-A	H-02963			ISI	-	-	-	-	-	-	-
F1.40B	II-N2A-01A-H-003		Nitrogen Accumulator Tank "A" Support	AUG	-	-	-	-	-	-	-
3	CS-2060			OWN	-	-	-	-	-	-	-
				PRE	-	-	-	-	-	-	-
F-A	H-02964			ISI	-	-	-	-	-	-	-
F1.40B	II-N2A-01A-H-006		Nitrogen Accumulator Tank "A" Support	AUG	-	-	-	-	-	-	-
3	CS-2060			OWN	-	-	-	-	-	-	-
				PRE	-	-	-	-	-	-	-
F-A	H-02965			ISI	-	-	-	-	-	-	-
F1.40B	II-N2A-01B-H-002		Nitrogen Accumulator Tank "B" Support	AUG	-	-	-	-	-	-	-
3	CS-2060			OWN	-	-	-	-	-	-	-
				PRE	-	-	-	-	-	-	-

Harris Nuclear Plant 3rd Interval

Category, Item No., Class	Summary No./CompID/System	Scope Method Procedure	Dwg/ISO No. Desc.	Comp. Code Case	Period 1		Period 2			Period 3	
					RFO-14	RFO-15	RFO-16	RFO-17	RFO-18	RFO-19	RFO-20
F-A F1.40B 2	H-03729 II-RHRP-1RHRPA-H-001-003 RH-2085	ISI/VT/NDEP-0613	1-ISI-RHRP-1 Residual Heat Removal Pump "A"	ISI AUG OWN PRE	-	s	-	-	-	-	-
F-A F1.40B 2	H-03733 II-RHRP-1RHRPB-H-001-003 RH-2085		1-ISI-RHRP-1 Residual Heat Removal Pump "B"	ISI AUG OWN PRE	-	-	-	-	-	-	-
F-A F1.40B 2	H-03737 II-RHX-01H-001-006 CS-2060		Regenerative Heat Exchanger Support	ISI AUG OWN PRE	-	-	-	-	-	-	-
F-A F1.40B 2	H-03827 II-SERF-1H-001-003 CS-2060	ISI/VT/NDEP-0613	Seal Water Return Filter Support	ISI AUG OWN PRE	-	-	s	-	-	-	-
F-A F1.40B 1	H-03843 II-SG-001SGA-H-008 SG-3005		1-ISI-SG-1 Steam Generator "A" Support	ISI AUG OWN PRE	-	-	-	-	-	-	-
F-A F1.40B 1	H-03858 II-SG-001SGB-H-002 SG-3005	ISI/VT/NDEP-0613	1-ISI-SG-1 Steam Generator "B" Support	ISI AUG OWN PRE	-	-	s	-	-	-	-
F-A F1.40B 3	H-03903 II-SGAP-1A-H-001-003 AF-3065		1-ISI-SG-1 Motor Driven Auxilizary Feedwater Pump "A"	ISI AUG OWN PRE	-	-	-	-	-	-	-
F-A F1.40B 3	H-03904 II-SGAP-1B-H-001-003 AF-3065		1-ISI-SG-1 Motor Driven Auxilizary Feedwater Pump "B"	ISI AUG OWN PRE	-	-	-	-	-	-	-
F-A F1.40B 3	H-03905 II-SGAP-1T-H-001-003 AF-3065	ISI/VT/NDEP-0613	1-ISI-SG-1 Steam Driven Auxilizary Feedwater Pump	ISI AUG OWN PRE	-	-	-	-	-	s	-

Harris Nuclear Plant 3rd Interval

Category, Item No., Class	Summary No./CompID/System	Scope Method Procedure	Dwg/ISO No. Desc.	Comp. Code Case	Period 1		Period 2			Period 3	
					RFO-14	RFO-15	RFO-16	RFO-17	RFO-18	RFO-19	RFO-20
F-A F1.40B 3	H-04900 II-SWBP-1A-H-001-003 SW-4060		Service Water Booster Pump "A"	ISI AUG OWN PRE	-	-	-	-	-	-	-
F-A F1.40B 3	H-04901 II-SWBP-1B-H-001-003 SW-4060	ISI/VT/NDEP-0613	Service Water Booster Pump "B"	ISI AUG OWN PRE	-	-	-	-	-	s	-
F-A F1.40B 2	H-04902 II-SWHX-1H-001-002 CS-2060		Seal Water Heat Exchanger Support	ISI AUG OWN PRE	-	-	-	-	-	-	-
F-A F1.40B 2	H-04903 II-SWIF-1A-H-001-003 CS-2060	ISI/VT/NDEP-0613	Seal Water Injection Filter "A" Support	ISI AUG OWN PRE	c	-	-	-	-	-	-
F-A F1.40B 2	H-04904 II-SWIF-1B-H-001-003 CS-2060		Seal Water Injection Filter "B" Support	ISI AUG OWN PRE	-	-	-	-	-	-	-
F-A F1.40B 2	H-04905 II-VCT-01H-001-010 CS-2060	ISI/VT/NDEP-0613	Volume Control Tank	ISI AUG OWN PRE	-	-	-	s	-	-	-
F-A F1.40B 3	H-04906 II-WC2-01A-H-001-008 WC		Water Chiller WC-2 "B" Support	ISI AUG OWN PRE	-	-	-	-	-	-	-
F-A F1.40B 3	H-04907 II-WC2-01B-H-001-008 WC	ISI/VT/NDEP-0613	Water Chiller WC-2 "A" Support	ISI AUG OWN PRE	-	-	-	-	-	s	-
F-A F1.40C 2	H-07758 SG-H-0305B SG-3005		Snubber	ISI AUG OWN PRE	-	-	-	-	-	-	-

Harris Nuclear Plant 3rd Interval

Category, Item No., Class	Summary No./CompID/System	Scope Method Procedure	Dwg/ISO No. Desc.	Comp. Code Case	Period 1		Period 2			Period 3									
					RFO-14	RFO-15	RFO-16	RFO-17	RFO-18	RFO-19	RFO-20								
FSAR 6.6.8C 2	H-07324 II-FW-001FW-39-4-SW-6 FW-3050		1-ISI-FW-1 S01 Pipe to Sweepolet	ISI AUG OWN PRE	-	-	-	-	-	-	-	-	-	-	-	-	-	-	-
FSAR 6.6.8C 2	H-07325 II-FW-001FW-39-4-SW-1 FW-3050		1-ISI-FW-1 S01 Pipe to Flange	ISI AUG OWN PRE	-	-	-	-	-	-	-	-	-	-	-	-	-	-	-
FSAR 6.6.8C 2	H-07326 II-FW-001FW-39-3-SW-1 FW-3050		1-ISI-FW-1 S01 Flange to Pipe	ISI AUG OWN PRE	-	-	-	-	-	-	-	-	-	-	-	-	-	-	-
FSAR 6.6.8D 2	H-01126 II-AF-005AF-FW-253 AF-3065		1-ISI-AF-5 Pipe to Reducing Tee	ISI AUG OWN PRE	-	-	-	-	-	-	-	-	-	-	-	-	-	-	-
FSAR 6.6.8E 2	H-01251 II-BD-001BD-FW-1 BD-3010		1-ISI-BD-1 Flued Head to Piping Bend	ISI AUG OWN PRE	-	-	-	-	-	-	-	-	-	-	-	-	-	-	-
FSAR 6.6.8E 2	H-01252 II-BD-001BD-FW-2 BD-3010		1-ISI-BD-1 Piping Bend to Valve	ISI AUG OWN PRE	-	-	-	-	-	-	-	-	-	-	-	-	-	-	-
FSAR 6.6.8E 2	H-01253 II-BD-001BD-SW-A8 BD-3010		1-ISI-BD-1 Piping Bend to Piping Bend	ISI AUG OWN PRE	-	-	-	-	-	-	-	-	-	-	-	-	-	-	-
FSAR 6.6.8E 2	H-01254 II-BD-002BD-FW-4 BD-3010		1-ISI-BD-2 Flued Head to Piping Bend	ISI AUG OWN PRE	-	-	-	-	-	-	-	-	-	-	-	-	-	-	-
FSAR 6.6.8E 2	H-01255 II-BD-002BD-FW-5 BD-3010		1-ISI-BD-2 Piping Bend to Valve	ISI AUG OWN PRE	-	-	-	-	-	-	-	-	-	-	-	-	-	-	-

Harris Nuclear Plant 3rd Interval

Category, Item No., Class	Summary No./CompID/System	Scope Method Procedure	Dwg/ISO No. Desc.	Comp. Code Case	Period 1		Period 2			Period 3									
					RFO-14	RFO-15	RFO-16	RFO-17	RFO-18	RFO-19	RFO-20								
FSAR 6.6.8E 2	H-01347 II-BD-009BD-M51-PW-1 BD-3010		1-ISI-BD-9 Flued Head to Pipe	ISI AUG OWN PRE	-	-	-	-	-	-	-	-	-	-	-	-	-	-	-
FSAR 6.6.8E 2	H-01348 II-BD-009BD-SW-A5 BD-3010		1-ISI-BD-9 Piping Bend to Piping Bend	ISI AUG OWN PRE	-	-	-	-	-	-	-	-	-	-	-	-	-	-	-
FSAR 6.6.8E 2	H-01349 II-BD-009BD-SW-B3 BD-3010		1-ISI-BD-9 Elbow to Pipe	ISI AUG OWN PRE	-	-	-	-	-	-	-	-	-	-	-	-	-	-	-
FSAR 6.6.8E 2	H-01350 II-BD-009BD-SW-B4 BD-3010		1-ISI-BD-9 Pipe to Elbow	ISI AUG OWN PRE	-	-	-	-	-	-	-	-	-	-	-	-	-	-	-
FSAR 6.6.8E 2	H-01351 II-BD-009BD-SW-B5 BD-3010		1-ISI-BD-9 Elbow to Piping Bend	ISI AUG OWN PRE	-	-	-	-	-	-	-	-	-	-	-	-	-	-	-
FSAR 6.6.8E 2	H-01552 II-CS-004CS-FW-98 CS-2060		1-ISI-CS-4 Pipe to Valve	ISI AUG OWN PRE	-	-	-	-	-	-	-	-	-	-	-	-	-	-	-
FSAR 6.6.8E 2	H-01736 II-CS-026CS-FW-112 CS-2060		1-ISI-CS-26 Pipe to Flued Head	ISI AUG OWN PRE	-	-	-	-	-	-	-	-	-	-	-	-	-	-	-
FSAR 6.6.8E 2	H-01737 II-CS-026CS-FW-113 CS-2060		1-ISI-CS-26 Valve to Pipe	ISI AUG OWN PRE	-	-	-	-	-	-	-	-	-	-	-	-	-	-	-
FSAR 6.6.8E 2	H-01738 II-CS-027CS-FW-1420 CS-2060		1-ISI-CS-27 Valve to Pipe	ISI AUG OWN PRE	-	-	-	-	-	-	-	-	-	-	-	-	-	-	-

Harris Nuclear Plant 3rd Interval

Category, Item No., Class	Summary No./CompID/System	Scope Method Procedure	Dwg/ISO No. Desc.	Comp. Code Case	Period 1		Period 2			Period 3	
					RFO-14	RFO-15	RFO-16	RFO-17	RFO-18	RFO-19	RFO-20
FSAR 6.6.8E 2	H-01739 II-CS-027CS-FW-1421 CS-2060		1-ISI-CS-27 Pipe to Flued Head	ISI AUG OWN PRE	-	-	-	-	-	-	-
FSAR 6.6.8E 2	H-01740 II-CS-033CS-FW-1437 CS-2060		1-ISI-CS-33 Valve to Pipe	ISI AUG OWN PRE	-	-	-	-	-	-	-
FSAR 6.6.8E 2	H-01741 II-CS-033CS-FW-1438 CS-2060		1-ISI-CS-33 Pipe to Flued Head	ISI AUG OWN PRE	-	-	-	-	-	-	-
FSAR 6.6.8E 2	H-01743 II-CS-088CS-FW-1467 CS-2060		1-ISI-CS-88 Flued Head to Pipe	ISI AUG OWN PRE	-	-	-	-	-	-	-
FSAR 6.6.8E 2	H-01744 II-CS-088CS-FW-1468 CS-2060		1-ISI-CS-88 Pipe to Valve	ISI AUG OWN PRE	-	-	-	-	-	-	-
FSAR 6.6.8E 2	H-01748 II-CS-088CS-M9-PW-1 CS-2090		1-ISI-CS-88 Flued Head to Pipe	ISI AUG OWN PRE	-	-	-	-	-	-	-
FSAR 6.6.8E 2	H-01760 II-CS-089CS-FW-1771 CS-2060		1-ISI-CS-89 Pipe to Elbow	ISI AUG OWN PRE	-	-	-	-	-	-	-
FSAR 6.6.8E 2	H-01761 II-CS-089CS-FW-1986 CS-2060		1-ISI-CS-89 Valve to Pipe	ISI AUG OWN PRE	-	-	-	-	-	-	-
FSAR 6.6.8E 2	H-01762 II-CS-089CS-FW-1987 CS-2060		1-ISI-CS-89 Pipe to Reducing Elbow	ISI AUG OWN PRE	-	-	-	-	-	-	-

Harris Nuclear Plant 3rd Interval

Category, Item No., Class	Summary No./CompID/System	Scope Method Procedure	Dwg/ISO No. Desc.	Comp. Code Case	Period 1		Period 2			Period 3									
					RFO-14	RFO-15	RFO-16	RFO-17	RFO-18	RFO-19	RFO-20								
FSAR 6.6.8E 2	H-01763 II-CS-089CS-FW-1992 CS-2060		1-ISI-CS-89 Valve to Pipe	ISI AUG OWN PRE	-	-	-	-	-	-	-	-	-	-	-	-	-	-	-
FSAR 6.6.8E 2	H-01764 II-CS-089CS-FW-1993 CS-2060		1-ISI-CS-89 Pipe to Sockolet	ISI AUG OWN PRE	-	-	-	-	-	-	-	-	-	-	-	-	-	-	-
FSAR 6.6.8E 2	H-01765 II-CS-089CS-FW-1998 CS-2060		1-ISI-CS-89 Valve to Pipe	ISI AUG OWN PRE	-	-	-	-	-	-	-	-	-	-	-	-	-	-	-
FSAR 6.6.8E 2	H-01766 II-CS-089CS-FW-1999 CS-2060		1-ISI-CS-89 Pipe to Reducing Elbow	ISI AUG OWN PRE	-	-	-	-	-	-	-	-	-	-	-	-	-	-	-
FSAR 6.6.8E 2	H-01767 II-CS-089CS-FW-3027 CS-2060		1-ISI-CS-89 Pipe to Flued Head	ISI AUG OWN PRE	-	-	-	-	-	-	-	-	-	-	-	-	-	-	-
FSAR 6.6.8E 2	H-01768 II-CS-089CS-M7-PW-1 CS-2060		1-ISI-CS-89 Flued Head to Pipe	ISI AUG OWN PRE	-	-	-	-	-	-	-	-	-	-	-	-	-	-	-
FSAR 6.6.8E 2	H-01769 II-CS-089CS-SW-A3 CS-2060		1-ISI-CS-89 Elbow to Pipe	ISI AUG OWN PRE	-	-	-	-	-	-	-	-	-	-	-	-	-	-	-
FSAR 6.6.8E 2	H-01770 II-CS-089CS-SW-B3 CS-2060		1-ISI-CS-89 Reducing Elbow to Pipe	ISI AUG OWN PRE	-	-	-	-	-	-	-	-	-	-	-	-	-	-	-
FSAR 6.6.8E 2	H-01771 II-CS-089CS-SW-B4 CS-2060		1-ISI-CS-89 Pipe to Tee	ISI AUG OWN PRE	-	-	-	-	-	-	-	-	-	-	-	-	-	-	-

Harris Nuclear Plant 3rd Interval

Category, Item No., Class	Summary No./CompID/System	Scope Method Procedure	Dwg/ISO No. Desc.	Comp. Code Case	Period 1		Period 2			Period 3	
					RFO-14	RFO-15	RFO-16	RFO-17	RFO-18	RFO-19	RFO-20
FSAR 6.6.8E 2	H-01825 II-CS-103CS-M10-PW-1 CS-2090		1-ISI-CS-103 Flued Head to Pipe	ISI AUG OWN PRE	-	-	-	-	-	-	-
FSAR 6.6.8E 2	H-01843 II-CS-107CS-539-1-SW-1 CS-2060		1-ISI-CS-107 Tee, Reducing to Pipe	ISI AUG OWN PRE	-	-	-	-	-	-	-
FSAR 6.6.8E 2	H-01846 II-CS-107CS-FW-2071 CS-2060		1-ISI-CS-107 Flued Head to Pipe	ISI AUG OWN PRE	-	-	-	-	-	-	-
FSAR 6.6.8E 2	H-01847 II-CS-107CS-FW-2072 CS-2060		1-ISI-CS-107 Pipe to Valve	ISI AUG OWN PRE	-	-	-	-	-	-	-
FSAR 6.6.8E 2	H-01851 II-CS-107CS-M11-PW-1 CS-2090		1-ISI-CS-107 Flued Head to Pipe	ISI AUG OWN PRE	-	-	-	-	-	-	-
FSAR 6.6.8E 2	H-01856 II-CS-107CS-SW-C4 CS-2060		1-ISI-CS-107 Pipe to Reducing Tee	ISI AUG OWN PRE	-	-	-	-	-	-	-
FSAR 6.6.8E 2	H-06519 II-BD-010BD-F5SN-MW-1 BD-3010		1-ISI-BD-10	ISI AUG OWN PRE	-	-	-	-	-	-	-
FSAR 6.6.8E 2	H-06522 II-BD-01BD-SW-A3 BD-3010		1-ISI-BD-11 Pipe to Elbow	ISI AUG OWN PRE	-	-	-	-	-	-	-
FSAR 6.6.8E 2	H-06523 II-BD-01BD-SW-A4 BD-3010		1-ISI-BD-11 Elbow to Tee	ISI AUG OWN PRE	-	-	-	-	-	-	-

Harris Nuclear Plant 3rd Interval

Category, Item No., Class	Summary No./CompID/System	Scope Method Procedure	Dwg/ISO No. Desc.	Comp. Code Case	Period 1		Period 2			Period 3	
					RFO-14	RFO-15	RFO-16	RFO-17	RFO-18	RFO-19	RFO-20
FSAR 6.6.8E 2	H-06524 II-BD-01BD-SW-A5 BD-3010		1-ISI-BD-11 Elbow to Pipe	ISI AUG OWN PRE	-	-	-	-	-	-	-
FSAR 6.6.8E 2	H-06525 II-BD-01BD-SW-A6 BD-3010		1-ISI-BD-11 Elbow to Pipe	ISI AUG OWN PRE	-	-	-	-	-	-	-
FSAR 6.6.8E 2	H-06526 II-BD-011BD-F6SN-MW-1 BD-3010		1-ISI-BD-11	ISI AUG OWN PRE	-	-	-	-	-	-	-
FSAR 6.6.8E 2	H-06527 II-BD-011BD-FW-231 BD-3010		1-ISI-BD-11 Valve to Pipe	ISI AUG OWN PRE	-	-	-	-	-	-	-
FSAR 6.6.8E 2	H-06528 II-BD-011BD-FW-304 BD-3010		1-ISI-BD-11	ISI AUG OWN PRE	-	-	-	-	-	-	-
FSAR 6.6.8E 2	H-06529 II-BD-011BD-FW-305 BD-3010		1-ISI-BD-11 Tee to Pipe	ISI AUG OWN PRE	-	-	-	-	-	-	-
FSAR 6.6.8E 2	H-06531 II-BD-011BD-SW-A3 BD-3010		1-ISI-BD-11 Pipe to Elbow	ISI AUG OWN PRE	-	-	-	-	-	-	-
FSAR 6.6.8E 2	H-06532 II-BD-011BD-SW-A4 BD-3010		1-ISI-BD-11 Elbow to Tee	ISI AUG OWN PRE	-	-	-	-	-	-	-
FSAR 6.6.8E 2	H-06533 II-BD-011BD-SW-A5 BD-3010		1-ISI-BD-11	ISI AUG OWN PRE	-	-	-	-	-	-	-

Harris Nuclear Plant 3rd Interval

Category, Item No., Class	Summary No./CompID/System	Scope Method Procedure	Dwg/ISO No. Desc.	Comp. Code Case	Period 1		Period 2			Period 3		
					RFO-14	RFO-15	RFO-16	RFO-17	RFO-18	RFO-19	RFO-20	
FSAR 6.6.8E 2	H-06534 II-BD-011BD-SW-A6 BD-3010		1-ISI-BD-11	ISI AUG OWN PRE	-	-	-	-	-	-	-	-
FSAR 6.6.8E 2	H-06558 II-BD-010BD-FW-310 BD-3010		1-ISI-BD-10	ISI AUG OWN PRE	-	-	-	-	-	-	-	-
FSAR 6.6.8E 2	H-06559 II-BD-010BD-FW-311 BD-3010		1-ISI-BD-10 Tee to Pipe	ISI AUG OWN PRE	-	-	-	-	-	-	-	-
FSAR 6.6.8E 2	H-06560 II-BD-010BD-SW-A3 BD-3010		1-ISI-BD-10 Elbow to Pipe	ISI AUG OWN PRE	-	-	-	-	-	-	-	-
FSAR 6.6.8E 2	H-06561 II-BD-010BD-SW-A4 BD-3010		1-ISI-BD-10 Pipe to Tee	ISI AUG OWN PRE	-	-	-	-	-	-	-	-
FSAR 6.6.8E 2	H-06562 II-BD-010BD-SW-A5 BD-3010		1-ISI-BD-10 Pipe to Tee	ISI AUG OWN PRE	-	-	-	-	-	-	-	-
FSAR 6.6.8E 2	H-06563 II-BD-010BD-SW-A6 BD-3010		1-ISI-BD-10 Pipe to Elbow	ISI AUG OWN PRE	-	-	-	-	-	-	-	-
FSAR 6.6.8E 2	H-07001 II-BD-010BD-FW-206 BD-3010		1-ISI-BD-10 Valve to Pipe	ISI AUG OWN PRE	-	-	-	-	-	-	-	-
R-A R1.11-2 1	H-01787-RI II-CS-094RC-FW-442 RC-2005		1-ISI-CS-94 Valve to Pipe	ISI AUG OWN PRE	-	-	-	-	-	-	-	-

Harris Nuclear Plant 3rd Interval

Category, Item No., Class	Summary No./CompID/System	Scope Method Procedure	Dwg/ISO No. Desc.	Comp. Code Case	Period 1		Period 2			Period 3	
					RFO-14	RFO-15	RFO-16	RFO-17	RFO-18	RFO-19	RFO-20
R-A R1.11-2 1	H-01836-RI II-CS-106RC-131-1-SW-1 RC-2005		1-ISI-CS-106 Pipe to Elbow	ISI AUG OWN PRE	- - - -	- - - -	- - - -	- - - -	- - - -	- - - -	- - - -
R-A R1.11-2 1	H-01839-RI II-CS-106RC-FW-346 RC-2005		1-ISI-CS-106 Pipe to Valve	ISI AUG OWN PRE	- - - -	- - - -	- - - -	- - - -	- - - -	- - - -	- - - -
R-A R1.11-2 1	H-01842-RI II-CS-106RC-SW-A4 RC-2005		1-ISI-CS-106 Elbow to Pipe	ISI AUG OWN PRE	- - - -	- - - -	- - - -	- - - -	- - - -	- - - -	- - - -
R-A R1.11-2 1	H-02558-RI II-FMR-02RC-10-18-SW-K8 RC-2005		1-ISI-RC-2 Pipe to Nozzle	ISI AUG OWN PRE	- - - -	- - - -	- - - -	- - - -	- - - -	- - - -	- - - -
R-A R1.11-2 1	H-02989-RI II-PZR-01NSEW-15 RC-2050	PSI/UT/SI-UT-126 PSI/PT/QAP 9.16	1-ISI-PZR-1 Surge Nozzle to Safe-end	ISI AUG OWN PRE	- - - - c	- - - -	- - - -	- - - -	- - - -	- - - -	- - - -
R-A R1.11-2 1	H-03012-RI II-RC-009RC-FW-1 RC-2005		1-ISI-RC-9 Nozzle to Piping Bend	ISI AUG OWN PRE	- - - -	- - - -	- - - -	- - - -	- - - -	- - - -	- - - -
R-A R1.11-2 1	H-03013-RI II-RC-009RC-FW-2 RC-2005		1-ISI-RC-9 Piping Bend to Piping Bend	ISI AUG OWN PRE	- - - -	- - - -	- - - -	- - - -	- - - -	- - - -	- - - -
R-A R1.11-2 1	H-03014-RI II-RC-009RC-FW-3 RC-2005		1-ISI-RC-9 Piping Bend to Safe End Extension	ISI AUG OWN PRE	- - - -	- - - -	- - - -	- - - -	- - - -	- - - -	- - - -
R-A R1.11-2 1	H-03015-RI II-RC-009RC-SW-A12 RC-2005		1-ISI-RC-9 Piping Bend to Piping Bend	ISI AUG OWN PRE	- - - -	- - - -	- - - -	- - - -	- - - -	- - - -	- - - -

Harris Nuclear Plant 3rd Interval

Category, Item No., Class	Summary No./CompID/System	Scope Method Procedure	Dwg/ISO No. Desc.	Comp. Code Case	Period 1		Period 2			Period 3				
					RFO-14	RFO-15	RFO-16	RFO-17	RFO-18	RFO-19	RFO-20			
R-A R1.11-2 1	H-03016-RI II-RC-009RC-SW-B13 RC-2005		1-ISI-RC-9 Piping Bend to Piping Bend	ISI AUG OWN PRE	-	-	-	-	-	-	-	-	-	-
R-A R1.11-2 1	H-03018-RI II-RC-017RC-FW-336 RC-2005	ISI/UT/NDEP-0425	1-ISI-RC-17 Pipe to Valve 1RC-16	ISI AUG OWN PRE	-	-	-	-	-	-	s	-	-	-
R-A R1.11-2 1	H-03021-RI II-RC-017RC-SW-A3 RC-2005	ISI/UT/NDEP-0425	1-ISI-RC-17 Elbow to Pipe	ISI AUG OWN PRE	-	-	-	-	-	-	s	-	-	-
R-A R1.11-2 1	H-03022-RI II-RC-017RC-SW-A4 RC-2005	ISI/UT/NDEP-0425	1-ISI-RC-17 Pipe to Elbow	ISI AUG OWN PRE	-	-	-	-	-	-	s	-	-	-
R-A R1.11-2 1	H-03069-RI II-RC-023RC-FW-328 RC-2005		1-ISI-RC-23 S01 Piping Bend to Safe End Extension	ISI AUG OWN PRE	-	-	-	-	-	-	-	-	-	-
R-A R1.11-2 1	H-03070-RI II-RC-023RC-SW-A3 RC-2005		1-ISI-RC-23 S01 Piping Bend to Reducer	ISI AUG OWN PRE	-	-	-	-	-	-	-	-	-	-
R-A R1.11-2 1	H-03071-RI II-RC-023RC-SW-A4 RC-2005		1-ISI-RC-23 S01 Reducer to Piping Bend	ISI AUG OWN PRE	-	-	-	-	-	-	-	-	-	-
R-A R1.11-2 1	H-04300-RI II-SI-017RC-SW-A3 RC-2005	ISI/UT/NDEP-0425	1-ISI-SI-17 Elbow to Pipe	ISI AUG OWN PRE	-	-	-	s	-	-	-	-	-	-
R-A R1.11-2 1	H-04301-RI II-SI-017RC-SW-A4 RC-2005	ISI/UT/NDEP-0425	1-ISI-SI-17 Pipe to Elbow	ISI AUG OWN PRE	-	-	-	s	-	-	-	-	-	-

Harris Nuclear Plant 3rd Interval

Category, Item No., Class	Summary No./CompID/System	Scope Method Procedure	Dwg/ISO No. Desc.	Comp. Code Case	Period 1		Period 2			Period 3									
					RFO-14	RFO-15	RFO-16	RFO-17	RFO-18	RFO-19	RFO-20								
R-A R1.11-2 1	H-04649-RI II-SI-026RC-FW-294 RC-2085		1-ISI-SI-26 Pipe to Nozzle	ISI AUG OWN PRE	-	-	-	-	-	-	-	-	-	-	-	-	-	-	-
R-A R1.11-2 1	H-04650-RI II-SI-026RC-SW-A3 RC-2085		1-ISI-SI-26 Elbow to Pipe	ISI AUG OWN PRE	-	-	-	-	-	-	-	-	-	-	-	-	-	-	-
R-A R1.11-2 1	H-04651-RI II-SI-026RC-SW-A4 RC-2085		1-ISI-SI-26 Pipe to Elbow	ISI AUG OWN PRE	-	-	-	-	-	-	-	-	-	-	-	-	-	-	-
R-A R1.11-2 1	H-04652-RI II-SI-026RC-SW-A5 RC-2085		1-ISI-SI-26 Elbow to Pipe	ISI AUG OWN PRE	-	-	-	-	-	-	-	-	-	-	-	-	-	-	-
R-A R1.11-2 1	H-04653-RI II-SI-026RC-SW-A6 RC-2085		1-ISI-SI-26 Pipe to Elbow	ISI AUG OWN PRE	-	-	-	-	-	-	-	-	-	-	-	-	-	-	-
R-A R1.11-2 1	H-04658-RI II-SI-026SI-FW-543 SI-2080		1-ISI-SI-26 Valve to Pipe	ISI AUG OWN PRE	-	-	-	-	-	-	-	-	-	-	-	-	-	-	-
R-A R1.11-2 1	H-04699-RI II-SI-027RC-SW-A3 RC-2085		1-ISI-SI-27 Pipe to Elbow	ISI AUG OWN PRE	-	-	-	-	-	-	-	-	-	-	-	-	-	-	-
R-A R1.11-2 1	H-04700-RI II-SI-027RC-SW-A4 RC-2085		1-ISI-SI-27 Elbow to Pipe	ISI AUG OWN PRE	-	-	-	-	-	-	-	-	-	-	-	-	-	-	-
R-A R1.11-2 1	H-04705-RI II-SI-027SI-FW-542 SI-2085		1-ISI-SI-27 Valve to Pipe	ISI AUG OWN PRE	-	-	-	-	-	-	-	-	-	-	-	-	-	-	-

Harris Nuclear Plant 3rd Interval

Category, Item No., Class	Summary No./CompID/System	Scope Method Procedure	Dwg/ISO No. Desc.	Comp. Code Case	Period 1		Period 2			Period 3		
					RFO-14	RFO-15	RFO-16	RFO-17	RFO-18	RFO-19	RFO-20	
R-A R1.11-2 1	H-04751-RI II-SI-028RC-SW-F3 RC-2085		1-ISI-SI-28 Piping Bend to Elbow	ISI AUG OWN PRE	-	-	-	-	-	-	-	-
R-A R1.11-2 1	H-04752-RI II-SI-028RC-SW-F4 RC-2085		1-ISI-SI-28 Elbow to Pipe	ISI AUG OWN PRE	-	-	-	-	-	-	-	-
R-A R1.11-2 1	H-04753-RI II-SI-028RC-SW-F5 RC-2085		1-ISI-SI-28 Pipe to Elbow	ISI AUG OWN PRE	-	-	-	-	-	-	-	-
R-A R1.11-2 1	H-04754-RI II-SI-028RC-SW-F6 RC-2085		1-ISI-SI-28 Elbow to Pipe	ISI AUG OWN PRE	-	-	-	-	-	-	-	-
R-A R1.11-2 1	H-04759-RI II-SI-028SI-FW-535 SI-2085		1-ISI-SI-28 Valve 1SI-136 to Pipe	ISI AUG OWN PRE	-	-	-	-	-	-	-	-
R-A R1.11-2 1	H-06555 II-SI-017RC-FW-604 RC-2005		1-ISI-SI-17 Valve 1SI-138 to Pipe	ISI AUG OWN PRE	-	-	-	-	-	-	-	-
R-A R1.11-5 2	H-01183-RI II-AF-008AF-FW-7 AF-3065		1-ISI-AF-8 Pipe to Elbow	ISI AUG OWN PRE	-	-	-	-	-	-	-	-
R-A R1.11-5 2	H-01184-RI II-AF-008AF-FW-8 AF-3065	ISI/UT/NDEP-0437	1-ISI-AF-8 Elbow to SG Nozzle	ISI AUG OWN PRE	-	-	-	-	-	-	s	-
R-A R1.11-5 2	H-01209-RI II-AF-009AF-FW-7 AF-3065		1-ISI-AF-9 Pipe to Pipe	ISI AUG OWN PRE	-	-	-	-	-	-	-	-

Harris Nuclear Plant 3rd Interval

Category, Item No., Class	Summary No./Comp/D/System	Scope Method Procedure	Dwg/ISO No. Desc.	Comp. Code Case	Period 1		Period 2			Period 3	
					RFO-14	RFO-15	RFO-16	RFO-17	RFO-18	RFO-19	RFO-20
R-A	H-01210-RI		1-ISI-AF-9	ISI	-	-	-	-	-	-	-
R1.11-5	II-AF-009AF-FW-8		Pipe to Nozzle 1B Inlet	AUG	-	-	-	-	-	-	-
2	AF-3065			OWN	-	-	-	-	-	-	-
				PRE	-	-	-	-	-	-	-
R-A	H-01237-RI		1-ISI-AF-10	ISI	-	-	-	-	-	-	-
R1.11-5	II-AF-010AF-FW-7		Pipe to Elbow	AUG	-	-	-	-	-	-	-
2	AF-3065			OWN	-	-	-	-	-	-	-
				PRE	-	-	-	-	-	-	-
R-A	H-01238-RI		1-ISI-AF-10	ISI	-	-	-	-	-	-	-
R1.11-5	II-AF-010AF-FW-8		Pipe to SG Nozzle 1C Inlet	AUG	-	-	-	-	-	-	-
2	AF-3065			OWN	-	-	-	-	-	-	-
				PRE	-	-	-	-	-	-	-
R-A	H-01477-RI		1-ISI-CS-2	ISI	-	-	-	-	-	-	-
R1.11-5	II-CS-002RH-FW-89		Tee, Reducing to Pipe	AUG	-	-	-	-	-	-	-
2	RH-2085			OWN	-	-	-	-	-	-	-
				PRE	-	-	-	-	-	-	-
R-A	H-01517-RI		1-ISI-CS-2	ISI	-	-	-	-	-	-	-
R1.11-5	II-CS-002RH-SW-C10		Pipe to Elbow	AUG	-	-	-	-	-	-	-
2	RH-2085			OWN	-	-	-	-	-	-	-
				PRE	-	-	-	-	-	-	-
R-A	H-01534-RI		1-ISI-CS-2	ISI	-	-	-	-	-	-	-
R1.11-5	II-CS-002RH-SW-C9		Elbow to Pipe	AUG	-	-	-	-	-	-	-
2	RH-2085			OWN	-	-	-	-	-	-	-
				PRE	-	-	-	-	-	-	-
R-A	H-01785-RI		1-ISI-CS-94	ISI	-	-	-	-	-	-	-
R1.11-5	II-CS-094CS-FW-3081		Valve to Pipe	AUG	-	-	-	-	-	-	-
1	CS-2060			OWN	-	-	-	-	-	-	-
				PRE	-	-	-	-	-	-	-
R-A	H-01786-RI		1-ISI-CS-94	ISI	-	-	-	-	-	-	-
R1.11-5	II-CS-094CS-FW-3082		Pipe to Valve	AUG	-	-	-	-	-	-	-
1	CS-2060			OWN	-	-	-	-	-	-	-
				PRE	-	-	-	-	-	-	-
R-A	H-01793-RI		1-ISI-CS-97	ISI	-	-	-	-	-	-	-
R1.11-5	II-CS-097CS-FW-3071		Valve to Pipe	AUG	-	-	-	-	-	-	-
1	CS-2060			OWN	-	-	-	-	-	-	-
				PRE	-	-	-	-	-	-	-

Harris Nuclear Plant 3rd Interval

Category, Item No., Class	Summary No./ComplID/System	Scope Method Procedure	Dwg/ISO No. Desc.	Comp. Code Case	Period 1		Period 2			Period 3	
					RFO-14	RFO-15	RFO-16	RFO-17	RFO-18	RFO-19	RFO-20
R-A R1.11-5 1	H-01794-RI II-CS-097CS-FW-3072 CS-2060		1-ISI-CS-97 Pipe to Valve	ISI AUG OWN PRE	- - - -	- - - -	- - - -	- - - -	- - - -	- - - -	- - - -
R-A R1.11-5 1	H-01796-RI II-CS-097CS-SW-E3 CS-2060	ISI/UT/NDEP-0425	1-ISI-CS-97 Elbow to Pipe	ISI AUG OWN PRE	- - - -	- - - -	- - - -	- - - -	- - - -	s - - -	- - - -
R-A R1.11-5 1	H-01797-RI II-CS-097CS-SW-E4 CS-2060		1-ISI-CS-97 Pipe to Elbow	ISI AUG OWN PRE	- - - -	- - - -	- - - -	- - - -	- - - -	- - - -	- - - -
R-A R1.11-5 1	H-01811-RI II-CS-102CS-FW-3083 CS-2060		1-ISI-CS-102 Valve to Pipe	ISI AUG OWN PRE	- - - -	- - - -	- - - -	- - - -	- - - -	- - - -	- - - -
R-A R1.11-5 1	H-01812-RI II-CS-102CS-FW-3084 CS-2060		1-ISI-CS-102 Pipe to Valve	ISI AUG OWN PRE	- - - -	- - - -	- - - -	- - - -	- - - -	- - - -	- - - -
R-A R1.11-5 2	H-02429-RI II-FMR-01FW-FW-5 FW-3050		1-ISI-FW-5 Pipe to Elbow	ISI AUG OWN PRE	- - - -	- - - -	- - - -	- - - -	- - - -	- - - -	- - - -
R-A R1.11-5 2	H-02430-RI II-FMR-01FW-FW-7 FW-3050	ISI/UT/NDEP-0437	1-ISI-FW-5 Elbow to SG Nozzle	ISI AUG OWN PRE	- - - -	- - - -	- - - -	- - - -	- - - -	s - - -	- - - -
R-A R1.11-5 2	H-02506-RI II-FMR-02FW-FW-10 FW-3050		1-ISI-FW-6 Elbow to Nozzle	ISI AUG OWN PRE	- - - -	- - - -	- - - -	- - - -	- - - -	- - - -	- - - -
R-A R1.11-5 2	H-02515-RI II-FMR-02FW-FW-9 FW-3050		1-ISI-FW-6 Pipe to Elbow	ISI AUG OWN PRE	- - - -	- - - -	- - - -	- - - -	- - - -	- - - -	- - - -

Harris Nuclear Plant 3rd Interval

Category, Item No., Class	Summary No./CompID/System	Scope Method Procedure	Dwg/ISO No. Desc.	Comp. Code Case	Period 1		Period 2			Period 3	
					RFO-14	RFO-15	RFO-16	RFO-17	RFO-18	RFO-19	RFO-20
R-A	H-02585-RI		1-ISI-FW-7	ISI	-	-	-	-	-	-	-
R1.11-5	II-FMR-03FW-FW-6		Pipe to Elbow	AUG	-	-	-	-	-	-	-
2	FW-3050			OWN	-	-	-	-	-	-	-
				PRE	-	-	-	-	-	-	-
R-A	H-02586-RI		1-ISI-FW-7	ISI	-	-	-	-	-	-	-
R1.11-5	II-FMR-03FW-FW-7		Elbow to Nozzle	AUG	-	-	-	-	-	-	-
2	FW-3050			OWN	-	-	-	-	-	-	-
				PRE	-	-	-	-	-	-	-
R-A	H-03579-RI		1-ISI-RH-4	ISI	-	-	-	-	-	-	-
R1.11-5	II-RH-004RH-FW-74		Pipe to Elbow	AUG	-	-	-	-	-	-	-
2	RH-2085			OWN	-	-	-	-	-	-	-
				PRE	-	-	-	-	-	-	-
R-A	H-03612-RI		1-ISI-RH-4	ISI	-	-	-	-	-	-	-
R1.11-5	II-RH-004RH-SW-C3		Tee, Reducing to Pipe	AUG	-	-	-	-	-	-	-
2	RH-2085			OWN	-	-	-	-	-	-	-
				PRE	-	-	-	-	-	-	-
R-A	H-03621-RI	ISI/UT/NDEP-0425	1-ISI-RH-4	ISI	-	-	-	s	-	-	-
R1.11-5	II-RH-004RH-SW-D3		Elbow to Pipe	AUG	-	-	-	-	-	-	-
2	RH-2085			OWN	-	-	-	-	-	-	-
				PRE	-	-	-	-	-	-	-
R-A	H-04573-RI	ISI/UT/NDEP-0425	1-ISI-SI-24	ISI	-	-	-	s	-	-	-
R1.11-5	II-SI-024SI-FW-587		Pipe to Valve 1SI-81	AUG	-	-	-	-	-	-	-
1	SI-2085			OWN	-	-	-	-	-	-	-
				PRE	-	-	-	-	-	-	-
R-A	H-04587-RI		1-ISI-SI-24	ISI	-	-	-	-	-	-	-
R1.11-5	II-SI-024SI-SW-C8		Pipe to Sockolet	AUG	-	-	-	-	-	-	-
1	SI-2085			OWN	-	-	-	-	-	-	-
				PRE	-	-	-	-	-	-	-
R-A	H-04603-RI	ISI/UT/NDEP-0425	1-ISI-SI-25	ISI	-	-	-	s	-	-	-
R1.11-5	II-SI-025SI-FW-537		Pipe to Valve 1SI-82	AUG	-	-	-	-	-	-	-
1	SI-2085			OWN	-	-	-	-	-	-	-
				PRE	-	-	-	-	-	-	-
R-A	H-04638-RI		1-ISI-SI-25	ISI	-	-	-	-	-	-	-
R1.11-5	II-SI-025SI-SW-H5		Pipe to Sockolet	AUG	-	-	-	-	-	-	-
1	SI-2085			OWN	-	-	-	-	-	-	-
				PRE	-	-	-	-	-	-	-

Harris Nuclear Plant 3rd Interval

Category, Item No., Class	Summary No./CompID/System	Scope Method Procedure	Dwg/ISO No. Desc.	Comp. Code Case	Period 1		Period 2			Period 3		
					RFO-14	RFO-15	RFO-16	RFO-17	RFO-18	RFO-19	RFO-20	
R-A R1.11-5 1	H-04679-RI II-SI-026SI-SW-C7 SI-2080		1-ISI-SI-26 Pipe to Sockolet	ISI AUG OWN PRE	-	-	-	-	-	-	-	-
R-A R1.15-2 1	H-02990-RI II-PZR-01NSEW-16 RC-2050	PSI/UT/SI-UT-126 PSI/PT/QAP 9.16	1-ISI-PZR-1 Pressurizer Spray Nozzle Safe-End	ISI AUG OWN PRE	-	-	-	-	-	-	-	-
R-A R1.15-2 1	H-02991-RI II-PZR-01NSEW-17 RC-2050	PSI/UT/SI-UT-126 PSI/PT/QAP 9.16	1-ISI-PZR-1 Pressurizer Safety "A" Safe-End	ISI AUG OWN PRE	-	-	-	-	-	-	-	-
R-A R1.15-2 1	H-02992-RI II-PZR-01NSEW-18 RC-2050	PSI/UT/SI-UT-126 PSI/PT/QAP 9.16	1-ISI-PZR-1 Pressurizer Safety "B" Safe-End	ISI AUG OWN PRE	-	-	-	-	-	-	-	-
R-A R1.15-2 1	H-02993-RI II-PZR-01NSEW-19 RC-2050	PSI/UT/SI-UT-126 PSI/PT/QAP 9.16	1-ISI-PZR-1 Pressurizer Safety "C" Safe-End	ISI AUG OWN PRE	-	-	-	-	-	-	-	-
R-A R1.15-2 1	H-02994-RI II-PZR-01NSEW-20 RC-2050	PSI/UT/SI-UT-126 PSI/PT/QAP 9.16	1-ISI-PZR-1 Relief Line Nozzle to Safe-End	ISI AUG OWN PRE	-	-	-	-	-	-	-	-
R-A R1.15-2 1	H-03808-RI II-RV-001RVNOZAO-N-06SE RC-1005	ISI/VT/NDEP-0612 AUG/VT/NDEP-0612	1-ISI-RC-1 RV Nozzle to Loop "A" Hot Leg Pipe	ISI AUG OWN PRE	c	-	-	-	-	-	-	b
R-A R1.15-2 1	H-03812-RI II-RV-001RVNOZBO-N-02SE RC-1005	AUG/VT/NDEP-0612 ISI/VT/NDEP-0612	1-ISI-RC-2 RV Nozzle to Loop "B" Hot Leg Pipe	ISI AUG OWN PRE	c	-	-	-	-	-	-	s
R-A R1.15-2 1	H-03816-RI II-RV-001RVNOZCO-N-04SE RC-1005	ISI/VT/NDEP-0612 AUG/VT/NDEP-0612	1-ISI-RC-3 RV Nozzle to Loop "C" Hot Leg Pipe	ISI AUG OWN PRE	c	-	-	-	-	-	-	s

Harris Nuclear Plant 3rd Interval

Category, Item No., Class	Summary No./CompID/System	Scope Method Procedure	Dwg/ISO No. Desc.	Comp. Code Case	Period 1		Period 2			Period 3		
					RFO-14	RFO-15	RFO-16	RFO-17	RFO-18	RFO-19	RFO-20	
R-A R1.16-5 1	H-04314-RI II-SI-017SI-FW-605 SI-2080		1-ISI-SI-17 Pipe to Valve 1SI-138	ISI AUG OWN PRE	-	-	-	-	-	-	-	-
R-A R1.16-5 1	H-04321-RI II-SI-017SI-FW-905 SI-9030		1-ISI-SI-17 Coupling to Reducer	ISI AUG OWN PRE	-	-	-	-	-	-	-	-
R-A R1.16-5 1	H-04322-RI II-SI-017SI-SW-B3 SI-9030		1-ISI-SI-17 Reducer to Pipe	ISI AUG OWN PRE	-	-	-	-	-	-	-	-
R-A R1.16-5 1	H-04326-RI II-SI-017SI-SW-C5 SI-9030		1-ISI-SI-17 Pipe to Coupling	ISI AUG OWN PRE	-	-	-	-	-	-	-	-
R-A R1.16-5 1	H-04327-RI II-SI-017SI-SW-C6 SI-9030		1-ISI-SI-17 Elbow to Pipe	ISI AUG OWN PRE	-	-	-	-	-	-	-	-
R-A R1.16-5 1	H-04358-RI II-SI-018SI-FW-966 SI-2080		1-ISI-SI-18 Pipe to Sockolet	ISI AUG OWN PRE	-	-	-	-	-	-	-	-
R-A R1.16-5 1	H-04397-RI II-SI-019SI-FW-997 SI-2080		1-ISI-SI-19 Pipe to Sockolet	ISI AUG OWN PRE	-	-	-	-	-	-	-	-
R-A R1.16-5 1	H-04402-RI II-SI-019SI-SW-A8 SI-2080		1-ISI-SI-19 Pipe to Elbow	ISI AUG OWN PRE	-	-	-	-	-	-	-	-
R-A R1.16-5 1	H-04403-RI II-SI-019SI-SW-A9 SI-2080		1-ISI-SI-19 Elbow to Pipe	ISI AUG OWN PRE	-	-	-	-	-	-	-	-

Harris Nuclear Plant 3rd Interval

Category, Item No., Class	Summary No./CompID/System	Scope Method Procedure	Dwg/ISO No. Desc.	Comp. Code Case	Period 1		Period 2			Period 3				
					RFO-14	RFO-15	RFO-16	RFO-17	RFO-18	RFO-19	RFO-20			
R-A R1.16-5 1	H-04443-RI II-SI-020SI-FW-975 SI-2080		1-ISI-SI-20 Pipe to Sockolet	ISI AUG OWN PRE	-	-	-	-	-	-	-	-	-	-
R-A R1.16-5 1	H-04444-RI II-SI-020SI-SW-A3 SI-2080		1-ISI-SI-20 Elbow to Pipe	ISI AUG OWN PRE	-	-	-	-	-	-	-	-	-	-
R-A R1.16-5 1	H-04445-RI II-SI-020SI-SW-A4 SI-2080		1-ISI-SI-20 Pipe to Elbow	ISI AUG OWN PRE	-	-	-	-	-	-	-	-	-	-
R-A R1.16-5 1	H-04476-RI II-SI-021SI-FW-549 SI-2080		1-ISI-SI-21 Pipe to Valve	ISI AUG OWN PRE	-	-	-	-	-	-	-	-	-	-
R-A R1.16-5 1	H-04496-RI II-SI-021SI-SW-D5 SI-2080		1-ISI-SI-21 Elbow to Pipe	ISI AUG OWN PRE	-	-	-	-	-	-	-	-	-	-
R-A R1.16-5 1	H-04508-RI II-SI-022SI-FW-553 SI-2080		1-ISI-SI-22 Pipe to Valve	ISI AUG OWN PRE	-	-	-	-	-	-	-	-	-	-
R-A R1.16-5 1	H-04528-RI II-SI-022SI-SW-D5 SI-2080		1-ISI-SI-22 Elbow to Pipe	ISI AUG OWN PRE	-	-	-	-	-	-	-	-	-	-
R-A R1.16-5 1	H-04543-RI II-SI-023SI-FW-611 SI-2085		1-ISI-SI-23 Pipe to Valve	ISI AUG OWN PRE	-	-	-	-	-	-	-	-	-	-
R-A R1.16-5 1	H-04556-RI II-SI-023SI-SW-D3 SI-2085		1-ISI-SI-23 Elbow to Pipe	ISI AUG OWN PRE	-	-	-	-	-	-	-	-	-	-

Harris Nuclear Plant 3rd Interval

Category, Item No., Class	Summary No./CompID/System	Scope Method Procedure	Dwg/ISO No. Desc.	Comp. Code Case	Period 1		Period 2			Period 3	
					RFO-14	RFO-15	RFO-16	RFO-17	RFO-18	RFO-19	RFO-20
R-A R1.16-5 1	H-04580-RI II-SI-024SI-SW-B6 SI-2085	ISI/UT/NDEP-0425	1-ISI-SI-24 Pipe to Elbow	ISI AUG OWN PRE	-	-	s	-	-	-	-
R-A R1.16-5 1	H-04581-RI II-SI-024SI-SW-B7 SI-2085	ISI/UT/NDEP-0425	1-ISI-SI-24 Elbow to Pipe	ISI AUG OWN PRE	-	-	s	-	-	-	-
R-A R1.16-5 1	H-04582-RI II-SI-024SI-SW-B8 SI-2085		1-ISI-SI-24 Pipe to Sockolet	ISI AUG OWN PRE	-	-	-	-	-	-	-
R-A R1.16-5 1	H-04639-RI II-SI-025SI-SW-110 SI-2085		1-ISI-SI-25 Pipe to Sockolet	ISI AUG OWN PRE	-	-	-	-	-	-	-
R-A R1.16-5 1	H-04640-RI II-SI-025SI-SW-13 SI-2085		1-ISI-SI-25 Elbow to Pipe	ISI AUG OWN PRE	-	-	-	-	-	-	-
R-A R1.16-5 1	H-04641-RI II-SI-025SI-SW-14 SI-2085		1-ISI-SI-25 Pipe to Elbow	ISI AUG OWN PRE	-	-	-	-	-	-	-
R-A R1.16-5 1	H-04675-RI II-SI-026SI-SW-B6 SI-2080		1-ISI-SI-26 Pipe to Sockolet	ISI AUG OWN PRE	-	-	-	-	-	-	-
R-A R1.16-5 1	H-04704-RI II-SI-027SI-FW-541 SI-2085		1-ISI-SI-27 Piping Bend to Valve	ISI AUG OWN PRE	-	-	-	-	-	-	-
R-A R1.16-5 1	H-04720-RI II-SI-027SI-SW-B5 SI-2085		1-ISI-SI-27 Pipe to Piping Bend	ISI AUG OWN PRE	-	-	-	-	-	-	-

Harris Nuclear Plant 3rd Interval

Category, Item No., Class	Summary No./CompID/System	Scope Method Procedure	Dwg/ISO No. Desc.	Comp. Code Case	Period 1		Period 2			Period 3		
					RFO-14	RFO-15	RFO-16	RFO-17	RFO-18	RFO-19	RFO-20	
R-A R1.18-6 2	H-02428-RI II-FMR-01FW-FW-496 FW-3050		1-ISI-FW-5 Elbow to Pipe	ISI AUG OWN PRE	-	-	-	-	-	-	-	-
R-A R1.18-6 2	H-02432-RI II-FMR-01FW-M4-PW-1 FW-3050		1-ISI-FW-5 Flued Head to Pipe	ISI AUG OWN PRE	-	-	-	-	-	-	-	-
R-A R1.18-6 2	H-02433-RI II-FMR-01FW-SW-F14 FW-3050		1-ISI-FW-5 Pipe to Pipe	ISI AUG OWN PRE	-	-	-	-	-	-	-	-
R-A R1.18-6 2	H-02434-RI II-FMR-01FW-SW-F3 FW-3050		1-ISI-FW-5 Pipe to Elbow	ISI AUG OWN PRE	-	-	-	-	-	-	-	-
R-A R1.18-6 2	H-02435-RI II-FMR-01FW-SW-F4 FW-3050		1-ISI-FW-5 Elbow to Pipe	ISI AUG OWN PRE	-	-	-	-	-	-	-	-
R-A R1.18-6 2	H-02436-RI II-FMR-01FW-SW-G10 FW-3050		1-ISI-FW-5 Pipe to Piping Bend	ISI AUG OWN PRE	-	-	-	-	-	-	-	-
R-A R1.18-6 2	H-02510-RI II-FMR-02FW-FW-487 FW-3050		1-ISI-FW-6 Flued Head to Pipe	ISI AUG OWN PRE	-	-	-	-	-	-	-	-
R-A R1.18-6 2	H-02516-RI II-FMR-02FW-M5-PW-1 FW-3050		1-ISI-FW-6 Flued Head to Pipe	ISI AUG OWN PRE	-	-	-	-	-	-	-	-
R-A R1.18-6 2	H-02578-RI II-FMR-03FW-FW-479 FW-3050		1-ISI-FW-7 Flued Head to Pipe	ISI AUG OWN PRE	-	-	-	-	-	-	-	-

Harris Nuclear Plant 3rd Interval

Category, Item No., Class	Summary No./ComplID/System	Scope Method Procedure	Dwg/ISO No. Desc.	Comp. Code Case	Period 1		Period 2			Period 3		
					RFO-14	RFO-15	RFO-16	RFO-17	RFO-18	RFO-19	RFO-20	
R-A R1.18-6 2	H-02674-RI II-FW-001FW-FW-499 FW-3050		1-ISI-FW-1 S03 Valve to Pipe	ISI AUG OWN PRE	-	-	-	-	-	-	-	-
R-A R1.18-6 2	H-02675-RI II-FW-001FW-FW-500 FW-3050		1-ISI-FW-1 S03 Pipe to Valve	ISI AUG OWN PRE	-	-	-	-	-	-	-	-
R-A R1.18-6 2	H-02676-RI II-FW-001FW-FW-501 FW-3050	ISI/UT/NDEP-0427	1-ISI-FW-1 S02 Valve 1FW-277 to Pipe	ISI AUG OWN PRE	-	-	-	-	s	-	-	-
R-A R1.18-6 2	H-02677-RI II-FW-001FW-FW-502 FW-3050		1-ISI-FW-1 S02 Pipe to Flued Head	ISI AUG OWN PRE	-	-	-	-	-	-	-	-
R-A R1.18-6 2	H-02678-RI II-FW-001FW-FW-503 FW-3050		1-ISI-FW-1 S01 Valve to Pipe	ISI AUG OWN PRE	-	-	-	-	-	-	-	-
R-A R1.18-6 2	H-02679-RI II-FW-001FW-FW-504 FW-3050		1-ISI-FW-1 S01 Pipe to Valve	ISI AUG OWN PRE	-	-	-	-	-	-	-	-
R-A R1.18-6 2	H-02680-RI II-FW-001FW-FW-505 FW-3050	ISI/UT/NDEP-0427	1-ISI-FW-1 S03 Valve to Pipe	ISI AUG OWN PRE	-	-	-	-	s	-	-	-
R-A R1.18-6 2	H-02681-RI II-FW-001FW-FW-506 FW-3050		1-ISI-FW-1 S01 Pipe to Flued Head	ISI AUG OWN PRE	-	-	-	-	-	-	-	-
R-A R1.18-6 2	H-02682-RI II-FW-001FW-FW-507 FW-3050		1-ISI-FW-1 S02 Valve to Pipe	ISI AUG OWN PRE	-	-	-	-	-	-	-	-

Harris Nuclear Plant 3rd Interval

Category, Item No., Class	Summary No./CompID/System	Scope Method Procedure	Dwg/ISO No. Desc.	Comp. Code Case	Period 1		Period 2			Period 3		
					RFO-14	RFO-15	RFO-16	RFO-17	RFO-18	RFO-19	RFO-20	
R-A R1.18-6 2	H-02683-RI II-FW-001FW-FW-508 FW-3050		1-ISI-FW-1 S02 Pipe to Valve	ISI AUG OWN PRE	-	-	-	-	-	-	-	-
R-A R1.18-6 2	H-02684-RI II-FW-001FW-FW-509 FW-3050	ISI/UT/NDEP-0427	1-ISI-FW-1 S01 Valve 1FW-159 to Pipe	ISI AUG OWN PRE	-	-	-	s	-	-	-	-
R-A R1.18-6 2	H-02685-RI II-FW-001FW-FW-510 FW-3050		1-ISI-FW-1 S03 Pipe to Flued Head	ISI AUG OWN PRE	-	-	-	-	-	-	-	-
R-A R1.18-6 2	H-02686-RI II-FW-001FW-FW-574 FW-3050		1-ISI-FW-1 S03 Reducing Tee to Reducer	ISI AUG OWN PRE	-	-	-	-	-	-	-	-
R-A R1.18-6 2	H-02687-RI II-FW-001FW-FW-576 FW-3050		1-ISI-FW-1 S01 Reducing Tee to Reducer	ISI AUG OWN PRE	-	-	-	-	-	-	-	-
R-A R1.18-6 2	H-02688-RI II-FW-001FW-FW-578 FW-3050		1-ISI-FW-1 S02 Reducing Tee to Reducer	ISI AUG OWN PRE	-	-	-	-	-	-	-	-
R-A R1.18-6 2	H-02689-RI II-FW-001FW-FW-700 FW-3050		1-ISI-FW-1 S03 Reducer to Cap	ISI AUG OWN PRE	-	-	-	-	-	-	-	-
R-A R1.18-6 2	H-02690-RI II-FW-001FW-FW-701 FW-3050		1-ISI-FW-1 S02 Reducer to Cap	ISI AUG OWN PRE	-	-	-	-	-	-	-	-
R-A R1.18-6 2	H-02691-RI II-FW-001FW-FW-702 FW-3050		1-ISI-FW-1 S01 Reducer to Cap	ISI AUG OWN PRE	-	-	-	-	-	-	-	-

Harris Nuclear Plant 3rd Interval

Category, Item No., Class	Summary No./CompID/System	Scope Method Procedure	Dwg/ISO No. Desc.	Comp. Code Case	Period 1		Period 2			Period 3									
					RFO-14	RFO-15	RFO-16	RFO-17	RFO-18	RFO-19	RFO-20								
R-A R1.18-6 2	H-02701-RI II-FW-001FW-SW-D3 FW-3050		1-ISI-FW-1 S03 Tee to Pipe	ISI AUG OWN PRE	-	-	-	-	-	-	-	-	-	-	-	-	-	-	-
R-A R1.18-6 2	H-02702-RI II-FW-001FW-SW-D4 FW-3050		1-ISI-FW-1 S03 Pipe to Tee	ISI AUG OWN PRE	-	-	-	-	-	-	-	-	-	-	-	-	-	-	-
R-A R1.18-6 2	H-02703-RI II-FW-001FW-SW-E3 FW-3050		1-ISI-FW-1 S02 Tee to Pipe	ISI AUG OWN PRE	-	-	-	-	-	-	-	-	-	-	-	-	-	-	-
R-A R1.18-6 2	H-02704-RI II-FW-001FW-SW-E4 FW-3050		1-ISI-FW-1 S02 Pipe to Tee	ISI AUG OWN PRE	-	-	-	-	-	-	-	-	-	-	-	-	-	-	-
R-A R1.18-6 2	H-02705-RI II-FW-001FW-SW-F3 FW-3050		1-ISI-FW-1 S01 Socket to Pipe	ISI AUG OWN PRE	-	-	-	-	-	-	-	-	-	-	-	-	-	-	-
R-A R1.18-6 2	H-02706-RI II-FW-001FW-SW-F4 FW-3050		1-ISI-FW-1 S01 Pipe to Socket	ISI AUG OWN PRE	-	-	-	-	-	-	-	-	-	-	-	-	-	-	-
R-A R1.20-4 2	H-01467-RI II-CS-002RH-FW-82 RH-2085		1-ISI-CS-2 Valve to Pipe	ISI AUG OWN PRE	-	-	-	-	-	-	-	-	-	-	-	-	-	-	-
R-A R1.20-4 2	H-01536-RI II-CS-002RH-SW-D5 RH-2085		1-ISI-CS-2 Pipe to Pipe	ISI AUG OWN PRE	-	-	-	-	-	-	-	-	-	-	-	-	-	-	-
R-A R1.20-4 2	H-01710-RI II-CS-021RH-FW-159 RH-2085		1-ISI-CS-21 Elbow to Pipe	ISI AUG OWN PRE	-	-	-	-	-	-	-	-	-	-	-	-	-	-	-

Harris Nuclear Plant 3rd Interval

Category, Item No., Class	Summary No./CompID/System	Scope Method Procedure	Dwg/ISO No. Desc.	Comp. Code Case	Period 1		Period 2			Period 3	
					RFO-14	RFO-15	RFO-16	RFO-17	RFO-18	RFO-19	RFO-20
R-A R1.20-4 2	H-01712-RI II-CS-021RH-FW-83 RH-2085		1-ISI-CS-21 Pipe to Pipe	ISI AUG OWN PRE	-	-	-	-	-	-	-
R-A R1.20-4 2	H-01715-RI II-CS-021RH-FW-84 RH-2085	ISI/UT/NDEP-0425	1-ISI-CS-21 Pipe to Elbow	ISI AUG OWN PRE	-	-	-	-	-	s	-
R-A R1.20-4 2	H-01717-RI II-CS-021RH-SW-A3 RH-2085	ISI/UT/NDEP-0425	1-ISI-CS-21 Elbow to Pipe	ISI AUG OWN PRE	-	-	-	-	-	s	-
R-A R1.20-4 2	H-01719-RI II-CS-021RH-SW-A4 RH-2085		1-ISI-CS-21 Pipe to Elbow	ISI AUG OWN PRE	-	-	-	-	-	-	-
R-A R1.20-4 2	H-01721-RI II-CS-021RH-SW-B6 RH-2085		1-ISI-CS-21 Pipe to Elbow	ISI AUG OWN PRE	-	-	-	-	-	-	-
R-A R1.20-4 2	H-01723-RI II-CS-021RH-SW-B7 RH-2085		1-ISI-CS-21 Elbow to Pipe	ISI AUG OWN PRE	-	-	-	-	-	-	-
R-A R1.20-4 1	H-01747-RI II-CS-088CS-FW-3107 CS-2060		1-ISI-CS-88 Valve to Pipe	ISI AUG OWN PRE	-	-	-	-	-	-	-
R-A R1.20-4 1	H-01749-RI II-CS-088CS-SW-A10 CS-2060		1-ISI-CS-88 Tee to Pipe	ISI AUG OWN PRE	-	-	-	-	-	-	-
R-A R1.20-4 1	H-01750-RI II-CS-088CS-SW-A11 CS-2060		1-ISI-CS-88 Pipe to Tee	ISI AUG OWN PRE	-	-	-	-	-	-	-

Harris Nuclear Plant 3rd Interval

Category, Item No., Class	Summary No./CompID/System	Scope Method Procedure	Dwg/ISO No. Desc.	Comp. Code Case	Period 1		Period 2			Period 3									
					RFO-14	RFO-15	RFO-16	RFO-17	RFO-18	RFO-19	RFO-20								
R-A R1.20-4 1	H-01751-RI II-CS-088CS-SW-A12 CS-2060		1-ISI-CS-88 Tee to Pipe	ISI AUG OWN PRE	-	-	-	-	-	-	-	-	-	-	-	-	-	-	-
R-A R1.20-4 1	H-01752-RI II-CS-088CS-SW-A13 CS-2060		1-ISI-CS-88 Pipe to Reducing Coupling	ISI AUG OWN PRE	-	-	-	-	-	-	-	-	-	-	-	-	-	-	-
R-A R1.20-4 1	H-01753-RI II-CS-088CS-SW-A3 CS-2060		1-ISI-CS-88 Pipe to Flange	ISI AUG OWN PRE	-	-	-	-	-	-	-	-	-	-	-	-	-	-	-
R-A R1.20-4 1	H-01754-RI II-CS-088CS-SW-A4 CS-2060	ISI/UT/NDEP-0425	1-ISI-CS-88 Elbow to Pipe	ISI AUG OWN PRE	-	-	-	-	s	-	-	-	-	-	-	-	-	-	-
R-A R1.20-4 1	H-01755-RI II-CS-088CS-SW-A5 CS-2060	ISI/UT/NDEP-0425	1-ISI-CS-88 Piping Bend to Elbow	ISI AUG OWN PRE	-	-	-	-	s	-	-	-	-	-	-	-	-	-	-
R-A R1.20-4 1	H-01756-RI II-CS-088CS-SW-A6 CS-2060	ISI/UT/NDEP-0425	1-ISI-CS-88 Elbow to Piping Bend	ISI AUG OWN PRE	-	-	-	-	s	-	-	-	-	-	-	-	-	-	-
R-A R1.20-4 1	H-01757-RI II-CS-088CS-SW-A7 CS-2060		1-ISI-CS-88 Pipe to Elbow	ISI AUG OWN PRE	-	-	-	-	-	-	-	-	-	-	-	-	-	-	-
R-A R1.20-4 1	H-01758-RI II-CS-088CS-SW-A8 CS-2060		1-ISI-CS-88 Elbow to Pipe	ISI AUG OWN PRE	-	-	-	-	-	-	-	-	-	-	-	-	-	-	-
R-A R1.20-4 1	H-01759-RI II-CS-088CS-SW-A9 CS-2060		1-ISI-CS-88 Pipe to Elbow	ISI AUG OWN PRE	-	-	-	-	-	-	-	-	-	-	-	-	-	-	-

Harris Nuclear Plant 3rd Interval

Category, Item No., Class	Summary No./CompID/System	Scope Method Procedure	Dwg/ISO No. Desc.	Comp. Code Case	Period 1		Period 2			Period 3	
					RFO-14	RFO-15	RFO-16	RFO-17	RFO-18	RFO-19	RFO-20
R-A R1.20-4 1	H-01781-RI II-CS-093CS-FW-3076 RC-2005		1-ISI-CS-93 Pipe to Valve	ISI AUG OWN PRE	- - - -	- - - -	- - - -	- - - -	- - - -	- - - -	- - - -
R-A R1.20-4 1	H-01798-RI II-CS-097RC-129-1-SW-1 RC-2005		1-ISI-CS-97 Pipe to Reducer	ISI AUG OWN PRE	- - - -	- - - -	- - - -	- - - -	- - - -	- - - -	- - - -
R-A R1.20-4 1	H-01799-RI II-CS-097RC-FW-339 RC-2005		1-ISI-CS-97 Pipe to Valve	ISI AUG OWN PRE	- - - -	- - - -	- - - -	- - - -	- - - -	- - - -	- - - -
R-A R1.20-4 1	H-01800-RI II-CS-097RC-FW-340 RC-2005		1-ISI-CS-97 Nozzle to Pipe	ISI AUG OWN PRE	- - - -	- - - -	- - - -	- - - -	- - - -	- - - -	- - - -
R-A R1.20-4 1	H-01803-RI II-CS-097RC-FW-343 RC-2005		1-ISI-CS-97 Pipe to Valve	ISI AUG OWN PRE	- - - -	- - - -	- - - -	- - - -	- - - -	- - - -	- - - -
R-A R1.20-4 1	H-01804-RI II-CS-097RC-FW-344 RC-2005		1-ISI-CS-97 Reducer to Coupling	ISI AUG OWN PRE	- - - -	- - - -	- - - -	- - - -	- - - -	- - - -	- - - -
R-A R1.20-4 1	H-01805-RI II-CS-097RC-SW-A3 RC-2005	ISI/UT/NDEP-0425	1-ISI-CS-97 Tee to Pipe	ISI AUG OWN PRE	- - - -	- - - -	- - - -	- - - -	- - - -	s - - -	- - - -
R-A R1.20-4 1	H-01806-RI II-CS-097RC-SW-A4 RC-2005	ISI/UT/NDEP-0425	1-ISI-CS-97 Pipe to Tee	ISI AUG OWN PRE	- - - -	- - - -	- - - -	- - - -	- - - -	s - - -	- - - -
R-A R1.20-4 1	H-01807-RI II-CS-097RC-SW-A5 RC-2005	ISI/UT/NDEP-0425	1-ISI-CS-97 Tee to Pipe	ISI AUG OWN PRE	- - - -	- - - -	- - - -	- - - -	- - - -	s - - -	- - - -

Harris Nuclear Plant 3rd Interval

Category, Item No., Class	Summary No./CompID/System	Scope Method Procedure	Dwg/ISO No. Desc.	Comp. Code Case	Period 1		Period 2			Period 3	
					RFO-14	RFO-15	RFO-16	RFO-17	RFO-18	RFO-19	RFO-20
R-A R1.20-4 2	H-01831-RI II-CS-106CS-SW-C3 CS-2060		1-ISI-CS-106 Pipe to Cap	ISI AUG OWN PRE	-	-	-	-	-	-	-
R-A R1.20-4 2	H-01832-RI II-CS-106CS-SW-C4 CS-2060		1-ISI-CS-106 Pipe to Cap	ISI AUG OWN PRE	-	-	-	-	-	-	-
R-A R1.20-4 2	H-01833-RI II-CS-106CS-SW-C5 CS-2060		1-ISI-CS-106 Pipe to Weldolet	ISI AUG OWN PRE	-	-	-	-	-	-	-
R-A R1.20-4 2	H-01834-RI II-CS-106CS-SW-C6 CS-2060		1-ISI-CS-106 Pipe to Weldolet	ISI AUG OWN PRE	-	-	-	-	-	-	-
R-A R1.20-4 2	H-01835-RI II-CS-106CS-SW-C7 CS-2060		1-ISI-CS-106 Pipe to Pipe	ISI AUG OWN PRE	-	-	-	-	-	-	-
R-A R1.20-4 1	H-01837-RI II-CS-106RC-131-1-SW-2 RC-2005		1-ISI-CS-106 Pipe to Pipe	ISI AUG OWN PRE	-	-	-	-	-	-	-
R-A R1.20-4 1	H-01838-RI II-CS-106RC-FW-345 RC-2005		1-ISI-CS-106 Pipe to Pipe	ISI AUG OWN PRE	-	-	-	-	-	-	-
R-A R1.20-4 1	H-01844-RI II-CS-107CS-593-2-SW-1 CS-2060		1-ISI-CS-107 Tee to Pipe	ISI AUG OWN PRE	-	-	-	-	-	-	-
R-A R1.20-4 1	H-01850-RI II-CS-107CS-FW-3110 CS-2060		1-ISI-CS-107 Valve to Pipe	ISI AUG OWN PRE	-	-	-	-	-	-	-

Harris Nuclear Plant 3rd Interval

Category, Item No., Class	Summary No./CompID/System	Scope Method Procedure	Dwg/ISO No. Desc.	Comp. Code Case	Period 1		Period 2			Period 3		
					RFO-14	RFO-15	RFO-16	RFO-17	RFO-18	RFO-19	RFO-20	
R-A R1.20-4 1	H-01852-RI II-CS-107CS-SW-A3 CS-2060		1-ISI-CS-107 Piping Bend to Flange	ISI AUG OWN PRE	-	-	-	-	-	-	-	-
R-A R1.20-4 1	H-01853-RI II-CS-107CS-SW-A5 CS-2060		1-ISI-CS-107 Pipe to Tee	ISI AUG OWN PRE	-	-	-	-	-	-	-	-
R-A R1.20-4 1	H-01854-RI II-CS-107CS-SW-A6 CS-2060		1-ISI-CS-107 Tee to Pipe	ISI AUG OWN PRE	-	-	-	-	-	-	-	-
R-A R1.20-4 1	H-01855-RI II-CS-107CS-SW-A7 CS-2060		1-ISI-CS-107 Tee to Reducing Coupling	ISI AUG OWN PRE	-	-	-	-	-	-	-	-
R-A R1.20-4 2	H-02019-RI II-CT-007CT-FW-31 CT-2070	ISI/UT/NDEP-0425	1-ISI-CT-7 Pipe to Piping Bend	ISI AUG OWN PRE	-	-	-	-	-	s	-	-
R-A R1.20-4 2	H-02021-RI II-CT-007CT-FW-32 CT-2070	ISI/UT/NDEP-0425	1-ISI-CT-7 Piping Bend to Valve	ISI AUG OWN PRE	-	-	-	-	-	s	-	-
R-A R1.20-4 2	H-02045-RI II-CT-007CT-FW-82 CT-2070		1-ISI-CT-7 Pipe to Pipe	ISI AUG OWN PRE	-	-	-	-	-	-	-	-
R-A R1.20-4 2	H-02048-RI II-CT-007CT-FW-83 CT-2070		1-ISI-CT-7 Pipe to Elbow	ISI AUG OWN PRE	-	-	-	-	-	-	-	-
R-A R1.20-4 2	H-02052-RI II-CT-007CT-FW-84 CT-2070		1-ISI-CT-7 Pipe to Elbow	ISI AUG OWN PRE	-	-	-	-	-	-	-	-

Harris Nuclear Plant 3rd Interval

Category, Item No., Class	Scope Method Procedure	Summary No./CompID/System	Dwg/ISO No. Desc.	Comp. Code Case	Period 1		Period 2			Period 3	
					RFO-14	RFO-15	RFO-16	RFO-17	RFO-18	RFO-19	RFO-20
R-A R1.20-4 2	H-02325-RI II-CT-008CT-SW-I3 CT-2070	1-ISI-CT-8 Reducer to Pipe	ISI AUG OWN PRE	- - - - - - - - - - - - - - - -	- - - - - - - - - - - - - - - -	- - - - - - - - - - - - - - - -	- - - - - - - - - - - - - - - -	- - - - - - - - - - - - - - - -	- - - - - - - - - - - - - - - -	- - - - - - - - - - - - - - - -	- - - - - - - - - - - - - - - -
R-A R1.20-4 1	H-02473-RI II-FMR-01RC-10-17-FW-2-1 RC-2005	1-ISI-RC-1 SG Safe-End to Nozzle	ISI AUG OWN PRE	- - - - - - - - - - - - - - - -	- - - - - - - - - - - - - - - -	- - - - - - - - - - - - - - - -	- - - - - - - - - - - - - - - -	- - - - - - - - - - - - - - - -	- - - - - - - - - - - - - - - -	- - - - - - - - - - - - - - - -	- - - - - - - - - - - - - - - -
R-A R1.20-4 1	H-02474-RI II-FMR-01RC-10-17-FW-3-1 RC-2005	1-ISI-RC-1 SG Nozzle to Safe-End	ISI AUG OWN PRE	- - - - - - - - - - - - - - - -	- - - - - - - - - - - - - - - -	- - - - - - - - - - - - - - - -	- - - - - - - - - - - - - - - -	- - - - - - - - - - - - - - - -	- - - - - - - - - - - - - - - -	- - - - - - - - - - - - - - - -	- - - - - - - - - - - - - - - -
R-A R1.20-4 1	H-02476-RI II-FMR-01RC-10-17-FW-5 RC-2005	1-ISI-RC-1 RCP Nozzle to Pipe	ISI AUG OWN PRE	- - - - - - - - - - - - - - - -	- - - - - - - - - - - - - - - -	- - - - - - - - - - - - - - - -	- - - - - - - - - - - - - - - -	- - - - - - - - - - - - - - - -	- - - - - - - - - - - - - - - -	- - - - - - - - - - - - - - - -	- - - - - - - - - - - - - - - -
R-A R1.20-4 1	H-02477-RI II-FMR-01RC-10-17-FW-6 RC-2005	1-ISI-RC-1 Elbow to Pipe	ISI AUG OWN PRE	- - - - - - - - - - - - - - - -	- - - - - - - - - - - - - - - -	- - - - - - - - - - - - - - - -	- - - - - - - - - - - - - - - -	- - - - - - - - - - - - - - - -	- - - - - - - - - - - - - - - -	- - - - - - - - - - - - - - - -	- - - - - - - - - - - - - - - -
R-A R1.20-4 1	H-02478-RI II-FMR-01RC-10-17-FW-7 RC-2005	1-ISI-RC-1 Elbow to Pipe	ISI AUG OWN PRE	- - - - - - - - - - - - - - - -	- - - - - - - - - - - - - - - -	- - - - - - - - - - - - - - - -	- - - - - - - - - - - - - - - -	- - - - - - - - - - - - - - - -	- - - - - - - - - - - - - - - -	- - - - - - - - - - - - - - - -	- - - - - - - - - - - - - - - -
R-A R1.20-4 1	H-02479-RI II-FMR-01RC-10-17-FW-8 RC-2005	1-ISI-RC-1 Elbow to RC Pump A Inlet	ISI AUG OWN PRE	- - - - - - - - - - - - - - - -	- - - - - - - - - - - - - - - -	- - - - - - - - - - - - - - - -	- - - - - - - - - - - - - - - -	- - - - - - - - - - - - - - - -	- - - - - - - - - - - - - - - -	- - - - - - - - - - - - - - - -	- - - - - - - - - - - - - - - -
R-A R1.20-4 1	H-02480-RI II-FMR-01RC-10-17-SW-L1 RC-2005	1-ISI-RC-1 Pipe to Reducing Elbow	ISI AUG OWN PRE	- - - - - - - - - - - - - - - -	- - - - - - - - - - - - - - - -	- - - - - - - - - - - - - - - -	- - - - - - - - - - - - - - - -	- - - - - - - - - - - - - - - -	- - - - - - - - - - - - - - - -	- - - - - - - - - - - - - - - -	- - - - - - - - - - - - - - - -
R-A R1.20-4 1	H-02481-RI II-FMR-01RC-10-17-SW-L2 RC-2005	1-ISI-RC-1 Pipe to Nozzle	ISI AUG OWN PRE	- - - - - - - - - - - - - - - -	- - - - - - - - - - - - - - - -	- - - - - - - - - - - - - - - -	- - - - - - - - - - - - - - - -	- - - - - - - - - - - - - - - -	- - - - - - - - - - - - - - - -	- - - - - - - - - - - - - - - -	- - - - - - - - - - - - - - - -

Harris Nuclear Plant 3rd Interval

Category, Item No., Class	Summary No./CompID/System	Scope Method Procedure	Dwg/ISO No. Desc.	Comp. Code Case	Period 1		Period 2			Period 3		
					RFO-14	RFO-15	RFO-16	RFO-17	RFO-18	RFO-19	RFO-20	
R-A R1.20-4 1	H-02492-RI II-FMR-01RC-10-17-SW-P5 RC-2005		1-ISI-RC-1 Pipe to Nozzle	ISI AUG OWN PRE	-	-	-	-	-	-	-	-
R-A R1.20-4 1	H-02493-RI II-FMR-01RC-10-17-SW-P6 RC-2005		1-ISI-RC-1 Pipe to Nozzle	ISI AUG OWN PRE	-	-	-	-	-	-	-	-
R-A R1.20-4 1	H-02494-RI II-FMR-01RC-10-17-SW-P7 RC-2005		1-ISI-RC-1 Pipe to Nozzle	ISI AUG OWN PRE	-	-	-	-	-	-	-	-
R-A R1.20-4 1	H-02495-RI II-FMR-01RC-1-FW-10 RC-2005		1-ISI-RC-1 SG Safe-End to Elbow	ISI AUG OWN PRE	-	-	-	-	-	-	-	-
R-A R1.20-4 1	H-02496-RI II-FMR-01RC-1-FW-9 RC-2005		1-ISI-RC-1 Pipe to SG Safe-End	ISI AUG OWN PRE	-	-	-	-	-	-	-	-
R-A R1.20-4 1	H-02498-RI II-FMR-01RC-5-1-1-SW-3 RC-2005		1-ISI-RC-1 Thermowell to Pipe	ISI AUG OWN PRE	-	-	-	-	-	-	-	-
R-A R1.20-4 1	H-02499-RI II-FMR-01RC-5-1-1-SW-4 RC-2005		1-ISI-RC-1 Thermowell to Pipe	ISI AUG OWN PRE	-	-	-	-	-	-	-	-
R-A R1.20-4 1	H-02500-RI II-FMR-01RC-5-1-1-SW-5 RC-2005		1-ISI-RC-1 Thermowell to Pipe	ISI AUG OWN PRE	-	-	-	-	-	-	-	-
R-A R1.20-4 1	H-02501-RI II-FMR-01RC-5-1-1-SW-6 RC-2005		1-ISI-RC-1 Thermowell to Pipe	ISI AUG OWN PRE	-	-	-	-	-	-	-	-

Harris Nuclear Plant 3rd Interval

Category, Item No., Class	Summary No./CompID/System	Scope Method Procedure	Dwg/ISO No. Desc.	Comp. Code Case	Period 1		Period 2			Period 3		
					RFO-14	RFO-15	RFO-16	RFO-17	RFO-18	RFO-19	RFO-20	
R-A R1.20-4 1	H-02565-RI II-FMR-02RC-10-18-SW-L7 RC-2005		1-ISI-RC-2 Pipe to Nozzle	ISI AUG OWN PRE	-	-	-	-	-	-	-	-
R-A R1.20-4 1	H-02566-RI II-FMR-02RC-2-FW-10 RC-2005	ISI/UT/NDEP-0425	1-ISI-RC-2 Safe-End to Elbow	ISI AUG OWN PRE	-	-	-	-	-	s	-	-
R-A R1.20-4 1	H-02567-RI II-FMR-02RC-2-FW-9 RC-2005	ISI/UT/NDEP-0425	1-ISI-RC-2 Elbow to Safe-End	ISI AUG OWN PRE	-	-	-	-	-	s	-	-
R-A R1.20-4 1	H-02568-RI II-FMR-02RC-5-2-1-SW-1 RC-2005		1-ISI-RC-2 Thermowell to Pipe	ISI AUG OWN PRE	-	-	-	-	-	-	-	-
R-A R1.20-4 1	H-02569-RI II-FMR-02RC-5-2-1-SW-2 RC-2005		1-ISI-RC-2 Thermowell to Pipe	ISI AUG OWN PRE	-	-	-	-	-	-	-	-
R-A R1.20-4 1	H-02570-RI II-FMR-02RC-5-2-1-SW-3 RC-2005		1-ISI-RC-2 Thermowell to Pipe	ISI AUG OWN PRE	-	-	-	-	-	-	-	-
R-A R1.20-4 1	H-02571 II-FMR-02RC-5-2-2-FW-4 RC-2005		1-ISI-RC-2 Socket to Cap	ISI AUG OWN PRE	-	-	-	-	-	-	-	-
R-A R1.20-4 1	H-02572-RI II-FMR-02RC-5-2-5-SW-1 RC-2005		1-ISI-RC-2 Thermowell to Pipe	ISI AUG OWN PRE	-	-	-	-	-	-	-	-
R-A R1.20-4 1	H-02573-RI II-FMR-02RC-5-2-5-SW-2 RC-2005		1-ISI-RC-2 Thermowell to Pipe	ISI AUG OWN PRE	-	-	-	-	-	-	-	-

Harris Nuclear Plant 3rd Interval

Category, Item No., Class	Summary No./CompID/System	Scope Method Procedure	Dwg/ISO No. Desc.	Comp. Code Case	Period 1		Period 2			Period 3									
					RFO-14	RFO-15	RFO-16	RFO-17	RFO-18	RFO-19	RFO-20								
R-A R1.20-4 1	H-02629-RI II-FMR-03RC-10-19-FW-5 RC-2005		1-ISI-RC-3 Nozzle to Pipe	ISI AUG OWN PRE	-	-	-	-	-	-	-	-	-	-	-	-	-	-	-
R-A R1.20-4 1	H-02630-RI II-FMR-03RC-10-19-FW-6 RC-2005		1-ISI-RC-3 Elbow to Pipe	ISI AUG OWN PRE	-	-	-	-	-	-	-	-	-	-	-	-	-	-	-
R-A R1.20-4 1	H-02631-RI II-FMR-03RC-10-19-FW-7 RC-2005		1-ISI-RC-3 Elbow to Pipe	ISI AUG OWN PRE	-	-	-	-	-	-	-	-	-	-	-	-	-	-	-
R-A R1.20-4 1	H-02632-RI II-FMR-03RC-10-19-FW-8 RC-2005		1-ISI-RC-3 Elbow to RC Pump C Inlet	ISI AUG OWN PRE	-	-	-	-	-	-	-	-	-	-	-	-	-	-	-
R-A R1.20-4 1	H-02633-RI II-FMR-03RC-10-19-SW-N1 RC-2005		1-ISI-RC-3 Pipe to Elbow	ISI AUG OWN PRE	-	-	-	-	-	-	-	-	-	-	-	-	-	-	-
R-A R1.20-4 1	H-02634-RI II-FMR-03RC-10-19-SW-N2 RC-2005		1-ISI-RC-3 Pipe to Nozzle	ISI AUG OWN PRE	-	-	-	-	-	-	-	-	-	-	-	-	-	-	-
R-A R1.20-4 1	H-02635-RI II-FMR-03RC-10-19-SW-N3 RC-2005		1-ISI-RC-3 Pipe to Nozzle	ISI AUG OWN PRE	-	-	-	-	-	-	-	-	-	-	-	-	-	-	-
R-A R1.20-4 1	H-02636-RI II-FMR-03RC-10-19-SW-N7 RC-2005		1-ISI-RC-3 Pipe to Thermowell	ISI AUG OWN PRE	-	-	-	-	-	-	-	-	-	-	-	-	-	-	-
R-A R1.20-4 1	H-02637-RI II-FMR-03RC-10-19-SW-O1 RC-2005		1-ISI-RC-3 Pipe to Elbow	ISI AUG OWN PRE	-	-	-	-	-	-	-	-	-	-	-	-	-	-	-

Harris Nuclear Plant 3rd Interval

Category, Item No., Class	Summary No./ComplID/System	Scope Method Procedure	Dwg/ISO No. Desc.	Comp. Code Case	Period 1		Period 2			Period 3	
					RFO-14	RFO-15	RFO-16	RFO-17	RFO-18	RFO-19	RFO-20
R-A R1.20-4 1	H-02638-RI II-FMR-03RC-10-19-SW-O2 RC-2005		1-ISI-RC-3 Pipe to Nozzle	ISI AUG OWN PRE	- - - -	- - - -	- - - -	- - - -	- - - -	- - - -	- - - -
R-A R1.20-4 1	H-02639-RI II-FMR-03RC-10-19-SW-O3 RC-2005		1-ISI-RC-3 Pipe to Pipe	ISI AUG OWN PRE	- - - -	- - - -	- - - -	- - - -	- - - -	- - - -	- - - -
R-A R1.20-4 1	H-02640-RI II-FMR-03RC-10-19-SW-O4 RC-2005		1-ISI-RC-3 Pipe to Nozzle	ISI AUG OWN PRE	- - - -	- - - -	- - - -	- - - -	- - - -	- - - -	- - - -
R-A R1.20-4 1	H-02641-RI II-FMR-03RC-10-19-SW-O5 RC-2005		1-ISI-RC-3 Pipe to Nozzle	ISI AUG OWN PRE	- - - -	- - - -	- - - -	- - - -	- - - -	- - - -	- - - -
R-A R1.20-4 1	H-02642-RI II-FMR-03RC-10-19-SW-P6 RC-2005		1-ISI-RC-3 Pipe to Elbow	ISI AUG OWN PRE	- - - -	- - - -	- - - -	- - - -	- - - -	- - - -	- - - -
R-A R1.20-4 1	H-02643-RI II-FMR-03RC-10-19-SW-P7 RC-2005		1-ISI-RC-3 Pipe to Nozzle	ISI AUG OWN PRE	- - - -	- - - -	- - - -	- - - -	- - - -	- - - -	- - - -
R-A R1.20-4 1	H-02644-RI II-FMR-03RC-10-19-SW-P8 RC-2005		1-ISI-RC-3 Pipe to Nozzle	ISI AUG OWN PRE	- - - -	- - - -	- - - -	- - - -	- - - -	- - - -	- - - -
R-A R1.20-4 1	H-02645-RI II-FMR-03RC-10-19-SW-Q5 RC-2005		1-ISI-RC-3 Pipe to Elbow	ISI AUG OWN PRE	- - - -	- - - -	- - - -	- - - -	- - - -	- - - -	- - - -
R-A R1.20-4 1	H-02646-RI II-FMR-03RC-3-FW-10 RC-2005		1-ISI-RC-3 Safe-End to Elbow	ISI AUG OWN PRE	- - - -	- - - -	- - - -	- - - -	- - - -	- - - -	- - - -

Harris Nuclear Plant 3rd Interval

Category, Item No., Class	Summary No./CompID/System	Scope Method Procedure	Dwg/ISO No. Desc.	Comp. Code Case	Period 1		Period 2			Period 3		
					RFO-14	RFO-15	RFO-16	RFO-17	RFO-18	RFO-19	RFO-20	
R-A R1.20-4 1	H-03023-RI II-RC-022RC-149-1-SW-1 RC-2005		1-ISI-RC-22 Pipe to Elbow	ISI AUG OWN PRE	-	-	-	-	-	-	-	-
R-A R1.20-4 1	H-03024-RI II-RC-022RC-149-1-SW-2 RC-2005	ISI/UT/NDEP-0425	1-ISI-RC-22 Piping Bend to Elbow	ISI AUG OWN PRE	-	s	-	-	-	-	-	-
R-A R1.20-4 1	H-03025-RI II-RC-022RC-149-1-SW-3 RC-2005		1-ISI-RC-22 Pipe to Elbow	ISI AUG OWN PRE	-	-	-	-	-	-	-	-
R-A R1.20-4 1	H-03026-RI II-RC-022RC-149-3-SW-1 RC-2005	ISI/UT/NDEP-0425	1-ISI-RC-22 Elbow to Pipe	ISI AUG OWN PRE	-	s	-	-	-	-	-	-
R-A R1.20-4 1	H-03027-RI II-RC-022RC-149-3-SW-2 RC-2005		1-ISI-RC-22 Tee, Reducing to Pipe	ISI AUG OWN PRE	-	-	-	-	-	-	-	-
R-A R1.20-4 1	H-03028-RI II-RC-022RC-149-3-SW-3 RC-2005		1-ISI-RC-22 Tee, Reducing to Pipe	ISI AUG OWN PRE	-	-	-	-	-	-	-	-
R-A R1.20-4 1	H-03029-RI II-RC-022RC-149-3-SW-4 RC-2005		1-ISI-RC-22 Pipe to Reducing Tee	ISI AUG OWN PRE	-	-	-	-	-	-	-	-
R-A R1.20-4 1	H-03030-RI II-RC-022RC-149-3-SW-5 RC-2005		1-ISI-RC-22 Tee, Reducing to Pipe	ISI AUG OWN PRE	-	-	-	-	-	-	-	-
R-A R1.20-4 1	H-03032-RI II-RC-022RC-149-3-SW-7 RC-2005		1-ISI-RC-22 Pipe to Reducing Tee	ISI AUG OWN PRE	-	-	-	-	-	-	-	-

Harris Nuclear Plant 3rd Interval

Category, Item No., Class	Summary No./CompID/System	Scope Method Procedure	Dwg/ISO No. Desc.	Comp. Code Case	Period 1		Period 2			Period 3	
					RFO-14	RFO-15	RFO-16	RFO-17	RFO-18	RFO-19	RFO-20
R-A R1.20-4 1	H-03033-RI II-RC-022RC-149-3-SW-8 RC-2005	ISI/UT/NDEP-0425	1-ISI-RC-22 Pipe to Elbow	ISI AUG OWN PRE	-	s	-	-	-	-	-
R-A R1.20-4 1	H-03034-RI II-RC-022RC-149-3-SW-9 RC-2005		1-ISI-RC-22 Pipe to Elbow	ISI AUG OWN PRE	-	-	-	-	-	-	-
R-A R1.20-4 1	H-03035-RI II-RC-022RC-FW-456 RC-2005		1-ISI-RC-22 Safe End Extension to Piping Bend	ISI AUG OWN PRE	-	-	-	-	-	-	-
R-A R1.20-4 1	H-03036-RI II-RC-022RC-FW-457 RC-2005		1-ISI-RC-22 Elbow to Pipe	ISI AUG OWN PRE	-	-	-	-	-	-	-
R-A R1.20-4 1	H-03037-RI II-RC-022RC-FW-458 RC-2005		1-ISI-RC-22 Pipe to Elbow	ISI AUG OWN PRE	-	-	-	-	-	-	-
R-A R1.20-4 1	H-03038-RI II-RC-022RC-FW-459 RC-2005		1-ISI-RC-22 Pipe to Valve	ISI AUG OWN PRE	-	-	-	-	-	-	-
R-A R1.20-4 1	H-03039-RI II-RC-022RC-FW-460 RC-2005		1-ISI-RC-22 Valve to Pipe	ISI AUG OWN PRE	-	-	-	-	-	-	-
R-A R1.20-4 1	H-03040-RI II-RC-022RC-FW-461 RC-2005		1-ISI-RC-22 Pipe to Valve	ISI AUG OWN PRE	-	-	-	-	-	-	-
R-A R1.20-4 1	H-03041-RI II-RC-022RC-FW-463 RC-2005		1-ISI-RC-22 Pipe to Valve	ISI AUG OWN PRE	-	-	-	-	-	-	-

Harris Nuclear Plant 3rd Interval

Category, Item No., Class	Summary No./CompID/System	Scope Method Procedure	Dwg/ISO No. Desc.	Comp. Code Case	Period 1		Period 2			Period 3	
					RFO-14	RFO-15	RFO-16	RFO-17	RFO-18	RFO-19	RFO-20
R-A R1.20-4 1	H-03051-RI II-RC-022RC-SW-B5 RC-2005	ISI/UT/NDEP-0425	1-ISI-RC-22 Pipe to Elbow	ISI AUG OWN PRE	- s - -	- - - -	- - - -	- - - -	- - - -	- - - -	- - - -
R-A R1.20-4 1	H-03052-RI II-RC-022RC-SW-B6 RC-2005	ISI/UT/NDEP-0425	1-ISI-RC-22 Elbow to Pipe	ISI AUG OWN PRE	- s - -	- - - -	- - - -	- - - -	- - - -	- - - -	- - - -
R-A R1.20-4 1	H-03053-RI II-RC-022RC-SW-C10 RC-2005	ISI/UT/NDEP-0425	1-ISI-RC-22 Pipe to Elbow	ISI AUG OWN PRE	- s - -	- - - -	- - - -	- - - -	- - - -	- - - -	- - - -
R-A R1.20-4 1	H-03054-RI II-RC-022RC-SW-C11 RC-2005	ISI/UT/NDEP-0425	1-ISI-RC-22 Elbow to Pipe	ISI AUG OWN PRE	- s - -	- - - -	- - - -	- - - -	- - - -	- - - -	- - - -
R-A R1.20-4 1	H-03055-RI II-RC-022RC-SW-C12 RC-2005	ISI/UT/NDEP-0425	1-ISI-RC-22 Pipe to Elbow	ISI AUG OWN PRE	- s - -	- - - -	- - - -	- - - -	- - - -	- - - -	- - - -
R-A R1.20-4 1	H-03057-RI II-RC-022RC-SW-C19 RC-2005	ISI/UT/NDEP-0425	1-ISI-RC-22 Elbow to Pipe	ISI AUG OWN PRE	- s - -	- - - -	- - - -	- - - -	- - - -	- - - -	- - - -
R-A R1.20-4 1	H-03058-RI II-RC-022RC-SW-C3 RC-2005		1-ISI-RC-22 Elbow to Pipe	ISI AUG OWN PRE	- - - -	- - - -	- - - -	- - - -	- - - -	- - - -	- - - -
R-A R1.20-4 1	H-03059-RI II-RC-022RC-SW-C8 RC-2005	ISI/UT/NDEP-0425	1-ISI-RC-22 Pipe to Reducer	ISI AUG OWN PRE	- s - -	- - - -	- - - -	- - - -	- - - -	- - - -	- - - -
R-A R1.20-4 1	H-03060-RI II-RC-022RC-SW-C9 RC-2005		1-ISI-RC-22 Reducer to Pipe	ISI AUG OWN PRE	- - - -	- - - -	- - - -	- - - -	- - - -	- - - -	- - - -

Harris Nuclear Plant 3rd Interval

Category, Item No., Class	Summary No./CompID/System	Scope Method Procedure	Dwg/ISO No. Desc.	Comp. Code Case	Period 1		Period 2			Period 3									
					RFO-14	RFO-15	RFO-16	RFO-17	RFO-18	RFO-19	RFO-20								
R-A R1.20-4 1	H-03061-RI II-RC-023RC-92-2-SW-1 RC-2005		1-ISI-RC-23 S02 Pipe to Reducing Tee	ISI AUG OWN PRE	-	-	-	-	-	-	-	-	-	-	-	-	-	-	-
R-A R1.20-4 1	H-03062-RI II-RC-023RC-92-3-SW-2 RC-2005		1-ISI-RC-23 S01 Pipe to Coupling	ISI AUG OWN PRE	-	-	-	-	-	-	-	-	-	-	-	-	-	-	-
R-A R1.20-4 1	H-03063-RI II-RC-023RC-FW-322 RC-2005		1-ISI-RC-23 S02 Pipe to Valve	ISI AUG OWN PRE	-	-	-	-	-	-	-	-	-	-	-	-	-	-	-
R-A R1.20-4 1	H-03064-RI II-RC-023RC-FW-323 RC-2005		1-ISI-RC-23 S02 Valve to Pipe	ISI AUG OWN PRE	-	-	-	-	-	-	-	-	-	-	-	-	-	-	-
R-A R1.20-4 1	H-03065-RI II-RC-023RC-FW-324 RC-2005		1-ISI-RC-23 S01 Pipe to Elbow	ISI AUG OWN PRE	-	-	-	-	-	-	-	-	-	-	-	-	-	-	-
R-A R1.20-4 1	H-03066-RI II-RC-023RC-FW-325 RC-2005		1-ISI-RC-23 S01 Valve to Pipe	ISI AUG OWN PRE	-	-	-	-	-	-	-	-	-	-	-	-	-	-	-
R-A R1.20-4 1	H-03067-RI II-RC-023RC-FW-326 RC-2005		1-ISI-RC-23 S01 Pipe to Valve	ISI AUG OWN PRE	-	-	-	-	-	-	-	-	-	-	-	-	-	-	-
R-A R1.20-4 1	H-03068-RI II-RC-023RC-FW-327 RC-2005		1-ISI-RC-23 S01 Tee to Pipe	ISI AUG OWN PRE	-	-	-	-	-	-	-	-	-	-	-	-	-	-	-
R-A R1.20-4 1	H-03072-RI II-RC-023RC-SW-B3 RC-2005		1-ISI-RC-23 S01 Elbow to Pipe	ISI AUG OWN PRE	-	-	-	-	-	-	-	-	-	-	-	-	-	-	-

Harris Nuclear Plant 3rd Interval

Category, Item No., Class	Summary No./CompID/System	Scope Method Procedure	Dwg/ISO No. Desc.	Comp. Code Case	Period 1		Period 2			Period 3	
					RFO-14	RFO-15	RFO-16	RFO-17	RFO-18	RFO-19	RFO-20
R-A R1.20-4 1	H-03073-RI II-RC-023RC-SW-B4 RC-2005		1-ISI-RC-23 S01 Pipe to Tee	ISI AUG OWN PRE	-	-	-	-	-	-	-
R-A R1.20-4 1	H-03074-RI II-RC-023RC-SW-B5 RC-2005		1-ISI-RC-23 S01 Tee to Pipe	ISI AUG OWN PRE	-	-	-	-	-	-	-
R-A R1.20-4 1	H-03075-RI II-RC-023RC-SW-B6 RC-2005		1-ISI-RC-23 S01 Pipe to Reducer	ISI AUG OWN PRE	-	-	-	-	-	-	-
R-A R1.20-4 1	H-03076-RI II-RC-023RC-SW-B7 RC-2005		1-ISI-RC-23 S01 Reducer to Pipe	ISI AUG OWN PRE	-	-	-	-	-	-	-
R-A R1.20-4 1	H-03077-RI II-RC-023RC-SW-C11 RC-2005		1-ISI-RC-23 S02 Elbow to Pipe	ISI AUG OWN PRE	-	-	-	-	-	-	-
R-A R1.20-4 1	H-03078-RI II-RC-023RC-SW-C12 RC-2005		1-ISI-RC-23 S02 Pipe to Elbow	ISI AUG OWN PRE	-	-	-	-	-	-	-
R-A R1.20-4 1	H-03079-RI II-RC-023RC-SW-C13 RC-2005		1-ISI-RC-23 S02 Tee, Reducing to Pipe	ISI AUG OWN PRE	-	-	-	-	-	-	-
R-A R1.20-4 1	H-03080-RI II-RC-023RC-SW-C3 RC-2005		1-ISI-RC-23 S02 Pipe to Elbow	ISI AUG OWN PRE	-	-	-	-	-	-	-
R-A R1.20-4 1	H-03081-RI II-RC-023RC-SW-C4 RC-2005		1-ISI-RC-23 S02 Elbow to Pipe	ISI AUG OWN PRE	-	-	-	-	-	-	-

Harris Nuclear Plant 3rd Interval

Category, Item No., Class	Summary No./CompID/System	Scope Method Procedure	Dwg/ISO No. Desc.	Comp. Code Case	Period 1		Period 2			Period 3									
					RFO-14	RFO-15	RFO-16	RFO-17	RFO-18	RFO-19	RFO-20								
R-A R1.20-4 1	H-03091-RI II-RC-023RC-SW-D14 RC-2005		1-ISI-RC-23 S01 Reducer to Pipe	ISI AUG OWN PRE	-	-	-	-	-	-	-	-	-	-	-	-	-	-	-
R-A R1.20-4 1	H-03092-RI II-RC-023RC-SW-D3 RC-2005		1-ISI-RC-23 S01 Pipe to Pipe	ISI AUG OWN PRE	-	-	-	-	-	-	-	-	-	-	-	-	-	-	-
R-A R1.20-4 1	H-03093-RI II-RC-023RC-SW-D4 RC-2005		1-ISI-RC-23 S01 Pipe to Elbow	ISI AUG OWN PRE	-	-	-	-	-	-	-	-	-	-	-	-	-	-	-
R-A R1.20-4 1	H-03094-RI II-RC-023RC-SW-D5 RC-2005		1-ISI-RC-23 S01 Elbow to Pipe	ISI AUG OWN PRE	-	-	-	-	-	-	-	-	-	-	-	-	-	-	-
R-A R1.20-4 1	H-03095-RI II-RC-023RC-SW-D6 RC-2005		1-ISI-RC-23 S01 Pipe to Elbow	ISI AUG OWN PRE	-	-	-	-	-	-	-	-	-	-	-	-	-	-	-
R-A R1.20-4 1	H-03096-RI II-RC-023RC-SW-D7 RC-2005		1-ISI-RC-23 S01 Elbow to Pipe	ISI AUG OWN PRE	-	-	-	-	-	-	-	-	-	-	-	-	-	-	-
R-A R1.20-4 1	H-03097-RI II-RC-023RC-SW-D8 RC-2005		1-ISI-RC-23 S01 Pipe to Tee	ISI AUG OWN PRE	-	-	-	-	-	-	-	-	-	-	-	-	-	-	-
R-A R1.20-4 1	H-03098-RI II-RC-023RC-SW-D9 RC-2005		1-ISI-RC-23 S01 Tee to Pipe	ISI AUG OWN PRE	-	-	-	-	-	-	-	-	-	-	-	-	-	-	-
R-A R1.20-4 1	H-03099-RI II-RC-023RC-SW-E10 RC-2005		1-ISI-RC-23 S02 Elbow to Pipe	ISI AUG OWN PRE	-	-	-	-	-	-	-	-	-	-	-	-	-	-	-

Harris Nuclear Plant 3rd Interval

Category, Item No., Class	Summary No./ComplID/System	Scope Method Procedure	Dwg/ISO No. Desc.	Comp. Code Case	Period 1		Period 2			Period 3									
					RFO-14	RFO-15	RFO-16	RFO-17	RFO-18	RFO-19	RFO-20								
R-A R1.20-4 1	H-03100-RI II-RC-023RC-SW-E11 RC-2005		1-ISI-RC-23 S02 Pipe to Tee	ISI AUG OWN PRE	-	-	-	-	-	-	-	-	-	-	-	-	-	-	-
R-A R1.20-4 1	H-03101-RI II-RC-023RC-SW-E12 RC-2005		1-ISI-RC-23 S02 Pipe to Pipe	ISI AUG OWN PRE	-	-	-	-	-	-	-	-	-	-	-	-	-	-	-
R-A R1.20-4 1	H-03102-RI II-RC-023RC-SW-E4 RC-2005		1-ISI-RC-23 S02 Pipe to Coupling	ISI AUG OWN PRE	-	-	-	-	-	-	-	-	-	-	-	-	-	-	-
R-A R1.20-4 1	H-03103-RI II-RC-023RC-SW-E5 RC-2005		1-ISI-RC-23 S02 Reducer to Pipe	ISI AUG OWN PRE	-	-	-	-	-	-	-	-	-	-	-	-	-	-	-
R-A R1.20-4 1	H-03104-RI II-RC-023RC-SW-E6 RC-2005		1-ISI-RC-23 S02 Pipe to Reducer	ISI AUG OWN PRE	-	-	-	-	-	-	-	-	-	-	-	-	-	-	-
R-A R1.20-4 1	H-03105-RI II-RC-023RC-SW-E7 RC-2005		1-ISI-RC-23 S02 Tee to Pipe	ISI AUG OWN PRE	-	-	-	-	-	-	-	-	-	-	-	-	-	-	-
R-A R1.20-4 1	H-03106-RI II-RC-023RC-SW-E8 RC-2005		1-ISI-RC-23 S02 Tee to Pipe	ISI AUG OWN PRE	-	-	-	-	-	-	-	-	-	-	-	-	-	-	-
R-A R1.20-4 1	H-03107-RI II-RC-023RC-SW-E9 RC-2005		1-ISI-RC-23 S02 Pipe to Elbow	ISI AUG OWN PRE	-	-	-	-	-	-	-	-	-	-	-	-	-	-	-
R-A R1.20-4 1	H-03108-RI II-RC-024RC-FW-318 RC-2005		1-ISI-RC-24 Tee to Pipe	ISI AUG OWN PRE	-	-	-	-	-	-	-	-	-	-	-	-	-	-	-

Harris Nuclear Plant 3rd Interval

Category, Item No., Class	Summary No./ComplID/System	Scope Method Procedure	Dwg/ISO No. Desc.	Comp. Code Case	Period 1		Period 2			Period 3	
					RFO-14	RFO-15	RFO-16	RFO-17	RFO-18	RFO-19	RFO-20
R-A R1.20-4 1	H-03120-RI II-RC-024RC-SW-C3 RC-2005		1-ISI-RC-24 Pipe to Elbow	ISI AUG OWN PRE	- - - -	- - - -	- - - -	- - - -	- - - -	- - - -	- - - -
R-A R1.20-4 1	H-03121-RI II-RC-024RC-SW-C7 RC-2005		1-ISI-RC-24 Pipe to Pipe	ISI AUG OWN PRE	- - - -	- - - -	- - - -	- - - -	- - - -	- - - -	- - - -
R-A R1.20-4 1	H-03122-RI II-RC-024RC-SW-C8 RC-2005		1-ISI-RC-24 Pipe to Pipe	ISI AUG OWN PRE	- - - -	- - - -	- - - -	- - - -	- - - -	- - - -	- - - -
R-A R1.20-4 1	H-03123-RI II-RC-025RC-76-1-SW-1 RC-2005		1-ISI-RC-25 Pipe to Elbow	ISI AUG OWN PRE	- - - -	- - - -	- - - -	- - - -	- - - -	- - - -	- - - -
R-A R1.20-4 1	H-03124-RI II-RC-025RC-FW-331 RC-2005		1-ISI-RC-25 Nozzle to Pipe	ISI AUG OWN PRE	- - - -	- - - -	- - - -	- - - -	- - - -	- - - -	- - - -
R-A R1.20-4 1	H-03125-RI II-RC-025RC-FW-332 RC-2005		1-ISI-RC-25 Elbow to Pipe	ISI AUG OWN PRE	- - - -	- - - -	- - - -	- - - -	- - - -	- - - -	- - - -
R-A R1.20-4 1	H-03126-RI II-RC-025RC-FW-333 RC-2005		1-ISI-RC-25 Elbow to Pipe	ISI AUG OWN PRE	- - - -	- - - -	- - - -	- - - -	- - - -	- - - -	- - - -
R-A R1.20-4 1	H-03127 II-RC-025RC-SW-A3 RC-2005		1-ISI-RC-25 Pipe to Elbow	ISI AUG OWN PRE	- - - -	- - - -	- - - -	- - - -	- - - -	- - - -	- - - -
R-A R1.20-4 1	H-03129-RI II-RC-025RC-SW-A5 RC-2005		1-ISI-RC-25 Pipe to Elbow	ISI AUG OWN PRE	- - - -	- - - -	- - - -	- - - -	- - - -	- - - -	- - - -

Harris Nuclear Plant 3rd Interval

Category, Item No., Class	Summary No./CompID/System	Scope Method Procedure	Dwg/ISO No. Desc.	Comp. Code Case	Period 1		Period 2			Period 3		
					RFO-14	RFO-15	RFO-16	RFO-17	RFO-18	RFO-19	RFO-20	
R-A R1.20-4 1	H-03157-RI II-RC-027RC-SW-B4 RC-2005		1-ISI-RC-27 Piping Bend to Elbow	ISI AUG OWN PRE	-	-	-	-	-	-	-	-
R-A R1.20-4 1	H-03158-RI II-RC-027RC-SW-B5 RC-2005		1-ISI-RC-27 Elbow to Pipe	ISI AUG OWN PRE	-	-	-	-	-	-	-	-
R-A R1.20-4 1	H-03160-RI II-RC-027RC-SW-B7 RC-2005		1-ISI-RC-27 Elbow to Pipe	ISI AUG OWN PRE	-	-	-	-	-	-	-	-
R-A R1.20-4 1	H-03161-RI II-RC-027RC-SW-B8 RC-2005		1-ISI-RC-27 Pipe to Elbow	ISI AUG OWN PRE	-	-	-	-	-	-	-	-
R-A R1.20-4 1	H-03162-RI II-RC-027RC-SW-B9 RC-2005		1-ISI-RC-27 Elbow to Pipe	ISI AUG OWN PRE	-	-	-	-	-	-	-	-
R-A R1.20-4 1	H-03163-RI II-RC-027RC-SW-C10 RC-2005		1-ISI-RC-27 Elbow to Pipe	ISI AUG OWN PRE	-	-	-	-	-	-	-	-
R-A R1.20-4 1	H-03164-RI II-RC-027RC-SW-C11 RC-2005		1-ISI-RC-27 Piping Bend to Elbow	ISI AUG OWN PRE	-	-	-	-	-	-	-	-
R-A R1.20-4 1	H-03165-RI II-RC-027RC-SW-C3 RC-2005		1-ISI-RC-27 Pipe to Flange	ISI AUG OWN PRE	-	-	-	-	-	-	-	-
R-A R1.20-4 1	H-03166-RI II-RC-027RC-SW-C4 RC-2005		1-ISI-RC-27 Elbow to Pipe	ISI AUG OWN PRE	-	-	-	-	-	-	-	-

Harris Nuclear Plant 3rd Interval

Category, Item No., Class	Summary No./CompID/System	Scope Method Procedure	Dwg/ISO No. Desc.	Comp. Code Case	Period 1		Period 2			Period 3	
					RFO-14	RFO-15	RFO-16	RFO-17	RFO-18	RFO-19	RFO-20
R-A R1.20-4 1	H-03167-RI II-RC-027RC-SW-C5 RC-2005		1-ISI-RC-27 Pipe to Elbow	ISI AUG OWN PRE	-	-	-	-	-	-	-
R-A R1.20-4 1	H-03168-RI II-RC-027RC-SW-C6 RC-2005		1-ISI-RC-27 Elbow to Pipe	ISI AUG OWN PRE	-	-	-	-	-	-	-
R-A R1.20-4 1	H-03169-RI II-RC-027RC-SW-C7 RC-2005		1-ISI-RC-27 Pipe to Elbow	ISI AUG OWN PRE	-	-	-	-	-	-	-
R-A R1.20-4 1	H-03170-RI II-RC-027RC-SW-C8 RC-2005		1-ISI-RC-27 Elbow to Pipe	ISI AUG OWN PRE	-	-	-	-	-	-	-
R-A R1.20-4 1	H-03171-RI II-RC-027RC-SW-C9 RC-2005		1-ISI-RC-27 Pipe to Elbow	ISI AUG OWN PRE	-	-	-	-	-	-	-
R-A R1.20-4 1	H-03654-RI II-RH-009RC-FW-291 RC-2005		1-ISI-RH-9 Pipe to Valve	ISI AUG OWN PRE	-	-	-	-	-	-	-
R-A R1.20-4 1	H-03655-RI II-RH-009RC-FW-292 RC-2005		1-ISI-RH-9 Nozzle to Pipe	ISI AUG OWN PRE	-	-	-	-	-	-	-
R-A R1.20-4 1	H-03656-RI II-RH-009RC-SW-A3 RC-2005	ISI/UT/NDEP-0425	1-ISI-RH-9 Pipe to Elbow	ISI AUG OWN PRE	-	-	-	s	-	-	-
R-A R1.20-4 1	H-03657-RI II-RH-009RC-SW-A4 RC-2005	ISI/UT/NDEP-0425	1-ISI-RH-9 Elbow to Pipe	ISI AUG OWN PRE	-	-	-	s	-	-	-

Harris Nuclear Plant 3rd Interval

Category, Item No., Class	Summary No./ComplID/System	Scope Method Procedure	Dwg/ISO No. Desc.	Comp. Code Case	Period 1		Period 2			Period 3	
					RFO-14	RFO-15	RFO-16	RFO-17	RFO-18	RFO-19	RFO-20
R-A R1.20-4 1	H-03658-RI II-RH-009RC-SW-A5 RC-2005	ISI/UT/NDEP-0425	1-ISI-RH-9 Pipe to Elbow	ISI AUG OWN PRE	-	-	s	-	-	-	-
R-A R1.20-4 1	H-03659-RI II-RH-009RC-SW-A6 RC-2005	ISI/UT/NDEP-0425	1-ISI-RH-9 Elbow to Pipe	ISI AUG OWN PRE	-	-	s	-	-	-	-
R-A R1.20-4 1	H-03683-RI II-RH-010RC-FW-289 RC-2005		1-ISI-RH-10 Nozzle to Pipe	ISI AUG OWN PRE	-	-	-	-	-	-	-
R-A R1.20-4 1	H-03684-RI II-RH-010RC-FW-290 RC-2005		1-ISI-RH-10 Pipe to Valve	ISI AUG OWN PRE	-	-	-	-	-	-	-
R-A R1.20-4 1	H-03685-RI II-RH-010RC-SW-A3 RC-2005	ISI/UT/NDEP-0425	1-ISI-RH-10 Elbow to Pipe	ISI AUG OWN PRE	-	-	s	-	-	-	-
R-A R1.20-4 1	H-03686-RI II-RH-010RC-SW-A4 RC-2005	ISI/UT/NDEP-0425	1-ISI-RH-10 Pipe to Elbow	ISI AUG OWN PRE	-	-	s	-	-	-	-
R-A R1.20-4 1	H-03687-RI II-RH-010RC-SW-A5 RC-2005		1-ISI-RH-10 Elbow to Pipe	ISI AUG OWN PRE	-	-	-	-	-	-	-
R-A R1.20-4 1	H-03688-RI II-RH-010RC-SW-A6 RC-2005		1-ISI-RH-10 Pipe to Elbow	ISI AUG OWN PRE	-	-	-	-	-	-	-
R-A R1.20-4 1	H-03806-RI II-RV-001RVNOZAI-N-01SE RC-1005	ISI/UT/NDEP-0437 AUG/VT/NDEP-0612	1-ISI-RC-1 Loop "A" Cold Leg Elbow to RV Nozzle	ISI AUG OWN PRE	-	-	-	b	s	-	s

Harris Nuclear Plant 3rd Interval

Category, Item No., Class	Summary No./CompID/System	Scope Method Procedure	Dwg/ISO No. Desc.	Comp. Code Case	Period 1		Period 2			Period 3	
					RFO-14	RFO-15	RFO-16	RFO-17	RFO-18	RFO-19	RFO-20
R-A R1.20-4 2	H-04005-RI II-SI-008RH-SW-L4 SI-2085		1-ISI-SI-8 Pipe to Elbow	ISI AUG OWN PRE	-	-	-	-	-	-	-
R-A R1.20-4 2	H-04007-RI II-SI-008RH-SW-L5 SI-2085		1-ISI-SI-8 Flange to Pipe	ISI AUG OWN PRE	-	-	-	-	-	-	-
R-A R1.20-4 2	H-04009-RI II-SI-008RH-SW-M3 RH-2085		1-ISI-SI-8 Pipe to Flange	ISI AUG OWN PRE	-	-	-	-	-	-	-
R-A R1.20-4 2	H-04011-RI II-SI-008RH-SW-M6 RH-2085		1-ISI-SI-8 Pipe to Pipe	ISI AUG OWN PRE	-	-	-	-	-	-	-
R-A R1.20-4 2	H-04014-RI II-SI-008SI-96-1-SW-1 SI-2085		1-ISI-SI-8 Pipe to Pipe	ISI AUG OWN PRE	-	-	-	-	-	-	-
R-A R1.20-4 2	H-04017-RI II-SI-008SI-FW-446 SI-2085		1-ISI-SI-8 Pipe to Tee	ISI AUG OWN PRE	-	-	-	-	-	-	-
R-A R1.20-4 2	H-04019-RI II-SI-008SI-FW-449 SI-2085	ISI/UT/NDEP-0425	1-ISI-SI-8 Pipe to Flued Head	ISI AUG OWN PRE	-	s	-	-	-	-	-
R-A R1.20-4 2	H-04020-RI II-SI-008SI-FW-450 SI-2085	ISI/UT/NDEP-0425	1-ISI-SI-8 Valve to Pipe	ISI AUG OWN PRE	-	s	-	-	-	-	-
R-A R1.20-4 2	H-04021-RI II-SI-008SI-FW-451 SI-2085		1-ISI-SI-8 Pipe to Valve	ISI AUG OWN PRE	-	-	-	-	-	-	-

Harris Nuclear Plant 3rd Interval

Category, Item No., Class	Summary No./CompID/System	Scope Method Procedure	Dwg/ISO No. Desc.	Comp. Code Case	Period 1		Period 2			Period 3	
					RFO-14	RFO-15	RFO-16	RFO-17	RFO-18	RFO-19	RFO-20
R-A R1.20-4 2	H-04037-RI II-SI-008SI-FW-461 SI-2085		1-ISI-SI-8 Valve to Pipe	ISI AUG OWN PRE	- - - -	- - - -	- - - -	- - - -	- - - -	- - - -	- - - -
R-A R1.20-4 2	H-04039-RI II-SI-008SI-FW-462 SI-2085		1-ISI-SI-8 Pipe to Valve	ISI AUG OWN PRE	- - - -	- - - -	- - - -	- - - -	- - - -	- - - -	- - - -
R-A R1.20-4 2	H-04041-RI II-SI-008SI-SW-A3 SI-2085	ISI/UT/NDEP-0425	1-ISI-SI-8 Elbow to Pipe	ISI AUG OWN PRE	- s - -	- - - -	- - - -	- - - -	- - - -	- - - -	- - - -
R-A R1.20-4 2	H-04042-RI II-SI-008SI-SW-A4 SI-2085	ISI/UT/NDEP-0425	1-ISI-SI-8 Pipe to Elbow	ISI AUG OWN PRE	- s - -	- - - -	- - - -	- - - -	- - - -	- - - -	- - - -
R-A R1.20-4 2	H-04043-RI II-SI-008SI-SW-B3 SI-2085		1-ISI-SI-8 Pipe to Elbow	ISI AUG OWN PRE	- - - -	- - - -	- - - -	- - - -	- - - -	- - - -	- - - -
R-A R1.20-4 2	H-04045-RI II-SI-008SI-SW-B4 SI-2085		1-ISI-SI-8 Elbow to Pipe	ISI AUG OWN PRE	- - - -	- - - -	- - - -	- - - -	- - - -	- - - -	- - - -
R-A R1.20-4 2	H-04046-RI II-SI-008SI-SW-C3 SI-2085		1-ISI-SI-8 Pipe to Elbow	ISI AUG OWN PRE	- - - -	- - - -	- - - -	- - - -	- - - -	- - - -	- - - -
R-A R1.20-4 2	H-04048-RI II-SI-008SI-SW-C4 SI-2085		1-ISI-SI-8 Pipe to Pipe	ISI AUG OWN PRE	- - - -	- - - -	- - - -	- - - -	- - - -	- - - -	- - - -
R-A R1.20-4 2	H-04051-RI II-SI-008SI-SW-C5 SI-2085		1-ISI-SI-8 Tee to Pipe	ISI AUG OWN PRE	- - - -	- - - -	- - - -	- - - -	- - - -	- - - -	- - - -

Harris Nuclear Plant 3rd Interval

Category, Item No., Class	Summary No./CompID/System	Scope Method Procedure	Dwg/ISO No. Desc.	Comp. Code Case	Period 1		Period 2			Period 3	
					RFO-14	RFO-15	RFO-16	RFO-17	RFO-18	RFO-19	RFO-20
R-A R1.20-4 2	H-04131-RI II-SI-009SI-FW-280 SI-2085	ISI/UT/NDEP-0425	1-ISI-SI-9 Pipe to Flued Head	ISI AUG OWN PRE	- s - -	- - - -	- - - -	- - - -	- - - -	- - - -	- - - -
R-A R1.20-4 2	H-04132-RI II-SI-009SI-FW-281 SI-2085		1-ISI-SI-9 Pipe to Elbow	ISI AUG OWN PRE	- - - -	- - - -	- - - -	- - - -	- - - -	- - - -	- - - -
R-A R1.20-4 2	H-04134-RI II-SI-009SI-FW-282 SI-2085		1-ISI-SI-9 Elbow to Pipe	ISI AUG OWN PRE	- - - -	- - - -	- - - -	- - - -	- - - -	- - - -	- - - -
R-A R1.20-4 2	H-04136-RI II-SI-009SI-FW-283 SI-2085		1-ISI-SI-9 Elbow to Pipe	ISI AUG OWN PRE	- - - -	- - - -	- - - -	- - - -	- - - -	- - - -	- - - -
R-A R1.20-4 2	H-04139-RI II-SI-009SI-FW-447 SI-2085		1-ISI-SI-9 Pipe to Pipe	ISI AUG OWN PRE	- - - -	- - - -	- - - -	- - - -	- - - -	- - - -	- - - -
R-A R1.20-4 2	H-04142-RI II-SI-009SI-FW-448 SI-2085		1-ISI-SI-9 Pipe to Elbow	ISI AUG OWN PRE	- - - -	- - - -	- - - -	- - - -	- - - -	- - - -	- - - -
R-A R1.20-4 2	H-04144-RI II-SI-009SI-SW-B5 SI-2085	ISI/UT/NDEP-0425	1-ISI-SI-9 Elbow to Pipe	ISI AUG OWN PRE	- s - -	- - - -	- - - -	- - - -	- - - -	- - - -	- - - -
R-A R1.20-4 2	H-04145-RI II-SI-009SI-SW-B6 SI-2085	ISI/UT/NDEP-0425	1-ISI-SI-9 Pipe to Elbow	ISI AUG OWN PRE	- s - -	- - - -	- - - -	- - - -	- - - -	- - - -	- - - -
R-A R1.20-4 2	H-04147-RI II-SI-009SI-SW-B7 SI-2085	ISI/UT/NDEP-0425	1-ISI-SI-9 Pipe to Pipe	ISI AUG OWN PRE	- s - -	- - - -	- - - -	- - - -	- - - -	- - - -	- - - -

Harris Nuclear Plant 3rd Interval

Category, Item No., Class	Summary No./CompID/System	Scope Method Procedure	Dwg/ISO No. Desc.	Comp. Code Case	Period 1		Period 2			Period 3	
					RFO-14	RFO-15	RFO-16	RFO-17	RFO-18	RFO-19	RFO-20
R-A R1.20-4 2	H-04150-RI II-SI-009SI-SW-C8 SI-2085	ISI/UT/NDEP-0425	1-ISI-SI-9 Pipe to Pipe	ISI AUG OWN PRE	-	s	-	-	-	-	-
R-A R1.20-4 2	H-04153-RI II-SI-009SI-SW-C9 SI-2085		1-ISI-SI-9 Elbow to Pipe	ISI AUG OWN PRE	-	-	-	-	-	-	-
R-A R1.20-4 2	H-04155-RI II-SI-009SI-SW-D13 SI-2085		1-ISI-SI-9 Pipe to Pipe	ISI AUG OWN PRE	-	-	-	-	-	-	-
R-A R1.20-4 2	H-04158-RI II-SI-009SI-SW-D3 SI-2085		1-ISI-SI-9 Elbow to Pipe	ISI AUG OWN PRE	-	-	-	-	-	-	-
R-A R1.20-4 2	H-04160-RI II-SI-009SI-SW-D4 SI-2085		1-ISI-SI-9 Pipe to Elbow	ISI AUG OWN PRE	-	-	-	-	-	-	-
R-A R1.20-4 2	H-04162-RI II-SI-009SI-SW-D5 SI-2085		1-ISI-SI-9 Pipe to Pipe	ISI AUG OWN PRE	-	-	-	-	-	-	-
R-A R1.20-4 2	H-04165-RI II-SI-009SI-SW-D6 SI-2085		1-ISI-SI-9 Elbow to Pipe	ISI AUG OWN PRE	-	-	-	-	-	-	-
R-A R1.20-4 2	H-04167-RI II-SI-009SI-SW-D7 SI-2085		1-ISI-SI-9 Pipe to Elbow	ISI AUG OWN PRE	-	-	-	-	-	-	-
R-A R1.20-4 2	H-04169-RI II-SI-009SI-SW-E3 SI-2085		1-ISI-SI-9 Pipe to Reducing Tee	ISI AUG OWN PRE	-	-	-	-	-	-	-

Harris Nuclear Plant 3rd Interval

Category, Item No., Class	Summary No./CompID/System	Scope Method Procedure	Dwg/ISO No. Desc.	Comp. Code Case	Period 1		Period 2			Period 3									
					RFO-14	RFO-15	RFO-16	RFO-17	RFO-18	RFO-19	RFO-20								
R-A R1.20-4 2	H-04424-RI II-SI-019SI-SW-O3 SI-2080		1-ISI-SI-19 Pipe to Reducer	ISI AUG OWN PRE	-	-	-	-	-	-	-	-	-	-	-	-	-	-	-
R-A R1.20-4 2	H-04425-RI II-SI-019SI-SW-O4 SI-2080		1-ISI-SI-19 Tee to Pipe	ISI AUG OWN PRE	-	-	-	-	-	-	-	-	-	-	-	-	-	-	-
R-A R1.20-4 2	H-04426-RI II-SI-019SI-SW-O5 SI-2080		1-ISI-SI-19 Tee to Pipe	ISI AUG OWN PRE	-	-	-	-	-	-	-	-	-	-	-	-	-	-	-
R-A R1.20-4 2	H-04427-RI II-SI-019SI-SW-O6 SI-2080		1-ISI-SI-19 Pipe to Reducer	ISI AUG OWN PRE	-	-	-	-	-	-	-	-	-	-	-	-	-	-	-
R-A R1.20-4 2	H-04428-RI II-SI-019SI-SW-O7 SI-2080		1-ISI-SI-19 Reducer to Coupling	ISI AUG OWN PRE	-	-	-	-	-	-	-	-	-	-	-	-	-	-	-
R-A R1.20-4 2	H-04429-RI II-SI-019SI-SW-O8 SI-2080		1-ISI-SI-19 Reducer to Coupling	ISI AUG OWN PRE	-	-	-	-	-	-	-	-	-	-	-	-	-	-	-
R-A R1.20-4 2	H-04430-RI II-SI-020SI-131-1-SW-1 SI-2080		1-ISI-SI-20 Pipe to Elbow	ISI AUG OWN PRE	-	-	-	-	-	-	-	-	-	-	-	-	-	-	-
R-A R1.20-4 2	H-04431-RI II-SI-020SI-FW-367 SI-2080		1-ISI-SI-20 Coupling to Pipe	ISI AUG OWN PRE	-	-	-	-	-	-	-	-	-	-	-	-	-	-	-
R-A R1.20-4 2	H-04432-RI II-SI-020SI-FW-368 SI-2080		1-ISI-SI-20 Piping Bend to Coupling	ISI AUG OWN PRE	-	-	-	-	-	-	-	-	-	-	-	-	-	-	-

Harris Nuclear Plant 3rd Interval

Category, Item No., Class	Summary No./CompID/System	Scope Method Procedure	Dwg/ISO No. Desc.	Comp. Code Case	Period 1		Period 2			Period 3							
					RFO-14	RFO-15	RFO-16	RFO-17	RFO-18	RFO-19	RFO-20						
R-A R1.20-4 2	H-04625-RI II-SI-025SI-SW-D4 SI-2085	ISI/UT/NDEP-0425	1-ISI-SI-25 Elbow to Pipe	ISI AUG OWN PRE	-	-	-	-	-	s	-	-	-	-	-	-	-
R-A R1.20-4 2	H-04626-RI II-SI-025SI-SW-D5 SI-2085	ISI/UT/NDEP-0425	1-ISI-SI-25 Pipe to Elbow	ISI AUG OWN PRE	-	-	-	-	-	s	-	-	-	-	-	-	-
R-A R1.20-4 2	H-04627-RI II-SI-025SI-SW-D6 SI-2085	ISI/UT/NDEP-0425	1-ISI-SI-25 Elbow to Pipe	ISI AUG OWN PRE	-	-	-	-	-	s	-	-	-	-	-	-	-
R-A R1.20-4 2	H-04628-RI II-SI-025SI-SW-D7 SI-2085	ISI/UT/NDEP-0425	1-ISI-SI-25 Pipe to Elbow	ISI AUG OWN PRE	-	-	-	-	-	s	-	-	-	-	-	-	-
R-A R1.20-4 2	H-04629-RI II-SI-025SI-SW-D8 SI-2085	ISI/UT/NDEP-0425	1-ISI-SI-25 Elbow to Piping Bend	ISI AUG OWN PRE	-	-	-	-	-	s	-	-	-	-	-	-	-
R-A R1.20-4 2	H-04630-RI II-SI-025SI-SW-E3 SI-2085		1-ISI-SI-25 Piping Bend to Tee	ISI AUG OWN PRE	-	-	-	-	-	-	-	-	-	-	-	-	-
R-A R1.20-4 2	H-04631-RI II-SI-025SI-SW-E4 SI-2085		1-ISI-SI-25 Pipe to Tee	ISI AUG OWN PRE	-	-	-	-	-	-	-	-	-	-	-	-	-
R-A R1.20-4 2	H-04632-RI II-SI-025SI-SW-F3 SI-2085	ISI/UT/NDEP-0425	1-ISI-SI-25 Pipe to Elbow	ISI AUG OWN PRE	-	-	-	-	-	s	-	-	-	-	-	-	-
R-A R1.20-4 2	H-04633-RI II-SI-025SI-SW-F4 SI-2085	ISI/UT/NDEP-0425	1-ISI-SI-25 Elbow to Piping Bend	ISI AUG OWN PRE	-	-	-	-	-	s	-	-	-	-	-	-	-

Harris Nuclear Plant 3rd Interval

Category, Item No., Class	Summary No./CompID/System	Scope Method Procedure	Dwg/ISO No. Desc.	Comp. Code Case	Period 1		Period 2			Period 3									
					RFO-14	RFO-15	RFO-16	RFO-17	RFO-18	RFO-19	RFO-20								
R-A R1.20-4 2	H-04817-RI II-SI-029SI-SW-C3 SI-2080		1-ISI-SI-29 Pipe to Reducer	ISI AUG OWN PRE	-	-	-	-	-	-	-	-	-	-	-	-	-	-	-
R-A R1.20-4 2	H-04818-RI II-SI-029SI-SW-C4 SI-2080		1-ISI-SI-29 Tee to Pipe	ISI AUG OWN PRE	-	-	-	-	-	-	-	-	-	-	-	-	-	-	-
R-A R1.20-4 2	H-04819-RI II-SI-029SI-SW-C5 SI-2080		1-ISI-SI-29 Tee to Pipe	ISI AUG OWN PRE	-	-	-	-	-	-	-	-	-	-	-	-	-	-	-
R-A R1.20-4 2	H-04820-RI II-SI-029SI-SW-C6 SI-2080		1-ISI-SI-29 Pipe to Reducer	ISI AUG OWN PRE	-	-	-	-	-	-	-	-	-	-	-	-	-	-	-
R-A R1.20-4 2	H-04821-RI II-SI-029SI-SW-C7 SI-2080		1-ISI-SI-29 Pipe to Tee	ISI AUG OWN PRE	-	-	-	-	-	-	-	-	-	-	-	-	-	-	-
R-A R1.20-4 2	H-04822-RI II-SI-029SI-SW-C8 SI-2080		1-ISI-SI-29 Tee to Pipe	ISI AUG OWN PRE	-	-	-	-	-	-	-	-	-	-	-	-	-	-	-
R-A R1.20-4 2	H-04823-RI II-SI-029SI-SW-C9 SI-2080		1-ISI-SI-29 Tee to Pipe	ISI AUG OWN PRE	-	-	-	-	-	-	-	-	-	-	-	-	-	-	-
R-A R1.20-4 2	H-04824-RI II-SI-029SI-SW-D10 SI-2080		1-ISI-SI-29 Coupling to Piping Bend	ISI AUG OWN PRE	-	-	-	-	-	-	-	-	-	-	-	-	-	-	-
R-A R1.20-4 2	H-04825-RI II-SI-029SI-SW-E9 SI-2080		1-ISI-SI-29 Coupling to Piping Bend	ISI AUG OWN PRE	-	-	-	-	-	-	-	-	-	-	-	-	-	-	-

Harris Nuclear Plant 3rd Interval

Category, Item No., Class	Summary No./CompID/System	Scope Method Procedure	Dwg/ISO No. Desc.	Comp. Code Case	Period 1		Period 2			Period 3									
					RFO-14	RFO-15	RFO-16	RFO-17	RFO-18	RFO-19	RFO-20								
R-A R1.20-4 2	H-04835-RI II-SI-030SI-FW-813 SI-2080		1-ISI-SI-30 Pipe to Coupling	ISI AUG OWN PRE	-	-	-	-	-	-	-	-	-	-	-	-	-	-	-
R-A R1.20-4 2	H-04836-RI II-SI-030SI-FW-814 SI-2080		1-ISI-SI-30 Piping Bend to Coupling	ISI AUG OWN PRE	-	-	-	-	-	-	-	-	-	-	-	-	-	-	-
R-A R1.20-4 2	H-04837-RI II-SI-030SI-FW-815 SI-2080		1-ISI-SI-30 Piping Bend to Coupling	ISI AUG OWN PRE	-	-	-	-	-	-	-	-	-	-	-	-	-	-	-
R-A R1.20-4 2	H-04838-RI II-SI-030SI-FW-816 SI-2080		1-ISI-SI-30 Piping Bend to Valve	ISI AUG OWN PRE	-	-	-	-	-	-	-	-	-	-	-	-	-	-	-
R-A R1.20-4 2	H-04847-RI II-SI-030SI-SW-C3 SI-2080		1-ISI-SI-30 Flange to Pipe	ISI AUG OWN PRE	-	-	-	-	-	-	-	-	-	-	-	-	-	-	-
R-A R1.20-4 1	H-04848-RI II-SI-030SI-SW-D7 SI-2080		1-ISI-SI-30 Pipe to Flange	ISI AUG OWN PRE	-	-	-	-	-	-	-	-	-	-	-	-	-	-	-
R-A R1.20-4 2	H-04849-RI II-SI-030SI-SW-D8 SI-2080		1-ISI-SI-30 Coupling to Piping Bend	ISI AUG OWN PRE	-	-	-	-	-	-	-	-	-	-	-	-	-	-	-
R-A R1.20-4 2	H-04850-RI II-SI-030SI-SW-E9 SI-2080		1-ISI-SI-30 Coupling to Piping Bend	ISI AUG OWN PRE	-	-	-	-	-	-	-	-	-	-	-	-	-	-	-
R-A R1.20-4 2	H-04851-RI II-SI-030SI-SW-F10 SI-2080		1-ISI-SI-30 Coupling to Piping Bend	ISI AUG OWN PRE	-	-	-	-	-	-	-	-	-	-	-	-	-	-	-

Harris Nuclear Plant 3rd Interval

Category, Item No., Class	Summary No./CompID/System	Scope Method Procedure	Dwg/ISO No. Desc.	Comp. Code Case	Period 1		Period 2			Period 3		
					RFO-14	RFO-15	RFO-16	RFO-17	RFO-18	RFO-19	RFO-20	
R-A R1.20-4 2	H-04852-RI II-SI-030SI-SW-G9 SI-2080		1-ISI-SI-30 Coupling to Piping Bend	ISI AUG OWN PRE	-	-	-	-	-	-	-	-
R-A R1.20-4 2	H-04853-RI II-SI-030SI-SW-H10 SI-2080		1-ISI-SI-30 Coupling to Piping Bend	ISI AUG OWN PRE	-	-	-	-	-	-	-	-
R-A R1.20-4 2	H-04854-RI II-SI-030SI-SW-I11 SI-2080		1-ISI-SI-30 Coupling to Piping Bend	ISI AUG OWN PRE	-	-	-	-	-	-	-	-
R-A R1.20-4 2	H-04855-RI II-SI-030SI-SW-J12 SI-2080		1-ISI-SI-30 Coupling to Piping Bend	ISI AUG OWN PRE	-	-	-	-	-	-	-	-
R-A R1.20-4 2	H-04856-RI II-SI-030SI-SW-J18 SI-2080		1-ISI-SI-30 Piping Bend to Pipe	ISI AUG OWN PRE	-	-	-	-	-	-	-	-
R-A R1.20-4 1	H-06568-RI II-FW-MS-RC-01RC-1-FW-2-1 RC-2005		1-ISI-RC-1 Safe-End to Nozzle	ISI AUG OWN PRE	-	-	-	-	-	-	-	-
R-A R1.20-4 1	H-06569-RI II-FW-MS-RC-01RC-1-FW-3-1 RC-2005		1-ISI-RC-1 Nozzle to Safe-End	ISI AUG OWN PRE	-	-	-	-	-	-	-	-
R-A R1.20-4 1	H-06570-RI II-FW-MS-RC-01RC-2-FW-4 RC-2005		1-ISI-RC-1 Socket to Cap	ISI AUG OWN PRE	-	-	-	-	-	-	-	-
R-A R1.20-4 1	H-06571-RI II-FW-MS-RC-02RC-2-FW-2-1 RC-2005		1-ISI-RC-2 SG Safe-End to Nozzle	ISI AUG OWN PRE	-	-	-	-	-	-	-	-

Harris Nuclear Plant 3rd Interval

Category, Item No., Class	Summary No./CompID/System	Scope Method Procedure	Dwg/ISO No. Desc.	Comp. Code Case	Period 1		Period 2			Period 3	
					RFO-14	RFO-15	RFO-16	RFO-17	RFO-18	RFO-19	RFO-20
R-A	H-01147-RI		1-ISI-AF-7	ISI	-	-	-	-	-	-	-
R1.20-6	II-AF-007AF-FW-239		Valve to Pipe	AUG	-	-	-	-	-	-	-
2	AF-3065			OWN	-	-	-	-	-	-	-
				PRE	-	-	-	-	-	-	-
R-A	H-01148-RI		1-ISI-AF-7	ISI	-	-	-	-	-	-	-
R1.20-6	II-AF-007AF-FW-240		Pipe to Tee	AUG	-	-	-	-	-	-	-
2	AF-3065			OWN	-	-	-	-	-	-	-
				PRE	-	-	-	-	-	-	-
R-A	H-01149-RI		1-ISI-AF-7	ISI	-	-	-	-	-	-	-
R1.20-6	II-AF-007AF-FW-241		Valve to Pipe	AUG	-	-	-	-	-	-	-
2	AF-3065			OWN	-	-	-	-	-	-	-
				PRE	-	-	-	-	-	-	-
R-A	H-01150-RI		1-ISI-AF-7	ISI	-	-	-	-	-	-	-
R1.20-6	II-AF-007AF-FW-242		Pipe to Elbow	AUG	-	-	-	-	-	-	-
2	AF-3065			OWN	-	-	-	-	-	-	-
				PRE	-	-	-	-	-	-	-
R-A	H-01151-RI		1-ISI-AF-7	ISI	-	-	-	-	-	-	-
R1.20-6	II-AF-007AF-SW-A3		Elbow to Pipe	AUG	-	-	-	-	-	-	-
2	AF-3065			OWN	-	-	-	-	-	-	-
				PRE	-	-	-	-	-	-	-
R-A	H-01152-RI		1-ISI-AF-7	ISI	-	-	-	-	-	-	-
R1.20-6	II-AF-007AF-SW-B3		Cavitating Venturi to Pipe	AUG	-	-	-	-	-	-	-
2	AF-3065			OWN	-	-	-	-	-	-	-
				PRE	-	-	-	-	-	-	-
R-A	H-01153-RI		1-ISI-AF-7	ISI	-	-	-	-	-	-	-
R1.20-6	II-AF-007AF-SW-B4		Pipe to Cavitating Venturi	AUG	-	-	-	-	-	-	-
2	AF-3065			OWN	-	-	-	-	-	-	-
				PRE	-	-	-	-	-	-	-
R-A	H-01154-RI		1-ISI-AF-7	ISI	-	-	-	-	-	-	-
R1.20-6	II-AF-007AF-SW-B5		Tee to Pipe	AUG	-	-	-	-	-	-	-
2	AF-3065			OWN	-	-	-	-	-	-	-
				PRE	-	-	-	-	-	-	-
R-A	H-01155-RI		1-ISI-AF-7	ISI	-	-	-	-	-	-	-
R1.20-6	II-AF-007AF-SW-B6		Pipe to Tee	AUG	-	-	-	-	-	-	-
2	AF-3065			OWN	-	-	-	-	-	-	-
				PRE	-	-	-	-	-	-	-

Harris Nuclear Plant 3rd Interval

Category, Item No., Class	Summary No./CompID/System	Scope Method Procedure	Dwg/ISO No. Desc.	Comp. Code Case	Period 1		Period 2			Period 3	
					RFO-14	RFO-15	RFO-16	RFO-17	RFO-18	RFO-19	RFO-20
R-A	H-01156-RI		1-ISI-AF-7	ISI	-	-	-	-	-	-	-
R1.20-6	II-AF-007AF-SW-C3		Pipe to Elbow	AUG	-	-	-	-	-	-	-
2	AF-3065			OWN	-	-	-	-	-	-	-
				PRE	-	-	-	-	-	-	-
R-A	H-01157-RI		1-ISI-AF-7	ISI	-	-	-	-	-	-	-
R1.20-6	II-AF-007AF-SW-C4		Elbow to Pipe	AUG	-	-	-	-	-	-	-
2	AF-3065			OWN	-	-	-	-	-	-	-
				PRE	-	-	-	-	-	-	-
R-A	H-01158-RI		1-ISI-AF-8	ISI	-	-	-	-	-	-	-
R1.20-6	II-AF-008AF-01-FW-14		Piping Bend to Piping Bend	AUG	-	-	-	-	-	-	-
2	AF-3065			OWN	-	-	-	-	-	-	-
				PRE	-	-	-	-	-	-	-
R-A	H-01159-RI		1-ISI-AF-8	ISI	-	-	-	-	-	-	-
R1.20-6	II-AF-008AF-01-FW-16		Piping Bend to Piping Bend	AUG	-	-	-	-	-	-	-
2	AF-3065			OWN	-	-	-	-	-	-	-
				PRE	-	-	-	-	-	-	-
R-A	H-01160-RI		1-ISI-AF-8	ISI	-	-	-	-	-	-	-
R1.20-6	II-AF-008AF-01-FW-4		Elbow to Pipe	AUG	-	-	-	-	-	-	-
2	AF-3065			OWN	-	-	-	-	-	-	-
				PRE	-	-	-	-	-	-	-
R-A	H-01161-RI		1-ISI-AF-8	ISI	-	-	-	-	-	-	-
R1.20-6	II-AF-008AF-01-FW-5		Pipe to Elbow	AUG	-	-	-	-	-	-	-
2	AF-3065			OWN	-	-	-	-	-	-	-
				PRE	-	-	-	-	-	-	-
R-A	H-01162-RI		1-ISI-AF-8	ISI	-	-	-	-	-	-	-
R1.20-6	II-AF-008AF-01-FW-6		Elbow to Pipe	AUG	-	-	-	-	-	-	-
2	AF-3065			OWN	-	-	-	-	-	-	-
				PRE	-	-	-	-	-	-	-
R-A	H-01163-RI		1-ISI-AF-8	ISI	-	-	-	-	-	-	-
R1.20-6	II-AF-008AF-01-FW-8		Elbow to Pipe	AUG	-	-	-	-	-	-	-
2	AF-3065			OWN	-	-	-	-	-	-	-
				PRE	-	-	-	-	-	-	-
R-A	H-01164-RI		1-ISI-AF-8	ISI	-	-	-	-	-	-	-
R1.20-6	II-AF-008AF-01-FW-9		Pipe to Elbow	AUG	-	-	-	-	-	-	-
2	AF-3065			OWN	-	-	-	-	-	-	-
				PRE	-	-	-	-	-	-	-

Harris Nuclear Plant 3rd Interval

Category, Item No., Class	Summary No./CompID/System	Scope Method Procedure	Dwg/ISO No. Desc.	Comp. Code Case	Period 1		Period 2			Period 3	
					RFO-14	RFO-15	RFO-16	RFO-17	RFO-18	RFO-19	RFO-20
R-A	H-01165-RI		1-ISI-AF-8	ISI	-	-	-	-	-	-	-
R1.20-6	II-AF-008AF-02-FW-1		Flued Head to Piping Bend	AUG	-	-	-	-	-	-	-
2	AF-3065			OWN	-	-	-	-	-	-	-
				PRE	-	-	-	-	-	-	-
R-A	H-01166-RI		1-ISI-AF-8	ISI	-	-	-	-	-	-	-
R1.20-6	II-AF-008AF-02-FW-10		Pipe to Elbow	AUG	-	-	-	-	-	-	-
2	AF-3065			OWN	-	-	-	-	-	-	-
				PRE	-	-	-	-	-	-	-
R-A	H-01167-RI		1-ISI-AF-8	ISI	-	-	-	-	-	-	-
R1.20-6	II-AF-008AF-02-FW-2		Piping Bend to Piping Bend	AUG	-	-	-	-	-	-	-
2	AF-3065			OWN	-	-	-	-	-	-	-
				PRE	-	-	-	-	-	-	-
R-A	H-01170-RI		1-ISI-AF-8	ISI	-	-	-	-	-	-	-
R1.20-6	II-AF-008AF-02-FW-3		Piping Bend to Piping Bend	AUG	-	-	-	-	-	-	-
2	AF-3065			OWN	-	-	-	-	-	-	-
				PRE	-	-	-	-	-	-	-
R-A	H-01171-RI		1-ISI-AF-8	ISI	-	-	-	-	-	-	-
R1.20-6	II-AF-008AF-02-FW-4		Piping Bend to Piping Bend	AUG	-	-	-	-	-	-	-
2	AF-3065			OWN	-	-	-	-	-	-	-
				PRE	-	-	-	-	-	-	-
R-A	H-01172-RI		1-ISI-AF-8	ISI	-	-	-	-	-	-	-
R1.20-6	II-AF-008AF-02-FW-5		Piping Bend to Piping Bend	AUG	-	-	-	-	-	-	-
2	AF-3065			OWN	-	-	-	-	-	-	-
				PRE	-	-	-	-	-	-	-
R-A	H-01173-RI		1-ISI-AF-8	ISI	-	-	-	-	-	-	-
R1.20-6	II-AF-008AF-02-FW-6		Piping Bend to Piping Bend	AUG	-	-	-	-	-	-	-
2	AF-3065			OWN	-	-	-	-	-	-	-
				PRE	-	-	-	-	-	-	-
R-A	H-01174-RI		1-ISI-AF-8	ISI	-	-	-	-	-	-	-
R1.20-6	II-AF-008AF-02-FW-7		Piping Bend to Piping Bend	AUG	-	-	-	-	-	-	-
2	AF-3065			OWN	-	-	-	-	-	-	-
				PRE	-	-	-	-	-	-	-
R-A	H-01175-RI		1-ISI-AF-8	ISI	-	-	-	-	-	-	-
R1.20-6	II-AF-008AF-02-FW-8		Piping Bend to Piping Bend	AUG	-	-	-	-	-	-	-
2	AF-3065			OWN	-	-	-	-	-	-	-
				PRE	-	-	-	-	-	-	-

Harris Nuclear Plant 3rd Interval

Category, Item No., Class	Summary No./CompID/System	Scope Method Procedure	Dwg/ISO No. Desc.	Comp. Code Case	Period 1		Period 2			Period 3	
					RFO-14	RFO-15	RFO-16	RFO-17	RFO-18	RFO-19	RFO-20
R-A	H-01176-RI		1-ISI-AF-8	ISI	-	-	-	-	-	-	-
R1.20-6	II-AF-008AF-02-FW-9		Piping Bend to Piping Bend	AUG	-	-	-	-	-	-	-
2	AF-3065			OWN	-	-	-	-	-	-	-
				PRE	-	-	-	-	-	-	-
R-A	H-01177-RI		1-ISI-AF-8	ISI	-	-	-	-	-	-	-
R1.20-6	II-AF-008AF-FW-1		Pipe to Elbow	AUG	-	-	-	-	-	-	-
2	AF-3065			OWN	-	-	-	-	-	-	-
				PRE	-	-	-	-	-	-	-
R-A	H-01178-RI		1-ISI-AF-8	ISI	-	-	-	-	-	-	-
R1.20-6	II-AF-008AF-FW-2		Elbow to Pipe	AUG	-	-	-	-	-	-	-
2	AF-3065			OWN	-	-	-	-	-	-	-
				PRE	-	-	-	-	-	-	-
R-A	H-01179-RI		1-ISI-AF-8	ISI	-	-	-	-	-	-	-
R1.20-6	II-AF-008AF-FW-3		Pipe to Elbow	AUG	-	-	-	-	-	-	-
2	AF-3065			OWN	-	-	-	-	-	-	-
				PRE	-	-	-	-	-	-	-
R-A	H-01180-RI		1-ISI-AF-8	ISI	-	-	-	-	-	-	-
R1.20-6	II-AF-008AF-FW-4		Elbow to Pipe	AUG	-	-	-	-	-	-	-
2	AF-3065			OWN	-	-	-	-	-	-	-
				PRE	-	-	-	-	-	-	-
R-A	H-01181-RI		1-ISI-AF-8	ISI	-	-	-	-	-	-	-
R1.20-6	II-AF-008AF-FW-5		Pipe to Valve	AUG	-	-	-	-	-	-	-
2	AF-3065			OWN	-	-	-	-	-	-	-
				PRE	-	-	-	-	-	-	-
R-A	H-01182-RI		1-ISI-AF-8	ISI	-	-	-	-	-	-	-
R1.20-6	II-AF-008AF-FW-6		Valve to Pipe	AUG	-	-	-	-	-	-	-
2	AF-3065			OWN	-	-	-	-	-	-	-
				PRE	-	-	-	-	-	-	-
R-A	H-01185-RI		1-ISI-AF-8	ISI	-	-	-	-	-	-	-
R1.20-6	II-AF-008AF-FW-9		Piping Bend to Piping Bend	AUG	-	-	-	-	-	-	-
2	AF-3065			OWN	-	-	-	-	-	-	-
				PRE	-	-	-	-	-	-	-
R-A	H-01186-RI		1-ISI-AF-8	ISI	-	-	-	-	-	-	-
R1.20-6	II-AF-008AF-M108-PW-1		Flued Head to Pipe	AUG	-	-	-	-	-	-	-
2	AF-3065			OWN	-	-	-	-	-	-	-
				PRE	-	-	-	-	-	-	-

Harris Nuclear Plant 3rd Interval

Category, Item No., Class	Summary No./CompID/System	Scope Method Procedure	Dwg/ISO No. Desc.	Comp. Code Case	Period 1		Period 2			Period 3	
					RFO-14	RFO-15	RFO-16	RFO-17	RFO-18	RFO-19	RFO-20
R-A	H-01187-RI		1-ISI-AF-9	ISI	-	-	-	-	-	-	-
R1.20-6	II-AF-009AF-01-FW-1		Pipe to Elbow	AUG	-	-	-	-	-	-	-
2	AF-3065			OWN	-	-	-	-	-	-	-
				PRE	-	-	-	-	-	-	-
R-A	H-01188-RI		1-ISI-AF-9	ISI	-	-	-	-	-	-	-
R1.20-6	II-AF-009AF-01-FW-10		Elbow to Pipe	AUG	-	-	-	-	-	-	-
2	AF-3065			OWN	-	-	-	-	-	-	-
				PRE	-	-	-	-	-	-	-
R-A	H-01189-RI		1-ISI-AF-9	ISI	-	-	-	-	-	-	-
R1.20-6	II-AF-009AF-01-FW-11		Pipe to Elbow	AUG	-	-	-	-	-	-	-
2	AF-3065			OWN	-	-	-	-	-	-	-
				PRE	-	-	-	-	-	-	-
R-A	H-01190-RI		1-ISI-AF-9	ISI	-	-	-	-	-	-	-
R1.20-6	II-AF-009AF-01-FW-12		Elbow to Pipe	AUG	-	-	-	-	-	-	-
2	AF-3065			OWN	-	-	-	-	-	-	-
				PRE	-	-	-	-	-	-	-
R-A	H-01191-RI		1-ISI-AF-9	ISI	-	-	-	-	-	-	-
R1.20-6	II-AF-009AF-01-FW-13		Pipe to Elbow	AUG	-	-	-	-	-	-	-
2	AF-3065			OWN	-	-	-	-	-	-	-
				PRE	-	-	-	-	-	-	-
R-A	H-01192-RI		1-ISI-AF-9	ISI	-	-	-	-	-	-	-
R1.20-6	II-AF-009AF-01-FW-14		Elbow to Pipe	AUG	-	-	-	-	-	-	-
2	AF-3065			OWN	-	-	-	-	-	-	-
				PRE	-	-	-	-	-	-	-
R-A	H-01193-RI		1-ISI-AF-9	ISI	-	-	-	-	-	-	-
R1.20-6	II-AF-009AF-01-FW-15		Pipe to Elbow	AUG	-	-	-	-	-	-	-
2	AF-3065			OWN	-	-	-	-	-	-	-
				PRE	-	-	-	-	-	-	-
R-A	H-01194-RI		1-ISI-AF-9	ISI	-	-	-	-	-	-	-
R1.20-6	II-AF-009AF-01-FW-16		Elbow to Pipe	AUG	-	-	-	-	-	-	-
2	AF-3065			OWN	-	-	-	-	-	-	-
				PRE	-	-	-	-	-	-	-
R-A	H-01195-RI		1-ISI-AF-9	ISI	-	-	-	-	-	-	-
R1.20-6	II-AF-009AF-01-FW-2		Elbow to Pipe	AUG	-	-	-	-	-	-	-
2	AF-3065			OWN	-	-	-	-	-	-	-
				PRE	-	-	-	-	-	-	-

Harris Nuclear Plant 3rd Interval

Category, Item No., Class	Summary No./CompID/System	Scope Method Procedure	Dwg/ISO No. Desc.	Comp. Code Case	Period 1		Period 2			Period 3	
					RFO-14	RFO-15	RFO-16	RFO-17	RFO-18	RFO-19	RFO-20
R-A	H-01205-RI		1-ISI-AF-9	ISI	-	-	-	-	-	-	-
R1.20-6	II-AF-009AF-FW-3		Piping Bend to Elbow	AUG	-	-	-	-	-	-	-
2	AF-3065			OWN	-	-	-	-	-	-	-
				PRE	-	-	-	-	-	-	-
R-A	H-01206-RI		1-ISI-AF-9	ISI	-	-	-	-	-	-	-
R1.20-6	II-AF-009AF-FW-4		Elbow to Pipe	AUG	-	-	-	-	-	-	-
2	AF-3065			OWN	-	-	-	-	-	-	-
				PRE	-	-	-	-	-	-	-
R-A	H-01207-RI		1-ISI-AF-9	ISI	-	-	-	-	-	-	-
R1.20-6	II-AF-009AF-FW-5		Pipe to Valve	AUG	-	-	-	-	-	-	-
2	AF-3065			OWN	-	-	-	-	-	-	-
				PRE	-	-	-	-	-	-	-
R-A	H-01208-RI		1-ISI-AF-9	ISI	-	-	-	-	-	-	-
R1.20-6	II-AF-009AF-FW-6		Valve to Pipe	AUG	-	-	-	-	-	-	-
2	AF-3065			OWN	-	-	-	-	-	-	-
				PRE	-	-	-	-	-	-	-
R-A	H-01211-RI		1-ISI-AF-9	ISI	-	-	-	-	-	-	-
R1.20-6	II-AF-009AF-M109-PW-1		Flued Head to Pipe	AUG	-	-	-	-	-	-	-
2	AF-3065			OWN	-	-	-	-	-	-	-
				PRE	-	-	-	-	-	-	-
R-A	H-01212-RI		1-ISI-AF-10	ISI	-	-	-	-	-	-	-
R1.20-6	II-AF-010AF-01-FW-1		Flued Head to Pipe	AUG	-	-	-	-	-	-	-
2	AF-3065			OWN	-	-	-	-	-	-	-
				PRE	-	-	-	-	-	-	-
R-A	H-01213-RI		1-ISI-AF-10	ISI	-	-	-	-	-	-	-
R1.20-6	II-AF-010AF-01-FW-2		Piping Bend to Pipe	AUG	-	-	-	-	-	-	-
2	AF-3065			OWN	-	-	-	-	-	-	-
				PRE	-	-	-	-	-	-	-
R-A	H-01214-RI		1-ISI-AF-10	ISI	-	-	-	-	-	-	-
R1.20-6	II-AF-010AF-01-FW-3		Pipe to Pipe	AUG	-	-	-	-	-	-	-
2	AF-3065			OWN	-	-	-	-	-	-	-
				PRE	-	-	-	-	-	-	-
R-A	H-01215-RI		1-ISI-AF-10	ISI	-	-	-	-	-	-	-
R1.20-6	II-AF-010AF-01-FW-4		Pipe to Pipe	AUG	-	-	-	-	-	-	-
2	AF-3065			OWN	-	-	-	-	-	-	-
				PRE	-	-	-	-	-	-	-

Harris Nuclear Plant 3rd Interval

Category, Item No., Class	Summary No./CompID/System	Scope Method Procedure	Dwg/ISO No. Desc.	Comp. Code Case	Period 1		Period 2			Period 3		
					RFO-14	RFO-15	RFO-16	RFO-17	RFO-18	RFO-19	RFO-20	
R-A R1.20-6 2	H-01216-RI II-AF-010AF-02-FW-1 AF-3065		1-ISI-AF-10 Pipe to Elbow	ISI AUG OWN PRE	-	-	-	-	-	-	-	-
R-A R1.20-6 2	H-01217-RI II-AF-010AF-02-FW-10 AF-3065		1-ISI-AF-10 Piping Bend to Piping Bend	ISI AUG OWN PRE	-	-	-	-	-	-	-	-
R-A R1.20-6 2	H-01218-RI II-AF-010AF-02-FW-11 AF-3065		1-ISI-AF-10 Pipe to Elbow	ISI AUG OWN PRE	-	-	-	-	-	-	-	-
R-A R1.20-6 2	H-01219-RI II-AF-010AF-02-FW-12 AF-3065		1-ISI-AF-10 Elbow to Pipe	ISI AUG OWN PRE	-	-	-	-	-	-	-	-
R-A R1.20-6 2	H-01220-RI II-AF-010AF-02-FW-13 AF-3065		1-ISI-AF-10 Pipe to Elbow	ISI AUG OWN PRE	-	-	-	-	-	-	-	-
R-A R1.20-6 2	H-01221-RI II-AF-010AF-02-FW-14 AF-3065		1-ISI-AF-10 Elbow to Pipe	ISI AUG OWN PRE	-	-	-	-	-	-	-	-
R-A R1.20-6 2	H-01222-RI II-AF-010AF-02-FW-15 AF-3065		1-ISI-AF-10 Pipe to Pipe	ISI AUG OWN PRE	-	-	-	-	-	-	-	-
R-A R1.20-6 2	H-01223-RI II-AF-010AF-02-FW-2 AF-3065		1-ISI-AF-10 Elbow to Pipe	ISI AUG OWN PRE	-	-	-	-	-	-	-	-
R-A R1.20-6 2	H-01224-RI II-AF-010AF-02-FW-3 AF-3065		1-ISI-AF-10 Pipe to Elbow	ISI AUG OWN PRE	-	-	-	-	-	-	-	-

Harris Nuclear Plant 3rd Interval

Category, Item No., Class	Summary No./CompID/System	Scope Method Procedure	Dwg/ISO No. Desc.	Comp. Code Case	Period 1		Period 2			Period 3									
					RFO-14	RFO-15	RFO-16	RFO-17	RFO-18	RFO-19	RFO-20								
R-A R1.20-6 2	H-01225-RI II-AF-010AF-02-FW-4 AF-3065		1-ISI-AF-10 Elbow to Pipe	ISI AUG OWN PRE	-	-	-	-	-	-	-	-	-	-	-	-	-	-	-
R-A R1.20-6 2	H-01226-RI II-AF-010AF-02-FW-5 AF-3065		1-ISI-AF-10 Pipe to Elbow	ISI AUG OWN PRE	-	-	-	-	-	-	-	-	-	-	-	-	-	-	-
R-A R1.20-6 2	H-01227-RI II-AF-010AF-02-FW-6 AF-3065		1-ISI-AF-10 Elbow to Pipe	ISI AUG OWN PRE	-	-	-	-	-	-	-	-	-	-	-	-	-	-	-
R-A R1.20-6 2	H-01228-RI II-AF-010AF-02-FW-7 AF-3065		1-ISI-AF-10 Pipe to Elbow	ISI AUG OWN PRE	-	-	-	-	-	-	-	-	-	-	-	-	-	-	-
R-A R1.20-6 2	H-01229-RI II-AF-010AF-02-FW-8 AF-3065		1-ISI-AF-10 Elbow to Pipe	ISI AUG OWN PRE	-	-	-	-	-	-	-	-	-	-	-	-	-	-	-
R-A R1.20-6 2	H-01230-RI II-AF-010AF-02-FW-9 AF-3065		1-ISI-AF-10 Piping Bend to Piping Bend	ISI AUG OWN PRE	-	-	-	-	-	-	-	-	-	-	-	-	-	-	-
R-A R1.20-6 2	H-01231-RI II-AF-010AF-FW-1 AF-3065		1-ISI-AF-10 Pipe to Piping Bend	ISI AUG OWN PRE	-	-	-	-	-	-	-	-	-	-	-	-	-	-	-
R-A R1.20-6 2	H-01232-RI II-AF-010AF-FW-2 AF-3065		1-ISI-AF-10 Piping Bend to Pipe	ISI AUG OWN PRE	-	-	-	-	-	-	-	-	-	-	-	-	-	-	-
R-A R1.20-6 2	H-01233-RI II-AF-010AF-FW-3 AF-3065		1-ISI-AF-10 Pipe to Piping Bend	ISI AUG OWN PRE	-	-	-	-	-	-	-	-	-	-	-	-	-	-	-

Harris Nuclear Plant 3rd Interval

Category, Item No., Class	Summary No./CompID/System	Scope Method Procedure	Dwg/ISO No. Desc.	Comp. Code Case	Period 1		Period 2			Period 3	
					RFO-14	RFO-15	RFO-16	RFO-17	RFO-18	RFO-19	RFO-20
R-A	H-01234-RI		1-ISI-AF-10	ISI	-	-	-	-	-	-	-
R1.20-6	II-AF-010AF-FW-4		Piping Bend to Pipe	AUG	-	-	-	-	-	-	-
2	AF-3065			OWN	-	-	-	-	-	-	-
				PRE	-	-	-	-	-	-	-
R-A	H-01235-RI		1-ISI-AF-10	ISI	-	-	-	-	-	-	-
R1.20-6	II-AF-010AF-FW-5		Pipe to Valve	AUG	-	-	-	-	-	-	-
2	AF-3065			OWN	-	-	-	-	-	-	-
				PRE	-	-	-	-	-	-	-
R-A	H-01236-RI		1-ISI-AF-10	ISI	-	-	-	-	-	-	-
R1.20-6	II-AF-010AF-FW-6		Valve to Pipe	AUG	-	-	-	-	-	-	-
2	AF-3065			OWN	-	-	-	-	-	-	-
				PRE	-	-	-	-	-	-	-
R-A	H-01241-RI		1-ISI-AF-10	ISI	-	-	-	-	-	-	-
R1.20-6	II-AF-010AF-M110-PW-1		Flued Head to Pipe	AUG	-	-	-	-	-	-	-
2	AF-3065			OWN	-	-	-	-	-	-	-
				PRE	-	-	-	-	-	-	-
R-A	H-01373-RI		1-ISI-CS-1	ISI	-	-	-	-	-	-	-
R1.20-6	II-CS-001CS-128-1-SW-1		Pipe to Pipe	AUG	-	-	-	-	-	-	-
2	CS-2060			OWN	-	-	-	-	-	-	-
				PRE	-	-	-	-	-	-	-
R-A	H-01374-RI		1-ISI-CS-1	ISI	-	-	-	-	-	-	-
R1.20-6	II-CS-001CS-128-1-SW-2		Pipe to Elbow	AUG	-	-	-	-	-	-	-
2	CS-2060			OWN	-	-	-	-	-	-	-
				PRE	-	-	-	-	-	-	-
R-A	H-01375-RI		1-ISI-CS-1	ISI	-	-	-	-	-	-	-
R1.20-6	II-CS-001CS-128-2-SW-1		Tee to Pipe	AUG	-	-	-	-	-	-	-
2	CS-2060			OWN	-	-	-	-	-	-	-
				PRE	-	-	-	-	-	-	-
R-A	H-01376-RI		1-ISI-CS-1	ISI	-	-	-	-	-	-	-
R1.20-6	II-CS-001CS-128-2-SW-2		Pipe to Pipe	AUG	-	-	-	-	-	-	-
2	CS-2060			OWN	-	-	-	-	-	-	-
				PRE	-	-	-	-	-	-	-
R-A	H-01380-RI		1-ISI-CS-1	ISI	-	-	-	-	-	-	-
R1.20-6	II-CS-001CS-128-FW-158		Pipe to Valve	AUG	-	-	-	-	-	-	-
2	CS-2060			OWN	-	-	-	-	-	-	-
				PRE	-	-	-	-	-	-	-

Harris Nuclear Plant 3rd Interval

Category, Item No., Class	Summary No./CompID/System	Scope Method Procedure	Dwg/ISO No. Desc.	Comp. Code Case	Period 1		Period 2			Period 3	
					RFO-14	RFO-15	RFO-16	RFO-17	RFO-18	RFO-19	RFO-20
R-A	H-01381-RI		1-ISI-CS-1	ISI	-	-	-	-	-	-	-
R1.20-6	II-CS-001CS-128-FW-159		Valve to Pipe	AUG	-	-	-	-	-	-	-
2	CS-2060			OWN	-	-	-	-	-	-	-
				PRE	-	-	-	-	-	-	-
R-A	H-01382-RI		1-ISI-CS-1	ISI	-	-	-	-	-	-	-
R1.20-6	II-CS-001CS-131-2-SW-1		Pipe to Elbow	AUG	-	-	-	-	-	-	-
2	CS-2060			OWN	-	-	-	-	-	-	-
				PRE	-	-	-	-	-	-	-
R-A	H-01383-RI		1-ISI-CS-1	ISI	-	-	-	-	-	-	-
R1.20-6	II-CS-001CS-131-2-SW-2		Elbow to Pipe	AUG	-	-	-	-	-	-	-
2	CS-2060			OWN	-	-	-	-	-	-	-
				PRE	-	-	-	-	-	-	-
R-A	H-01384-RI		1-ISI-CS-1	ISI	-	-	-	-	-	-	-
R1.20-6	II-CS-001CS-131-3-SW-1		Pipe to Pipe	AUG	-	-	-	-	-	-	-
2	CS-2060			OWN	-	-	-	-	-	-	-
				PRE	-	-	-	-	-	-	-
R-A	H-01385-RI		1-ISI-CS-1	ISI	-	-	-	-	-	-	-
R1.20-6	II-CS-001CS-134-2-SW-2		Pipe to Elbow	AUG	-	-	-	-	-	-	-
2	CS-2060			OWN	-	-	-	-	-	-	-
				PRE	-	-	-	-	-	-	-
R-A	H-01386-RI		1-ISI-CS-1	ISI	-	-	-	-	-	-	-
R1.20-6	II-CS-001CS-134-2-SW-3		Tee to Pipe	AUG	-	-	-	-	-	-	-
2	CS-2060			OWN	-	-	-	-	-	-	-
				PRE	-	-	-	-	-	-	-
R-A	H-01387-RI		1-ISI-CS-1	ISI	-	-	-	-	-	-	-
R1.20-6	II-CS-001CS-134-2-SW-4		Elbow to Pipe	AUG	-	-	-	-	-	-	-
2	CS-2060			OWN	-	-	-	-	-	-	-
				PRE	-	-	-	-	-	-	-
R-A	H-01391-RI		1-ISI-CS-1	ISI	-	-	-	-	-	-	-
R1.20-6	II-CS-001CS-FW-153		Pipe to Valve	AUG	-	-	-	-	-	-	-
2	CS-2060			OWN	-	-	-	-	-	-	-
				PRE	-	-	-	-	-	-	-
R-A	H-01392-RI		1-ISI-CS-1	ISI	-	-	-	-	-	-	-
R1.20-6	II-CS-001CS-FW-154		Elbow to Pipe	AUG	-	-	-	-	-	-	-
2	CS-2060			OWN	-	-	-	-	-	-	-
				PRE	-	-	-	-	-	-	-

Harris Nuclear Plant 3rd Interval

Category, Item No., Class	Summary No./ComplID/System	Scope Method Procedure	Dwg/ISO No. Desc.	Comp. Code Case	Period 1		Period 2			Period 3									
					RFO-14	RFO-15	RFO-16	RFO-17	RFO-18	RFO-19	RFO-20								
R-A R1.20-6 2	H-01393-RI II-CS-001CS-FW-157 CS-2060		1-ISI-CS-1 Valve to Pipe	ISI AUG OWN PRE	-	-	-	-	-	-	-	-	-	-	-	-	-	-	-
R-A R1.20-6 2	H-01394-RI II-CS-001CS-FW-191 CS-2060		1-ISI-CS-1 Tee to Pipe	ISI AUG OWN PRE	-	-	-	-	-	-	-	-	-	-	-	-	-	-	-
R-A R1.20-6 2	H-01395-RI II-CS-001CS-FW-194 CS-2060		1-ISI-CS-1 Pipe to Elbow	ISI AUG OWN PRE	-	-	-	-	-	-	-	-	-	-	-	-	-	-	-
R-A R1.20-6 2	H-01396-RI II-CS-001CS-FW-195 CS-2060		1-ISI-CS-1 Pipe to Valve	ISI AUG OWN PRE	-	-	-	-	-	-	-	-	-	-	-	-	-	-	-
R-A R1.20-6 2	H-01397-RI II-CS-001CS-FW-196 CS-2060		1-ISI-CS-1 Valve to Pipe	ISI AUG OWN PRE	-	-	-	-	-	-	-	-	-	-	-	-	-	-	-
R-A R1.20-6 2	H-01398-RI II-CS-001CS-FW-197 CS-2060		1-ISI-CS-1 Pipe to Valve	ISI AUG OWN PRE	-	-	-	-	-	-	-	-	-	-	-	-	-	-	-
R-A R1.20-6 2	H-01399-RI II-CS-001CS-FW-217 CS-2060		1-ISI-CS-1 Reducing Tee to Pipe	ISI AUG OWN PRE	-	-	-	-	-	-	-	-	-	-	-	-	-	-	-
R-A R1.20-6 2	H-01400-RI II-CS-001CS-FW-218 CS-2060		1-ISI-CS-1 Pipe to Valve	ISI AUG OWN PRE	-	-	-	-	-	-	-	-	-	-	-	-	-	-	-
R-A R1.20-6 2	H-01401-RI II-CS-001CS-FW-219 CS-2060		1-ISI-CS-1 Valve to Pipe	ISI AUG OWN PRE	-	-	-	-	-	-	-	-	-	-	-	-	-	-	-

Harris Nuclear Plant 3rd Interval

Category, Item No., Class	Summary No./CompID/System	Scope Method Procedure	Dwg/ISO No. Desc.	Comp. Code Case	Period 1		Period 2			Period 3	
					RFO-14	RFO-15	RFO-16	RFO-17	RFO-18	RFO-19	RFO-20
R-A	H-01414-RI		1-ISI-CS-1	ISI	-	-	-	-	-	-	-
R1.20-6	II-CS-001CS-SW-D4		Pipe to Reducing Tee	AUG	-	-	-	-	-	-	-
2	CS-2060			OWN	-	-	-	-	-	-	-
				PRE	-	-	-	-	-	-	-
R-A	H-01415-RI		1-ISI-CS-1	ISI	-	-	-	-	-	-	-
R1.20-6	II-CS-001CS-SW-E3		Elbow to Pipe	AUG	-	-	-	-	-	-	-
2	CS-2060			OWN	-	-	-	-	-	-	-
				PRE	-	-	-	-	-	-	-
R-A	H-01416-RI		1-ISI-CS-1	ISI	-	-	-	-	-	-	-
R1.20-6	II-CS-001CS-SW-E4		Pipe to Elbow	AUG	-	-	-	-	-	-	-
2	CS-2060			OWN	-	-	-	-	-	-	-
				PRE	-	-	-	-	-	-	-
R-A	H-01417-RI		1-ISI-CS-1	ISI	-	-	-	-	-	-	-
R1.20-6	II-CS-001CS-SW-E5		Elbow to Pipe	AUG	-	-	-	-	-	-	-
2	CS-2060			OWN	-	-	-	-	-	-	-
				PRE	-	-	-	-	-	-	-
R-A	H-01418-RI		1-ISI-CS-1	ISI	-	-	-	-	-	-	-
R1.20-6	II-CS-001CS-SW-G3		Elbow to Pipe	AUG	-	-	-	-	-	-	-
2	CS-2060			OWN	-	-	-	-	-	-	-
				PRE	-	-	-	-	-	-	-
R-A	H-01419-RI		1-ISI-CS-1	ISI	-	-	-	-	-	-	-
R1.20-6	II-CS-001CS-SW-G4		Pipe to Elbow	AUG	-	-	-	-	-	-	-
2	CS-2060			OWN	-	-	-	-	-	-	-
				PRE	-	-	-	-	-	-	-
R-A	H-01420-RI		1-ISI-CS-1	ISI	-	-	-	-	-	-	-
R1.20-6	II-CS-001CS-SW-G5		Elbow to Pipe	AUG	-	-	-	-	-	-	-
2	CS-2060			OWN	-	-	-	-	-	-	-
				PRE	-	-	-	-	-	-	-
R-A	H-01421-RI		1-ISI-CS-1	ISI	-	-	-	-	-	-	-
R1.20-6	II-CS-001CS-SW-G6		Pipe to Elbow	AUG	-	-	-	-	-	-	-
2	CS-2060			OWN	-	-	-	-	-	-	-
				PRE	-	-	-	-	-	-	-
R-A	H-01422-RI		1-ISI-CS-1	ISI	-	-	-	-	-	-	-
R1.20-6	II-CS-001CS-SW-H10		Tee to Flange	AUG	-	-	-	-	-	-	-
2	CS-2060			OWN	-	-	-	-	-	-	-
				PRE	-	-	-	-	-	-	-

Harris Nuclear Plant 3rd Interval

Category, Item No., Class	Summary No./ComplD/System	Scope Method Procedure	Dwg/ISO No. Desc.	Comp. Code Case	Period 1		Period 2			Period 3	
					RFO-14	RFO-15	RFO-16	RFO-17	RFO-18	RFO-19	RFO-20
R-A R1.20-6 2	H-01469-RI II-CS-002RH-FW-85 RH-2085		1-ISI-CS-2 Elbow to Pipe	ISI AUG OWN PRE	-	-	-	-	-	-	-
R-A R1.20-6 2	H-01471-RI II-CS-002RH-FW-86 RH-2085		1-ISI-CS-2 Pipe to Valve	ISI AUG OWN PRE	-	-	-	-	-	-	-
R-A R1.20-6 2	H-01473-RI II-CS-002RH-FW-87 RH-2085		1-ISI-CS-2 Valve to Pipe	ISI AUG OWN PRE	-	-	-	-	-	-	-
R-A R1.20-6 2	H-01475-RI II-CS-002RH-FW-88 RH-2085		1-ISI-CS-2 Pipe to Nozzle 1A Inlet	ISI AUG OWN PRE	-	-	-	-	-	-	-
R-A R1.20-6 2	H-01479-RI II-CS-002RH-FW-90 RH-2085		1-ISI-CS-2 Pipe to Valve	ISI AUG OWN PRE	-	-	-	-	-	-	-
R-A R1.20-6 2	H-01480-RI II-CS-002RH-FW-91 CS-2060		1-ISI-CS-2 Valve to Pipe	ISI AUG OWN PRE	-	-	-	-	-	-	-
R-A R1.20-6 2	H-01481-RI II-CS-002RH-FW-92 RH-2085		1-ISI-CS-2 Outlet Nozzle 1A to Pipe	ISI AUG OWN PRE	-	-	-	-	-	-	-
R-A R1.20-6 2	H-01483-RI II-CS-002RH-SW-A10 RH-2085		1-ISI-CS-2 Pipe to Elbow	ISI AUG OWN PRE	-	-	-	-	-	-	-
R-A R1.20-6 2	H-01485-RI II-CS-002RH-SW-A11 RH-2085		1-ISI-CS-2 Elbow to Pipe	ISI AUG OWN PRE	-	-	-	-	-	-	-

Harris Nuclear Plant 3rd Interval

Category, Item No., Class	Summary No./CompID/System	Scope Method Procedure	Dwg/ISO No. Desc.	Comp. Code Case	Period 1		Period 2			Period 3	
					RFO-14	RFO-15	RFO-16	RFO-17	RFO-18	RFO-19	RFO-20
R-A	H-01487-RI		1-ISI-CS-2	ISI	-	-	-	-	-	-	-
R1.20-6	II-CS-002RH-SW-A12		Pipe to Elbow	AUG	-	-	-	-	-	-	-
2	RH-2085			OWN	-	-	-	-	-	-	-
				PRE	-	-	-	-	-	-	-
R-A	H-01489-RI		1-ISI-CS-2	ISI	-	-	-	-	-	-	-
R1.20-6	II-CS-002RH-SW-A13		Elbow to Pipe	AUG	-	-	-	-	-	-	-
2	RH-2085			OWN	-	-	-	-	-	-	-
				PRE	-	-	-	-	-	-	-
R-A	H-01491-RI		1-ISI-CS-2	ISI	-	-	-	-	-	-	-
R1.20-6	II-CS-002RH-SW-A14		Pipe to Elbow	AUG	-	-	-	-	-	-	-
2	RH-2085			OWN	-	-	-	-	-	-	-
				PRE	-	-	-	-	-	-	-
R-A	H-01493-RI		1-ISI-CS-2	ISI	-	-	-	-	-	-	-
R1.20-6	II-CS-002RH-SW-A3		Pipe to Flange	AUG	-	-	-	-	-	-	-
2	RH-2085			OWN	-	-	-	-	-	-	-
				PRE	-	-	-	-	-	-	-
R-A	H-01495-RI		1-ISI-CS-2	ISI	-	-	-	-	-	-	-
R1.20-6	II-CS-002RH-SW-A4		Tee to Pipe	AUG	-	-	-	-	-	-	-
2	RH-2085			OWN	-	-	-	-	-	-	-
				PRE	-	-	-	-	-	-	-
R-A	H-01497-RI		1-ISI-CS-2	ISI	-	-	-	-	-	-	-
R1.20-6	II-CS-002RH-SW-A5		Tee to Pipe	AUG	-	-	-	-	-	-	-
2	RH-2085			OWN	-	-	-	-	-	-	-
				PRE	-	-	-	-	-	-	-
R-A	H-01499-RI		1-ISI-CS-2	ISI	-	-	-	-	-	-	-
R1.20-6	II-CS-002RH-SW-A6		Pipe to Reducer	AUG	-	-	-	-	-	-	-
2	RH-2085			OWN	-	-	-	-	-	-	-
				PRE	-	-	-	-	-	-	-
R-A	H-01501-RI		1-ISI-CS-2	ISI	-	-	-	-	-	-	-
R1.20-6	II-CS-002RH-SW-A7		Reducer to Pipe	AUG	-	-	-	-	-	-	-
2	RH-2085			OWN	-	-	-	-	-	-	-
				PRE	-	-	-	-	-	-	-
R-A	H-01502-RI		1-ISI-CS-2	ISI	-	-	-	-	-	-	-
R1.20-6	II-CS-002RH-SW-A8		Pipe to Tee	AUG	-	-	-	-	-	-	-
2	RH-2085			OWN	-	-	-	-	-	-	-
				PRE	-	-	-	-	-	-	-

Harris Nuclear Plant 3rd Interval

Category, Item No., Class	Summary No./CompID/System	Scope Method Procedure	Dwg/ISO No. Desc.	Comp. Code Case	Period 1		Period 2			Period 3									
					RFO-14	RFO-15	RFO-16	RFO-17	RFO-18	RFO-19	RFO-20								
R-A R1.20-6 2	H-01504-RI II-CS-002RH-SW-A9 RH-2085		1-ISI-CS-2 Elbow to Pipe	ISI AUG OWN PRE	-	-	-	-	-	-	-	-	-	-	-	-	-	-	-
R-A R1.20-6 2	H-01506-RI II-CS-002RH-SW-B10 RH-2085		1-ISI-CS-2 Elbow to Pipe	ISI AUG OWN PRE	-	-	-	-	-	-	-	-	-	-	-	-	-	-	-
R-A R1.20-6 2	H-01507-RI II-CS-002RH-SW-B11 RH-2085		1-ISI-CS-2 Pipe to Elbow	ISI AUG OWN PRE	-	-	-	-	-	-	-	-	-	-	-	-	-	-	-
R-A R1.20-6 2	H-01508-RI II-CS-002RH-SW-B3 RH-2085		1-ISI-CS-2 Pipe to Reducing Tee	ISI AUG OWN PRE	-	-	-	-	-	-	-	-	-	-	-	-	-	-	-
R-A R1.20-6 2	H-01510-RI II-CS-002RH-SW-B4 RH-2085		1-ISI-CS-2 Flange to Pipe	ISI AUG OWN PRE	-	-	-	-	-	-	-	-	-	-	-	-	-	-	-
R-A R1.20-6 2	H-01512-RI II-CS-002RH-SW-B5 RH-2085		1-ISI-CS-2 Pipe to Reducing Tee	ISI AUG OWN PRE	-	-	-	-	-	-	-	-	-	-	-	-	-	-	-
R-A R1.20-6 2	H-01513-RI II-CS-002RH-SW-B6 RH-2085		1-ISI-CS-2 Elbow to Pipe	ISI AUG OWN PRE	-	-	-	-	-	-	-	-	-	-	-	-	-	-	-
R-A R1.20-6 2	H-01515-RI II-CS-002RH-SW-B8 RH-2085		1-ISI-CS-2 Elbow to Pipe	ISI AUG OWN PRE	-	-	-	-	-	-	-	-	-	-	-	-	-	-	-
R-A R1.20-6 2	H-01516-RI II-CS-002RH-SW-B9 RH-2085		1-ISI-CS-2 Pipe to Elbow	ISI AUG OWN PRE	-	-	-	-	-	-	-	-	-	-	-	-	-	-	-

Harris Nuclear Plant 3rd Interval

Category, Item No., Class	Summary No./CompID/System	Scope Method Procedure	Dwg/ISO No. Desc.	Comp. Code Case	Period 1		Period 2			Period 3									
					RFO-14	RFO-15	RFO-16	RFO-17	RFO-18	RFO-19	RFO-20								
R-A R1.20-6 2	H-01519-RI II-CS-002RH-SW-C3 RH-2085		1-ISI-CS-2 Elbow to Pipe	ISI AUG OWN PRE	-	-	-	-	-	-	-	-	-	-	-	-	-	-	-
R-A R1.20-6 2	H-01520-RI II-CS-002RH-SW-C33 RH-2085		1-ISI-CS-2 Pipe to Pipe	ISI AUG OWN PRE	-	-	-	-	-	-	-	-	-	-	-	-	-	-	-
R-A R1.20-6 2	H-01524-RI II-CS-002RH-SW-C4 RH-2085		1-ISI-CS-2 Pipe to Elbow	ISI AUG OWN PRE	-	-	-	-	-	-	-	-	-	-	-	-	-	-	-
R-A R1.20-6 2	H-01526-RI II-CS-002RH-SW-C5 RH-2085		1-ISI-CS-2 Elbow to Pipe	ISI AUG OWN PRE	-	-	-	-	-	-	-	-	-	-	-	-	-	-	-
R-A R1.20-6 2	H-01528-RI II-CS-002RH-SW-C6 RH-2085		1-ISI-CS-2 Pipe to Elbow	ISI AUG OWN PRE	-	-	-	-	-	-	-	-	-	-	-	-	-	-	-
R-A R1.20-6 2	H-01530-RI II-CS-002RH-SW-C7 RH-2085		1-ISI-CS-2 Elbow to Pipe	ISI AUG OWN PRE	-	-	-	-	-	-	-	-	-	-	-	-	-	-	-
R-A R1.20-6 2	H-01532-RI II-CS-002RH-SW-C8 RH-2085		1-ISI-CS-2 Pipe to Elbow	ISI AUG OWN PRE	-	-	-	-	-	-	-	-	-	-	-	-	-	-	-
R-A R1.20-6 2	H-01539-RI II-CS-002RH-SW-E3 RH-2085		1-ISI-CS-2 Pipe to Reducing Tee	ISI AUG OWN PRE	-	-	-	-	-	-	-	-	-	-	-	-	-	-	-
R-A R1.20-6 2	H-01541-RI II-CS-002RH-SW-E4 RH-2085		1-ISI-CS-2 Reducing Tee to Pipe	ISI AUG OWN PRE	-	-	-	-	-	-	-	-	-	-	-	-	-	-	-

Harris Nuclear Plant 3rd Interval

Category, Item No., Class	Summary No./CompID/System	Scope Method Procedure	Dwg/ISO No. Desc.	Comp. Code Case	Period 1		Period 2			Period 3	
					RFO-14	RFO-15	RFO-16	RFO-17	RFO-18	RFO-19	RFO-20
R-A	H-01543-RI		1-ISI-CS-2	ISI	-	-	-	-	-	-	-
R1.20-6	II-CS-002RH-SW-E5		Reducing Tee to Pipe	AUG	-	-	-	-	-	-	-
2	RH-2085			OWN	-	-	-	-	-	-	-
				PRE	-	-	-	-	-	-	-
R-A	H-01544-RI		1-ISI-CS-2	ISI	-	-	-	-	-	-	-
R1.20-6	II-CS-002RH-SW-E6		Pipe to Elbow	AUG	-	-	-	-	-	-	-
2	RH-2085			OWN	-	-	-	-	-	-	-
				PRE	-	-	-	-	-	-	-
R-A	H-01545-RI		1-ISI-CS-2	ISI	-	-	-	-	-	-	-
R1.20-6	II-CS-002RH-SW-E7		Elbow to Pipe	AUG	-	-	-	-	-	-	-
2	RH-2085			OWN	-	-	-	-	-	-	-
				PRE	-	-	-	-	-	-	-
R-A	H-01546-RI		1-ISI-CS-2	ISI	-	-	-	-	-	-	-
R1.20-6	II-CS-002RH-SW-E8		Pipe to Flange	AUG	-	-	-	-	-	-	-
2	RH-2085			OWN	-	-	-	-	-	-	-
				PRE	-	-	-	-	-	-	-
R-A	H-01547-RI		1-ISI-CS-2	ISI	-	-	-	-	-	-	-
R1.20-6	II-CS-002RH-SW-G3		Elbow to Pipe	AUG	-	-	-	-	-	-	-
2	RH-2085			OWN	-	-	-	-	-	-	-
				PRE	-	-	-	-	-	-	-
R-A	H-01549-RI		1-ISI-CS-2	ISI	-	-	-	-	-	-	-
R1.20-6	II-CS-002RH-SW-G4		Pipe to Elbow	AUG	-	-	-	-	-	-	-
2	RH-2085			OWN	-	-	-	-	-	-	-
				PRE	-	-	-	-	-	-	-
R-A	H-01553-RI		1-ISI-CS-6	ISI	-	-	-	-	-	-	-
R1.20-6	II-CS-006CS-141-2-SW-1		Pipe to Elbow	AUG	-	-	-	-	-	-	-
2	CS-2060			OWN	-	-	-	-	-	-	-
				PRE	-	-	-	-	-	-	-
R-A	H-01554-RI		1-ISI-CS-6	ISI	-	-	-	-	-	-	-
R1.20-6	II-CS-006CS-141-2-SW-2		Pipe to Pipe	AUG	-	-	-	-	-	-	-
2	CS-2060			OWN	-	-	-	-	-	-	-
				PRE	-	-	-	-	-	-	-
R-A	H-01555-RI		1-ISI-CS-6	ISI	-	-	-	-	-	-	-
R1.20-6	II-CS-006CS-144-1-SW-1		Pipe to Elbow	AUG	-	-	-	-	-	-	-
2	CS-2060			OWN	-	-	-	-	-	-	-
				PRE	-	-	-	-	-	-	-

Harris Nuclear Plant 3rd Interval

Category, Item No., Class	Summary No./CompID/System	Scope Method Procedure	Dwg/ISO No. Desc.	Comp. Code Case	Period 1		Period 2			Period 3	
					RFO-14	RFO-15	RFO-16	RFO-17	RFO-18	RFO-19	RFO-20
R-A	H-01556-RI		1-ISI-CS-6	ISI	-	-	-	-	-	-	-
R1.20-6	II-CS-006CS-144-3-SW-2		Elbow to Pipe	AUG	-	-	-	-	-	-	-
2	CS-2060			OWN	-	-	-	-	-	-	-
				PRE	-	-	-	-	-	-	-
R-A	H-01557-RI		1-ISI-CS-6	ISI	-	-	-	-	-	-	-
R1.20-6	II-CS-006CS-144-3-SW-3		Pipe to Pipe	AUG	-	-	-	-	-	-	-
2	CS-2060			OWN	-	-	-	-	-	-	-
				PRE	-	-	-	-	-	-	-
R-A	H-01558-RI		1-ISI-CS-6	ISI	-	-	-	-	-	-	-
R1.20-6	II-CS-006CS-146-1-SW-1		Pipe to Elbow	AUG	-	-	-	-	-	-	-
2	CS-2060			OWN	-	-	-	-	-	-	-
				PRE	-	-	-	-	-	-	-
R-A	H-01559-RI		1-ISI-CS-6	ISI	-	-	-	-	-	-	-
R1.20-6	II-CS-006CS-146-3-SW-1		Elbow to Pipe	AUG	-	-	-	-	-	-	-
2	CS-2060			OWN	-	-	-	-	-	-	-
				PRE	-	-	-	-	-	-	-
R-A	H-01560-RI		1-ISI-CS-6	ISI	-	-	-	-	-	-	-
R1.20-6	II-CS-006CS-146-3-SW-2		Pipe to Elbow	AUG	-	-	-	-	-	-	-
2	CS-2060			OWN	-	-	-	-	-	-	-
				PRE	-	-	-	-	-	-	-
R-A	H-01561-RI		1-ISI-CS-6	ISI	-	-	-	-	-	-	-
R1.20-6	II-CS-006CS-FW-102		Pipe to Valve	AUG	-	-	-	-	-	-	-
2	CS-2060			OWN	-	-	-	-	-	-	-
				PRE	-	-	-	-	-	-	-
R-A	H-01562-RI		1-ISI-CS-6	ISI	-	-	-	-	-	-	-
R1.20-6	II-CS-006CS-FW-103		Valve to Pipe	AUG	-	-	-	-	-	-	-
2	CS-2060			OWN	-	-	-	-	-	-	-
				PRE	-	-	-	-	-	-	-
R-A	H-01563-RI		1-ISI-CS-6	ISI	-	-	-	-	-	-	-
R1.20-6	II-CS-006CS-FW-104		Pipe to Valve	AUG	-	-	-	-	-	-	-
2	CS-2060			OWN	-	-	-	-	-	-	-
				PRE	-	-	-	-	-	-	-
R-A	H-01564-RI		1-ISI-CS-6	ISI	-	-	-	-	-	-	-
R1.20-6	II-CS-006CS-FW-105		Valve to Pipe	AUG	-	-	-	-	-	-	-
2	CS-2060			OWN	-	-	-	-	-	-	-
				PRE	-	-	-	-	-	-	-

Harris Nuclear Plant 3rd Interval

Category, Item No., Class	Summary No./CompID/System	Scope Method Procedure	Dwg/ISO No. Desc.	Comp. Code Case	Period 1		Period 2			Period 3		
					RFO-14	RFO-15	RFO-16	RFO-17	RFO-18	RFO-19	RFO-20	
R-A R1.20-6 2	H-01574-RI II-CS-006CS-FW-131 CS-2060		1-ISI-CS-6 Pipe to Valve	ISI AUG OWN PRE	-	-	-	-	-	-	-	-
R-A R1.20-6 2	H-01575-RI II-CS-006CS-FW-132 CS-2060		1-ISI-CS-6 Valve to Pipe	ISI AUG OWN PRE	-	-	-	-	-	-	-	-
R-A R1.20-6 2	H-01576-RI II-CS-006CS-FW-201 CS-2060		1-ISI-CS-6 Pipe to Valve	ISI AUG OWN PRE	-	-	-	-	-	-	-	-
R-A R1.20-6 2	H-01577-RI II-CS-006CS-FW-202 CS-2060		1-ISI-CS-6 Valve to Pipe	ISI AUG OWN PRE	-	-	-	-	-	-	-	-
R-A R1.20-6 2	H-01578-RI II-CS-006CS-SW-A3 CS-2060		1-ISI-CS-6 Flange to Reducer	ISI AUG OWN PRE	-	-	-	-	-	-	-	-
R-A R1.20-6 2	H-01579-RI II-CS-006CS-SW-A4 CS-2060		1-ISI-CS-6 Reducer to Pipe	ISI AUG OWN PRE	-	-	-	-	-	-	-	-
R-A R1.20-6 2	H-01580-RI II-CS-006CS-SW-A6 CS-2060		1-ISI-CS-6 Elbow to Pipe	ISI AUG OWN PRE	-	-	-	-	-	-	-	-
R-A R1.20-6 2	H-01581-RI II-CS-006CS-SW-C3 CS-2060		1-ISI-CS-6 Pipe to Elbow	ISI AUG OWN PRE	-	-	-	-	-	-	-	-
R-A R1.20-6 2	H-01582-RI II-CS-006CS-SW-D4 CS-2060		1-ISI-CS-6 Reducing Tee to Pipe	ISI AUG OWN PRE	-	-	-	-	-	-	-	-

Harris Nuclear Plant 3rd Interval

Category, Item No., Class	Summary No./CompID/System	Scope Method Procedure	Dwg/ISO No. Desc.	Comp. Code Case	Period 1		Period 2			Period 3	
					RFO-14	RFO-15	RFO-16	RFO-17	RFO-18	RFO-19	RFO-20
R-A	H-01592-RI		1-ISI-CS-7	ISI	-	-	-	-	-	-	-
R1.20-6	II-CS-007CS-145-3-SW-1		Elbow to Pipe	AUG	-	-	-	-	-	-	-
2	CS-2060			OWN	-	-	-	-	-	-	-
				PRE	-	-	-	-	-	-	-
R-A	H-01593-RI		1-ISI-CS-7	ISI	-	-	-	-	-	-	-
R1.20-6	II-CS-007CS-145-3-SW-2		Pipe to Pipe	AUG	-	-	-	-	-	-	-
2	CS-2060			OWN	-	-	-	-	-	-	-
				PRE	-	-	-	-	-	-	-
R-A	H-01594-RI		1-ISI-CS-7	ISI	-	-	-	-	-	-	-
R1.20-6	II-CS-007CS-145-3-SW-3		Pipe to Elbow	AUG	-	-	-	-	-	-	-
2	CS-2060			OWN	-	-	-	-	-	-	-
				PRE	-	-	-	-	-	-	-
R-A	H-01595-RI		1-ISI-CS-7	ISI	-	-	-	-	-	-	-
R1.20-6	II-CS-007CS-FW-203		Pipe to Valve	AUG	-	-	-	-	-	-	-
2	CS-2060			OWN	-	-	-	-	-	-	-
				PRE	-	-	-	-	-	-	-
R-A	H-01596-RI		1-ISI-CS-7	ISI	-	-	-	-	-	-	-
R1.20-6	II-CS-007CS-FW-204		Valve to Pipe	AUG	-	-	-	-	-	-	-
2	CS-2060			OWN	-	-	-	-	-	-	-
				PRE	-	-	-	-	-	-	-
R-A	H-01597-RI		1-ISI-CS-7	ISI	-	-	-	-	-	-	-
R1.20-6	II-CS-007CS-FW-205		Pipe to Valve	AUG	-	-	-	-	-	-	-
2	CS-2060			OWN	-	-	-	-	-	-	-
				PRE	-	-	-	-	-	-	-
R-A	H-01598-RI		1-ISI-CS-7	ISI	-	-	-	-	-	-	-
R1.20-6	II-CS-007CS-FW-92		Pipe to Valve	AUG	-	-	-	-	-	-	-
2	CS-2060			OWN	-	-	-	-	-	-	-
				PRE	-	-	-	-	-	-	-
R-A	H-01599-RI		1-ISI-CS-7	ISI	-	-	-	-	-	-	-
R1.20-6	II-CS-007CS-FW-93		Valve to Pipe	AUG	-	-	-	-	-	-	-
2	CS-2060			OWN	-	-	-	-	-	-	-
				PRE	-	-	-	-	-	-	-
R-A	H-01600-RI		1-ISI-CS-7	ISI	-	-	-	-	-	-	-
R1.20-6	II-CS-007CS-FW-94		Pipe to Valve	AUG	-	-	-	-	-	-	-
2	CS-2060			OWN	-	-	-	-	-	-	-
				PRE	-	-	-	-	-	-	-

Harris Nuclear Plant 3rd Interval

Category, Item No., Class	Summary No./CompID/System	Scope Method Procedure	Dwg/ISO No. Desc.	Comp. Code Case	Period 1		Period 2			Period 3									
					RFO-14	RFO-15	RFO-16	RFO-17	RFO-18	RFO-19	RFO-20								
R-A R1.20-6 2	H-01601-RI II-CS-007CS-FW-95 CS-2060		1-ISI-CS-7 Valve to Pipe	ISI AUG OWN PRE	-	-	-	-	-	-	-	-	-	-	-	-	-	-	-
R-A R1.20-6 2	H-01602-RI II-CS-007CS-FW-96 CS-2060		1-ISI-CS-7 Pipe to Reducer	ISI AUG OWN PRE	-	-	-	-	-	-	-	-	-	-	-	-	-	-	-
R-A R1.20-6 2	H-01603-RI II-CS-007CS-SW-A3 CS-2060		1-ISI-CS-7 Flange to Reducer	ISI AUG OWN PRE	-	-	-	-	-	-	-	-	-	-	-	-	-	-	-
R-A R1.20-6 2	H-01604-RI II-CS-007CS-SW-A4 CS-2060		1-ISI-CS-7 Reducer to Pipe	ISI AUG OWN PRE	-	-	-	-	-	-	-	-	-	-	-	-	-	-	-
R-A R1.20-6 2	H-01605-RI II-CS-007CS-SW-A6 CS-2060		1-ISI-CS-7 Elbow to Pipe	ISI AUG OWN PRE	-	-	-	-	-	-	-	-	-	-	-	-	-	-	-
R-A R1.20-6 2	H-01606-RI II-CS-007CS-SW-C5 CS-2060		1-ISI-CS-7 Pipe to Elbow	ISI AUG OWN PRE	-	-	-	-	-	-	-	-	-	-	-	-	-	-	-
R-A R1.20-6 2	H-01607-RI II-CS-007CS-SW-C6 CS-2060		1-ISI-CS-7 Pipe to Elbow	ISI AUG OWN PRE	-	-	-	-	-	-	-	-	-	-	-	-	-	-	-
R-A R1.20-6 2	H-01608-RI II-CS-007CS-SW-D3 CS-2060		1-ISI-CS-7 Tee to Pipe	ISI AUG OWN PRE	-	-	-	-	-	-	-	-	-	-	-	-	-	-	-
R-A R1.20-6 2	H-01611-RI II-CS-007CS-SW-D6 CS-2060		1-ISI-CS-7 Reducer to Tee	ISI AUG OWN PRE	-	-	-	-	-	-	-	-	-	-	-	-	-	-	-

Harris Nuclear Plant 3rd Interval

Category, Item No., Class	Summary No./CompID/System	Scope Method Procedure	Dwg/ISO No. Desc.	Comp. Code Case	Period 1		Period 2			Period 3	
					RFO-14	RFO-15	RFO-16	RFO-17	RFO-18	RFO-19	RFO-20
R-A	H-01646-RI		1-ISI-CS-21	ISI	-	-	-	-	-	-	-
R1.20-6	II-CS-021CS-FW-215		Valve to Pipe	AUG	-	-	-	-	-	-	-
2	CS-2060			OWN	-	-	-	-	-	-	-
				PRE	-	-	-	-	-	-	-
R-A	H-01647-RI		1-ISI-CS-21	ISI	-	-	-	-	-	-	-
R1.20-6	II-CS-021CS-FW-216		Tee to Pipe	AUG	-	-	-	-	-	-	-
2	CS-2060			OWN	-	-	-	-	-	-	-
				PRE	-	-	-	-	-	-	-
R-A	H-01649-RI		1-ISI-CS-21	ISI	-	-	-	-	-	-	-
R1.20-6	II-CS-021CS-FW-220		Pipe to Pipe	AUG	-	-	-	-	-	-	-
2	CS-2060			OWN	-	-	-	-	-	-	-
				PRE	-	-	-	-	-	-	-
R-A	H-01650-RI		1-ISI-CS-21	ISI	-	-	-	-	-	-	-
R1.20-6	II-CS-021CS-FW-221		Pipe to Tee	AUG	-	-	-	-	-	-	-
2	CS-2060			OWN	-	-	-	-	-	-	-
				PRE	-	-	-	-	-	-	-
R-A	H-01651-RI		1-ISI-CS-21	ISI	-	-	-	-	-	-	-
R1.20-6	II-CS-021CS-FW-222		Valve to Pipe	AUG	-	-	-	-	-	-	-
2	CS-2060			OWN	-	-	-	-	-	-	-
				PRE	-	-	-	-	-	-	-
R-A	H-01654-RI		1-ISI-CS-21	ISI	-	-	-	-	-	-	-
R1.20-6	II-CS-021CS-SW-C3		Pipe to Pipe	AUG	-	-	-	-	-	-	-
2	CS-2060			OWN	-	-	-	-	-	-	-
				PRE	-	-	-	-	-	-	-
R-A	H-01657-RI		1-ISI-CS-21	ISI	-	-	-	-	-	-	-
R1.20-6	II-CS-021CS-SW-C4		Elbow to Pipe	AUG	-	-	-	-	-	-	-
2	CS-2060			OWN	-	-	-	-	-	-	-
				PRE	-	-	-	-	-	-	-
R-A	H-01659-RI		1-ISI-CS-21	ISI	-	-	-	-	-	-	-
R1.20-6	II-CS-021CS-SW-C5		Pipe to Elbow	AUG	-	-	-	-	-	-	-
2	CS-2060			OWN	-	-	-	-	-	-	-
				PRE	-	-	-	-	-	-	-
R-A	H-01661-RI		1-ISI-CS-21	ISI	-	-	-	-	-	-	-
R1.20-6	II-CS-021CS-SW-C6		Reducer to Pipe	AUG	-	-	-	-	-	-	-
2	CS-2060			OWN	-	-	-	-	-	-	-
				PRE	-	-	-	-	-	-	-

Harris Nuclear Plant 3rd Interval

Category, Item No., Class	Summary No./ComplID/System	Scope Method Procedure	Dwg/ISO No. Desc.	Comp. Code Case	Period 1		Period 2			Period 3	
					RFO-14	RFO-15	RFO-16	RFO-17	RFO-18	RFO-19	RFO-20
R-A R1.20-6 2	H-01663-RI II-CS-021CS-SW-D3 CS-2060		1-ISI-CS-21 Pipe to Tee	ISI AUG OWN PRE	- - - -	- - - -	- - - -	- - - -	- - - -	- - - -	- - - -
R-A R1.20-6 2	H-01665-RI II-CS-021CS-SW-D4 CS-2060		1-ISI-CS-21 Tee to Pipe	ISI AUG OWN PRE	- - - -	- - - -	- - - -	- - - -	- - - -	- - - -	- - - -
R-A R1.20-6 2	H-01667-RI II-CS-021CS-SW-D5 CS-2060		1-ISI-CS-21 Pipe to Tee	ISI AUG OWN PRE	- - - -	- - - -	- - - -	- - - -	- - - -	- - - -	- - - -
R-A R1.20-6 2	H-01669-RI II-CS-021CS-SW-D6 CS-2060		1-ISI-CS-21 Pipe to Tee	ISI AUG OWN PRE	- - - -	- - - -	- - - -	- - - -	- - - -	- - - -	- - - -
R-A R1.20-6 2	H-01671-RI II-CS-021CS-SW-D7 CS-2060		1-ISI-CS-21 Pipe to Tee	ISI AUG OWN PRE	- - - -	- - - -	- - - -	- - - -	- - - -	- - - -	- - - -
R-A R1.20-6 2	H-01673-RI II-CS-021CS-SW-D8 CS-2060		1-ISI-CS-21 Elbow to Pipe	ISI AUG OWN PRE	- - - -	- - - -	- - - -	- - - -	- - - -	- - - -	- - - -
R-A R1.20-6 2	H-01675-RI II-CS-021CS-SW-E3 CS-2060		1-ISI-CS-21 Pipe to Elbow	ISI AUG OWN PRE	- - - -	- - - -	- - - -	- - - -	- - - -	- - - -	- - - -
R-A R1.20-6 2	H-01676-RI II-CS-021CS-SW-E4 CS-2060		1-ISI-CS-21 Elbow to Pipe	ISI AUG OWN PRE	- - - -	- - - -	- - - -	- - - -	- - - -	- - - -	- - - -
R-A R1.20-6 2	H-01677-RI II-CS-021CS-SW-F10 CS-2060		1-ISI-CS-21 Pipe to Flange	ISI AUG OWN PRE	- - - -	- - - -	- - - -	- - - -	- - - -	- - - -	- - - -

Harris Nuclear Plant 3rd Interval

Category, Item No., Class	Summary No./CompID/System	Scope Method Procedure	Dwg/ISO No. Desc.	Comp. Code Case	Period 1		Period 2			Period 3	
					RFO-14	RFO-15	RFO-16	RFO-17	RFO-18	RFO-19	RFO-20
R-A R1.20-6 2	H-01922-RI II-CT-001CT-SW-F3 CT-2070		1-ISI-CT-1 Pipe to Elbow	ISI AUG OWN PRE	-	-	-	-	-	-	-
R-A R1.20-6 2	H-01923-RI II-CT-001CT-SW-F4 CT-2070		1-ISI-CT-1 Elbow to Pipe	ISI AUG OWN PRE	-	-	-	-	-	-	-
R-A R1.20-6 2	H-01924-RI II-CT-001CT-SW-F5 CT-2070		1-ISI-CT-1 Pipe to Elbow	ISI AUG OWN PRE	-	-	-	-	-	-	-
R-A R1.20-6 2	H-01925-RI II-CT-001CT-SW-F6 CT-2070		1-ISI-CT-1 Elbow to Pipe	ISI AUG OWN PRE	-	-	-	-	-	-	-
R-A R1.20-6 2	H-01926-RI II-CT-001CT-SW-G3 CT-2070		1-ISI-CT-1 Elbow to Pipe	ISI AUG OWN PRE	-	-	-	-	-	-	-
R-A R1.20-6 2	H-01927-RI II-CT-001CT-SW-G4 CT-2070		1-ISI-CT-1 Pipe to Elbow	ISI AUG OWN PRE	-	-	-	-	-	-	-
R-A R1.20-6 2	H-01935-RI II-CT-002CT-1-3-SW-2 CT-2070		1-ISI-CT-2 Tee, Reducing to Pipe	ISI AUG OWN PRE	-	-	-	-	-	-	-
R-A R1.20-6 2	H-01936-RI II-CT-002CT-1-3-SW-3 CT-2070		1-ISI-CT-2 Elbow to Pipe	ISI AUG OWN PRE	-	-	-	-	-	-	-
R-A R1.20-6 2	H-01937-RI II-CT-002CT-1-3-SW-4 CT-2070		1-ISI-CT-2 Pipe to Elbow	ISI AUG OWN PRE	-	-	-	-	-	-	-

Harris Nuclear Plant 3rd Interval

Category, Item No., Class	Summary No./CompID/System	Scope Method Procedure	Dwg/ISO No. Desc.	Comp. Code Case	Period 1		Period 2			Period 3	
					RFO-14	RFO-15	RFO-16	RFO-17	RFO-18	RFO-19	RFO-20
R-A	H-02438-RI		1-ISI-MS-3	ISI	-	-	-	-	-	-	-
R1.20-6	II-FMR-01MS-FW-227		Piping Bend to Piping Bend	AUG	-	-	-	-	-	-	-
2	MS-3020			OWN	-	-	-	-	-	-	-
				PRE	-	-	-	-	-	-	-
R-A	H-02439-RI		1-ISI-MS-3	ISI	-	-	-	-	-	-	-
R1.20-6	II-FMR-01MS-FW-228		Pipe to Elbow	AUG	-	-	-	-	-	-	-
2	MS-3020			OWN	-	-	-	-	-	-	-
				PRE	-	-	-	-	-	-	-
R-A	H-02442-RI		1-ISI-MS-3	ISI	-	-	-	-	-	-	-
R1.20-6	II-FMR-01MS-FW-229		Pipe to Flued Head	AUG	-	-	-	-	-	-	-
2	MS-3020			OWN	-	-	-	-	-	-	-
				PRE	-	-	-	-	-	-	-
R-A	H-02443-RI		1-ISI-MS-3	ISI	-	-	-	-	-	-	-
R1.20-6	II-FMR-01MS-FW-291		Pipe to Elbow	AUG	-	-	-	-	-	-	-
2	MS-3020			OWN	-	-	-	-	-	-	-
				PRE	-	-	-	-	-	-	-
R-A	H-02446-RI		1-ISI-MS-3	ISI	-	-	-	-	-	-	-
R1.20-6	II-FMR-01MS-FW-292		Elbow to Pipe	AUG	-	-	-	-	-	-	-
2	MS-3020			OWN	-	-	-	-	-	-	-
				PRE	-	-	-	-	-	-	-
R-A	H-02449-RI		1-ISI-MS-3	ISI	-	-	-	-	-	-	-
R1.20-6	II-FMR-01MS-FW-293		Nozzle to Elbow	AUG	-	-	-	-	-	-	-
2	MS-3020			OWN	-	-	-	-	-	-	-
				PRE	-	-	-	-	-	-	-
R-A	H-02454-RI		1-ISI-MS-3	ISI	-	-	-	-	-	-	-
R1.20-6	II-FMR-01MS-M3-PW-1		Flued Head to Pipe	AUG	-	-	-	-	-	-	-
2	MS-3020			OWN	-	-	-	-	-	-	-
				PRE	-	-	-	-	-	-	-
R-A	H-02455-RI		1-ISI-MS-3	ISI	-	-	-	-	-	-	-
R1.20-6	II-FMR-01MS-SW-A13		Pipe.to Pipe	AUG	-	-	-	-	-	-	-
2	MS-3020			OWN	-	-	-	-	-	-	-
				PRE	-	-	-	-	-	-	-
R-A	H-02456-RI		1-ISI-MS-3	ISI	-	-	-	-	-	-	-
R1.20-6	II-FMR-01MS-SW-A3		Elbow to Pipe	AUG	-	-	-	-	-	-	-
2	MS-3020			OWN	-	-	-	-	-	-	-
				PRE	-	-	-	-	-	-	-

Harris Nuclear Plant 3rd Interval

Category, Item No., Class	Summary No./CompID/System	Scope Method Procedure	Dwg/ISO No. Desc.	Comp. Code Case	Period 1		Period 2			Period 3	
					RFO-14	RFO-15	RFO-16	RFO-17	RFO-18	RFO-19	RFO-20
R-A	H-02459-RI		1-ISI-MS-3	ISI	-	-	-	-	-	-	-
R1.20-6	II-FMR-01MS-SW-A4		Pipe to Elbow	AUG	-	-	-	-	-	-	-
2	MS-3020			OWN	-	-	-	-	-	-	-
				PRE	-	-	-	-	-	-	-
R-A	H-02463-RI		1-ISI-MS-3	ISI	-	-	-	-	-	-	-
R1.20-6	II-FMR-01MS-SW-B6		Pipe to Pipe	AUG	-	-	-	-	-	-	-
2	MS-3020			OWN	-	-	-	-	-	-	-
				PRE	-	-	-	-	-	-	-
R-A	H-02464-RI		1-ISI-MS-3	ISI	-	-	-	-	-	-	-
R1.20-6	II-FMR-01MS-SW-C11		Piping Bend to Piping Bend	AUG	-	-	-	-	-	-	-
2	MS-3020			OWN	-	-	-	-	-	-	-
				PRE	-	-	-	-	-	-	-
R-A	H-02465-RI		1-ISI-MS-3	ISI	-	-	-	-	-	-	-
R1.20-6	II-FMR-01MS-SW-C5		Elbow to Piping Bend	AUG	-	-	-	-	-	-	-
2	MS-3020			OWN	-	-	-	-	-	-	-
				PRE	-	-	-	-	-	-	-
R-A	H-02468-RI		1-ISI-MS-3	ISI	-	-	-	-	-	-	-
R1.20-6	II-FMR-01MS-SW-D7		Piping Bend to Pipe	AUG	-	-	-	-	-	-	-
2	MS-3020			OWN	-	-	-	-	-	-	-
				PRE	-	-	-	-	-	-	-
R-A	H-02469-RI		1-ISI-MS-3	ISI	-	-	-	-	-	-	-
R1.20-6	II-FMR-01MS-SW-E3		Elbow to Pipe	AUG	-	-	-	-	-	-	-
2	MS-3020			OWN	-	-	-	-	-	-	-
				PRE	-	-	-	-	-	-	-
R-A	H-02505-RI		1-ISI-FW-6	ISI	-	-	-	-	-	-	-
R1.20-6	II-FMR-02FW-FW-1		Pipe to Pipe	AUG	-	-	-	-	-	-	-
2	FW-3050			OWN	-	-	-	-	-	-	-
				PRE	-	-	-	-	-	-	-
R-A	H-02507-RI		1-ISI-FW-6	ISI	-	-	-	-	-	-	-
R1.20-6	II-FMR-02FW-FW-2		Pipe to Elbow	AUG	-	-	-	-	-	-	-
2	FW-3050			OWN	-	-	-	-	-	-	-
				PRE	-	-	-	-	-	-	-
R-A	H-02508-RI		1-ISI-FW-6	ISI	-	-	-	-	-	-	-
R1.20-6	II-FMR-02FW-FW-3		Elbow to Pipe	AUG	-	-	-	-	-	-	-
2	FW-3050			OWN	-	-	-	-	-	-	-
				PRE	-	-	-	-	-	-	-

Harris Nuclear Plant 3rd Interval

Category, Item No., Class	Summary No./CompID/System	Scope Method Procedure	Dwg/ISO No. Desc.	Comp. Code Case	Period 1		Period 2			Period 3	
					RFO-14	RFO-15	RFO-16	RFO-17	RFO-18	RFO-19	RFO-20
R-A	H-02622-RI		1-ISI-MS-5	ISI	-	-	-	-	-	-	-
R1.20-6	II-FMR-03MS-SW-F3		Elbow to Pipe	AUG	-	-	-	-	-	-	-
2	MS-3020			OWN	-	-	-	-	-	-	-
				PRE	-	-	-	-	-	-	-
R-A	H-02708-RI		1-ISI-FW-2	ISI	-	-	-	-	-	-	-
R1.20-6	II-FW-002AF-13-FW-258		Pipe to Reducer	AUG	-	-	-	-	-	-	-
2	AF-3065			OWN	-	-	-	-	-	-	-
				PRE	-	-	-	-	-	-	-
R-A	H-02709-RI		1-ISI-FW-2	ISI	-	-	-	-	-	-	-
R1.20-6	II-FW-002AF-16-1-FW-263		Pipe to Pipe	AUG	-	-	-	-	-	-	-
2	AF-3065			OWN	-	-	-	-	-	-	-
				PRE	-	-	-	-	-	-	-
R-A	H-02710-RI		1-ISI-FW-2	ISI	-	-	-	-	-	-	-
R1.20-6	II-FW-002AF-16-2-FW-261		Elbow to Pipe	AUG	-	-	-	-	-	-	-
2	AF-3065			OWN	-	-	-	-	-	-	-
				PRE	-	-	-	-	-	-	-
R-A	H-02711-RI		1-ISI-FW-2	ISI	-	-	-	-	-	-	-
R1.20-6	II-FW-002AF-16-2-FW-262		Pipe to Elbow	AUG	-	-	-	-	-	-	-
2	AF-3065			OWN	-	-	-	-	-	-	-
				PRE	-	-	-	-	-	-	-
R-A	H-02712-RI		1-ISI-FW-2	ISI	-	-	-	-	-	-	-
R1.20-6	II-FW-002AF-16-2-SW-2		Pipe to Pipe	AUG	-	-	-	-	-	-	-
2	AF-3065			OWN	-	-	-	-	-	-	-
				PRE	-	-	-	-	-	-	-
R-A	H-02713-RI		1-ISI-FW-2	ISI	-	-	-	-	-	-	-
R1.20-6	II-FW-002AF-FW-260		Pipe to Penetration	AUG	-	-	-	-	-	-	-
2	AF-3065			OWN	-	-	-	-	-	-	-
				PRE	-	-	-	-	-	-	-
R-A	H-02741-RI		1-ISI-FW-3	ISI	-	-	-	-	-	-	-
R1.20-6	II-FW-003AF-14-FW-268		Valve to Pipe	AUG	-	-	-	-	-	-	-
2	AF-3065			OWN	-	-	-	-	-	-	-
				PRE	-	-	-	-	-	-	-
R-A	H-02742-RI		1-ISI-FW-3	ISI	-	-	-	-	-	-	-
R1.20-6	II-FW-003AF-17-1-FW-270		Pipe to Elbow	AUG	-	-	-	-	-	-	-
2	AF-3065			OWN	-	-	-	-	-	-	-
				PRE	-	-	-	-	-	-	-

Harris Nuclear Plant 3rd Interval

Category, Item No., Class	Summary No./CompID/System	Scope Method Procedure	Dwg/ISO No. Desc.	Comp. Code Case	Period 1		Period 2			Period 3	
					RFO-14	RFO-15	RFO-16	RFO-17	RFO-18	RFO-19	RFO-20
R-A	H-02849-RI		1-ISI-MS-1 S03	ISI	-	-	-	-	-	-	-
R1.20-6	II-MS-001MS-FW-283		Pipe to Valve	AUG	-	-	-	-	-	-	-
2	MS-3020			OWN	-	-	-	-	-	-	-
				PRE	-	-	-	-	-	-	-
R-A	H-02851-RI		1-ISI-MS-1 S03	ISI	-	-	-	-	-	-	-
R1.20-6	II-MS-001MS-FW-284		Pipe to Pipe	AUG	-	-	-	-	-	-	-
2	MS-3020			OWN	-	-	-	-	-	-	-
				PRE	-	-	-	-	-	-	-
R-A	H-02852-RI		1-ISI-MS-1 S02	ISI	-	-	-	-	-	-	-
R1.20-6	II-MS-001MS-FW-285		Pipe to Pipe	AUG	-	-	-	-	-	-	-
2	MS-3020			OWN	-	-	-	-	-	-	-
				PRE	-	-	-	-	-	-	-
R-A	H-02853-RI		1-ISI-MS-1 S02	ISI	-	-	-	-	-	-	-
R1.20-6	II-MS-001MS-FW-286		Pipe to Valve	AUG	-	-	-	-	-	-	-
2	MS-3020			OWN	-	-	-	-	-	-	-
				PRE	-	-	-	-	-	-	-
R-A	H-02856-RI		1-ISI-MS-1 S01	ISI	-	-	-	-	-	-	-
R1.20-6	II-MS-001MS-FW-301		Pipe to Pipe	AUG	-	-	-	-	-	-	-
2	MS-3020			OWN	-	-	-	-	-	-	-
				PRE	-	-	-	-	-	-	-
R-A	H-02857-RI		1-ISI-MS-1 S01	ISI	-	-	-	-	-	-	-
R1.20-6	II-MS-001MS-FW-302		Pipe to Valve	AUG	-	-	-	-	-	-	-
2	MS-3020			OWN	-	-	-	-	-	-	-
				PRE	-	-	-	-	-	-	-
R-A	H-02860-RI		1-ISI-MS-1 S03	ISI	-	-	-	-	-	-	-
R1.20-6	II-MS-001MS-SW-A11		Pipe to Weld in Nozzle Flange	AUG	-	-	-	-	-	-	-
2	MS-3020			OWN	-	-	-	-	-	-	-
				PRE	-	-	-	-	-	-	-
R-A	H-02861-RI		1-ISI-MS-1 S03	ISI	-	-	-	-	-	-	-
R1.20-6	II-MS-001MS-SW-A12		Pipe to Weld in Nozzle Flange	AUG	-	-	-	-	-	-	-
2	MS-3020			OWN	-	-	-	-	-	-	-
				PRE	-	-	-	-	-	-	-
R-A	H-02862-RI		1-ISI-MS-1 S03	ISI	-	-	-	-	-	-	-
R1.20-6	II-MS-001MS-SW-A13		Pipe to Weld in Nozzle Flange	AUG	-	-	-	-	-	-	-
2	MS-3020			OWN	-	-	-	-	-	-	-
				PRE	-	-	-	-	-	-	-

Harris Nuclear Plant 3rd Interval

Category, Item No., Class	Summary No./CompID/System	Scope Method Procedure	Dwg/ISO No. Desc.	Comp. Code Case	Period 1		Period 2			Period 3		
					RFO-14	RFO-15	RFO-16	RFO-17	RFO-18	RFO-19	RFO-20	
R-A R1.20-6 2	H-02875-RI II-MS-001MS-SW-B13 MS-3020		1-ISI-MS-1 S02 Pipe to Weld in Nozzle Flange	ISI AUG OWN PRE	-	-	-	-	-	-	-	-
R-A R1.20-6 2	H-02876-RI II-MS-001MS-SW-B14 MS-3020		1-ISI-MS-1 S02 Pipe to Weld in Nozzle Flange	ISI AUG OWN PRE	-	-	-	-	-	-	-	-
R-A R1.20-6 2	H-02877-RI II-MS-001MS-SW-B15 MS-3020		1-ISI-MS-1 S02 Pipe to Weld in Nozzle Flange	ISI AUG OWN PRE	-	-	-	-	-	-	-	-
R-A R1.20-6 2	H-02879-RI II-MS-001MS-SW-B3 MS-3020		1-ISI-MS-1 S02 Pipe to Pipe	ISI AUG OWN PRE	-	-	-	-	-	-	-	-
R-A R1.20-6 2	H-02880-RI II-MS-001MS-SW-B30 MS-3020		1-ISI-MS-1 S02 Pipe Extrusion to Pipe	ISI AUG OWN PRE	-	-	-	-	-	-	-	-
R-A R1.20-6 2	H-02881-RI II-MS-001MS-SW-B34 MS-3020		1-ISI-MS-1 S02 Pipe Extrusion to Pipe	ISI AUG OWN PRE	-	-	-	-	-	-	-	-
R-A R1.20-6 2	H-02882-RI II-MS-001MS-SW-B35 MS-3020		1-ISI-MS-1 S02 Pipe to Pipe	ISI AUG OWN PRE	-	-	-	-	-	-	-	-
R-A R1.20-6 2	H-02884-RI II-MS-001MS-SW-B4 MS-3020		1-ISI-MS-1 S02 Pipe Extrusion to Pipe	ISI AUG OWN PRE	-	-	-	-	-	-	-	-
R-A R1.20-6 2	H-02885-RI II-MS-001MS-SW-B5 MS-3020	ISI/UT/NDEP-0437	1-ISI-MS-1 S02 Pipe to Cap	ISI AUG OWN PRE	-	-	-	s	-	-	-	-

Harris Nuclear Plant 3rd Interval

Category, Item No., Class	Summary No./CompID/System	Scope Method Procedure	Dwg/ISO No. Desc.	Comp. Code Case	Period 1		Period 2			Period 3		
					RFO-14	RFO-15	RFO-16	RFO-17	RFO-18	RFO-19	RFO-20	
R-A R1.20-6 2	H-02898-RI II-MS-001MS-SW-C4 MS-3020		1-ISI-MS-1 S01 Pipe Extrusion to Pipe	ISI AUG OWN PRE	-	-	-	-	-	-	-	-
R-A R1.20-6 2	H-02899-RI II-MS-001MS-SW-C5 MS-3020	ISI/UT/NDEP-0425	1-ISI-MS-1 S01 Pipe to Cap	ISI AUG OWN PRE	-	-	-	-	-	s	-	-
R-A R1.20-6 2	H-02927-RI II-MS-002MS-FW-565 MS-3020		1-ISI-MS-2 S01 Pipe to Elbow	ISI AUG OWN PRE	-	-	-	-	-	-	-	-
R-A R1.20-6 2	H-02928-RI II-MS-002MS-FW-566 MS-3020		1-ISI-MS-2 S01 Pipe to Valve	ISI AUG OWN PRE	-	-	-	-	-	-	-	-
R-A R1.20-6 2	H-02929-RI II-MS-002MS-FW-567 MS-3020		1-ISI-MS-2 S01 Valve to Pipe	ISI AUG OWN PRE	-	-	-	-	-	-	-	-
R-A R1.20-6 2	H-02930-RI II-MS-002MS-FW-568 MS-3020		1-ISI-MS-2 S01 Pipe to Valve	ISI AUG OWN PRE	-	-	-	-	-	-	-	-
R-A R1.20-6 2	H-02931-RI II-MS-002MS-FW-680 MS-3020		1-ISI-MS-2 S02 Pipe to Elbow	ISI AUG OWN PRE	-	-	-	-	-	-	-	-
R-A R1.20-6 2	H-02932-RI II-MS-002MS-FW-681 MS-3020		1-ISI-MS-2 S02 Pipe to Valve	ISI AUG OWN PRE	-	-	-	-	-	-	-	-
R-A R1.20-6 2	H-02933-RI II-MS-002MS-FW-682 MS-3020		1-ISI-MS-2 S02 Valve to Pipe	ISI AUG OWN PRE	-	-	-	-	-	-	-	-

Harris Nuclear Plant 3rd Interval

Category, Item No., Class	Summary No./CompID/System	Scope Method Procedure	Dwg/ISO No. Desc.	Comp. Code Case	Period 1		Period 2			Period 3	
					RFO-14	RFO-15	RFO-16	RFO-17	RFO-18	RFO-19	RFO-20
R-A R1.20-6 2	H-02934-RI II-MS-002MS-FW-683 MS-3020		1-ISI-MS-2 S02 Pipe to Valve	ISI AUG OWN PRE	- - - -	- - - -	- - - -	- - - -	- - - -	- - - -	- - - -
R-A R1.20-6 2	H-02935-RI II-MS-002MS-FW-690 MS-3020		1-ISI-MS-2 S01 Pipe to Valve	ISI AUG OWN PRE	- - - -	- - - -	- - - -	- - - -	- - - -	- - - -	- - - -
R-A R1.20-6 2	H-02936-RI II-MS-002MS-FW-691 MS-3020		1-ISI-MS-2 S01 Valve to Pipe	ISI AUG OWN PRE	- - - -	- - - -	- - - -	- - - -	- - - -	- - - -	- - - -
R-A R1.20-6 2	H-02937-RI II-MS-002MS-FW-692 MS-3020		1-ISI-MS-2 S01 Pipe to Valve	ISI AUG OWN PRE	- - - -	- - - -	- - - -	- - - -	- - - -	- - - -	- - - -
R-A R1.20-6 2	H-02938-RI II-MS-002MS-FW-693 MS-3020	ISI/UT/NDEP-0437	1-ISI-MS-2 S01 Pipe to Elbow	ISI AUG OWN PRE	- s - -	- - - -	- - - -	- - - -	- - - -	- - - -	- - - -
R-A R1.20-6 2	H-02939-RI II-MS-002MS-SW-A3 MS-3020	ISI/UT/NDEP-0437	1-ISI-MS-2 S01 Elbow to Pipe	ISI AUG OWN PRE	- s - -	- - - -	- - - -	- - - -	- - - -	- - - -	- - - -
R-A R1.20-6 2	H-02940-RI II-MS-002MS-SW-C3 MS-3020		1-ISI-MS-2 S01 Elbow to Pipe	ISI AUG OWN PRE	- - - -	- - - -	- - - -	- - - -	- - - -	- - - -	- - - -
R-A R1.20-6 2	H-02941-RI II-MS-002MS-SW-E3 MS-3020		1-ISI-MS-2 S02 Elbow to Pipe	ISI AUG OWN PRE	- - - -	- - - -	- - - -	- - - -	- - - -	- - - -	- - - -
R-A R1.20-6 2	H-02942-RI II-MS-007MS-96-FW-101 MS-3020		1-ISI-MS-7 Pipe to Valve	ISI AUG OWN PRE	- - - -	- - - -	- - - -	- - - -	- - - -	- - - -	- - - -

Harris Nuclear Plant 3rd Interval

Category, Item No., Class	Summary No./CompID/System	Scope Method Procedure	Dwg/ISO No. Desc.	Comp. Code Case	Period 1		Period 2			Period 3	
					RFO-14	RFO-15	RFO-16	RFO-17	RFO-18	RFO-19	RFO-20
R-A	H-02943-RI		1-ISI-MS-7	ISI	-	-	-	-	-	-	-
R1.20-6	II-MS-007MS-FW-563		Pipe to Valve	AUG	-	-	-	-	-	-	-
2	MS-3020			OWN	-	-	-	-	-	-	-
				PRE	-	-	-	-	-	-	-
R-A	H-02944-RI		1-ISI-MS-7	ISI	-	-	-	-	-	-	-
R1.20-6	II-MS-007MS-FW-564		Pipe to Elbow	AUG	-	-	-	-	-	-	-
2	MS-3020			OWN	-	-	-	-	-	-	-
				PRE	-	-	-	-	-	-	-
R-A	H-02945-RI		1-ISI-MS-7	ISI	-	-	-	-	-	-	-
R1.20-6	II-MS-007MS-FW-679		Pipe to Elbow	AUG	-	-	-	-	-	-	-
2	MS-3020			OWN	-	-	-	-	-	-	-
				PRE	-	-	-	-	-	-	-
R-A	H-02946-RI		1-ISI-MS-7	ISI	-	-	-	-	-	-	-
R1.20-6	II-MS-007MS-SW-A3		Elbow to Pipe	AUG	-	-	-	-	-	-	-
2	MS-3020			OWN	-	-	-	-	-	-	-
				PRE	-	-	-	-	-	-	-
R-A	H-02947-RI		1-ISI-MS-7	ISI	-	-	-	-	-	-	-
R1.20-6	II-MS-007MS-SW-B3		Elbow to Pipe	AUG	-	-	-	-	-	-	-
2	MS-3020			OWN	-	-	-	-	-	-	-
				PRE	-	-	-	-	-	-	-
R-A	H-03236-RI		1-ISI-RH-1	ISI	-	-	-	-	-	-	-
R1.20-6	II-RH-001RH-2-2-SW-1		Pipe to Pipe	AUG	-	-	-	-	-	-	-
2	RH-2085			OWN	-	-	-	-	-	-	-
				PRE	-	-	-	-	-	-	-
R-A	H-03239-RI		1-ISI-RH-1	ISI	-	-	-	-	-	-	-
R1.20-6	II-RH-001RH-24-1-SW-1		Pipe to Pipe	AUG	-	-	-	-	-	-	-
2	RH-2085			OWN	-	-	-	-	-	-	-
				PRE	-	-	-	-	-	-	-
R-A	H-03242-RI		1-ISI-RH-1	ISI	-	-	-	-	-	-	-
R1.20-6	II-RH-001RH-24-1-SW-2		Pipe to Pipe	AUG	-	-	-	-	-	-	-
2	RH-2085			OWN	-	-	-	-	-	-	-
				PRE	-	-	-	-	-	-	-
R-A	H-03245-RI		1-ISI-RH-1	ISI	-	-	-	-	-	-	-
R1.20-6	II-RH-001RH-2-5-SW-1		Pipe to Pipe	AUG	-	-	-	-	-	-	-
2	RH-2085			OWN	-	-	-	-	-	-	-
				PRE	-	-	-	-	-	-	-

Harris Nuclear Plant 3rd Interval

Category, Item No., Class	Summary No./CompID/System	Scope Method Procedure	Dwg/ISO No. Desc.	Comp. Code Case	Period 1		Period 2			Period 3									
					RFO-14	RFO-15	RFO-16	RFO-17	RFO-18	RFO-19	RFO-20								
R-A R1.20-6 2	H-03248-RI II-RH-001RH-FW-3 RH-2085		1-ISI-RH-1 Flued Head to Piping Bend	ISI AUG OWN PRE	-	-	-	-	-	-	-	-	-	-	-	-	-	-	-
R-A R1.20-6 2	H-03250-RI II-RH-001RH-FW-4 RH-2085		1-ISI-RH-1 Pipe to Elbow	ISI AUG OWN PRE	-	-	-	-	-	-	-	-	-	-	-	-	-	-	-
R-A R1.20-6 2	H-03252-RI II-RH-001RH-FW-5 RH-2085		1-ISI-RH-1 Pipe to Pipe	ISI AUG OWN PRE	-	-	-	-	-	-	-	-	-	-	-	-	-	-	-
R-A R1.20-6 2	H-03255-RI II-RH-001RH-FW-6 RH-2085		1-ISI-RH-1 Elbow to Pipe	ISI AUG OWN PRE	-	-	-	-	-	-	-	-	-	-	-	-	-	-	-
R-A R1.20-6 2	H-03256-RI II-RH-001RH-FW-68 RH-2085		1-ISI-RH-1 Outlet Nozzle 1A to Reducer	ISI AUG OWN PRE	-	-	-	-	-	-	-	-	-	-	-	-	-	-	-
R-A R1.20-6 2	H-03257-RI II-RH-001RH-FW-69 RH-2085		1-ISI-RH-1 Pipe to Elbow	ISI AUG OWN PRE	-	-	-	-	-	-	-	-	-	-	-	-	-	-	-
R-A R1.20-6 2	H-03260-RI II-RH-001RH-FW-7 RH-2085		1-ISI-RH-1 Elbow to Pipe	ISI AUG OWN PRE	-	-	-	-	-	-	-	-	-	-	-	-	-	-	-
R-A R1.20-6 2	H-03262-RI II-RH-001RH-FW-8 RH-2085		1-ISI-RH-1 Elbow to Nozzle 1A	ISI AUG OWN PRE	-	-	-	-	-	-	-	-	-	-	-	-	-	-	-
R-A R1.20-6 2	H-03266-RI II-RH-001RH-SW-A3 RH-2085	ISI/VT/NDEP-0611	1-ISI-RH-1 Elbow to Pipe	ISI AUG OWN PRE	c	-	-	-	-	-	-	-	-	-	-	-	-	-	-

Harris Nuclear Plant 3rd Interval

Category, Item No., Class	Summary No./CompID/System	Scope Method Procedure	Dwg/ISO No. Desc.	Comp. Code Case	Period 1		Period 2			Period 3	
					RFO-14	RFO-15	RFO-16	RFO-17	RFO-18	RFO-19	RFO-20
R-A R1.20-6 2	H-03268-RI II-RH-001RH-SW-A4 RH-2085		1-ISI-RH-1 Piping Bend to Elbow	ISI AUG OWN PRE	-	-	-	-	-	-	-
R-A R1.20-6 2	H-03270-RI II-RH-001RH-SW-A8 RH-2085		1-ISI-RH-1 Pipe to Pipe	ISI AUG OWN PRE	-	-	-	-	-	-	-
R-A R1.20-6 2	H-03273-RI II-RH-001RH-SW-B17 RH-2085		1-ISI-RH-1 Pipe to Pipe	ISI AUG OWN PRE	-	-	-	-	-	-	-
R-A R1.20-6 2	H-03276-RI II-RH-001RH-SW-B6 RH-2085		1-ISI-RH-1 Elbow to Pipe	ISI AUG OWN PRE	-	-	-	-	-	-	-
R-A R1.20-6 2	H-03278-RI II-RH-001RH-SW-C5 RH-2085		1-ISI-RH-1 Pipe to Elbow	ISI AUG OWN PRE	-	-	-	-	-	-	-
R-A R1.20-6 2	H-03280-RI II-RH-001RH-SW-D11 RH-2085		1-ISI-RH-1 Pipe to Pipe	ISI AUG OWN PRE	-	-	-	-	-	-	-
R-A R1.20-6 2	H-03283-RI II-RH-001RH-SW-D3 RH-2085		1-ISI-RH-1 Pipe to Elbow	ISI AUG OWN PRE	-	-	-	-	-	-	-
R-A R1.20-6 2	H-03285-RI II-RH-001RH-SW-D4 RH-2085		1-ISI-RH-1 Elbow to Pipe	ISI AUG OWN PRE	-	-	-	-	-	-	-
R-A R1.20-6 2	H-03287-RI II-RH-001RH-SW-D5 RH-2085		1-ISI-RH-1 Pipe to Elbow	ISI AUG OWN PRE	-	-	-	-	-	-	-

Harris Nuclear Plant 3rd Interval

Category, Item No., Class	Summary No./CompID/System	Scope Method Procedure	Dwg/ISO No. Desc.	Comp. Code Case	Period 1		Period 2			Period 3	
					RFO-14	RFO-15	RFO-16	RFO-17	RFO-18	RFO-19	RFO-20
R-A R1.20-6 2	H-03315-RI II-RH-001RH-SW-L4 RH-2085		1-ISI-RH-1 Pipe to Elbow	ISI AUG OWN PRE	-	-	-	-	-	-	-
R-A R1.20-6 2	H-03317-RI II-RH-001RH-SW-L5 RH-2085		1-ISI-RH-1 Elbow to Pipe	ISI AUG OWN PRE	-	-	-	-	-	-	-
R-A R1.20-6 2	H-03319-RI II-RH-001RH-SW-M3 RH-2085		1-ISI-RH-1 Elbow to Pipe	ISI AUG OWN PRE	-	-	-	-	-	-	-
R-A R1.20-6 2	H-03322-RI II-RH-001RH-SW-M4 RH-2085		1-ISI-RH-1 Pipe to Elbow	ISI AUG OWN PRE	-	-	-	-	-	-	-
R-A R1.20-6 2	H-03325-RI II-RH-001RH-SW-M5 RH-2085		1-ISI-RH-1 Elbow to Pipe	ISI AUG OWN PRE	-	-	-	-	-	-	-
R-A R1.20-6 2	H-03328-RI II-RH-001RH-SW-M6 RH-2085		1-ISI-RH-1 Pipe to Flange	ISI AUG OWN PRE	-	-	-	-	-	-	-
R-A R1.20-6 2	H-03330-RI II-RH-001RH-SW-N3 RH-2085		1-ISI-RH-1 Flange to Pipe	ISI AUG OWN PRE	-	-	-	-	-	-	-
R-A R1.20-6 2	H-03332-RI II-RH-001RH-SW-N4 RH-2085		1-ISI-RH-1 Pipe to Elbow	ISI AUG OWN PRE	-	-	-	-	-	-	-
R-A R1.20-6 2	H-03334-RI II-RH-001RH-SW-N5 RH-2085		1-ISI-RH-1 Elbow to Pipe	ISI AUG OWN PRE	-	-	-	-	-	-	-

Harris Nuclear Plant 3rd Interval

Category, Item No., Class	Summary No./CompID/System	Scope Method Procedure	Dwg/ISO No. Desc.	Comp. Code Case	Period 1		Period 2			Period 3	
					RFO-14	RFO-15	RFO-16	RFO-17	RFO-18	RFO-19	RFO-20
R-A	H-03336-RI		1-ISI-RH-1	ISI	-	-	-	-	-	-	-
R1.20-6	II-RH-001SI-1-FW-15		Pipe to Pipe	AUG	-	-	-	-	-	-	-
2	SI-2085			OWN	-	-	-	-	-	-	-
				PRE	-	-	-	-	-	-	-
R-A	H-03339-RI		1-ISI-RH-1	ISI	-	-	-	-	-	-	-
R1.20-6	II-RH-001SI-1-FW-4		Valve to Pipe	AUG	-	-	-	-	-	-	-
2	SI-2085			OWN	-	-	-	-	-	-	-
				PRE	-	-	-	-	-	-	-
R-A	H-03342-RI		1-ISI-RH-1	ISI	-	-	-	-	-	-	-
R1.20-6	II-RH-001SI-FW-10		Pipe to Valve	AUG	-	-	-	-	-	-	-
2	SI-2085			OWN	-	-	-	-	-	-	-
				PRE	-	-	-	-	-	-	-
R-A	H-03348-RI		1-ISI-RH-1	ISI	-	-	-	-	-	-	-
R1.20-6	II-RH-001SI-FW-1A		Sump Drain Filter Plate to Reducer	AUG	-	-	-	-	-	-	-
2	SI-2085			OWN	-	-	-	-	-	-	-
				PRE	-	-	-	-	-	-	-
R-A	H-03349-RI		1-ISI-RH-1	ISI	-	-	-	-	-	-	-
R1.20-6	II-RH-001SI-FW-2		Pipe to Piping Bend	AUG	-	-	-	-	-	-	-
2	SI-2085			OWN	-	-	-	-	-	-	-
				PRE	-	-	-	-	-	-	-
R-A	H-03351-RI		1-ISI-RH-1	ISI	-	-	-	-	-	-	-
R1.20-6	II-RH-001SI-FW-3		Pipe to Valve	AUG	-	-	-	-	-	-	-
2	SI-2085			OWN	-	-	-	-	-	-	-
				PRE	-	-	-	-	-	-	-
R-A	H-03354-RI		1-ISI-RH-1	ISI	-	-	-	-	-	-	-
R1.20-6	II-RH-001SI-FW-6		Pipe to Elbow	AUG	-	-	-	-	-	-	-
2	SI-2085			OWN	-	-	-	-	-	-	-
				PRE	-	-	-	-	-	-	-
R-A	H-03358-RI		1-ISI-RH-1	ISI	-	-	-	-	-	-	-
R1.20-6	II-RH-001SI-FW-7		Pipe to Valve	AUG	-	-	-	-	-	-	-
2	SI-2085			OWN	-	-	-	-	-	-	-
				PRE	-	-	-	-	-	-	-
R-A	H-03360-RI		1-ISI-RH-1	ISI	-	-	-	-	-	-	-
R1.20-6	II-RH-001SI-FW-8		Valve to Pipe	AUG	-	-	-	-	-	-	-
2	SI-2085			OWN	-	-	-	-	-	-	-
				PRE	-	-	-	-	-	-	-

Harris Nuclear Plant 3rd Interval

Category, Item No., Class	Summary No./CompID/System	Scope Method Procedure	Dwg/ISO No. Desc.	Comp. Code Case	Period 1		Period 2			Period 3	
					RFO-14	RFO-15	RFO-16	RFO-17	RFO-18	RFO-19	RFO-20
R-A	H-03362-RI		1-ISI-RH-1	ISI	-	-	-	-	-	-	-
R1.20-6	II-RH-001SI-FW-9		Tee to Pipe	AUG	-	-	-	-	-	-	-
2	RH-2085			OWN	-	-	-	-	-	-	-
				PRE	-	-	-	-	-	-	-
R-A	H-03365-RI		1-ISI-RH-1	ISI	-	-	-	-	-	-	-
R1.20-6	II-RH-001SI-SW-F3		Pipe to Elbow	AUG	-	-	-	-	-	-	-
2	SI-2085			OWN	-	-	-	-	-	-	-
				PRE	-	-	-	-	-	-	-
R-A	H-03369-RI		1-ISI-RH-1	ISI	-	-	-	-	-	-	-
R1.20-6	II-RH-001SI-SW-F4		Elbow to Pipe	AUG	-	-	-	-	-	-	-
2	SI-2085			OWN	-	-	-	-	-	-	-
				PRE	-	-	-	-	-	-	-
R-A	H-03373-RI		1-ISI-RH-1	ISI	-	-	-	-	-	-	-
R1.20-6	II-RH-001SI-SW-F5		Pipe to Tee	AUG	-	-	-	-	-	-	-
2	SI-2085			OWN	-	-	-	-	-	-	-
				PRE	-	-	-	-	-	-	-
R-A	H-03376-RI		1-ISI-RH-1	ISI	-	-	-	-	-	-	-
R1.20-6	II-RH-001SI-SW-F6		Tee to Pipe	AUG	-	-	-	-	-	-	-
2	SI-2085			OWN	-	-	-	-	-	-	-
				PRE	-	-	-	-	-	-	-
R-A	H-03379-RI		1-ISI-RH-1	ISI	-	-	-	-	-	-	-
R1.20-6	II-RH-001SI-SW-G3		Elbow to Pipe	AUG	-	-	-	-	-	-	-
2	SI-2085			OWN	-	-	-	-	-	-	-
				PRE	-	-	-	-	-	-	-
R-A	H-03383-RI		1-ISI-RH-1	ISI	-	-	-	-	-	-	-
R1.20-6	II-RH-001SI-SW-K3		Reducer to Pipe	AUG	-	-	-	-	-	-	-
2	SI-2085			OWN	-	-	-	-	-	-	-
				PRE	-	-	-	-	-	-	-
R-A	H-03436-RI		1-ISI-RH-2	ISI	-	-	-	-	-	-	-
R1.20-6	II-RH-002RH-11-1-SW-1		Pipe to Pipe	AUG	-	-	-	-	-	-	-
2	RH-2085			OWN	-	-	-	-	-	-	-
				PRE	-	-	-	-	-	-	-
R-A	H-03438-RI		1-ISI-RH-2	ISI	-	-	-	-	-	-	-
R1.20-6	II-RH-002RH-11-2-SW-1		Elbow to Pipe	AUG	-	-	-	-	-	-	-
2	RH-2085			OWN	-	-	-	-	-	-	-
				PRE	-	-	-	-	-	-	-

Harris Nuclear Plant 3rd Interval

Category, Item No., Class	Summary No./CompID/System	Scope Method Procedure	Dwg/ISO No. Desc.	Comp. Code Case	Period 1		Period 2			Period 3									
					RFO-14	RFO-15	RFO-16	RFO-17	RFO-18	RFO-19	RFO-20								
R-A R1.20-6 2	H-03464-RI II-RH-002RH-FW-20 RH-2085		1-ISI-RH-2 Elbow to Pipe	ISI AUG OWN PRE	-	-	-	-	-	-	-	-	-	-	-	-	-	-	-
R-A R1.20-6 2	H-03466-RI II-RH-002RH-FW-21 RH-2085		1-ISI-RH-2 Elbow to Nozzle	ISI AUG OWN PRE	-	-	-	-	-	-	-	-	-	-	-	-	-	-	-
R-A R1.20-6 2	H-03469-RI II-RH-002RH-FW-63 RH-2085		1-ISI-RH-2 Outlet Nozzle 1B to Reducer	ISI AUG OWN PRE	-	-	-	-	-	-	-	-	-	-	-	-	-	-	-
R-A R1.20-6 2	H-03470-RI II-RH-002RH-FW-64 RH-2085		1-ISI-RH-2 Pipe to Elbow	ISI AUG OWN PRE	-	-	-	-	-	-	-	-	-	-	-	-	-	-	-
R-A R1.20-6 2	H-03471-RI II-RH-002RH-FW-65 RH-2085		1-ISI-RH-2 Elbow to Pipe	ISI AUG OWN PRE	-	-	-	-	-	-	-	-	-	-	-	-	-	-	-
R-A R1.20-6 2	H-03473-RI II-RH-002RH-SW-A3 RH-2085		1-ISI-RH-2 Pipe to Elbow	ISI AUG OWN PRE	-	-	-	-	-	-	-	-	-	-	-	-	-	-	-
R-A R1.20-6 2	H-03475-RI II-RH-002RH-SW-A4 RH-2085		1-ISI-RH-2 Elbow to Pipe	ISI AUG OWN PRE	-	-	-	-	-	-	-	-	-	-	-	-	-	-	-
R-A R1.20-6 2	H-03477-RI II-RH-002RH-SW-B5 RH-2085		1-ISI-RH-2 Elbow to Pipe	ISI AUG OWN PRE	-	-	-	-	-	-	-	-	-	-	-	-	-	-	-
R-A R1.20-6 2	H-03479-RI II-RH-002RH-SW-C19 RH-2085		1-ISI-RH-2 Pipe to Pipe	ISI AUG OWN PRE	-	-	-	-	-	-	-	-	-	-	-	-	-	-	-

Harris Nuclear Plant 3rd Interval

Category, Item No., Class	Summary No./CompID/System	Scope Method Procedure	Dwg/ISO No. Desc.	Comp. Code Case	Period 1		Period 2			Period 3		
					RFO-14	RFO-15	RFO-16	RFO-17	RFO-18	RFO-19	RFO-20	
R-A R1.20-6 2	H-03571-RI II-RH-004RH-12-2-SW-3 RH-2085		1-ISI-RH-4 Pipe to Elbow	ISI AUG OWN PRE	-	-	-	-	-	-	-	-
R-A R1.20-6 2	H-03572-RI II-RH-004RH-12-2-SW-4 RH-2085		1-ISI-RH-4 Flange to Pipe	ISI AUG OWN PRE	-	-	-	-	-	-	-	-
R-A R1.20-6 2	H-03573-RI II-RH-004RH-FW-66 RH-2085		1-ISI-RH-4 Elbow to Pipe	ISI AUG OWN PRE	-	-	-	-	-	-	-	-
R-A R1.20-6 2	H-03575-RI II-RH-004RH-FW-67 RH-2085		1-ISI-RH-4 Pipe to Valve	ISI AUG OWN PRE	-	-	-	-	-	-	-	-
R-A R1.20-6 2	H-03577-RI II-RH-004RH-FW-73 RH-2085		1-ISI-RH-4 Pipe to Valve	ISI AUG OWN PRE	-	-	-	-	-	-	-	-
R-A R1.20-6 2	H-03581-RI II-RH-004RH-FW-75 RH-2085		1-ISI-RH-4 Pipe to Reducing Tee	ISI AUG OWN PRE	-	-	-	-	-	-	-	-
R-A R1.20-6 2	H-03582-RI II-RH-004RH-FW-76 RH-2085		1-ISI-RH-4 Valve to Pipe	ISI AUG OWN PRE	-	-	-	-	-	-	-	-
R-A R1.20-6 2	H-03584-RI II-RH-004RH-FW-77 RH-2085		1-ISI-RH-4 Pipe to Nozzle 1B Inlet	ISI AUG OWN PRE	-	-	-	-	-	-	-	-
R-A R1.20-6 2	H-03586-RI II-RH-004RH-FW-78 RH-2085		1-ISI-RH-4 Outlet Nozzle 1B to Pipe	ISI AUG OWN PRE	-	-	-	-	-	-	-	-

Harris Nuclear Plant 3rd Interval

Category, Item No., Class	Summary No./CompID/System	Scope Method Procedure	Dwg/ISO No. Desc.	Comp. Code Case	Period 1		Period 2			Period 3									
					RFO-14	RFO-15	RFO-16	RFO-17	RFO-18	RFO-19	RFO-20								
R-A R1.20-6 2	H-03605-RI II-RH-004RH-SW-B4 RH-2085		1-ISI-RH-4 Tee to Pipe	ISI AUG OWN PRE	-	-	-	-	-	-	-	-	-	-	-	-	-	-	-
R-A R1.20-6 2	H-03607-RI II-RH-004RH-SW-B5 RH-2085		1-ISI-RH-4 Tee to Pipe	ISI AUG OWN PRE	-	-	-	-	-	-	-	-	-	-	-	-	-	-	-
R-A R1.20-6 2	H-03609-RI II-RH-004RH-SW-B6 RH-2085		1-ISI-RH-4 Pipe to Reducer	ISI AUG OWN PRE	-	-	-	-	-	-	-	-	-	-	-	-	-	-	-
R-A R1.20-6 2	H-03611-RI II-RH-004RH-SW-B7 RH-2085		1-ISI-RH-4 Reducer to Pipe	ISI AUG OWN PRE	-	-	-	-	-	-	-	-	-	-	-	-	-	-	-
R-A R1.20-6 2	H-03614-RI II-RH-004RH-SW-C4 RH-2085		1-ISI-RH-4 Pipe to Reducing Tee	ISI AUG OWN PRE	-	-	-	-	-	-	-	-	-	-	-	-	-	-	-
R-A R1.20-6 2	H-03616-RI II-RH-004RH-SW-C5 RH-2085		1-ISI-RH-4 Flange to Pipe	ISI AUG OWN PRE	-	-	-	-	-	-	-	-	-	-	-	-	-	-	-
R-A R1.20-6 2	H-03618-RI II-RH-004RH-SW-D14 RH-2085		1-ISI-RH-4 Piping Bend to Pipe	ISI AUG OWN PRE	-	-	-	-	-	-	-	-	-	-	-	-	-	-	-
R-A R1.20-6 2	H-03623-RI II-RH-004RH-SW-D4 RH-2085		1-ISI-RH-4 Pipe to Elbow	ISI AUG OWN PRE	-	-	-	-	-	-	-	-	-	-	-	-	-	-	-
R-A R1.20-6 2	H-03625-RI II-RH-004RH-SW-D5 RH-2085		1-ISI-RH-4 Elbow to Piping Bend	ISI AUG OWN PRE	-	-	-	-	-	-	-	-	-	-	-	-	-	-	-

Harris Nuclear Plant 3rd Interval

Category, Item No., Class	Summary No./CompID/System	Scope Method Procedure	Dwg/ISO No. Desc.	Comp. Code Case	Period 1		Period 2			Period 3									
					RFO-14	RFO-15	RFO-16	RFO-17	RFO-18	RFO-19	RFO-20								
R-A R1.20-6 2	H-03627-RI II-RH-004RH-SW-D6 RH-2085		1-ISI-RH-4 Pipe to Elbow	ISI AUG OWN PRE	-	-	-	-	-	-	-	-	-	-	-	-	-	-	-
R-A R1.20-6 2	H-03629-RI II-RH-004RH-SW-D7 RH-2085		1-ISI-RH-4 Elbow to Pipe	ISI AUG OWN PRE	-	-	-	-	-	-	-	-	-	-	-	-	-	-	-
R-A R1.20-6 2	H-03631-RI II-RH-004RH-SW-D8 RH-2085		1-ISI-RH-4 Pipe to Elbow	ISI AUG OWN PRE	-	-	-	-	-	-	-	-	-	-	-	-	-	-	-
R-A R1.20-6 2	H-03633-RI II-RH-004RH-SW-D9 RH-2085		1-ISI-RH-4 Elbow to Pipe	ISI AUG OWN PRE	-	-	-	-	-	-	-	-	-	-	-	-	-	-	-
R-A R1.20-6 2	H-03635-RI II-RH-004RH-SW-E3 RH-2085		1-ISI-RH-4 Pipe to Reducing Tee	ISI AUG OWN PRE	-	-	-	-	-	-	-	-	-	-	-	-	-	-	-
R-A R1.20-6 2	H-03637-RI II-RH-004RH-SW-E5 RH-2085		1-ISI-RH-4 Tee, Reducing to Pipe	ISI AUG OWN PRE	-	-	-	-	-	-	-	-	-	-	-	-	-	-	-
R-A R1.20-6 2	H-03638-RI II-RH-004RH-SW-E6 RH-2085		1-ISI-RH-4 Pipe to Elbow	ISI AUG OWN PRE	-	-	-	-	-	-	-	-	-	-	-	-	-	-	-
R-A R1.20-6 2	H-03639-RI II-RH-004RH-SW-E7 RH-2085		1-ISI-RH-4 Elbow to Pipe	ISI AUG OWN PRE	-	-	-	-	-	-	-	-	-	-	-	-	-	-	-
R-A R1.20-6 2	H-03640-RI II-RH-004RH-SW-E8 RH-2085		1-ISI-RH-4 Pipe to Flange	ISI AUG OWN PRE	-	-	-	-	-	-	-	-	-	-	-	-	-	-	-

Harris Nuclear Plant 3rd Interval

Category, Item No., Class	Summary No./ComplD/System	Scope Method Procedure	Dwg/ISO No. Desc.	Comp. Code Case	Period 1		Period 2			Period 3	
					RFO-14	RFO-15	RFO-16	RFO-17	RFO-18	RFO-19	RFO-20
R-A R1.20-6 1	H-03693-RI II-RH-010RH-FW-195 RH-2085		1-ISI-RH-10 Elbow to Pipe	ISI AUG OWN PRE	-	-	-	-	-	-	-
R-A R1.20-6 1	H-03694-RI II-RH-010RH-FW-196 RH-2085		1-ISI-RH-10 Pipe to Elbow	ISI AUG OWN PRE	-	-	-	-	-	-	-
R-A R1.20-6 1	H-03695-RI II-RH-010RH-FW-197 RH-2085		1-ISI-RH-10 Pipe to Elbow	ISI AUG OWN PRE	-	-	-	-	-	-	-
R-A R1.20-6 1	H-03696-RI II-RH-010RH-FW-198 RH-2085		1-ISI-RH-10 Valve to Piping Bend	ISI AUG OWN PRE	-	-	-	-	-	-	-
R-A R1.20-6 2	H-03697-RI II-RH-010RH-FW-2 RH-2085		1-ISI-RH-10 Pipe to Flued Head	ISI AUG OWN PRE	-	-	-	-	-	-	-
R-A R1.20-6 2	H-03699-RI II-RH-010RH-M15-PW-1 RH-2085		1-ISI-RH-10 Flued Head to Pipe	ISI AUG OWN PRE	-	-	-	-	-	-	-
R-A R1.20-6 1	H-03700-RI II-RH-010RH-SW-B6 RH-2085		1-ISI-RH-10 Piping Bend to Pipe	ISI AUG OWN PRE	-	-	-	-	-	-	-
R-A R1.20-6 1	H-03701-RI II-RH-010RH-SW-C3 RH-2085		1-ISI-RH-10 Elbow to Pipe	ISI AUG OWN PRE	-	-	-	-	-	-	-
R-A R1.20-6 1	H-03702-RI II-RH-010RH-SW-C4 RH-2085		1-ISI-RH-10 Pipe to Pipe	ISI AUG OWN PRE	-	-	-	-	-	-	-

Harris Nuclear Plant 3rd Interval

Category, Item No., Class	Summary No./CompID/System	Scope Method Procedure	Dwg/ISO No. Desc.	Comp. Code Case	Period 1		Period 2			Period 3	
					RFO-14	RFO-15	RFO-16	RFO-17	RFO-18	RFO-19	RFO-20
R-A R1.20-6 1	H-03703-RI II-RH-010RH-SW-D3 RH-2085		1-ISI-RH-10 Piping Bend to Elbow	ISI AUG OWN PRE	-	-	-	-	-	-	-
R-A R1.20-6 1	H-03704-RI II-RH-010RH-SW-D4 RH-2085		1-ISI-RH-10 Elbow to Piping Bend	ISI AUG OWN PRE	-	-	-	-	-	-	-
R-A R1.20-6 1	H-03705-RI II-RH-010RH-SW-E3 RH-2085		1-ISI-RH-10 Elbow to Pipe	ISI AUG OWN PRE	-	-	-	-	-	-	-
R-A R1.20-6 1	H-03706-RI II-RH-010RH-SW-E4 RH-2085		1-ISI-RH-10 Pipe to Elbow	ISI AUG OWN PRE	-	-	-	-	-	-	-
R-A R1.20-6 1	H-03707-RI II-RH-010RH-SW-E5 RH-2085		1-ISI-RH-10 Elbow to Pipe	ISI AUG OWN PRE	-	-	-	-	-	-	-
R-A R1.20-6 1	H-03708-RI II-RH-010RH-SW-E6 RH-2085		1-ISI-RH-10 Pipe to Elbow	ISI AUG OWN PRE	-	-	-	-	-	-	-
R-A R1.20-6 2	H-03709-RI II-RH-010RH-SW-F3 RH-2085		1-ISI-RH-10 Pipe to Pipe	ISI AUG OWN PRE	-	-	-	-	-	-	-
R-A R1.20-6 2	H-03906-RI II-SI-003SI-14-1-SW-1 SI-2080		1-ISI-SI-3 Pipe to Elbow	ISI AUG OWN PRE	-	-	-	-	-	-	-
R-A R1.20-6 2	H-03907-RI II-SI-003SI-14-2-SW-1 SI-2080		1-ISI-SI-3 Pipe to Pipe	ISI AUG OWN PRE	-	-	-	-	-	-	-

Harris Nuclear Plant 3rd Interval

Category, Item No., Class	Summary No./CompID/System	Scope Method Procedure	Dwg/ISO No. Desc.	Comp. Code Case	Period 1		Period 2			Period 3										
					RFO-14	RFO-15	RFO-16	RFO-17	RFO-18	RFO-19	RFO-20									
R-A R1.20-6 2	H-03908-RI II-SI-003SI-14-FW-270 SI-2080		1-ISI-SI-3 Elbow to Pipe	ISI AUG OWN PRE	-	-	-	-	-	-	-	-	-	-	-	-	-	-	-	-
R-A R1.20-6 2	H-03909-RI II-SI-003SI-FW-269 SI-2080		1-ISI-SI-3 Outlet Nozzle 1X to Pipe	ISI AUG OWN PRE	-	-	-	-	-	-	-	-	-	-	-	-	-	-	-	-
R-A R1.20-6 2	H-03910-RI II-SI-003SI-FW-271 SI-2080		1-ISI-SI-3 Pipe to Valve	ISI AUG OWN PRE	-	-	-	-	-	-	-	-	-	-	-	-	-	-	-	-
R-A R1.20-6 2	H-03911-RI II-SI-003SI-FW-272 SI-2080		1-ISI-SI-3 Valve to Pipe	ISI AUG OWN PRE	-	-	-	-	-	-	-	-	-	-	-	-	-	-	-	-
R-A R1.20-6 2	H-03912-RI II-SI-003SI-FW-273 SI-2080		1-ISI-SI-3 Pipe to Flued Head	ISI AUG OWN PRE	-	-	-	-	-	-	-	-	-	-	-	-	-	-	-	-
R-A R1.20-6 2	H-03913-RI II-SI-003SI-FW-274 SI-2080		1-ISI-SI-3 Valve to Pipe	ISI AUG OWN PRE	-	-	-	-	-	-	-	-	-	-	-	-	-	-	-	-
R-A R1.20-6 2	H-03914-RI II-SI-003SI-FW-275 SI-2080		1-ISI-SI-3 Pipe to Valve	ISI AUG OWN PRE	-	-	-	-	-	-	-	-	-	-	-	-	-	-	-	-
R-A R1.20-6 2	H-03915-RI II-SI-003SI-SW-A14 SI-2080		1-ISI-SI-3 Pipe to Pipe	ISI AUG OWN PRE	-	-	-	-	-	-	-	-	-	-	-	-	-	-	-	-
R-A R1.20-6 2	H-03916-RI II-SI-003SI-SW-A3 SI-2080		1-ISI-SI-3 Pipe to Pipe	ISI AUG OWN PRE	-	-	-	-	-	-	-	-	-	-	-	-	-	-	-	-

Harris Nuclear Plant 3rd Interval

Category, Item No., Class	Summary No./CompID/System	Scope Method Procedure	Dwg/ISO No. Desc.	Comp. Code Case	Period 1		Period 2			Period 3	
					RFO-14	RFO-15	RFO-16	RFO-17	RFO-18	RFO-19	RFO-20
R-A R1.20-6 2	H-03917-RI II-SI-003SI-SW-A4 SI-2080		1-ISI-SI-3 Pipe to Pipe	ISI AUG OWN PRE	-	-	-	-	-	-	-
R-A R1.20-6 2	H-03918-RI II-SI-003SI-SW-A6 SI-2080		1-ISI-SI-3 Pipe to Pipe	ISI AUG OWN PRE	-	-	-	-	-	-	-
R-A R1.20-6 2	H-03919-RI II-SI-003SI-SW-A7 SI-2080		1-ISI-SI-3 Pipe to Pipe	ISI AUG OWN PRE	-	-	-	-	-	-	-
R-A R1.20-6 2	H-03920-RI II-SI-003SI-SW-A8 SI-2080		1-ISI-SI-3 Pipe to Pipe	ISI AUG OWN PRE	-	-	-	-	-	-	-
R-A R1.20-6 2	H-03921-RI II-SI-003SI-SW-A9 SI-2080		1-ISI-SI-3 Pipe to Pipe	ISI AUG OWN PRE	-	-	-	-	-	-	-
R-A R1.20-6 2	H-03922-RI II-SI-003SI-SW-B10 SI-2080		1-ISI-SI-3 Pipe to Pipe	ISI AUG OWN PRE	-	-	-	-	-	-	-
R-A R1.20-6 2	H-03923-RI II-SI-003SI-SW-B11 SI-2080		1-ISI-SI-3 Pipe to Pipe	ISI AUG OWN PRE	-	-	-	-	-	-	-
R-A R1.20-6 2	H-03924-RI II-SI-003SI-SW-B3 SI-2080		1-ISI-SI-3 Elbow to Pipe	ISI AUG OWN PRE	-	-	-	-	-	-	-
R-A R1.20-6 2	H-03925-RI II-SI-003SI-SW-B4 SI-2080		1-ISI-SI-3 Pipe to Elbow	ISI AUG OWN PRE	-	-	-	-	-	-	-

Harris Nuclear Plant 3rd Interval

Category, Item No., Class	Summary No./CompID/System	Scope Method Procedure	Dwg/ISO No. Desc.	Comp. Code Case	Period 1		Period 2			Period 3				
					RFO-14	RFO-15	RFO-16	RFO-17	RFO-18	RFO-19	RFO-20			
R-A R1.20-6 2	H-03935-RI II-SI-004SI-13-11-SW-2 SI-2080		1-ISI-SI-4 Elbow to Pipe	ISI AUG OWN PRE	-	-	-	-	-	-	-	-	-	-
R-A R1.20-6 2	H-03936-RI II-SI-004SI-13-11-SW-3 SI-2080		1-ISI-SI-4 Pipe to Elbow	ISI AUG OWN PRE	-	-	-	-	-	-	-	-	-	-
R-A R1.20-6 2	H-03937-RI II-SI-004SI-13-11-SW-4 SI-2080		1-ISI-SI-4 Pipe to Elbow	ISI AUG OWN PRE	-	-	-	-	-	-	-	-	-	-
R-A R1.20-6 2	H-03938-RI II-SI-004SI-13-11-SW-5 SI-2080		1-ISI-SI-4 Elbow to Pipe	ISI AUG OWN PRE	-	-	-	-	-	-	-	-	-	-
R-A R1.20-6 2	H-03939-RI II-SI-004SI-FW-27 SI-2080		1-ISI-SI-4 Elbow to Pipe	ISI AUG OWN PRE	-	-	-	-	-	-	-	-	-	-
R-A R1.20-6 2	H-03940-RI II-SI-004SI-FW-28 SI-2080		1-ISI-SI-4 Elbow to Pipe	ISI AUG OWN PRE	-	-	-	-	-	-	-	-	-	-
R-A R1.20-6 2	H-03941-RI II-SI-004SI-FW-29 SI-2080		1-ISI-SI-4 Pipe to Elbow	ISI AUG OWN PRE	-	-	-	-	-	-	-	-	-	-
R-A R1.20-6 2	H-03942-RI II-SI-004SI-FW-30 SI-2080		1-ISI-SI-4 Pipe to Pipe	ISI AUG OWN PRE	-	-	-	-	-	-	-	-	-	-
R-A R1.20-6 2	H-03943-RI II-SI-004SI-FW-31 SI-2080		1-ISI-SI-4 Pipe to Elbow	ISI AUG OWN PRE	-	-	-	-	-	-	-	-	-	-

Harris Nuclear Plant 3rd Interval

Category, Item No., Class	Summary No./CompID/System	Scope Method Procedure	Dwg/ISO No. Desc.	Comp. Code Case	Period 1		Period 2			Period 3	
					RFO-14	RFO-15	RFO-16	RFO-17	RFO-18	RFO-19	RFO-20
R-A	H-03944-RI		1-ISI-SI-4	ISI	-	-	-	-	-	-	-
R1.20-6	II-SI-004SI-FW-32		Piping Bend to Valve	AUG	-	-	-	-	-	-	-
2	SI-2080			OWN	-	-	-	-	-	-	-
				PRE	-	-	-	-	-	-	-
R-A	H-03945-RI		1-ISI-SI-4	ISI	-	-	-	-	-	-	-
R1.20-6	II-SI-004SI-FW-33		Valve to Pipe	AUG	-	-	-	-	-	-	-
2	SI-2080			OWN	-	-	-	-	-	-	-
				PRE	-	-	-	-	-	-	-
R-A	H-03946-RI		1-ISI-SI-4	ISI	-	-	-	-	-	-	-
R1.20-6	II-SI-004SI-FW-34		Pipe to Flued Head	AUG	-	-	-	-	-	-	-
2	SI-2080			OWN	-	-	-	-	-	-	-
				PRE	-	-	-	-	-	-	-
R-A	H-03947-RI		1-ISI-SI-4	ISI	-	-	-	-	-	-	-
R1.20-6	II-SI-004SI-FW-37		Pipe to Tee	AUG	-	-	-	-	-	-	-
2	SI-2080			OWN	-	-	-	-	-	-	-
				PRE	-	-	-	-	-	-	-
R-A	H-03948-RI		1-ISI-SI-4	ISI	-	-	-	-	-	-	-
R1.20-6	II-SI-004SI-FW-38		Elbow to Valve	AUG	-	-	-	-	-	-	-
2	SI-2080			OWN	-	-	-	-	-	-	-
				PRE	-	-	-	-	-	-	-
R-A	H-03949-RI		1-ISI-SI-4	ISI	-	-	-	-	-	-	-
R1.20-6	II-SI-004SI-FW-39		Valve to Pipe	AUG	-	-	-	-	-	-	-
2	SI-2080			OWN	-	-	-	-	-	-	-
				PRE	-	-	-	-	-	-	-
R-A	H-03950-RI		1-ISI-SI-4	ISI	-	-	-	-	-	-	-
R1.20-6	II-SI-004SI-FW-40		Pipe to Valve	AUG	-	-	-	-	-	-	-
2	SI-2080			OWN	-	-	-	-	-	-	-
				PRE	-	-	-	-	-	-	-
R-A	H-03951-RI		1-ISI-SI-4	ISI	-	-	-	-	-	-	-
R1.20-6	II-SI-004SI-FW-41		Valve to Tee	AUG	-	-	-	-	-	-	-
2	SI-2080			OWN	-	-	-	-	-	-	-
				PRE	-	-	-	-	-	-	-
R-A	H-03952-RI		1-ISI-SI-4	ISI	-	-	-	-	-	-	-
R1.20-6	II-SI-004SI-FW-42		Pipe to Nozzle 1X Inlet	AUG	-	-	-	-	-	-	-
2	SI-2080			OWN	-	-	-	-	-	-	-
				PRE	-	-	-	-	-	-	-

Harris Nuclear Plant 3rd Interval

Category, Item No., Class	Summary No./ComplID/System	Scope Method Procedure	Dwg/ISO No. Desc.	Comp. Code Case	Period 1		Period 2			Period 3	
					RFO-14	RFO-15	RFO-16	RFO-17	RFO-18	RFO-19	RFO-20
R-A R1.20-6 2	H-03962-RI II-SI-004SI-SW-A9 SI-2080		1-ISI-SI-4 Pipe to Pipe	ISI AUG OWN PRE	-	-	-	-	-	-	-
R-A R1.20-6 2	H-03963-RI II-SI-004SI-SW-B10 SI-2080		1-ISI-SI-4 Elbow to Pipe	ISI AUG OWN PRE	-	-	-	-	-	-	-
R-A R1.20-6 2	H-03964-RI II-SI-004SI-SW-B11 SI-2080		1-ISI-SI-4 Pipe to Elbow	ISI AUG OWN PRE	-	-	-	-	-	-	-
R-A R1.20-6 2	H-03965-RI II-SI-004SI-SW-B5 SI-2080		1-ISI-SI-4 Elbow to Pipe	ISI AUG OWN PRE	-	-	-	-	-	-	-
R-A R1.20-6 2	H-03966-RI II-SI-004SI-SW-B6 SI-2080		1-ISI-SI-4 Pipe to Elbow	ISI AUG OWN PRE	-	-	-	-	-	-	-
R-A R1.20-6 2	H-03967-RI II-SI-004SI-SW-B7 SI-2080		1-ISI-SI-4 Tee to Pipe	ISI AUG OWN PRE	-	-	-	-	-	-	-
R-A R1.20-6 2	H-03968-RI II-SI-004SI-SW-B8 SI-2080		1-ISI-SI-4 Tee to Pipe	ISI AUG OWN PRE	-	-	-	-	-	-	-
R-A R1.20-6 2	H-03969-RI II-SI-004SI-SW-B9 SI-2080		1-ISI-SI-4 Pipe to Elbow	ISI AUG OWN PRE	-	-	-	-	-	-	-
R-A R1.20-6 2	H-03970-RI II-SI-004SI-SW-C3 SI-2080		1-ISI-SI-4 Pipe to Pipe	ISI AUG OWN PRE	-	-	-	-	-	-	-

Harris Nuclear Plant 3rd Interval

Category, Item No., Class	Summary No./CompID/System	Scope Method Procedure	Dwg/ISO No. Desc.	Comp. Code Case	Period 1		Period 2			Period 3	
					RFO-14	RFO-15	RFO-16	RFO-17	RFO-18	RFO-19	RFO-20
R-A R1.20-6 2	H-03971-RI II-SI-004SI-SW-C4 SI-2080		1-ISI-SI-4 Tee to Pipe	ISI AUG OWN PRE	- - - -	- - - -	- - - -	- - - -	- - - -	- - - -	- - - -
R-A R1.20-6 2	H-03972-RI II-SI-004SI-SW-C5 SI-2080		1-ISI-SI-4 Tee to Pipe	ISI AUG OWN PRE	- - - -	- - - -	- - - -	- - - -	- - - -	- - - -	- - - -
R-A R1.20-6 2	H-03973-RI II-SI-004SI-SW-D3 SI-2080		1-ISI-SI-4 Pipe to Elbow	ISI AUG OWN PRE	- - - -	- - - -	- - - -	- - - -	- - - -	- - - -	- - - -
R-A R1.20-6 2	H-03974-RI II-SI-004SI-SW-D6 SI-2080		1-ISI-SI-4 Pipe to Pipe	ISI AUG OWN PRE	- - - -	- - - -	- - - -	- - - -	- - - -	- - - -	- - - -
R-A R1.20-6 2	H-03975-RI II-SI-004SI-SW-E3 SI-2080		1-ISI-SI-4 Flange to Pipe	ISI AUG OWN PRE	- - - -	- - - -	- - - -	- - - -	- - - -	- - - -	- - - -
R-A R1.20-6 2	H-03976-RI II-SI-004SI-SW-E4 SI-2080		1-ISI-SI-4 Pipe to Reducing Elbow	ISI AUG OWN PRE	- - - -	- - - -	- - - -	- - - -	- - - -	- - - -	- - - -
R-A R1.20-6 2	H-03977-RI II-SI-004SI-SW-F3 SI-2085		1-ISI-SI-4 Pipe to Elbow	ISI AUG OWN PRE	- - - -	- - - -	- - - -	- - - -	- - - -	- - - -	- - - -
R-A R1.20-6 2	H-03978-RI II-SI-004SI-SW-F4 SI-2085		1-ISI-SI-4 Pipe to Elbow	ISI AUG OWN PRE	- - - -	- - - -	- - - -	- - - -	- - - -	- - - -	- - - -
R-A R1.20-6 2	H-03979-RI II-SI-004SI-SW-F5 SI-2085		1-ISI-SI-4 Pipe to Elbow	ISI AUG OWN PRE	- - - -	- - - -	- - - -	- - - -	- - - -	- - - -	- - - -

Harris Nuclear Plant 3rd Interval

Category, Item No., Class	Summary No./CompID/System	Scope Method Procedure	Dwg/ISO No. Desc.	Comp. Code Case	Period 1		Period 2			Period 3									
					RFO-14	RFO-15	RFO-16	RFO-17	RFO-18	RFO-19	RFO-20								
R-A R1.20-6 2	H-03989-RI II-SI-004SI-SW-I6 SI-2080		1-ISI-SI-4 Elbow to Piping Bend	ISI AUG OWN PRE	-	-	-	-	-	-	-	-	-	-	-	-	-	-	-
R-A R1.20-6 2	H-04190-RI II-SI-010SI-100-FW-275 SI-2080		1-ISI-SI-10 Reducer to Pipe	ISI AUG OWN PRE	-	-	-	-	-	-	-	-	-	-	-	-	-	-	-
R-A R1.20-6 2	H-04191-RI II-SI-010SI-99-FW-269 SI-2080		1-ISI-SI-10 Tee to Pipe	ISI AUG OWN PRE	-	-	-	-	-	-	-	-	-	-	-	-	-	-	-
R-A R1.20-6 2	H-04192-RI II-SI-010SI-99-FW-270 SI-2080		1-ISI-SI-10 Pipe to Valve	ISI AUG OWN PRE	-	-	-	-	-	-	-	-	-	-	-	-	-	-	-
R-A R1.20-6 2	H-04193-RI II-SI-010SI-99-FW-271 SI-2080		1-ISI-SI-10 Valve to Pipe	ISI AUG OWN PRE	-	-	-	-	-	-	-	-	-	-	-	-	-	-	-
R-A R1.20-6 2	H-04194-RI II-SI-010SI-99-FW-272 SI-2080		1-ISI-SI-10 Pipe to Flued Head	ISI AUG OWN PRE	-	-	-	-	-	-	-	-	-	-	-	-	-	-	-
R-A R1.20-6 2	H-04195-RI II-SI-010SI-FW-273 SI-2080		1-ISI-SI-10 Pipe to Piping Bend	ISI AUG OWN PRE	-	-	-	-	-	-	-	-	-	-	-	-	-	-	-
R-A R1.20-6 2	H-04196-RI II-SI-010SI-FW-276 SI-2080		1-ISI-SI-10 Tee to Pipe	ISI AUG OWN PRE	-	-	-	-	-	-	-	-	-	-	-	-	-	-	-
R-A R1.20-6 2	H-04197-RI II-SI-010SI-SW-A3 SI-2080		1-ISI-SI-10 Pipe to Flange	ISI AUG OWN PRE	-	-	-	-	-	-	-	-	-	-	-	-	-	-	-

Harris Nuclear Plant 3rd Interval

Category, Item No., Class	Summary No./ComplID/System	Scope Method Procedure	Dwg/ISO No. Desc.	Comp. Code Case	Period 1		Period 2			Period 3									
					RFO-14	RFO-15	RFO-16	RFO-17	RFO-18	RFO-19	RFO-20								
R-A R1.20-6 2	H-04198-RI II-SI-010SI-SW-A4 SI-2080		1-ISI-SI-10 Elbow to Pipe	ISI AUG OWN PRE	-	-	-	-	-	-	-	-	-	-	-	-	-	-	-
R-A R1.20-6 2	H-04199-RI II-SI-010SI-SW-A5 SI-2080		1-ISI-SI-10 Pipe to Elbow	ISI AUG OWN PRE	-	-	-	-	-	-	-	-	-	-	-	-	-	-	-
R-A R1.20-6 2	H-04200-RI II-SI-010SI-SW-B3 SI-2080		1-ISI-SI-10 Elbow to Reducer	ISI AUG OWN PRE	-	-	-	-	-	-	-	-	-	-	-	-	-	-	-
R-A R1.20-6 2	H-04201-RI II-SI-010SI-SW-B4 SI-2080		1-ISI-SI-10 Pipe to Elbow	ISI AUG OWN PRE	-	-	-	-	-	-	-	-	-	-	-	-	-	-	-
R-A R1.20-6 2	H-04202-RI II-SI-010SI-SW-B5 SI-2080		1-ISI-SI-10 Elbow to Pipe	ISI AUG OWN PRE	-	-	-	-	-	-	-	-	-	-	-	-	-	-	-
R-A R1.20-6 2	H-04203-RI II-SI-010SI-SW-B6 SI-2080		1-ISI-SI-10 Pipe to Elbow	ISI AUG OWN PRE	-	-	-	-	-	-	-	-	-	-	-	-	-	-	-
R-A R1.20-6 2	H-04204-RI II-SI-010SI-SW-B7 SI-2080		1-ISI-SI-10 Flange to Pipe	ISI AUG OWN PRE	-	-	-	-	-	-	-	-	-	-	-	-	-	-	-
R-A R1.20-6 2	H-04205-RI II-SI-010SI-SW-C3 SI-2080		1-ISI-SI-10 Elbow to Pipe	ISI AUG OWN PRE	-	-	-	-	-	-	-	-	-	-	-	-	-	-	-
R-A R1.20-6 2	H-04206-RI II-SI-010SI-SW-C4 SI-2080		1-ISI-SI-10 Pipe to Elbow	ISI AUG OWN PRE	-	-	-	-	-	-	-	-	-	-	-	-	-	-	-

Harris Nuclear Plant 3rd Interval

Category, Item No., Class	Summary No./CompID/System	Scope Method Procedure	Dwg/ISO No. Desc.	Comp. Code Case	Period 1		Period 2			Period 3	
					RFO-14	RFO-15	RFO-16	RFO-17	RFO-18	RFO-19	RFO-20
R-A R1.20-6 2	H-04207-RI II-SI-010SI-SW-C5 SI-2080		1-ISI-SI-10 Elbow to Pipe	ISI AUG OWN PRE	-	-	-	-	-	-	-
R-A R1.20-6 2	H-04208-RI II-SI-010SI-SW-C6 SI-2080		1-ISI-SI-10 Pipe to Elbow	ISI AUG OWN PRE	-	-	-	-	-	-	-
R-A R1.20-6 2	H-04209-RI II-SI-010SI-SW-C7 SI-2080		1-ISI-SI-10 Tee to Pipe	ISI AUG OWN PRE	-	-	-	-	-	-	-
R-A R1.20-6 2	H-04210-RI II-SI-010SI-SW-C8 SI-2080		1-ISI-SI-10 Pipe to Tee	ISI AUG OWN PRE	-	-	-	-	-	-	-
R-A R1.20-6 2	H-04211-RI II-SI-010SI-SW-D5 SI-2080		1-ISI-SI-10 Pipe to Elbow	ISI AUG OWN PRE	-	-	-	-	-	-	-
R-A R1.20-6 2	H-04212-RI II-SI-010SI-SW-D6 SI-2080		1-ISI-SI-10 Elbow to Pipe	ISI AUG OWN PRE	-	-	-	-	-	-	-
R-A R1.20-6 2	H-04213-RI II-SI-010SI-SW-D7 SI-2080		1-ISI-SI-10 Pipe to Pipe	ISI AUG OWN PRE	-	-	-	-	-	-	-
R-A R1.20-6 2	H-04214-RI II-SI-011SI-FW-274 SI-2080		1-ISI-SI-11 Piping Bend to Pipe	ISI AUG OWN PRE	-	-	-	-	-	-	-
R-A R1.20-6 2	H-04215-RI II-SI-011SI-FW-470 SI-2080		1-ISI-SI-11 Pipe to Pipe	ISI AUG OWN PRE	-	-	-	-	-	-	-

Harris Nuclear Plant 3rd Interval

Category, Item No., Class	Summary No./CompID/System	Scope Method Procedure	Dwg/ISO No. Desc.	Comp. Code Case	Period 1		Period 2			Period 3									
					RFO-14	RFO-15	RFO-16	RFO-17	RFO-18	RFO-19	RFO-20								
R-A R1.20-6 2	H-04225-RI II-SI-011SI-SW-B5 SI-2080		1-ISI-SI-11 Pipe to Pipe	ISI AUG OWN PRE	-	-	-	-	-	-	-	-	-	-	-	-	-	-	-
R-A R1.20-6 2	H-04226-RI II-SI-011SI-SW-C6 SI-2080		1-ISI-SI-11 Pipe to Elbow	ISI AUG OWN PRE	-	-	-	-	-	-	-	-	-	-	-	-	-	-	-
R-A R1.20-6 2	H-04227-RI II-SI-011SI-SW-C7 SI-2080		1-ISI-SI-11 Elbow to Pipe	ISI AUG OWN PRE	-	-	-	-	-	-	-	-	-	-	-	-	-	-	-
R-A R1.20-6 2	H-04228-RI II-SI-011SI-SW-D3 SI-2080		1-ISI-SI-11 Elbow to Pipe	ISI AUG OWN PRE	-	-	-	-	-	-	-	-	-	-	-	-	-	-	-
R-A R1.20-6 2	H-04229-RI II-SI-011SI-SW-D5 SI-2080		1-ISI-SI-11 Pipe to Pipe	ISI AUG OWN PRE	-	-	-	-	-	-	-	-	-	-	-	-	-	-	-
R-A R1.20-6 2	H-04230-RI II-SI-011SI-SW-E3 SI-2080		1-ISI-SI-11 Elbow to Pipe	ISI AUG OWN PRE	-	-	-	-	-	-	-	-	-	-	-	-	-	-	-
R-A R1.20-6 2	H-04231-RI II-SI-011SI-SW-E4 SI-2080		1-ISI-SI-11 Pipe to Elbow	ISI AUG OWN PRE	-	-	-	-	-	-	-	-	-	-	-	-	-	-	-
R-A R1.20-6 2	H-04232-RI II-SI-011SI-SW-E5 SI-2080		1-ISI-SI-11 Elbow to Pipe	ISI AUG OWN PRE	-	-	-	-	-	-	-	-	-	-	-	-	-	-	-
R-A R1.20-6 2	H-04233-RI II-SI-011SI-SW-F3 SI-2080		1-ISI-SI-11 Pipe to Elbow	ISI AUG OWN PRE	-	-	-	-	-	-	-	-	-	-	-	-	-	-	-

Harris Nuclear Plant 3rd Interval

Category, Item No., Class	Summary No./CompID/System	Scope Method Procedure	Dwg/ISO No. Desc.	Comp. Code Case	Period 1		Period 2			Period 3									
					RFO-14	RFO-15	RFO-16	RFO-17	RFO-18	RFO-19	RFO-20								
R-A R1.20-6 1	H-04267-RI II-SI-016SI-FW-725 SI-2080		1-ISI-SI-16 Pipe to Sockolet	ISI AUG OWN PRE	-	-	-	-	-	-	-	-	-	-	-	-	-	-	-
R-A R1.20-6 1	H-04272-RI II-SI-016SI-SW-A3 SI-2080		1-ISI-SI-16 Pipe to Elbow	ISI AUG OWN PRE	-	-	-	-	-	-	-	-	-	-	-	-	-	-	-
R-A R1.20-6 1	H-04273-RI II-SI-016SI-SW-A4 SI-2080		1-ISI-SI-16 Elbow to Pipe	ISI AUG OWN PRE	-	-	-	-	-	-	-	-	-	-	-	-	-	-	-
R-A R1.20-6 1	H-04274-RI II-SI-016SI-SW-B3 SI-2080		1-ISI-SI-16 Pipe to Elbow	ISI AUG OWN PRE	-	-	-	-	-	-	-	-	-	-	-	-	-	-	-
R-A R1.20-6 1	H-04275-RI II-SI-016SI-SW-B4 SI-2080		1-ISI-SI-16 Elbow to Pipe	ISI AUG OWN PRE	-	-	-	-	-	-	-	-	-	-	-	-	-	-	-
R-A R1.20-6 1	H-04318-RI II-SI-017SI-FW-898 SI-9030		1-ISI-SI-17 Valve to Pipe	ISI AUG OWN PRE	-	-	-	-	-	-	-	-	-	-	-	-	-	-	-
R-A R1.20-6 1	H-04319-RI II-SI-017SI-FW-903 SI-9030		1-ISI-SI-17 Pipe to Valve	ISI AUG OWN PRE	-	-	-	-	-	-	-	-	-	-	-	-	-	-	-
R-A R1.20-6 1	H-04320-RI II-SI-017SI-FW-904 SI-9030		1-ISI-SI-17 Pipe to Coupling	ISI AUG OWN PRE	-	-	-	-	-	-	-	-	-	-	-	-	-	-	-
R-A R1.20-6 1	H-04323-RI II-SI-017SI-SW-C10 SI-9030		1-ISI-SI-17 Elbow to Pipe	ISI AUG OWN PRE	-	-	-	-	-	-	-	-	-	-	-	-	-	-	-

Harris Nuclear Plant 3rd Interval

Category, Item No., Class	Summary No./CompID/System	Scope Method Procedure	Dwg/ISO No. Desc.	Comp. Code Case	Period 1		Period 2			Period 3									
					RFO-14	RFO-15	RFO-16	RFO-17	RFO-18	RFO-19	RFO-20								
R-A R1.20-6 1	H-04324-RI II-SI-017SI-SW-C11 SI-9030		1-ISI-SI-17 Pipe to Elbow	ISI AUG OWN PRE	-	-	-	-	-	-	-	-	-	-	-	-	-	-	-
R-A R1.20-6 1	H-04325-RI II-SI-017SI-SW-C12 SI-9030		1-ISI-SI-17 Coupling to Pipe	ISI AUG OWN PRE	-	-	-	-	-	-	-	-	-	-	-	-	-	-	-
R-A R1.20-6 1	H-04328-RI II-SI-017SI-SW-C7 SI-9030		1-ISI-SI-17 Pipe to Elbow	ISI AUG OWN PRE	-	-	-	-	-	-	-	-	-	-	-	-	-	-	-
R-A R1.20-6 1	H-04329-RI II-SI-017SI-SW-C8 SI-9030		1-ISI-SI-17 Elbow to Pipe	ISI AUG OWN PRE	-	-	-	-	-	-	-	-	-	-	-	-	-	-	-
R-A R1.20-6 1	H-04330-RI II-SI-017SI-SW-C9 SI-9030		1-ISI-SI-17 Pipe to Elbow	ISI AUG OWN PRE	-	-	-	-	-	-	-	-	-	-	-	-	-	-	-
R-A R1.20-6 1	H-04331-RI II-SI-017SI-SW-D13 SI-9030		1-ISI-SI-17 Tee to Pipe	ISI AUG OWN PRE	-	-	-	-	-	-	-	-	-	-	-	-	-	-	-
R-A R1.20-6 1	H-04332-RI II-SI-017SI-SW-D14 SI-9030		1-ISI-SI-17 Tee to Pipe	ISI AUG OWN PRE	-	-	-	-	-	-	-	-	-	-	-	-	-	-	-
R-A R1.20-6 1	H-04333-RI II-SI-017SI-SW-D15 SI-9030		1-ISI-SI-17 Pipe to Tee	ISI AUG OWN PRE	-	-	-	-	-	-	-	-	-	-	-	-	-	-	-
R-A R1.20-6 1	H-04334-RI II-SI-017SI-SW-D16 SI-9030		1-ISI-SI-17 Elbow to Pipe	ISI AUG OWN PRE	-	-	-	-	-	-	-	-	-	-	-	-	-	-	-

Harris Nuclear Plant 3rd Interval

Category, Item No., Class	Summary No./ComplID/System	Scope Method Procedure	Dwg/ISO No. Desc.	Comp. Code Case	Period 1		Period 2			Period 3		
					RFO-14	RFO-15	RFO-16	RFO-17	RFO-18	RFO-19	RFO-20	
R-A R1.20-6 1	H-04359-RI II-SI-018SI-SW-A3 SI-2080		1-ISI-SI-18 Pipe to Elbow	ISI AUG OWN PRE	-	-	-	-	-	-	-	-
R-A R1.20-6 1	H-04360-RI II-SI-018SI-SW-A4 SI-2080		1-ISI-SI-18 Elbow to Pipe	ISI AUG OWN PRE	-	-	-	-	-	-	-	-
R-A R1.20-6 1	H-04361-RI II-SI-018SI-SW-A5 SI-2080		1-ISI-SI-18 Pipe to Elbow	ISI AUG OWN PRE	-	-	-	-	-	-	-	-
R-A R1.20-6 1	H-04362-RI II-SI-018SI-SW-A6 SI-2080		1-ISI-SI-18 Elbow to Pipe	ISI AUG OWN PRE	-	-	-	-	-	-	-	-
R-A R1.20-6 1	H-04363-RI II-SI-018SI-SW-B3 SI-2080		1-ISI-SI-18 Piping Bend to Elbow	ISI AUG OWN PRE	-	-	-	-	-	-	-	-
R-A R1.20-6 1	H-04364-RI II-SI-018SI-SW-C3 SI-2080		1-ISI-SI-18 Pipe to Elbow	ISI AUG OWN PRE	-	-	-	-	-	-	-	-
R-A R1.20-6 1	H-04365-RI II-SI-018SI-SW-D3 SI-2080		1-ISI-SI-18 Pipe to Coupling	ISI AUG OWN PRE	-	-	-	-	-	-	-	-
R-A R1.20-6 1	H-04366-RI II-SI-018SI-SW-E3 SI-2080		1-ISI-SI-18 Piping Bend to Elbow	ISI AUG OWN PRE	-	-	-	-	-	-	-	-
R-A R1.20-6 1	H-04367-RI II-SI-018SI-SW-E6 SI-2080		1-ISI-SI-18 Piping Bend to Piping Bend	ISI AUG OWN PRE	-	-	-	-	-	-	-	-

Harris Nuclear Plant 3rd Interval

Category, Item No., Class	Summary No./ComplID/System	Scope Method Procedure	Dwg/ISO No. Desc.	Comp. Code Case	Period 1		Period 2			Period 3	
					RFO-14	RFO-15	RFO-16	RFO-17	RFO-18	RFO-19	RFO-20
R-A R1.20-6 1	H-04368-RI II-SI-018SI-SW-F10 SI-2080		1-ISI-SI-18 Elbow to Pipe	ISI AUG OWN PRE	-	-	-	-	-	-	-
R-A R1.20-6 1	H-04369-RI II-SI-018SI-SW-F11 SI-2080		1-ISI-SI-18 Pipe to Elbow	ISI AUG OWN PRE	-	-	-	-	-	-	-
R-A R1.20-6 1	H-04370-RI II-SI-018SI-SW-F3 SI-2080		1-ISI-SI-18 Piping Bend to Elbow	ISI AUG OWN PRE	-	-	-	-	-	-	-
R-A R1.20-6 1	H-04371-RI II-SI-018SI-SW-F4 SI-2080		1-ISI-SI-18 Elbow to Piping Bend	ISI AUG OWN PRE	-	-	-	-	-	-	-
R-A R1.20-6 1	H-04372-RI II-SI-018SI-SW-F5 SI-2080		1-ISI-SI-18 Pipe to Elbow	ISI AUG OWN PRE	-	-	-	-	-	-	-
R-A R1.20-6 1	H-04373-RI II-SI-018SI-SW-F6 SI-2080		1-ISI-SI-18 Elbow to Pipe	ISI AUG OWN PRE	-	-	-	-	-	-	-
R-A R1.20-6 1	H-04374-RI II-SI-018SI-SW-F7 SI-2080		1-ISI-SI-18 Pipe to Elbow	ISI AUG OWN PRE	-	-	-	-	-	-	-
R-A R1.20-6 1	H-04375-RI II-SI-018SI-SW-F8 SI-2080		1-ISI-SI-18 Reducing Tee to Pipe	ISI AUG OWN PRE	-	-	-	-	-	-	-
R-A R1.20-6 1	H-04376-RI II-SI-018SI-SW-F9 SI-2080		1-ISI-SI-18 Pipe to Reducing Tee	ISI AUG OWN PRE	-	-	-	-	-	-	-

Harris Nuclear Plant 3rd Interval

Category, Item No., Class	Summary No./CompID/System	Scope Method Procedure	Dwg/ISO No. Desc.	Comp. Code Case	Period 1		Period 2			Period 3									
					RFO-14	RFO-15	RFO-16	RFO-17	RFO-18	RFO-19	RFO-20								
R-A R1.20-6 2	H-04483-RI II-SI-021SI-SW-A3 SI-2080		1-ISI-SI-21 Elbow to Pipe	ISI AUG OWN PRE	-	-	-	-	-	-	-	-	-	-	-	-	-	-	-
R-A R1.20-6 2	H-04484-RI II-SI-021SI-SW-A4 SI-2080		1-ISI-SI-21 Pipe to Elbow	ISI AUG OWN PRE	-	-	-	-	-	-	-	-	-	-	-	-	-	-	-
R-A R1.20-6 2	H-04486-RI II-SI-021SI-SW-A5 SI-2080		1-ISI-SI-21 Elbow to Pipe	ISI AUG OWN PRE	-	-	-	-	-	-	-	-	-	-	-	-	-	-	-
R-A R1.20-6 2	H-04488-RI II-SI-021SI-SW-A6 SI-2080		1-ISI-SI-21 Pipe to Elbow	ISI AUG OWN PRE	-	-	-	-	-	-	-	-	-	-	-	-	-	-	-
R-A R1.20-6 2	H-04490-RI II-SI-021SI-SW-B3 SI-2080		1-ISI-SI-21 Pipe to Elbow	ISI AUG OWN PRE	-	-	-	-	-	-	-	-	-	-	-	-	-	-	-
R-A R1.20-6 2	H-04491-RI II-SI-021SI-SW-B4 SI-2080		1-ISI-SI-21 Elbow to Pipe	ISI AUG OWN PRE	-	-	-	-	-	-	-	-	-	-	-	-	-	-	-
R-A R1.20-6 1	H-04492-RI II-SI-021SI-SW-C3 SI-2080		1-ISI-SI-21 Elbow to Pipe	ISI AUG OWN PRE	-	-	-	-	-	-	-	-	-	-	-	-	-	-	-
R-A R1.20-6 1	H-04493-RI II-SI-021SI-SW-C4 SI-2080		1-ISI-SI-21 Pipe to Elbow	ISI AUG OWN PRE	-	-	-	-	-	-	-	-	-	-	-	-	-	-	-
R-A R1.20-6 1	H-04494-RI II-SI-021SI-SW-D3 SI-2080		1-ISI-SI-21 Elbow to Pipe	ISI AUG OWN PRE	-	-	-	-	-	-	-	-	-	-	-	-	-	-	-

Harris Nuclear Plant 3rd Interval

Category, Item No., Class	Summary No./CompID/System	Scope Method Procedure	Dwg/ISO No. Desc.	Comp. Code Case	Period 1		Period 2			Period 3	
					RFO-14	RFO-15	RFO-16	RFO-17	RFO-18	RFO-19	RFO-20
R-A	H-04517-RI		1-ISI-SI-22	ISI	-	-	-	-	-	-	-
R1.20-6	II-SI-022SI-SW-A5		Elbow to Pipe	AUG	-	-	-	-	-	-	-
2	SI-2080			OWN	-	-	-	-	-	-	-
				PRE	-	-	-	-	-	-	-
R-A	H-04518-RI		1-ISI-SI-22	ISI	-	-	-	-	-	-	-
R1.20-6	II-SI-022SI-SW-A6		Pipe to Elbow	AUG	-	-	-	-	-	-	-
2	SI-2080			OWN	-	-	-	-	-	-	-
				PRE	-	-	-	-	-	-	-
R-A	H-04519-RI		1-ISI-SI-22	ISI	-	-	-	-	-	-	-
R1.20-6	II-SI-022SI-SW-A9		Pipe to Pipe	AUG	-	-	-	-	-	-	-
2	SI-2080			OWN	-	-	-	-	-	-	-
				PRE	-	-	-	-	-	-	-
R-A	H-04521-RI		1-ISI-SI-22	ISI	-	-	-	-	-	-	-
R1.20-6	II-SI-022SI-SW-B10		Pipe to Piping Bend	AUG	-	-	-	-	-	-	-
2	SI-2080			OWN	-	-	-	-	-	-	-
				PRE	-	-	-	-	-	-	-
R-A	H-04522-RI		1-ISI-SI-22	ISI	-	-	-	-	-	-	-
R1.20-6	II-SI-022SI-SW-B3		Pipe to Elbow	AUG	-	-	-	-	-	-	-
2	SI-2080			OWN	-	-	-	-	-	-	-
				PRE	-	-	-	-	-	-	-
R-A	H-04523-RI		1-ISI-SI-22	ISI	-	-	-	-	-	-	-
R1.20-6	II-SI-022SI-SW-B4		Elbow to Pipe	AUG	-	-	-	-	-	-	-
2	SI-2080			OWN	-	-	-	-	-	-	-
				PRE	-	-	-	-	-	-	-
R-A	H-04524-RI		1-ISI-SI-22	ISI	-	-	-	-	-	-	-
R1.20-6	II-SI-022SI-SW-C3		Pipe to Elbow	AUG	-	-	-	-	-	-	-
1	SI-2080			OWN	-	-	-	-	-	-	-
				PRE	-	-	-	-	-	-	-
R-A	H-04525-RI		1-ISI-SI-22	ISI	-	-	-	-	-	-	-
R1.20-6	II-SI-022SI-SW-C4		Elbow to Pipe	AUG	-	-	-	-	-	-	-
1	SI-2080			OWN	-	-	-	-	-	-	-
				PRE	-	-	-	-	-	-	-
R-A	H-04526-RI		1-ISI-SI-22	ISI	-	-	-	-	-	-	-
R1.20-6	II-SI-022SI-SW-D3		Pipe to Pipe	AUG	-	-	-	-	-	-	-
1	SI-2080			OWN	-	-	-	-	-	-	-
				PRE	-	-	-	-	-	-	-

Harris Nuclear Plant 3rd Interval

Category, Item No., Class	Summary No./CompID/System	Scope Method Procedure	Dwg/ISO No. Desc.	Comp. Code Case	Period 1		Period 2			Period 3	
					RFO-14	RFO-15	RFO-16	RFO-17	RFO-18	RFO-19	RFO-20
R-A	H-04548-RI		1-ISI-SI-23	ISI	-	-	-	-	-	-	-
R1.20-6	II-SI-023SI-SW-A4		Pipe to Elbow	AUG	-	-	-	-	-	-	-
2	SI-2085			OWN	-	-	-	-	-	-	-
				PRE	-	-	-	-	-	-	-
R-A	H-04549-RI		1-ISI-SI-23	ISI	-	-	-	-	-	-	-
R1.20-6	II-SI-023SI-SW-A6		Pipe to Elbow	AUG	-	-	-	-	-	-	-
2	SI-2085			OWN	-	-	-	-	-	-	-
				PRE	-	-	-	-	-	-	-
R-A	H-04550-RI		1-ISI-SI-23	ISI	-	-	-	-	-	-	-
R1.20-6	II-SI-023SI-SW-A7		Elbow to Pipe	AUG	-	-	-	-	-	-	-
2	SI-2085			OWN	-	-	-	-	-	-	-
				PRE	-	-	-	-	-	-	-
R-A	H-04551-RI		1-ISI-SI-23	ISI	-	-	-	-	-	-	-
R1.20-6	II-SI-023SI-SW-A9		Pipe to Pipe	AUG	-	-	-	-	-	-	-
2	SI-2085			OWN	-	-	-	-	-	-	-
				PRE	-	-	-	-	-	-	-
R-A	H-04552-RI		1-ISI-SI-23	ISI	-	-	-	-	-	-	-
R1.20-6	II-SI-023SI-SW-B3		Elbow to Pipe	AUG	-	-	-	-	-	-	-
2	SI-2085			OWN	-	-	-	-	-	-	-
				PRE	-	-	-	-	-	-	-
R-A	H-04553-RI		1-ISI-SI-23	ISI	-	-	-	-	-	-	-
R1.20-6	II-SI-023SI-SW-B4		Pipe to Elbow	AUG	-	-	-	-	-	-	-
2	SI-2085			OWN	-	-	-	-	-	-	-
				PRE	-	-	-	-	-	-	-
R-A	H-04554-RI		1-ISI-SI-23	ISI	-	-	-	-	-	-	-
R1.20-6	II-SI-023SI-SW-C3		Pipe to Elbow	AUG	-	-	-	-	-	-	-
1	SI-2085			OWN	-	-	-	-	-	-	-
				PRE	-	-	-	-	-	-	-
R-A	H-04555-RI		1-ISI-SI-23	ISI	-	-	-	-	-	-	-
R1.20-6	II-SI-023SI-SW-C4		Elbow to Pipe	AUG	-	-	-	-	-	-	-
1	SI-2085			OWN	-	-	-	-	-	-	-
				PRE	-	-	-	-	-	-	-
R-A	H-04557-RI		1-ISI-SI-23	ISI	-	-	-	-	-	-	-
R1.20-6	II-SI-023SI-SW-D4		Pipe to Elbow	AUG	-	-	-	-	-	-	-
1	SI-2085			OWN	-	-	-	-	-	-	-
				PRE	-	-	-	-	-	-	-

Harris Nuclear Plant 3rd Interval

Category, Item No., Class	Summary No./ComplID/System	Scope Method Procedure	Dwg/ISO No. Desc.	Comp. Code Case	Period 1		Period 2			Period 3	
					RFO-14	RFO-15	RFO-16	RFO-17	RFO-18	RFO-19	RFO-20
R-A R1.20-6 1	H-04558-RI II-SI-023SI-SW-D5 SI-2085		1-ISI-SI-23 Elbow to Pipe	ISI AUG OWN PRE	-	-	-	-	-	-	-
R-A R1.20-6 1	H-04559-RI II-SI-023SI-SW-D6 SI-2085		1-ISI-SI-23 Pipe to Elbow	ISI AUG OWN PRE	-	-	-	-	-	-	-
R-A R1.20-6 1	H-04560-RI II-SI-023SI-SW-D7 SI-2085		1-ISI-SI-23 Elbow to Pipe	ISI AUG OWN PRE	-	-	-	-	-	-	-
R-A R1.20-6 1	H-04571-RI II-SI-024SI-FW-585 SI-2085		1-ISI-SI-24 Valve to Pipe	ISI AUG OWN PRE	-	-	-	-	-	-	-
R-A R1.20-6 1	H-04572-RI II-SI-024SI-FW-586 SI-2085		1-ISI-SI-24 Pipe to Elbow	ISI AUG OWN PRE	-	-	-	-	-	-	-
R-A R1.20-6 1	H-04576-RI II-SI-024SI-SW-B12 SI-2085		1-ISI-SI-24 Pipe to Pipe	ISI AUG OWN PRE	-	-	-	-	-	-	-
R-A R1.20-6 1	H-04577-RI II-SI-024SI-SW-B3 SI-2085		1-ISI-SI-24 Elbow to Pipe	ISI AUG OWN PRE	-	-	-	-	-	-	-
R-A R1.20-6 1	H-04578-RI II-SI-024SI-SW-B4 SI-2085		1-ISI-SI-24 Pipe to Elbow	ISI AUG OWN PRE	-	-	-	-	-	-	-
R-A R1.20-6 1	H-04579-RI II-SI-024SI-SW-B5 SI-2085		1-ISI-SI-24 Elbow to Pipe	ISI AUG OWN PRE	-	-	-	-	-	-	-

Harris Nuclear Plant 3rd Interval

Category, Item No., Class	Summary No./CompID/System	Scope Method Procedure	Dwg/ISO No. Desc.	Comp. Code Case	Period 1		Period 2			Period 3		
					RFO-14	RFO-15	RFO-16	RFO-17	RFO-18	RFO-19	RFO-20	
R-A R1.20-6 1	H-04583-RI II-SI-024SI-SW-C3 SI-2085		1-ISI-SI-24 Pipe to Elbow	ISI AUG OWN PRE	-	-	-	-	-	-	-	-
R-A R1.20-6 1	H-04584-RI II-SI-024SI-SW-C4 SI-2085		1-ISI-SI-24 Elbow to Pipe	ISI AUG OWN PRE	-	-	-	-	-	-	-	-
R-A R1.20-6 1	H-04585-RI II-SI-024SI-SW-C5 SI-2085		1-ISI-SI-24 Pipe to Elbow	ISI AUG OWN PRE	-	-	-	-	-	-	-	-
R-A R1.20-6 1	H-04586-RI II-SI-024SI-SW-C6 SI-2085		1-ISI-SI-24 Elbow to Pipe	ISI AUG OWN PRE	-	-	-	-	-	-	-	-
R-A R1.20-6 1	H-04605-RI II-SI-025SI-FW-539 SI-2085		1-ISI-SI-25 Valve to Pipe	ISI AUG OWN PRE	-	-	-	-	-	-	-	-
R-A R1.20-6 2	H-04634-RI II-SI-025SI-SW-F5 SI-2085		1-ISI-SI-25 Piping Bend to Flange	ISI AUG OWN PRE	-	-	-	-	-	-	-	-
R-A R1.20-6 1	H-04636-RI II-SI-025SI-SW-H3 SI-2085		1-ISI-SI-25 Elbow to Pipe	ISI AUG OWN PRE	-	-	-	-	-	-	-	-
R-A R1.20-6 1	H-04637-RI II-SI-025SI-SW-H4 SI-2085		1-ISI-SI-25 Pipe to Elbow	ISI AUG OWN PRE	-	-	-	-	-	-	-	-
R-A R1.20-6 1	H-04642-RI II-SI-025SI-SW-I5 SI-2085		1-ISI-SI-25 Elbow to Pipe	ISI AUG OWN PRE	-	-	-	-	-	-	-	-

Harris Nuclear Plant 3rd Interval

Category, Item No., Class	Summary No./CompID/System	Scope Method Procedure	Dwg/ISO No. Desc.	Comp. Code Case	Period 1		Period 2			Period 3	
					RFO-14	RFO-15	RFO-16	RFO-17	RFO-18	RFO-19	RFO-20
R-A R1.20-6 1	H-04643-RI II-SI-025SI-SW-I6 SI-2085		1-ISI-SI-25 Elbow to Pipe	ISI AUG OWN PRE	-	-	-	-	-	-	-
R-A R1.20-6 1	H-04644-RI II-SI-025SI-SW-I7 SI-2085		1-ISI-SI-25 Pipe to Elbow	ISI AUG OWN PRE	-	-	-	-	-	-	-
R-A R1.20-6 1	H-04645-RI II-SI-025SI-SW-I8 SI-2085		1-ISI-SI-25 Pipe to Elbow	ISI AUG OWN PRE	-	-	-	-	-	-	-
R-A R1.20-6 1	H-04646-RI II-SI-025SI-SW-I9 SI-2085		1-ISI-SI-25 Elbow to Pipe	ISI AUG OWN PRE	-	-	-	-	-	-	-
R-A R1.20-6 1	H-04654-RI II-SI-026SI-155-1-SW-1 SI-2080		1-ISI-SI-26 Pipe to Pipe	ISI AUG OWN PRE	-	-	-	-	-	-	-
R-A R1.20-6 1	H-04655-RI II-SI-026SI-155-1-SW-2 SI-2080		1-ISI-SI-26 Pipe to Elbow	ISI AUG OWN PRE	-	-	-	-	-	-	-
R-A R1.20-6 1	H-04660-RI II-SI-026SI-FW-545 SI-2080		1-ISI-SI-26 Pipe to Elbow	ISI AUG OWN PRE	-	-	-	-	-	-	-
R-A R1.20-6 1	H-04661-RI II-SI-026SI-FW-546 SI-2080		1-ISI-SI-26 Valve to Pipe	ISI AUG OWN PRE	-	-	-	-	-	-	-
R-A R1.20-6 1	H-04672-RI II-SI-026SI-SW-B3 SI-2080		1-ISI-SI-26 Elbow to Pipe	ISI AUG OWN PRE	-	-	-	-	-	-	-

Harris Nuclear Plant 3rd Interval

Category, Item No., Class	Summary No./CompID/System	Scope Method Procedure	Dwg/ISO No. Desc.	Comp. Code Case	Period 1		Period 2			Period 3									
					RFO-14	RFO-15	RFO-16	RFO-17	RFO-18	RFO-19	RFO-20								
R-A R1.20-6 1	H-04673-RI II-SI-026SI-SW-B4 SI-2080		1-ISI-SI-26 Pipe to Elbow	ISI AUG OWN PRE	-	-	-	-	-	-	-	-	-	-	-	-	-	-	-
R-A R1.20-6 1	H-04674-RI II-SI-026SI-SW-B5 SI-2080		1-ISI-SI-26 Elbow to Pipe	ISI AUG OWN PRE	-	-	-	-	-	-	-	-	-	-	-	-	-	-	-
R-A R1.20-6 1	H-04676-RI II-SI-026SI-SW-C3 SI-2080		1-ISI-SI-26 Elbow to Pipe	ISI AUG OWN PRE	-	-	-	-	-	-	-	-	-	-	-	-	-	-	-
R-A R1.20-6 1	H-04677-RI II-SI-026SI-SW-C4 SI-2080		1-ISI-SI-26 Pipe to Elbow	ISI AUG OWN PRE	-	-	-	-	-	-	-	-	-	-	-	-	-	-	-
R-A R1.20-6 1	H-04678-RI II-SI-026SI-SW-C5 SI-2080		1-ISI-SI-26 Elbow to Pipe	ISI AUG OWN PRE	-	-	-	-	-	-	-	-	-	-	-	-	-	-	-
R-A R1.20-6 2	H-04680-RI II-SI-026SI-SW-D6 SI-2080		1-ISI-SI-26 Piping Bend to Piping Bend	ISI AUG OWN PRE	-	-	-	-	-	-	-	-	-	-	-	-	-	-	-
R-A R1.20-6 2	H-04691-RI II-SI-026SI-SW-H4 SI-2080		1-ISI-SI-26 Pipe to Elbow	ISI AUG OWN PRE	-	-	-	-	-	-	-	-	-	-	-	-	-	-	-
R-A R1.20-6 1	H-04703-RI II-SI-027SI-FW-540 SI-2085		1-ISI-SI-27 Elbow to Pipe	ISI AUG OWN PRE	-	-	-	-	-	-	-	-	-	-	-	-	-	-	-
R-A R1.20-6 1	H-04710-RI II-SI-027SI-FW-602 SI-2085		1-ISI-SI-27 Valve to Piping Bend	ISI AUG OWN PRE	-	-	-	-	-	-	-	-	-	-	-	-	-	-	-

Harris Nuclear Plant 3rd Interval

Category, Item No., Class	Summary No./ComplID/System	Scope Method Procedure	Dwg/ISO No. Desc.	Comp. Code Case	Period 1		Period 2			Period 3									
					RFO-14	RFO-15	RFO-16	RFO-17	RFO-18	RFO-19	RFO-20								
R-A R1.20-6 1	H-04711-RI II-SI-027SI-FW-603 SI-2085		1-ISI-SI-27 Elbow to Pipe	ISI AUG OWN PRE	-	-	-	-	-	-	-	-	-	-	-	-	-	-	-
R-A R1.20-6 1	H-04717-RI II-SI-027SI-FW-985 SI-2080		1-ISI-SI-27 Valve to Pipe	ISI AUG OWN PRE	-	-	-	-	-	-	-	-	-	-	-	-	-	-	-
R-A R1.20-6 1	H-04718-RI II-SI-027SI-FW-986 SI-2080		1-ISI-SI-27 Pipe to Sockolet	ISI AUG OWN PRE	-	-	-	-	-	-	-	-	-	-	-	-	-	-	-
R-A R1.20-6 1	H-04722-RI II-SI-027SI-SW-C3 SI-2085		1-ISI-SI-27 Pipe to Elbow	ISI AUG OWN PRE	-	-	-	-	-	-	-	-	-	-	-	-	-	-	-
R-A R1.20-6 1	H-04723-RI II-SI-027SI-SW-C4 SI-2085		1-ISI-SI-27 Elbow to Pipe	ISI AUG OWN PRE	-	-	-	-	-	-	-	-	-	-	-	-	-	-	-
R-A R1.20-6 1	H-04724-RI II-SI-027SI-SW-C5 SI-2085		1-ISI-SI-27 Pipe to Elbow	ISI AUG OWN PRE	-	-	-	-	-	-	-	-	-	-	-	-	-	-	-
R-A R1.20-6 1	H-04725-RI II-SI-027SI-SW-D3 SI-2085		1-ISI-SI-27 Pipe to Elbow	ISI AUG OWN PRE	-	-	-	-	-	-	-	-	-	-	-	-	-	-	-
R-A R1.20-6 1	H-04726-RI II-SI-027SI-SW-D4 SI-2085		1-ISI-SI-27 Elbow to Pipe	ISI AUG OWN PRE	-	-	-	-	-	-	-	-	-	-	-	-	-	-	-
R-A R1.20-6 1	H-04727-RI II-SI-027SI-SW-D5 SI-2085		1-ISI-SI-27 Pipe to Elbow	ISI AUG OWN PRE	-	-	-	-	-	-	-	-	-	-	-	-	-	-	-

Harris Nuclear Plant 3rd Interval

Category, Item No., Class	Summary No./CompID/System	Scope Method Procedure	Dwg/ISO No. Desc.	Comp. Code Case	Period 1		Period 2			Period 3		
					RFO-14	RFO-15	RFO-16	RFO-17	RFO-18	RFO-19	RFO-20	
R-A R1.20-6 2	H-06566-RI II-AF-006AF-14-FW-267 AF-3065		1-ISI-AF-6 Pipe to Reducer	ISI AUG OWN PRE	-	-	-	-	-	-	-	-
R-A R1.20-6 2	H-06567-RI II-AF-007AF-13-FW-257 AF-3065		1-ISI-AF-7 Pipe to Reducer	ISI AUG OWN PRE	-	-	-	-	-	-	-	-
R-A R1.20-7 2	H-01377-RI II-CS-001CS-128-3-SW-1 CS-2060		1-ISI-CS-1 Elbow to Pipe	ISI AUG OWN PRE	-	-	-	-	-	-	-	-
R-A R1.20-7 2	H-01379-RI II-CS-001CS-128-3-SW-2 CS-2060		1-ISI-CS-1 Pipe to Tee	ISI AUG OWN PRE	-	-	-	-	-	-	-	-
R-A R1.20-7 2	H-01388-RI II-CS-001CS-FW-150 CS-2060		1-ISI-CS-1 Pipe to Valve	ISI AUG OWN PRE	-	-	-	-	-	-	-	-
R-A R1.20-7 2	H-01389-RI II-CS-001CS-FW-151 CS-2060		1-ISI-CS-1 Valve to Pipe	ISI AUG OWN PRE	-	-	-	-	-	-	-	-
R-A R1.20-7 2	H-01390-RI II-CS-001CS-FW-152 CS-2060		1-ISI-CS-1 Valve to Pipe	ISI AUG OWN PRE	-	-	-	-	-	-	-	-
R-A R1.20-7 2	H-01402-RI II-CS-001CS-SW-A3 CS-2060		1-ISI-CS-1 Tee to Pipe	ISI AUG OWN PRE	-	-	-	-	-	-	-	-
R-A R1.20-7 2	H-01403-RI II-CS-001CS-SW-A4 CS-2060		1-ISI-CS-1 Pipe to Tee	ISI AUG OWN PRE	-	-	-	-	-	-	-	-

Harris Nuclear Plant 3rd Interval

Category, Item No., Class	Summary No./CompID/System	Scope Method Procedure	Dwg/ISO No. Desc.	Comp. Code Case	Period 1		Period 2			Period 3	
					RFO-14	RFO-15	RFO-16	RFO-17	RFO-18	RFO-19	RFO-20
R-A	H-01802-RI		1-ISI-CS-97	ISI	-	-	-	-	-	-	-
R1.20-7	II-CS-097RC-FW-342		Valve to Pipe	AUG	-	-	-	-	-	-	-
1	RC-2005			OWN	-	-	-	-	-	-	-
				PRE	-	-	-	-	-	-	-
R-A	H-01840-RI		1-ISI-CS-106	ISI	-	-	-	-	-	-	-
R1.20-7	II-CS-106RC-FW-347		Valve to Pipe	AUG	-	-	-	-	-	-	-
1	RC-2005			OWN	-	-	-	-	-	-	-
				PRE	-	-	-	-	-	-	-
R-A	H-01841-RI		1-ISI-CS-106	ISI	-	-	-	-	-	-	-
R1.20-7	II-CS-106RC-FW-348		Pipe to Valve	AUG	-	-	-	-	-	-	-
1	RC-2005			OWN	-	-	-	-	-	-	-
				PRE	-	-	-	-	-	-	-
R-A	H-01872-RI		1-ISI-CT-1	ISI	-	-	-	-	-	-	-
R1.20-7	II-CT-001CT-6-1-SW-1		Pipe to Pipe	AUG	-	-	-	-	-	-	-
2	CT-2070			OWN	-	-	-	-	-	-	-
				PRE	-	-	-	-	-	-	-
R-A	H-01875-RI		1-ISI-CT-1	ISI	-	-	-	-	-	-	-
R1.20-7	II-CT-001CT-6-3-SW-1		Pipe to Pipe	AUG	-	-	-	-	-	-	-
2	CT-2070			OWN	-	-	-	-	-	-	-
				PRE	-	-	-	-	-	-	-
R-A	H-01876-RI		1-ISI-CT-1	ISI	-	-	-	-	-	-	-
R1.20-7	II-CT-001CT-FW-1		Pump to Pipe	AUG	-	-	-	-	-	-	-
2	CT-2070			OWN	-	-	-	-	-	-	-
				PRE	-	-	-	-	-	-	-
R-A	H-01879-RI		1-ISI-CT-1	ISI	-	-	-	-	-	-	-
R1.20-7	II-CT-001CT-FW-16		Pipe to Cavitating Venturi	AUG	-	-	-	-	-	-	-
2	CT-2070			OWN	-	-	-	-	-	-	-
				PRE	-	-	-	-	-	-	-
R-A	H-01881-RI		1-ISI-CT-1	ISI	-	-	-	-	-	-	-
R1.20-7	II-CT-001CT-FW-17		Cavitating Venturi to Pipe	AUG	-	-	-	-	-	-	-
2	CT-2070			OWN	-	-	-	-	-	-	-
				PRE	-	-	-	-	-	-	-
R-A	H-01884-RI		1-ISI-CT-1	ISI	-	-	-	-	-	-	-
R1.20-7	II-CT-001CT-FW-3		Elbow to Pipe	AUG	-	-	-	-	-	-	-
2	CT-2070			OWN	-	-	-	-	-	-	-
				PRE	-	-	-	-	-	-	-

Harris Nuclear Plant 3rd Interval

Category, Item No., Class	Summary No./CompID/System	Scope Method Procedure	Dwg/ISO No. Desc.	Comp. Code Case	Period 1		Period 2			Period 3	
					RFO-14	RFO-15	RFO-16	RFO-17	RFO-18	RFO-19	RFO-20
R-A R1.20-7 2	H-01959-RI II-CT-002CT-SW-A4 CT-2070		1-ISI-CT-2 Pipe to Elbow	ISI AUG OWN PRE	-	-	-	-	-	-	-
R-A R1.20-7 2	H-01961-RI II-CT-002CT-SW-A5 CT-2070		1-ISI-CT-2 Pipe to Elbow	ISI AUG OWN PRE	-	-	-	-	-	-	-
R-A R1.20-7 2	H-01963-RI II-CT-002CT-SW-A6 CT-2070		1-ISI-CT-2 Elbow to Pipe	ISI AUG OWN PRE	-	-	-	-	-	-	-
R-A R1.20-7 2	H-01965-RI II-CT-002CT-SW-B24 CT-2070		1-ISI-CT-2 Pipe to Pipe	ISI AUG OWN PRE	-	-	-	-	-	-	-
R-A R1.20-7 2	H-01967-RI II-CT-002CT-SW-B3 CT-2070		1-ISI-CT-2 Pipe to Elbow	ISI AUG OWN PRE	-	-	-	-	-	-	-
R-A R1.20-7 2	H-01969-RI II-CT-002CT-SW-B4 CT-2070		1-ISI-CT-2 Elbow to Pipe	ISI AUG OWN PRE	-	-	-	-	-	-	-
R-A R1.20-7 2	H-01971-RI II-CT-002CT-SW-B5 CT-2070		1-ISI-CT-2 Pipe to Elbow	ISI AUG OWN PRE	-	-	-	-	-	-	-
R-A R1.20-7 2	H-01972-RI II-CT-002CT-SW-B6 CT-2070		1-ISI-CT-2 Pipe to Pipe	ISI AUG OWN PRE	-	-	-	-	-	-	-
R-A R1.20-7 2	H-01973-RI II-CT-002CT-SW-C3 CT-2070		1-ISI-CT-2 Pipe to Pipe	ISI AUG OWN PRE	-	-	-	-	-	-	-

Harris Nuclear Plant 3rd Interval

Category, Item No., Class	Summary No./CompID/System	Scope Method Procedure	Dwg/ISO No. Desc.	Comp. Code Case	Period 1		Period 2			Period 3	
					RFO-14	RFO-15	RFO-16	RFO-17	RFO-18	RFO-19	RFO-20
R-A	H-02017-RI		1-ISI-CT-7	ISI	-	-	-	-	-	-	-
R1.20-7	II-CT-007CT-FW-30		Valve to Pipe	AUG	-	-	-	-	-	-	-
2	CT-2070			OWN	-	-	-	-	-	-	-
				PRE	-	-	-	-	-	-	-
R-A	H-02024-RI		1-ISI-CT-7	ISI	-	-	-	-	-	-	-
R1.20-7	II-CT-007CT-FW-35		Pipe to Tee	AUG	-	-	-	-	-	-	-
2	CT-2070			OWN	-	-	-	-	-	-	-
				PRE	-	-	-	-	-	-	-
R-A	H-02026-RI		1-ISI-CT-7	ISI	-	-	-	-	-	-	-
R1.20-7	II-CT-007CT-FW-36		Reducing Elbow to Pump	AUG	-	-	-	-	-	-	-
2	CT-2070			OWN	-	-	-	-	-	-	-
				PRE	-	-	-	-	-	-	-
R-A	H-02027-RI		1-ISI-CT-7	ISI	-	-	-	-	-	-	-
R1.20-7	II-CT-007CT-FW-37		Sump Drain Filter Plate to Reducer	AUG	-	-	-	-	-	-	-
2	CT-2070			OWN	-	-	-	-	-	-	-
				PRE	-	-	-	-	-	-	-
R-A	H-02028-RI		1-ISI-CT-7	ISI	-	-	-	-	-	-	-
R1.20-7	II-CT-007CT-FW-53		Pipe to Pipe	AUG	-	-	-	-	-	-	-
2	CT-2070			OWN	-	-	-	-	-	-	-
				PRE	-	-	-	-	-	-	-
R-A	H-02030-RI		1-ISI-CT-7	ISI	-	-	-	-	-	-	-
R1.20-7	II-CT-007CT-FW-54		Elbow to Pipe	AUG	-	-	-	-	-	-	-
2	CT-2070			OWN	-	-	-	-	-	-	-
				PRE	-	-	-	-	-	-	-
R-A	H-02034-RI		1-ISI-CT-7	ISI	-	-	-	-	-	-	-
R1.20-7	II-CT-007CT-FW-55		Elbow to Pipe	AUG	-	-	-	-	-	-	-
2	CT-2070			OWN	-	-	-	-	-	-	-
				PRE	-	-	-	-	-	-	-
R-A	H-02038-RI		1-ISI-CT-7	ISI	-	-	-	-	-	-	-
R1.20-7	II-CT-007CT-FW-56		Elbow to Pipe	AUG	-	-	-	-	-	-	-
2	CT-2070			OWN	-	-	-	-	-	-	-
				PRE	-	-	-	-	-	-	-
R-A	H-02042-RI		1-ISI-CT-7	ISI	-	-	-	-	-	-	-
R1.20-7	II-CT-007CT-FW-80		Outlet Nozzle 1X to Pipe	AUG	-	-	-	-	-	-	-
2	CT-2070			OWN	-	-	-	-	-	-	-
				PRE	-	-	-	-	-	-	-

Harris Nuclear Plant 3rd Interval

Category, Item No., Class	Summary No./CompID/System	Scope Method Procedure	Dwg/ISO No. Desc.	Comp. Code Case	Period 1		Period 2			Period 3	
					RFO-14	RFO-15	RFO-16	RFO-17	RFO-18	RFO-19	RFO-20
R-A	H-02084-RI		1-ISI-CT-7	ISI	-	-	-	-	-	-	-
R1.20-7	II-CT-007CT-SW-C3		Elbow to Pipe	AUG	-	-	-	-	-	-	-
2	CT-2070			OWN	-	-	-	-	-	-	-
				PRE	-	-	-	-	-	-	-
R-A	H-02086-RI		1-ISI-CT-7	ISI	-	-	-	-	-	-	-
R1.20-7	II-CT-007CT-SW-C4		Pipe to Elbow	AUG	-	-	-	-	-	-	-
2	CT-2070			OWN	-	-	-	-	-	-	-
				PRE	-	-	-	-	-	-	-
R-A	H-02088-RI		1-ISI-CT-7	ISI	-	-	-	-	-	-	-
R1.20-7	II-CT-007CT-SW-C5		Elbow to Pipe	AUG	-	-	-	-	-	-	-
2	CT-2070			OWN	-	-	-	-	-	-	-
				PRE	-	-	-	-	-	-	-
R-A	H-02090-RI		1-ISI-CT-7	ISI	-	-	-	-	-	-	-
R1.20-7	II-CT-007CT-SW-D3		Elbow to Pipe	AUG	-	-	-	-	-	-	-
2	CT-2070			OWN	-	-	-	-	-	-	-
				PRE	-	-	-	-	-	-	-
R-A	H-02092-RI		1-ISI-CT-7	ISI	-	-	-	-	-	-	-
R1.20-7	II-CT-007CT-SW-D4		Pipe to Pipe	AUG	-	-	-	-	-	-	-
2	CT-2070			OWN	-	-	-	-	-	-	-
				PRE	-	-	-	-	-	-	-
R-A	H-02095-RI		1-ISI-CT-7	ISI	-	-	-	-	-	-	-
R1.20-7	II-CT-007CT-SW-E3		Elbow to Pipe	AUG	-	-	-	-	-	-	-
2	CT-2070			OWN	-	-	-	-	-	-	-
				PRE	-	-	-	-	-	-	-
R-A	H-02097-RI		1-ISI-CT-7	ISI	-	-	-	-	-	-	-
R1.20-7	II-CT-007CT-SW-E4		Pipe to Elbow	AUG	-	-	-	-	-	-	-
2	CT-2070			OWN	-	-	-	-	-	-	-
				PRE	-	-	-	-	-	-	-
R-A	H-02099-RI		1-ISI-CT-7	ISI	-	-	-	-	-	-	-
R1.20-7	II-CT-007CT-SW-E5		Elbow to Elbow	AUG	-	-	-	-	-	-	-
2	CT-2070			OWN	-	-	-	-	-	-	-
				PRE	-	-	-	-	-	-	-
R-A	H-02100-RI		1-ISI-CT-7	ISI	-	-	-	-	-	-	-
R1.20-7	II-CT-007CT-SW-E6		Elbow to Pipe	AUG	-	-	-	-	-	-	-
2	CT-2070			OWN	-	-	-	-	-	-	-
				PRE	-	-	-	-	-	-	-

Harris Nuclear Plant 3rd Interval

Category, Item No., Class	Summary No./CompID/System	Scope Method Procedure	Dwg/ISO No. Desc.	Comp. Code Case	Period 1		Period 2			Period 3	
					RFO-14	RFO-15	RFO-16	RFO-17	RFO-18	RFO-19	RFO-20
R-A R1.20-7 2	H-02102-RI II-CT-007CT-SW-E7 CT-2070		1-ISI-CT-7 Pipe to Elbow	ISI AUG OWN PRE	-	-	-	-	-	-	-
R-A R1.20-7 2	H-02104-RI II-CT-007CT-SW-E8 CT-2070		1-ISI-CT-7 Elbow to Pipe	ISI AUG OWN PRE	-	-	-	-	-	-	-
R-A R1.20-7 2	H-02106-RI II-CT-007CT-SW-F3 CT-2070		1-ISI-CT-7 Pipe to Reducing Elbow	ISI AUG OWN PRE	-	-	-	-	-	-	-
R-A R1.20-7 2	H-02108-RI II-CT-007CT-SW-F4 CT-2070		1-ISI-CT-7 Tee to Pipe	ISI AUG OWN PRE	-	-	-	-	-	-	-
R-A R1.20-7 2	H-02110-RI II-CT-007CT-SW-F5 CT-2070		1-ISI-CT-7 Pipe to Tee	ISI AUG OWN PRE	-	-	-	-	-	-	-
R-A R1.20-7 2	H-02112-RI II-CT-007CT-SW-F6 CT-2070		1-ISI-CT-7 Tee to Pipe	ISI AUG OWN PRE	-	-	-	-	-	-	-
R-A R1.20-7 2	H-02114-RI II-CT-007CT-SW-F7 CT-2070		1-ISI-CT-7 Tee to Flange	ISI AUG OWN PRE	-	-	-	-	-	-	-
R-A R1.20-7 2	H-02115-RI II-CT-007CT-SW-F8 CT-2070		1-ISI-CT-7 Pipe to Tee	ISI AUG OWN PRE	-	-	-	-	-	-	-
R-A R1.20-7 2	H-02119-RI II-CT-007CT-SW-J12 CT-2070		1-ISI-CT-7 Elbow to Pipe	ISI AUG OWN PRE	-	-	-	-	-	-	-

Harris Nuclear Plant 3rd Interval

Category, Item No., Class	Summary No./CompID/System	Scope Method Procedure	Dwg/ISO No. Desc.	Comp. Code Case	Period 1		Period 2			Period 3		
					RFO-14	RFO-15	RFO-16	RFO-17	RFO-18	RFO-19	RFO-20	
R-A R1.20-7 2	H-02244-RI II-CT-008CT-15-1-SW-3 CT-2070		1-ISI-CT-8 Elbow to Pipe	ISI AUG OWN PRE	-	-	-	-	-	-	-	-
R-A R1.20-7 2	H-02248-RI II-CT-008CT-16-17-SW-1 CT-2070		1-ISI-CT-8 Pipe to Pipe	ISI AUG OWN PRE	-	-	-	-	-	-	-	-
R-A R1.20-7 2	H-02251-RI II-CT-008CT-FW-38 CT-2070		1-ISI-CT-8 Pipe to Pipe	ISI AUG OWN PRE	-	-	-	-	-	-	-	-
R-A R1.20-7 2	H-02254-RI II-CT-008CT-FW-39 CT-2070		1-ISI-CT-8 Pipe to Valve	ISI AUG OWN PRE	-	-	-	-	-	-	-	-
R-A R1.20-7 2	H-02256-RI II-CT-008CT-FW-40 CT-2070		1-ISI-CT-8 Valve to Pipe	ISI AUG OWN PRE	-	-	-	-	-	-	-	-
R-A R1.20-7 2	H-02258-RI II-CT-008CT-FW-41 CT-2070		1-ISI-CT-8 Pipe to Elbow	ISI AUG OWN PRE	-	-	-	-	-	-	-	-
R-A R1.20-7 2	H-02260-RI II-CT-008CT-FW-42 CT-2070		1-ISI-CT-8 Elbow to Pipe	ISI AUG OWN PRE	-	-	-	-	-	-	-	-
R-A R1.20-7 2	H-02262-RI II-CT-008CT-FW-43 CT-2070		1-ISI-CT-8 Pipe to Elbow	ISI AUG OWN PRE	-	-	-	-	-	-	-	-
R-A R1.20-7 2	H-02264-RI II-CT-008CT-FW-45 CT-2070		1-ISI-CT-8 Valve to Pipe	ISI AUG OWN PRE	-	-	-	-	-	-	-	-

Harris Nuclear Plant 3rd Interval

Category, Item No., Class	Summary No./ComplID/System	Scope Method Procedure	Dwg/ISO No. Desc.	Comp. Code Case	Period 1		Period 2			Period 3	
					RFO-14	RFO-15	RFO-16	RFO-17	RFO-18	RFO-19	RFO-20
R-A R1.20-7 2	H-02353-RI II-CT-008CT-SW-K3 CT-2070		1-ISI-CT-8 Pipe to Elbow	ISI AUG OWN PRE	- - - -	- - - -	- - - -	- - - -	- - - -	- - - -	- - - -
R-A R1.20-7 2	H-02355-RI II-CT-008CT-SW-K4 CT-2070		1-ISI-CT-8 Elbow to Pipe	ISI AUG OWN PRE	- - - -	- - - -	- - - -	- - - -	- - - -	- - - -	- - - -
R-A R1.20-7 2	H-02357-RI II-CT-008CT-SW-L4 CT-2070		1-ISI-CT-8 Elbow to Pipe	ISI AUG OWN PRE	- - - -	- - - -	- - - -	- - - -	- - - -	- - - -	- - - -
R-A R1.20-7 2	H-02361-RI II-CT-008CT-SW-M3 CT-2070		1-ISI-CT-8 Elbow to Pipe	ISI AUG OWN PRE	- - - -	- - - -	- - - -	- - - -	- - - -	- - - -	- - - -
R-A R1.20-7 2	H-02365-RI II-CT-014CT-FW-174 CT-2070		1-ISI-CT-14 Flued Head to Elbow	ISI AUG OWN PRE	- - - -	- - - -	- - - -	- - - -	- - - -	- - - -	- - - -
R-A R1.20-7 2	H-02366-RI II-CT-014CT-FW-175 CT-2070		1-ISI-CT-14 Pipe to Valve	ISI AUG OWN PRE	- - - -	- - - -	- - - -	- - - -	- - - -	- - - -	- - - -
R-A R1.20-7 2	H-02367-RI II-CT-014CT-FW-176 CT-2070		1-ISI-CT-14 Valve to Pipe	ISI AUG OWN PRE	- - - -	- - - -	- - - -	- - - -	- - - -	- - - -	- - - -
R-A R1.20-7 2	H-02368-RI II-CT-014CT-FW-178 CT-2070		1-ISI-CT-14 Pipe to Piping Bend	ISI AUG OWN PRE	- - - -	- - - -	- - - -	- - - -	- - - -	- - - -	- - - -
R-A R1.20-7 2	H-02369-RI II-CT-014CT-FW-179 CT-2070		1-ISI-CT-14 Piping Bend to Pipe	ISI AUG OWN PRE	- - - -	- - - -	- - - -	- - - -	- - - -	- - - -	- - - -

Harris Nuclear Plant 3rd Interval

Category, Item No., Class	Summary No./CompID/System	Scope Method Procedure	Dwg/ISO No. Desc.	Comp. Code Case	Period 1		Period 2			Period 3		
					RFO-14	RFO-15	RFO-16	RFO-17	RFO-18	RFO-19	RFO-20	
R-A R1.20-7 2	H-02370-RI II-CT-014CT-FW-185 CT-2070		1-ISI-CT-14 Pipe to Valve	ISI AUG OWN PRE	-	-	-	-	-	-	-	-
R-A R1.20-7 2	H-02371-RI II-CT-014CT-M24-PW-1 CT-2070		1-ISI-CT-14 Flued Head to Pipe	ISI AUG OWN PRE	-	-	-	-	-	-	-	-
R-A R1.20-7 2	H-02372-RI II-CT-014CT-SW-A3 CT-2070		1-ISI-CT-14 Elbow to Pipe	ISI AUG OWN PRE	-	-	-	-	-	-	-	-
R-A R1.20-7 2	H-02373-RI II-CT-014CT-SW-B3 CT-2070		1-ISI-CT-14 Pipe to Elbow	ISI AUG OWN PRE	-	-	-	-	-	-	-	-
R-A R1.20-7 2	H-02374-RI II-CT-014CT-SW-B4 CT-2070		1-ISI-CT-14 Elbow to Pipe	ISI AUG OWN PRE	-	-	-	-	-	-	-	-
R-A R1.20-7 2	H-02375-RI II-CT-014CT-SW-B6 CT-2070		1-ISI-CT-14 Pipe to Pipe	ISI AUG OWN PRE	-	-	-	-	-	-	-	-
R-A R1.20-7 2	H-02376-RI II-CT-014CT-SW-C3 CT-2070		1-ISI-CT-14 Piping Bend to Piping Bend	ISI AUG OWN PRE	-	-	-	-	-	-	-	-
R-A R1.20-7 2	H-02377-RI II-CT-014CT-SW-D3 CT-2070		1-ISI-CT-14 Tee, Reducing to Pipe	ISI AUG OWN PRE	-	-	-	-	-	-	-	-
R-A R1.20-7 2	H-02378-RI II-CT-014CT-SW-D4 CT-2070		1-ISI-CT-14 Pipe to Reducing Tee	ISI AUG OWN PRE	-	-	-	-	-	-	-	-

Harris Nuclear Plant 3rd Interval

Category, Item No., Class	Summary No./CompID/System	Scope Method Procedure	Dwg/ISO No. Desc.	Comp. Code Case	Period 1		Period 2			Period 3		
					RFO-14	RFO-15	RFO-16	RFO-17	RFO-18	RFO-19	RFO-20	
R-A R1.20-7 1	H-03020-RI II-RC-017RC-FW-338 RC-2005		1-ISI-RC-17 Pipe to Valve	ISI AUG OWN PRE	-	-	-	-	-	-	-	-
R-A R1.20-7 2	H-03201-RI II-RH-001CT-14-4-SW-1 CT-2070		1-ISI-RH-1 Pipe to Pipe	ISI AUG OWN PRE	-	-	-	-	-	-	-	-
R-A R1.20-7 2	H-03204-RI II-RH-001CT-14-4-SW-2 CT-2070		1-ISI-RH-1 Pipe to Pipe	ISI AUG OWN PRE	-	-	-	-	-	-	-	-
R-A R1.20-7 2	H-03207-RI II-RH-001CT-14-4-SW-3 CT-2070		1-ISI-RH-1 Pipe to Pipe	ISI AUG OWN PRE	-	-	-	-	-	-	-	-
R-A R1.20-7 2	H-03210-RI II-RH-001CT-FW-57 CT-2070		1-ISI-RH-1 Pipe to Valve	ISI AUG OWN PRE	-	-	-	-	-	-	-	-
R-A R1.20-7 2	H-03212-RI II-RH-001CT-SW-Q3 CT-2070		1-ISI-RH-1 Elbow to Pipe	ISI AUG OWN PRE	-	-	-	-	-	-	-	-
R-A R1.20-7 2	H-03216-RI II-RH-001CT-SW-Q4 CT-2070		1-ISI-RH-1 Pipe to Elbow	ISI AUG OWN PRE	-	-	-	-	-	-	-	-
R-A R1.20-7 2	H-03220-RI II-RH-001CT-SW-Q5 CT-2070		1-ISI-RH-1 Elbow to Pipe	ISI AUG OWN PRE	-	-	-	-	-	-	-	-
R-A R1.20-7 2	H-03224-RI II-RH-001CT-SW-Q6 CT-2070		1-ISI-RH-1 Pipe to Elbow	ISI AUG OWN PRE	-	-	-	-	-	-	-	-

Harris Nuclear Plant 3rd Interval

Category, Item No., Class	Summary No./CompID/System	Scope Method Procedure	Dwg/ISO No. Desc.	Comp. Code Case	Period 1		Period 2			Period 3	
					RFO-14	RFO-15	RFO-16	RFO-17	RFO-18	RFO-19	RFO-20
R-A R1.20-7 2	H-03228-RI II-RH-001CT-SW-Q7 CT-2070		1-ISI-RH-1 Elbow to Pipe	ISI AUG OWN PRE	- - - -	- - - -	- - - -	- - - -	- - - -	- - - -	- - - -
R-A R1.20-7 2	H-03232-RI II-RH-001CT-SW-Q8 CT-2070		1-ISI-RH-1 Pipe to Elbow	ISI AUG OWN PRE	- - - -	- - - -	- - - -	- - - -	- - - -	- - - -	- - - -
R-A R1.20-7 2	H-03344-RI II-RH-001SI-FW-11 SI-2085		1-ISI-RH-1 Pipe to Valve	ISI AUG OWN PRE	- - - -	- - - -	- - - -	- - - -	- - - -	- - - -	- - - -
R-A R1.20-7 2	H-03346-RI II-RH-001SI-FW-12 SI-2085		1-ISI-RH-1 Valve to Pipe	ISI AUG OWN PRE	- - - -	- - - -	- - - -	- - - -	- - - -	- - - -	- - - -
R-A R1.20-7 2	H-03384-RI II-RH-002CT-FW-61 CT-2070		1-ISI-RH-2 Elbow to Pipe	ISI AUG OWN PRE	- - - -	- - - -	- - - -	- - - -	- - - -	- - - -	- - - -
R-A R1.20-7 2	H-03388-RI II-RH-002CT-FW-62 CT-2070		1-ISI-RH-2 Pipe to Valve	ISI AUG OWN PRE	- - - -	- - - -	- - - -	- - - -	- - - -	- - - -	- - - -
R-A R1.20-7 2	H-03390-RI II-RH-002CT-SW-P3 CT-2070		1-ISI-RH-2 Elbow to Pipe	ISI AUG OWN PRE	- - - -	- - - -	- - - -	- - - -	- - - -	- - - -	- - - -
R-A R1.20-7 2	H-03394-RI II-RH-002CT-SW-P4 CT-2070		1-ISI-RH-2 Pipe to Elbow	ISI AUG OWN PRE	- - - -	- - - -	- - - -	- - - -	- - - -	- - - -	- - - -
R-A R1.20-7 2	H-03398-RI II-RH-002CT-SW-P5 CT-2070		1-ISI-RH-2 Elbow to Pipe	ISI AUG OWN PRE	- - - -	- - - -	- - - -	- - - -	- - - -	- - - -	- - - -

Harris Nuclear Plant 3rd Interval

Category, Item No., Class	Summary No./CompID/System	Scope Method Procedure	Dwg/ISO No. Desc.	Comp. Code Case	Period 1		Period 2			Period 3									
					RFO-14	RFO-15	RFO-16	RFO-17	RFO-18	RFO-19	RFO-20								
R-A R1.20-7 2	H-03546-RI II-RH-002SI-FW-23 SI-2085		1-ISI-RH-2 Pipe to Valve	ISI AUG OWN PRE	-	-	-	-	-	-	-	-	-	-	-	-	-	-	-
R-A R1.20-7 2	H-03548-RI II-RH-002SI-FW-24 SI-2085		1-ISI-RH-2 Valve to Pipe	ISI AUG OWN PRE	-	-	-	-	-	-	-	-	-	-	-	-	-	-	-
R-A R1.20-7 2	H-04113-RI II-SI-009CT-16-14-SW-1 CT-2070		1-ISI-SI-9 Pipe to Pipe	ISI AUG OWN PRE	-	-	-	-	-	-	-	-	-	-	-	-	-	-	-
R-A R1.20-7 2	H-04114-RI II-SI-009CT-FW-95 CT-2070		1-ISI-SI-9 Valve to Pipe	ISI AUG OWN PRE	-	-	-	-	-	-	-	-	-	-	-	-	-	-	-
R-A R1.20-7 2	H-04115-RI II-SI-009CT-FW-96 CT-2070		1-ISI-SI-9 Elbow to Pipe	ISI AUG OWN PRE	-	-	-	-	-	-	-	-	-	-	-	-	-	-	-
R-A R1.20-7 2	H-04116-RI II-SI-009CT-SW-H3 CT-2070		1-ISI-SI-9 Pipe to Elbow	ISI AUG OWN PRE	-	-	-	-	-	-	-	-	-	-	-	-	-	-	-
R-A R1.20-7 2	H-04117-RI II-SI-009CT-SW-H4 CT-2070		1-ISI-SI-9 Elbow to Pipe	ISI AUG OWN PRE	-	-	-	-	-	-	-	-	-	-	-	-	-	-	-
R-A R1.20-7 2	H-04118-RI II-SI-009CT-SW-H5 CT-2070		1-ISI-SI-9 Pipe to Elbow	ISI AUG OWN PRE	-	-	-	-	-	-	-	-	-	-	-	-	-	-	-
R-A R1.20-7 2	H-04119-RI II-SI-009CT-SW-I3 CT-2070		1-ISI-SI-9 Pipe to Elbow	ISI AUG OWN PRE	-	-	-	-	-	-	-	-	-	-	-	-	-	-	-

Harris Nuclear Plant 3rd Interval

Category, Item No., Class	Summary No./CompID/System	Scope Method Procedure	Dwg/ISO No. Desc.	Comp. Code Case	Period 1		Period 2			Period 3									
					RFO-14	RFO-15	RFO-16	RFO-17	RFO-18	RFO-19	RFO-20								
R-A R1.20-7 2	H-04125-RI II-SI-009SI-FW-2 RH-2085		1-ISI-SI-9 Valve to Pipe	ISI AUG OWN PRE	-	-	-	-	-	-	-	-	-	-	-	-	-	-	-
R-A R1.20-7 2	H-04138-RI II-SI-009SI-FW-284 SI-2085		1-ISI-SI-9 Pipe to Valve	ISI AUG OWN PRE	-	-	-	-	-	-	-	-	-	-	-	-	-	-	-
R-A R1.20-7 2	H-04176-RI II-SI-009SI-SW-E7 SI-2085		1-ISI-SI-9 Pipe to Elbow	ISI AUG OWN PRE	-	-	-	-	-	-	-	-	-	-	-	-	-	-	-
R-A R1.20-7 2	H-04177-RI II-SI-009SI-SW-E8 SI-2085		1-ISI-SI-9 Elbow to Pipe	ISI AUG OWN PRE	-	-	-	-	-	-	-	-	-	-	-	-	-	-	-
R-A R1.20-7 2	H-04240-RI II-SI-016SI-138-4-SW-1 SI-2080		1-ISI-SI-16 Elbow to Pipe	ISI AUG OWN PRE	-	-	-	-	-	-	-	-	-	-	-	-	-	-	-
R-A R1.20-7 2	H-04241-RI II-SI-016SI-138-4-SW-2 SI-2080		1-ISI-SI-16 Pipe to Elbow	ISI AUG OWN PRE	-	-	-	-	-	-	-	-	-	-	-	-	-	-	-
R-A R1.20-7 2	H-04242-RI II-SI-016SI-139-2-SW-1 SI-2080		1-ISI-SI-16 Piping Bend to Piping Bend	ISI AUG OWN PRE	-	-	-	-	-	-	-	-	-	-	-	-	-	-	-
R-A R1.20-7 2	H-04243-RI II-SI-016SI-139-2-SW-3 SI-2080		1-ISI-SI-16 Piping Bend to Piping Bend	ISI AUG OWN PRE	-	-	-	-	-	-	-	-	-	-	-	-	-	-	-
R-A R1.20-7 2	H-04244-RI II-SI-016SI-139-2-SW-4 SI-2080		1-ISI-SI-16 Piping Bend to Piping Bend	ISI AUG OWN PRE	-	-	-	-	-	-	-	-	-	-	-	-	-	-	-

Harris Nuclear Plant 3rd Interval

Category, Item No., Class	Summary No./ComplD/System	Scope Method Procedure	Dwg/ISO No. Desc.	Comp. Code Case	Period 1		Period 2			Period 3									
					RFO-14	RFO-15	RFO-16	RFO-17	RFO-18	RFO-19	RFO-20								
R-A R1.20-7 2	H-04281-RI II-SI-016SI-SW-D8 SI-2080		1-ISI-SI-16 Pipe to Coupling	ISI AUG OWN PRE	-	-	-	-	-	-	-	-	-	-	-	-	-	-	-
R-A R1.20-7 2	H-04282-RI II-SI-016SI-SW-D9 SI-2080		1-ISI-SI-16 Pipe to Socket	ISI AUG OWN PRE	-	-	-	-	-	-	-	-	-	-	-	-	-	-	-
R-A R1.20-7 2	H-04283-RI II-SI-016SI-SW-E3 SI-2080		1-ISI-SI-16 Pipe to Elbow	ISI AUG OWN PRE	-	-	-	-	-	-	-	-	-	-	-	-	-	-	-
R-A R1.20-7 2	H-04284-RI II-SI-016SI-SW-F3 SI-2080		1-ISI-SI-16 Pipe to Flange	ISI AUG OWN PRE	-	-	-	-	-	-	-	-	-	-	-	-	-	-	-
R-A R1.20-7 2	H-04285-RI II-SI-016SI-SW-G3 SI-2080		1-ISI-SI-16 Flange to Pipe	ISI AUG OWN PRE	-	-	-	-	-	-	-	-	-	-	-	-	-	-	-
R-A R1.20-7 2	H-04286-RI II-SI-016SI-SW-I10 SI-2080		1-ISI-SI-16 Pipe to Elbow	ISI AUG OWN PRE	-	-	-	-	-	-	-	-	-	-	-	-	-	-	-
R-A R1.20-7 2	H-04287-RI II-SI-016SI-SW-I11 SI-2080		1-ISI-SI-16 Elbow to Pipe	ISI AUG OWN PRE	-	-	-	-	-	-	-	-	-	-	-	-	-	-	-
R-A R1.20-7 2	H-04288-RI II-SI-016SI-SW-I12 SI-2080		1-ISI-SI-16 Piping Bend to Elbow	ISI AUG OWN PRE	-	-	-	-	-	-	-	-	-	-	-	-	-	-	-
R-A R1.20-7 2	H-04289-RI II-SI-016SI-SW-I9 SI-2080		1-ISI-SI-16 Elbow to Pipe	ISI AUG OWN PRE	-	-	-	-	-	-	-	-	-	-	-	-	-	-	-

Harris Nuclear Plant 3rd Interval

Category, Item No., Class	Summary No./CompID/System	Scope Method Procedure	Dwg/ISO No. Desc.	Comp. Code Case	Period 1		Period 2			Period 3		
					RFO-14	RFO-15	RFO-16	RFO-17	RFO-18	RFO-19	RFO-20	
R-A R1.20-7 2	H-04290-RI II-SI-016SI-SW-J8 SI-2080		1-ISI-SI-16 Coupling to Piping Bend	ISI AUG OWN PRE	-	-	-	-	-	-	-	-
R-A R1.20-7 2	H-04291-RI II-SI-016SI-SW-K7 SI-2080		1-ISI-SI-16 Coupling to Piping Bend	ISI AUG OWN PRE	-	-	-	-	-	-	-	-
R-A R1.20-7 2	H-04292-RI II-SI-016SI-SW-L16 SI-2080		1-ISI-SI-16 Pipe to Piping Bend	ISI AUG OWN PRE	-	-	-	-	-	-	-	-
R-A R1.20-7 2	H-04293-RI II-SI-016SI-SW-L7 SI-2080		1-ISI-SI-16 Coupling to Pipe	ISI AUG OWN PRE	-	-	-	-	-	-	-	-
R-A R1.20-7 2	H-04294-RI II-SI-016SI-SW-M6 SI-2080		1-ISI-SI-16 Coupling to Piping Bend	ISI AUG OWN PRE	-	-	-	-	-	-	-	-
R-A R1.20-7 2	H-04295-RI II-SI-016SI-SW-O3 SI-2080		1-ISI-SI-16 Flange to Pipe	ISI AUG OWN PRE	-	-	-	-	-	-	-	-
R-A R1.20-7 2	H-04296-RI II-SI-016SI-SW-Q3 SI-2080		1-ISI-SI-16 Piping Bend to Coupling	ISI AUG OWN PRE	-	-	-	-	-	-	-	-
R-A R1.20-7 2	H-04297-RI II-SI-016SI-SW-Q7 SI-2080		1-ISI-SI-16 Piping Bend to Piping Bend	ISI AUG OWN PRE	-	-	-	-	-	-	-	-
R-A R1.20-7 2	H-04303-RI II-SI-017SI-140-3-SW-1 SI-9030		1-ISI-SI-17 Elbow to Pipe	ISI AUG OWN PRE	-	-	-	-	-	-	-	-

Harris Nuclear Plant 3rd Interval

Category, Item No., Class	Summary No./CompID/System	Scope Method Procedure	Dwg/ISO No. Desc.	Comp. Code Case	Period 1		Period 2			Period 3	
					RFO-14	RFO-15	RFO-16	RFO-17	RFO-18	RFO-19	RFO-20
R-A	H-04304-RI		1-ISI-SI-17	ISI	-	-	-	-	-	-	-
R1.20-7	II-SI-017SI-140-6-SW-1		Piping Bend to Elbow	AUG	-	-	-	-	-	-	-
2	SI-9030			OWN	-	-	-	-	-	-	-
				PRE	-	-	-	-	-	-	-
R-A	H-04305-RI		1-ISI-SI-17	ISI	-	-	-	-	-	-	-
R1.20-7	II-SI-017SI-140-6-SW-2		Elbow to Pipe	AUG	-	-	-	-	-	-	-
2	SI-9030			OWN	-	-	-	-	-	-	-
				PRE	-	-	-	-	-	-	-
R-A	H-04306-RI		1-ISI-SI-17	ISI	-	-	-	-	-	-	-
R1.20-7	II-SI-017SI-140-6-SW-3		Pipe to Elbow	AUG	-	-	-	-	-	-	-
2	SI-9030			OWN	-	-	-	-	-	-	-
				PRE	-	-	-	-	-	-	-
R-A	H-04307-RI		1-ISI-SI-17	ISI	-	-	-	-	-	-	-
R1.20-7	II-SI-017SI-140-6-SW-4		Elbow to Pipe	AUG	-	-	-	-	-	-	-
2	SI-9030			OWN	-	-	-	-	-	-	-
				PRE	-	-	-	-	-	-	-
R-A	H-04308-RI		1-ISI-SI-17	ISI	-	-	-	-	-	-	-
R1.20-7	II-SI-017SI-FW-405		Piping Bend to Elbow	AUG	-	-	-	-	-	-	-
2	SI-9030			OWN	-	-	-	-	-	-	-
				PRE	-	-	-	-	-	-	-
R-A	H-04309-RI		1-ISI-SI-17	ISI	-	-	-	-	-	-	-
R1.20-7	II-SI-017SI-FW-406		Coupling to Piping Bend	AUG	-	-	-	-	-	-	-
2	SI-9030			OWN	-	-	-	-	-	-	-
				PRE	-	-	-	-	-	-	-
R-A	H-04310-RI		1-ISI-SI-17	ISI	-	-	-	-	-	-	-
R1.20-7	II-SI-017SI-FW-407		Coupling to Piping Bend	AUG	-	-	-	-	-	-	-
2	SI-9030			OWN	-	-	-	-	-	-	-
				PRE	-	-	-	-	-	-	-
R-A	H-04311-RI		1-ISI-SI-17	ISI	-	-	-	-	-	-	-
R1.20-7	II-SI-017SI-FW-408		Coupling to Piping Bend	AUG	-	-	-	-	-	-	-
2	SI-9030			OWN	-	-	-	-	-	-	-
				PRE	-	-	-	-	-	-	-
R-A	H-04312-RI		1-ISI-SI-17	ISI	-	-	-	-	-	-	-
R1.20-7	II-SI-017SI-FW-409		Elbow to Piping Bend	AUG	-	-	-	-	-	-	-
2	SI-9030			OWN	-	-	-	-	-	-	-
				PRE	-	-	-	-	-	-	-

Harris Nuclear Plant 3rd Interval

Category, Item No., Class	Summary No./ComplID/System	Scope Method Procedure	Dwg/ISO No. Desc.	Comp. Code Case	Period 1		Period 2			Period 3									
					RFO-14	RFO-15	RFO-16	RFO-17	RFO-18	RFO-19	RFO-20								
R-A R1.20-7 2	H-04438-RI II-SI-020SI-FW-374 SI-2080		1-ISI-SI-20 Piping Bend to Valve	ISI AUG OWN PRE	-	-	-	-	-	-	-	-	-	-	-	-	-	-	-
R-A R1.20-7 2	H-04566-RI II-SI-024SI-213-FW-573 SI-2085		1-ISI-SI-24 Piping Bend to Valve	ISI AUG OWN PRE	-	-	-	-	-	-	-	-	-	-	-	-	-	-	-
R-A R1.20-7 2	H-04569-RI II-SI-024SI-FW-571 SI-2085		1-ISI-SI-24 Piping Bend to Elbow	ISI AUG OWN PRE	-	-	-	-	-	-	-	-	-	-	-	-	-	-	-
R-A R1.20-7 2	H-04570-RI II-SI-024SI-FW-572 SI-2085		1-ISI-SI-24 Pipe to Piping Bend	ISI AUG OWN PRE	-	-	-	-	-	-	-	-	-	-	-	-	-	-	-
R-A R1.20-7 2	H-04588-RI II-SI-024SI-SW-D3 SI-2085		1-ISI-SI-24 Elbow to Piping Bend	ISI AUG OWN PRE	-	-	-	-	-	-	-	-	-	-	-	-	-	-	-
R-A R1.20-7 2	H-04589-RI II-SI-024SI-SW-D4 SI-2085		1-ISI-SI-24 Pipe to Elbow	ISI AUG OWN PRE	-	-	-	-	-	-	-	-	-	-	-	-	-	-	-
R-A R1.20-7 2	H-04590-RI II-SI-024SI-SW-D5 SI-2085		1-ISI-SI-24 Elbow to Pipe	ISI AUG OWN PRE	-	-	-	-	-	-	-	-	-	-	-	-	-	-	-
R-A R1.20-7 2	H-04591-RI II-SI-024SI-SW-E5 SI-2085		1-ISI-SI-24 Piping Bend to Piping Bend	ISI AUG OWN PRE	-	-	-	-	-	-	-	-	-	-	-	-	-	-	-
R-A R1.20-7 2	H-04592-RI II-SI-024SI-SW-F10 SI-2085		1-ISI-SI-24 Piping Bend to Pipe	ISI AUG OWN PRE	-	-	-	-	-	-	-	-	-	-	-	-	-	-	-

Harris Nuclear Plant 3rd Interval

Category, Item No., Class	Summary No./ComplID/System	Scope Method Procedure	Dwg/ISO No. Desc.	Comp. Code Case	Period 1		Period 2			Period 3	
					RFO-14	RFO-15	RFO-16	RFO-17	RFO-18	RFO-19	RFO-20
R-A	H-04593-RI		1-ISI-SI-24	ISI	-	-	-	-	-	-	-
R1.20-7	II-SI-024SI-SW-F6		Pipe to Pipe	AUG	-	-	-	-	-	-	-
2	SI-2085			OWN	-	-	-	-	-	-	-
				PRE	-	-	-	-	-	-	-
R-A	H-04599-RI		1-ISI-SI-25	ISI	-	-	-	-	-	-	-
R1.20-7	II-SI-025SI-215-FW-573		Elbow to Piping Bend	AUG	-	-	-	-	-	-	-
2	SI-2085			OWN	-	-	-	-	-	-	-
				PRE	-	-	-	-	-	-	-
R-A	H-04614-RI		1-ISI-SI-25	ISI	-	-	-	-	-	-	-
R1.20-7	II-SI-025SI-FW-584		Piping Bend to Valve	AUG	-	-	-	-	-	-	-
2	SI-2085			OWN	-	-	-	-	-	-	-
				PRE	-	-	-	-	-	-	-
R-A	H-04617-RI		1-ISI-SI-25	ISI	-	-	-	-	-	-	-
R1.20-7	II-SI-025SI-SW-A3		Pipe to Elbow	AUG	-	-	-	-	-	-	-
2	SI-2085			OWN	-	-	-	-	-	-	-
				PRE	-	-	-	-	-	-	-
R-A	H-04618-RI		1-ISI-SI-25	ISI	-	-	-	-	-	-	-
R1.20-7	II-SI-025SI-SW-A4		Elbow to Pipe	AUG	-	-	-	-	-	-	-
2	SI-2085			OWN	-	-	-	-	-	-	-
				PRE	-	-	-	-	-	-	-
R-A	H-04619-RI		1-ISI-SI-25	ISI	-	-	-	-	-	-	-
R1.20-7	II-SI-025SI-SW-A5		Pipe to Elbow	AUG	-	-	-	-	-	-	-
2	SI-2085			OWN	-	-	-	-	-	-	-
				PRE	-	-	-	-	-	-	-
R-A	H-04620-RI		1-ISI-SI-25	ISI	-	-	-	-	-	-	-
R1.20-7	II-SI-025SI-SW-A6		Flange to Pipe	AUG	-	-	-	-	-	-	-
2	SI-2085			OWN	-	-	-	-	-	-	-
				PRE	-	-	-	-	-	-	-
R-A	H-04635-RI		1-ISI-SI-25	ISI	-	-	-	-	-	-	-
R1.20-7	II-SI-025SI-SW-G3		Flange to Piping Bend	AUG	-	-	-	-	-	-	-
2	SI-2085			OWN	-	-	-	-	-	-	-
				PRE	-	-	-	-	-	-	-
R-A	H-04664-RI		1-ISI-SI-26	ISI	-	-	-	-	-	-	-
R1.20-7	II-SI-026SI-FW-589		Elbow to Pipe	AUG	-	-	-	-	-	-	-
2	SI-2080			OWN	-	-	-	-	-	-	-
				PRE	-	-	-	-	-	-	-

Harris Nuclear Plant 3rd Interval

Category, Item No., Class	Summary No./CompID/System	Scope Method Procedure	Dwg/ISO No. Desc.	Comp. Code Case	Period 1		Period 2			Period 3	
					RFO-14	RFO-15	RFO-16	RFO-17	RFO-18	RFO-19	RFO-20
R-A R1.20-7 2	H-04708-RI II-SI-027SI-FW-569 SI-2080		1-ISI-SI-27 Reducer to Coupling	ISI AUG OWN PRE	-	-	-	-	-	-	-
R-A R1.20-7 2	H-04709-RI II-SI-027SI-FW-570 SI-2080		1-ISI-SI-27 Reducer to Coupling	ISI AUG OWN PRE	-	-	-	-	-	-	-
R-A R1.20-7 2	H-04712-RI II-SI-027SI-FW-606 SI-2085		1-ISI-SI-27 Piping Bend to Valve	ISI AUG OWN PRE	-	-	-	-	-	-	-
R-A R1.20-7 2	H-04713-RI II-SI-027SI-FW-607 SI-2085		1-ISI-SI-27 Reducer to Piping Bend	ISI AUG OWN PRE	-	-	-	-	-	-	-
R-A R1.20-7 2	H-04714-RI II-SI-027SI-FW-639 SI-2080		1-ISI-SI-27 Piping Bend to Valve	ISI AUG OWN PRE	-	-	-	-	-	-	-
R-A R1.20-7 2	H-04715-RI II-SI-027SI-FW-640 SI-2080		1-ISI-SI-27 Valve to Piping Bend	ISI AUG OWN PRE	-	-	-	-	-	-	-
R-A R1.20-7 2	H-04716-RI II-SI-027SI-FW-641 SI-2080		1-ISI-SI-27 Pipe to Valve	ISI AUG OWN PRE	-	-	-	-	-	-	-
R-A R1.20-7 2	H-04734-RI II-SI-027SI-SW-F5 SI-2085		1-ISI-SI-27 Piping Bend to Piping Bend	ISI AUG OWN PRE	-	-	-	-	-	-	-
R-A R1.20-7 2	H-04735-RI II-SI-027SI-SW-F6 SI-2085		1-ISI-SI-27 Piping Bend to Piping Bend	ISI AUG OWN PRE	-	-	-	-	-	-	-

Harris Nuclear Plant 3rd Interval

Category, Item No., Class	Summary No./CompID/System	Scope Method Procedure	Dwg/ISO No. Desc.	Comp. Code Case	Period 1		Period 2			Period 3				
					RFO-14	RFO-15	RFO-16	RFO-17	RFO-18	RFO-19	RFO-20			
R-A R1.20-7 2	H-04768-RI II-SI-028SI-SW-A5 SI-2085		1-ISI-SI-28 Pipe to Tee	ISI AUG OWN PRE	-	-	-	-	-	-	-	-	-	-
R-A R1.20-7 2	H-04769-RI II-SI-028SI-SW-A6 SI-2085		1-ISI-SI-28 Tee to Pipe	ISI AUG OWN PRE	-	-	-	-	-	-	-	-	-	-
R-A R1.20-7 2	H-04770-RI II-SI-028SI-SW-A7 SI-2085		1-ISI-SI-28 Pipe to Reducer	ISI AUG OWN PRE	-	-	-	-	-	-	-	-	-	-
R-A R1.20-7 2	H-04771-RI II-SI-028SI-SW-A8 SI-2085		1-ISI-SI-28 Tee to Pipe	ISI AUG OWN PRE	-	-	-	-	-	-	-	-	-	-
R-A R1.20-7 2	H-04772-RI II-SI-028SI-SW-A9 SI-2085		1-ISI-SI-28 Pipe to Reducer	ISI AUG OWN PRE	-	-	-	-	-	-	-	-	-	-
R-A R1.20-7 2	H-04773-RI II-SI-028SI-SW-B3 SI-2085		1-ISI-SI-28 Piping Bend to Piping Bend	ISI AUG OWN PRE	-	-	-	-	-	-	-	-	-	-
R-A R1.20-7 2	H-04774-RI II-SI-028SI-SW-B6 SI-2085		1-ISI-SI-28 Piping Bend to Piping Bend	ISI AUG OWN PRE	-	-	-	-	-	-	-	-	-	-
R-A R1.20-7 2	H-04793-RI II-SI-029SI-FW-787 SI-2080		1-ISI-SI-29 Valve to Pipe	ISI AUG OWN PRE	-	-	-	-	-	-	-	-	-	-
R-A R1.20-7 2	H-04794-RI II-SI-029SI-FW-788 SI-2080		1-ISI-SI-29 Pipe to Valve	ISI AUG OWN PRE	-	-	-	-	-	-	-	-	-	-

Harris Nuclear Plant 3rd Interval

Category, Item No., Class	Summary No./CompID/System	Scope Method Procedure	Dwg/ISO No. Desc.	Comp. Code Case	Period 1		Period 2			Period 3									
					RFO-14	RFO-15	RFO-16	RFO-17	RFO-18	RFO-19	RFO-20								
R-A R1.20-7 2	H-04798-RI II-SI-029SI-FW-889 SI-2080		1-ISI-SI-29 Valve to Piping Bend	ISI AUG OWN PRE	-	-	-	-	-	-	-	-	-	-	-	-	-	-	-
R-A R1.20-7 2	H-04799-RI II-SI-029SI-FW-890 SI-2080		1-ISI-SI-29 Piping Bend to Valve	ISI AUG OWN PRE	-	-	-	-	-	-	-	-	-	-	-	-	-	-	-
R-A R1.20-7 2	H-04839-RI II-SI-030SI-FW-817 SI-2080		1-ISI-SI-30 Valve to Piping Bend	ISI AUG OWN PRE	-	-	-	-	-	-	-	-	-	-	-	-	-	-	-
R-A R1.20-7 2	H-04840-RI II-SI-030SI-FW-818 SI-2080		1-ISI-SI-30 Piping Bend to Valve	ISI AUG OWN PRE	-	-	-	-	-	-	-	-	-	-	-	-	-	-	-
R-A R1.20-7 2	H-04857-RI II-SI-031SI-FW-642 SI-2080		1-ISI-SI-31 Socket to Pipe	ISI AUG OWN PRE	-	-	-	-	-	-	-	-	-	-	-	-	-	-	-
R-A R1.20-7 2	H-04858-RI II-SI-031SI-FW-647 SI-2080		1-ISI-SI-31 Piping Bend to Coupling	ISI AUG OWN PRE	-	-	-	-	-	-	-	-	-	-	-	-	-	-	-
R-A R1.20-7 2	H-04859-RI II-SI-031SI-FW-718 SI-2080		1-ISI-SI-31 Piping Bend to Coupling	ISI AUG OWN PRE	-	-	-	-	-	-	-	-	-	-	-	-	-	-	-
R-A R1.20-7 2	H-04860-RI II-SI-031SI-FW-719 SI-2080		1-ISI-SI-31 Piping Bend to Coupling	ISI AUG OWN PRE	-	-	-	-	-	-	-	-	-	-	-	-	-	-	-
R-A R1.20-7 2	H-04861-RI II-SI-031SI-FW-720 SI-2080		1-ISI-SI-31 Piping Bend to Coupling	ISI AUG OWN PRE	-	-	-	-	-	-	-	-	-	-	-	-	-	-	-

Harris Nuclear Plant 3rd Interval

Category, Item No., Class	Summary No./ComplID/System	Scope Method Procedure	Dwg/ISO No. Desc.	Comp. Code Case	Period 1		Period 2			Period 3									
					RFO-14	RFO-15	RFO-16	RFO-17	RFO-18	RFO-19	RFO-20								
R-A R1.20-7 2	H-04895-RI II-SI-032SI-SW-F6 SI-2080		1-ISI-SI-32 Piping Bend to Coupling	ISI AUG OWN PRE	-	-	-	-	-	-	-	-	-	-	-	-	-	-	-
R-A R1.20-7 2	H-04896-RI II-SI-032SI-SW-F7 SI-2080		1-ISI-SI-32 Elbow to Piping Bend	ISI AUG OWN PRE	-	-	-	-	-	-	-	-	-	-	-	-	-	-	-
R-A R1.20-7 2	H-04897-RI II-SI-032SI-SW-G3 SI-2080		1-ISI-SI-32 Elbow to Pipe	ISI AUG OWN PRE	-	-	-	-	-	-	-	-	-	-	-	-	-	-	-
R-A R1.20-7 2	H-04898-RI II-SI-032SI-SW-G4 SI-2080		1-ISI-SI-32 Piping Bend to Elbow	ISI AUG OWN PRE	-	-	-	-	-	-	-	-	-	-	-	-	-	-	-
R-A R1.20-7 2	H-04899-RI II-SI-032SI-SW-G5 SI-2080		1-ISI-SI-32 Coupling to Piping Bend	ISI AUG OWN PRE	-	-	-	-	-	-	-	-	-	-	-	-	-	-	-
R-A R1.30 N	H-02663-RI II-FW-001FW-36-2-SW-6 FW-3050	AUG/UT/NDEP-0434	1-ISI-FW-1 S02 Pipe to Pipe	ISI AUG OWN PRE	-	-	-	-	s	-	-	-	-	-	-	-	-	-	-
R-A R1.30 N	H-02664-RI II-FW-001FW-36-2-SW-7 FW-3050		1-ISI-FW-1 S02 Sweepolet to Pipe	ISI AUG OWN PRE	-	-	-	-	-	-	-	-	-	-	-	-	-	-	-
R-A R1.30 N	H-02665-RI II-FW-001FW-FW-469 FW-3050	AUG/UT/NDEP-0434	1-ISI-FW-1 S03 Pipe to Valve	ISI AUG OWN PRE	-	-	-	-	s	-	-	-	-	-	-	-	-	-	-
R-A R1.30 N	H-02666-RI II-FW-001FW-FW-473 FW-3050		1-ISI-FW-1 S02 Pipe to Valve	ISI AUG OWN PRE	-	-	-	-	-	-	-	-	-	-	-	-	-	-	-

Harris Nuclear Plant 3rd Interval

Category, Item No., Class	Summary No./ComplID/System	Scope Method Procedure	Dwg/ISO No. Desc.	Comp. Code Case	Period 1		Period 2			Period 3									
					RFO-14	RFO-15	RFO-16	RFO-17	RFO-18	RFO-19	RFO-20								
R-A R1.30 N	H-02667-RI II-FW-001FW-FW-476 FW-3050	AUG/UT/NDEP-0434	1-ISI-FW-1 S03 Pipe to Valve	ISI AUG OWN PRE	-	-	-	-	s	-	-	-	-	-	-	-	-	-	-
R-A R1.30 N	H-02668-RI II-FW-001FW-FW-488 FW-3050	ISI/UT/NDEP-0437	1-ISI-FW-1 S02 Pipe to Pipe	ISI AUG OWN PRE	-	-	-	-	-	-	-	-	-	-	-	-	-	-	s
R-A R1.30 N	H-02669-RI II-FW-001FW-FW-489 FW-3050	ISI/UT/NDEP-0437	1-ISI-FW-1 S02 Pipe to Pipe	ISI AUG OWN PRE	-	-	-	-	-	-	-	-	-	-	-	-	-	-	s
R-A R1.30 N	H-02670-RI II-FW-001FW-FW-493 FW-3050	ISI/UT/NDEP-0437	1-ISI-FW-1 S03 Pipe to Pipe	ISI AUG OWN PRE	-	-	-	-	-	-	-	-	-	-	-	-	-	-	s
R-A R1.30 N	H-02671-RI II-FW-001FW-FW-494 FW-3050	ISI/UT/NDEP-0437	1-ISI-FW-1 S01 Pipe to Pipe	ISI AUG OWN PRE	-	-	-	-	-	-	-	-	-	-	-	-	-	-	s
R-A R1.30 N	H-02672-RI II-FW-001FW-FW-496 FW-3050	ISI/UT/NDEP-0437	1-ISI-FW-1 S03 Pipe to Pipe	ISI AUG OWN PRE	-	-	-	-	-	-	-	-	-	-	-	-	-	-	s
R-A R1.30 N	H-02673-RI II-FW-001FW-FW-497 FW-3050	ISI/UT/NDEP-0437	1-ISI-FW-1 S03 Pipe to Pipe	ISI AUG OWN PRE	-	-	-	-	-	-	-	-	-	-	-	-	-	-	s
R-A R1.30 N	H-02707-RI II-FW-001FW-SW-K8 FW-3050	AUG/UT/NDEP-0434	1-ISI-FW-1 S02 Piping Bend to Pipe	ISI AUG OWN PRE	-	-	-	-	s	-	-	-	-	-	-	-	-	-	-
R-A R1.30 2	H-02759-RI II-FW-003FW-36-3-SW-10 FW-3050		1-ISI-FW-3 Elbow to Pipe	ISI AUG OWN PRE	-	-	-	-	-	-	-	-	-	-	-	-	-	-	-

Harris Nuclear Plant 3rd Interval

Category, Item No., Class	Summary No./CompID/System	Scope Method Procedure	Dwg/ISO No. Desc.	Comp. Code Case	Period 1		Period 2			Period 3	
					RFO-14	RFO-15	RFO-16	RFO-17	RFO-18	RFO-19	RFO-20
R-A	H-02829-RI		1-ISI-MS-1 S01	ISI	-	-	-	-	-	-	-
R1.30	II-MS-001MS-64-1-MW-2		Pipe to Pipe	AUG	-	-	-	-	-	-	-
N	MS-3020			OWN	-	-	-	-	-	-	-
				PRE	-	-	-	-	-	-	-
R-A	H-02832-RI	ISI/UT/NDEP-0437	1-ISI-MS-1 S01	ISI	-	-	-	-	-	s	-
R1.30	II-MS-001MS-FW-256		Elbow to Pipe	AUG	-	-	-	-	-	-	-
N	MS-3020			OWN	-	-	-	-	-	-	-
				PRE	-	-	-	-	-	-	-
R-A	H-02835-RI		1-ISI-MS-1 S01	ISI	-	-	-	-	-	-	-
R1.30	II-MS-001MS-FW-257		Pipe to Pipe	AUG	-	-	-	-	-	-	-
N	MS-3020			OWN	-	-	-	-	-	-	-
				PRE	-	-	-	-	-	-	-
R-A	H-02836-RI		1-ISI-MS-1 S02	ISI	-	-	-	-	-	-	-
R1.30	II-MS-001MS-FW-258		Pipe to Pipe	AUG	-	-	-	-	-	-	-
N	MS-3020			OWN	-	-	-	-	-	-	-
				PRE	-	-	-	-	-	-	-
R-A	H-02838-RI		1-ISI-MS-1 S01	ISI	-	-	-	-	-	-	-
R1.30	II-MS-001MS-FW-259		Pipe to Pipe	AUG	-	-	-	-	-	-	-
N	MS-3020			OWN	-	-	-	-	-	-	-
				PRE	-	-	-	-	-	-	-
R-A	H-02840-RI	AUG/UT/NDEP-0437	1-ISI-MS-1 S02	ISI	-	-	-	-	-	-	-
R1.30	II-MS-001MS-FW-260		Elbow to Pipe	AUG	-	-	-	-	-	s	-
N	MS-3020			OWN	-	-	-	-	-	-	-
				PRE	-	-	-	-	-	-	-
R-A	H-02843-RI		1-ISI-MS-1 S02	ISI	-	-	-	-	-	-	-
R1.30	II-MS-001MS-FW-261		Pipe to Pipe	AUG	-	-	-	-	-	-	-
N	MS-3020			OWN	-	-	-	-	-	-	-
				PRE	-	-	-	-	-	-	-
R-A	H-02844-RI		1-ISI-MS-1 S03	ISI	-	-	-	-	-	-	-
R1.30	II-MS-001MS-FW-262		Pipe to Pipe	AUG	-	-	-	-	-	-	-
N	MS-3020			OWN	-	-	-	-	-	-	-
				PRE	-	-	-	-	-	-	-
R-A	H-02845-RI	ISI/UT/NDEP-0437	1-ISI-MS-1 S03	ISI	-	-	-	-	-	s	-
R1.30	II-MS-001MS-FW-263		Elbow to Pipe	AUG	-	-	-	-	-	-	-
N	MS-3020			OWN	-	-	-	-	-	-	-
				PRE	-	-	-	-	-	-	-

Harris Nuclear Plant 3rd Interval

Category, Item No., Class	Summary No./CompID/System	Scope Method Procedure	Dwg/ISO No. Desc.	Comp. Code Case	Period 1		Period 2			Period 3			
					RFO-14	RFO-15	RFO-16	RFO-17	RFO-18	RFO-19	RFO-20		
R-A R1.30 N	H-02848-RI II-MS-001MS-FW-282 MS-3020	ISI/UT/NDEP-0437	1-ISI-MS-1 S03 Valve 1MS-80 to Pipe	ISI AUG OWN PRE	-	-	-	-	-	s	-	-	-
R-A R1.30 N	H-02855-RI II-MS-001MS-FW-287 MS-3020	ISI/UT/NDEP-0437	1-ISI-MS-1 S02 Valve 1MS-82 to Pipe	ISI AUG OWN PRE	-	-	-	-	-	-	-	-	-
R-A R1.30 N	H-02859-RI II-MS-001MS-FW-303 MS-3020	ISI/UT/NDEP-0437	1-ISI-MS-1 S01 Valve 1MS-84 to Pipe	ISI AUG OWN PRE	-	-	-	-	-	s	-	-	-
R-A R1.30 2	H-02865-RI II-MS-001MS-SW-A20 MS-3020		1-ISI-MS-1 S03 Pipe to Sweepolet	ISI AUG OWN PRE	-	-	-	-	-	-	-	-	-
R-A R1.30 2	H-02872-RI II-MS-001MS-SW-A6 MS-3020	ISI/UT/NDEP-0437	1-ISI-MS-1 S03 Sweepolet to Pipe	ISI AUG OWN PRE	-	-	-	-	-	s	-	-	-
R-A R1.30 2	H-02878-RI II-MS-001MS-SW-B20 MS-3020		1-ISI-MS-1 S02 Pipe to Sweepolet	ISI AUG OWN PRE	-	-	-	-	-	-	-	-	-
R-A R1.30 2	H-02886-RI II-MS-001MS-SW-B6 MS-3020		1-ISI-MS-1 S02 Sweepolet to Pipe	ISI AUG OWN PRE	-	-	-	-	-	-	-	-	-
R-A R1.30 2	H-02892-RI II-MS-001MS-SW-C19 MS-3020		1-ISI-MS-1 S01 Pipe to Sweepolet	ISI AUG OWN PRE	-	-	-	-	-	-	-	-	-
R-A R1.30 2	H-02900-RI II-MS-001MS-SW-C6 MS-3020		1-ISI-MS-1 S01 Sweepolet to Pipe	ISI AUG OWN PRE	-	-	-	-	-	-	-	-	-

Harris Nuclear Plant 3rd Interval

Category, Item No., Class	Summary No./CompID/System	Scope Method Procedure	Dwg/ISO No. Desc.	Comp. Code Case	Period 1		Period 2			Period 3				
					RFO-14	RFO-15	RFO-16	RFO-17	RFO-18	RFO-19	RFO-20			
R-A R1.30 N	H-02901-RI II-MS-001MS-SW-D1 MS-3020	ISI/UT/NDEP-0437	1-ISI-MS-1 S03 Pipe to Elbow	ISI AUG OWN PRE	-	-	-	-	-	-	s	-	-	-
R-A R1.30 N	H-02904-RI II-MS-001MS-SW-E1 MS-3020		1-ISI-MS-1 S03 Pipe to Pipe	ISI AUG OWN PRE	-	-	-	-	-	-	-	-	-	-
R-A R1.30 N	H-02905-RI II-MS-001MS-SW-F1 MS-3020	ISI/UT/NDEP-0437	1-ISI-MS-1 S02 Pipe to Elbow	ISI AUG OWN PRE	-	-	-	-	-	-	s	-	-	-
R-A R1.30 N	H-02908-RI II-MS-001MS-SW-G1 MS-3020		1-ISI-MS-1 S02 Pipe to Pipe	ISI AUG OWN PRE	-	-	-	-	-	-	-	-	-	-
R-A R1.30 N	H-02909-RI II-MS-001MS-SW-G2 MS-3020		1-ISI-MS-1 S02 Pipe to Pipe	ISI AUG OWN PRE	-	-	-	-	-	-	-	-	-	-
R-A R1.30 N	H-02910-RI II-MS-001MS-SW-H1 MS-3020	ISI/UT/NDEP-0437	1-ISI-MS-1 S01 Pipe to Elbow	ISI AUG OWN PRE	-	-	-	-	-	-	s	-	-	-
R-A R1.30 N	H-02913-RI II-MS-001MS-SW-I1 MS-3020		1-ISI-MS-1 S01 Pipe to Pipe	ISI AUG OWN PRE	-	-	-	-	-	-	-	-	-	-
R-A R1.30 N	H-02914-RI II-MS-001MS-SW-J1 MS-3020		1-ISI-MS-1 S03 Pipe to Cap	ISI AUG OWN PRE	-	-	-	-	-	-	-	-	-	-
R-A R1.30 N	H-02915-RI II-MS-001MS-SW-J12 MS-3020		1-ISI-MS-1 S02 Pipe to Pipe	ISI AUG OWN PRE	-	-	-	-	-	-	-	-	-	-

Harris Nuclear Plant 3rd Interval

Category, Item No., Class	Summary No./CompID/System	Scope Method Procedure	Dwg/ISO No. Desc.	Comp. Code Case	Period 1		Period 2			Period 3	
					RFO-14	RFO-15	RFO-16	RFO-17	RFO-18	RFO-19	RFO-20
R-A	H-02919-RI		1-ISI-MS-1 S01	ISI	-	-	-	-	-	-	-
R1.30	II-MS-001MS-SW-J2		Pipe to Cap	AUG	-	-	-	-	-	-	-
N	MS-3020			OWN	-	-	-	-	-	-	-
				PRE	-	-	-	-	-	-	-
R-A	H-02921-RI		1-ISI-MS-1 S02	ISI	-	-	-	-	-	-	-
R1.30	II-MS-001MS-SW-K1		Pipe to Pipe	AUG	-	-	-	-	-	-	-
N	MS-3020			OWN	-	-	-	-	-	-	-
				PRE	-	-	-	-	-	-	-
R-A	H-02924-RI		1-ISI-MS-1 S01	ISI	-	-	-	-	-	-	-
R1.30	II-MS-001MS-SW-M1		Pipe to Pipe	AUG	-	-	-	-	-	-	-
N	MS-3020			OWN	-	-	-	-	-	-	-
				PRE	-	-	-	-	-	-	-
R-A	H-02948-RI		1-ISI-MS-9	ISI	-	-	-	-	-	-	-
R1.30	II-MS-009MS-44-1-SW-1		Elbow to Pipe	AUG	-	-	-	-	-	-	-
2	MS-3020			OWN	-	-	-	-	-	-	-
				PRE	-	-	-	-	-	-	-
R-A	H-02949-RI		1-ISI-MS-9	ISI	-	-	-	-	-	-	-
R1.30	II-MS-009MS-44-1-SW-2		Pipe to Elbow	AUG	-	-	-	-	-	-	-
2	MS-3020			OWN	-	-	-	-	-	-	-
				PRE	-	-	-	-	-	-	-
R-A	H-02950-RI		1-ISI-MS-9	ISI	-	-	-	-	-	-	-
R1.30	II-MS-009MS-44-1-SW-3		Elbow to Pipe	AUG	-	-	-	-	-	-	-
2	MS-3020			OWN	-	-	-	-	-	-	-
				PRE	-	-	-	-	-	-	-
R-A	H-02951-RI		1-ISI-MS-9	ISI	-	-	-	-	-	-	-
R1.30	II-MS-009MS-44-2-SW-1		Elbow to Pipe	AUG	-	-	-	-	-	-	-
2	MS-3020			OWN	-	-	-	-	-	-	-
				PRE	-	-	-	-	-	-	-
R-A	H-02952-RI		1-ISI-MS-9	ISI	-	-	-	-	-	-	-
R1.30	II-MS-009MS-44-2-SW-2		Pipe to Elbow	AUG	-	-	-	-	-	-	-
2	MS-3020			OWN	-	-	-	-	-	-	-
				PRE	-	-	-	-	-	-	-
R-A	H-02953-RI		1-ISI-MS-9	ISI	-	-	-	-	-	-	-
R1.30	II-MS-009MS-44-2-SW-3		Elbow to Pipe	AUG	-	-	-	-	-	-	-
2	MS-3020			OWN	-	-	-	-	-	-	-
				PRE	-	-	-	-	-	-	-

Harris Nuclear Plant 3rd Interval

Category, Item No., Class	Summary No./CompID/System	Scope Method Procedure	Dwg/ISO No. Desc.	Comp. Code Case	Period 1		Period 2			Period 3	
					RFO-14	RFO-15	RFO-16	RFO-17	RFO-18	RFO-19	RFO-20
R-A	H-02954-RI		1-ISI-MS-9	ISI	-	-	-	-	-	-	-
R1.30	II-MS-009MS-45-1-SW-1		Elbow to Pipe	AUG	-	-	-	-	-	-	-
2	MS-3020			OWN	-	-	-	-	-	-	-
				PRE	-	-	-	-	-	-	-
R-A	H-02955-RI		1-ISI-MS-9	ISI	-	-	-	-	-	-	-
R1.30	II-MS-009MS-45-1-SW-2		Pipe to Elbow	AUG	-	-	-	-	-	-	-
2	MS-3020			OWN	-	-	-	-	-	-	-
				PRE	-	-	-	-	-	-	-
R-A	H-02956-RI		1-ISI-MS-9	ISI	-	-	-	-	-	-	-
R1.30	II-MS-009MS-45-1-SW-3		Elbow to Pipe	AUG	-	-	-	-	-	-	-
2	MS-3020			OWN	-	-	-	-	-	-	-
				PRE	-	-	-	-	-	-	-
R-A	H-02957-RI		1-ISI-MS-9	ISI	-	-	-	-	-	-	-
R1.30	II-MS-009MS-FW-582		Pipe to Elbow	AUG	-	-	-	-	-	-	-
2	MS-3020			OWN	-	-	-	-	-	-	-
				PRE	-	-	-	-	-	-	-
R-A	H-02958-RI		1-ISI-MS-9	ISI	-	-	-	-	-	-	-
R1.30	II-MS-009MS-FW-583		Pipe to Valve	AUG	-	-	-	-	-	-	-
2	MS-3020			OWN	-	-	-	-	-	-	-
				PRE	-	-	-	-	-	-	-
R-A	H-02959-RI		1-ISI-MS-9	ISI	-	-	-	-	-	-	-
R1.30	II-MS-009MS-FW-585		Pipe to Elbow	AUG	-	-	-	-	-	-	-
2	MS-3020			OWN	-	-	-	-	-	-	-
				PRE	-	-	-	-	-	-	-
R-A	H-02960-RI		1-ISI-MS-9	ISI	-	-	-	-	-	-	-
R1.30	II-MS-009MS-FW-586		Pipe to Valve	AUG	-	-	-	-	-	-	-
2	MS-3020			OWN	-	-	-	-	-	-	-
				PRE	-	-	-	-	-	-	-
R-A	H-02961-RI		1-ISI-MS-9	ISI	-	-	-	-	-	-	-
R1.30	II-MS-009MS-FW-588		Pipe to Elbow	AUG	-	-	-	-	-	-	-
2	MS-3020			OWN	-	-	-	-	-	-	-
				PRE	-	-	-	-	-	-	-
R-A	H-02962-RI		1-ISI-MS-9	ISI	-	-	-	-	-	-	-
R1.30	II-MS-009MS-FW-589		Pipe to Valve 1MS-85	AUG	-	-	-	-	-	-	-
2	MS-3020			OWN	-	-	-	-	-	-	-
				PRE	-	-	-	-	-	-	-

Harris Nuclear Plant 3rd Interval

Category, Item No., Class	Summary No./ComplID/System	Scope Method Procedure	Dwg/ISO No. Desc.	Comp. Code Case	Period 1		Period 2			Period 3									
					RFO-14	RFO-15	RFO-16	RFO-17	RFO-18	RFO-19	RFO-20								
R-A R1.30 2	H-08042-RI II-MS-024MS-94-SW-5 MS-3020		1-ISI-MS-24 Pipe to Tee	ISI AUG OWN PRE	-	-	-	-	-	-	-	-	-	-	-	-	-	-	-
R-A R1.30 2	H-08043-RI II-MS-024MS-94-SW-6 MS-3020		1-ISI-MS-24 Tee to Pipe	ISI AUG OWN PRE	-	-	-	-	-	-	-	-	-	-	-	-	-	-	-
R-A R1.30 2	H-08044-RI II-MS-024MS-94-SW-7 MS-3020		1-ISI-MS-24 Pipe to Elbow	ISI AUG OWN PRE	-	-	-	-	-	-	-	-	-	-	-	-	-	-	-
R-A R1.30 2	H-08045-RI II-MS-024MS-94-SW-8 MS-3020		1-ISI-MS-24 Elbow to Pipe	ISI AUG OWN PRE	-	-	-	-	-	-	-	-	-	-	-	-	-	-	-
R-A R1.30 2	H-08046-RI II-MS-024MS-94-SW-9 MS-3020		1-ISI-MS-24 Tee to Pipe	ISI AUG OWN PRE	-	-	-	-	-	-	-	-	-	-	-	-	-	-	-
R-A R1.30 2	H-08047-RI II-MS-024MS-94-SW-10 MS-3020		1-ISI-MS-24 Pipe to Elbow	ISI AUG OWN PRE	-	-	-	-	-	-	-	-	-	-	-	-	-	-	-
R-A R1.30 2	H-08048-RI II-MS-024MS-94-SW-11 MS-3020		1-ISI-MS-24 Elbow to Pipe	ISI AUG OWN PRE	-	-	-	-	-	-	-	-	-	-	-	-	-	-	-
R-A R1.30 2	H-08049-RI II-MS-024MS-94-FW-664 MS-3020		1-ISI-MS-24 Pipe to Valve	ISI AUG OWN PRE	-	-	-	-	-	-	-	-	-	-	-	-	-	-	-
R-A R1.30 2	H-08050-RI II-MS-024MS-94-FW-666 MS-3020		1-ISI-MS-24 Pipe to Valve	ISI AUG OWN PRE	-	-	-	-	-	-	-	-	-	-	-	-	-	-	-

Harris Nuclear Plant 3rd Interval

Category, Item No., Class	Summary No./CompID/System	Scope Method Procedure	Dwg/ISO No. Desc.	Comp. Code Case	Period 1		Period 2			Period 3	
					RFO-14	RFO-15	RFO-16	RFO-17	RFO-18	RFO-19	RFO-20
R-A	H-08051-RI		1-ISI-MS-24	ISI	-	-	-	-	-	-	-
R1.30	II-MS-024MS-30-SW-18		Cap to Sockolet	AUG	-	-	-	-	-	-	-
2	MS-3020			OWN	-	-	-	-	-	-	-
				PRE	-	-	-	-	-	-	-
R-A	H-08052-RI		1-ISI-MS-24	ISI	-	-	-	-	-	-	-
R1.30	II-MS-024MS-47-FW-599		Sockolet to Pipe	AUG	-	-	-	-	-	-	-
2	MS-3020			OWN	-	-	-	-	-	-	-
				PRE	-	-	-	-	-	-	-
R-A	H-08053-RI		1-ISI-MS-24	ISI	-	-	-	-	-	-	-
R1.30	II-MS-024MS-47-SW-3		Pipe to Elbow	AUG	-	-	-	-	-	-	-
2	MS-3020			OWN	-	-	-	-	-	-	-
				PRE	-	-	-	-	-	-	-
R-A	H-08054-RI		1-ISI-MS-24	ISI	-	-	-	-	-	-	-
R1.30	II-MS-024MS-47-SW-4		Elbow to Pipe	AUG	-	-	-	-	-	-	-
2	MS-3020			OWN	-	-	-	-	-	-	-
				PRE	-	-	-	-	-	-	-
R-A	H-08055-RI		1-ISI-MS-24	ISI	-	-	-	-	-	-	-
R1.30	II-MS-024MS-47-SW-5		Pipe to Tee	AUG	-	-	-	-	-	-	-
2	MS-3020			OWN	-	-	-	-	-	-	-
				PRE	-	-	-	-	-	-	-
R-A	H-08056-RI		1-ISI-MS-24	ISI	-	-	-	-	-	-	-
R1.30	II-MS-024MS-47-SW-6		Tee to Pipe	AUG	-	-	-	-	-	-	-
2	MS-3020			OWN	-	-	-	-	-	-	-
				PRE	-	-	-	-	-	-	-
R-A	H-08057-RI		1-ISI-MS-24	ISI	-	-	-	-	-	-	-
R1.30	II-MS-024MS-47-SW-7		Pipe to Elbow	AUG	-	-	-	-	-	-	-
2	MS-3020			OWN	-	-	-	-	-	-	-
				PRE	-	-	-	-	-	-	-
R-A	H-08058-RI		1-ISI-MS-24	ISI	-	-	-	-	-	-	-
R1.30	II-MS-024MS-47-SW-8		Elbow to Pipe	AUG	-	-	-	-	-	-	-
2	MS-3020			OWN	-	-	-	-	-	-	-
				PRE	-	-	-	-	-	-	-
R-A	H-08059-RI		1-ISI-MS-24	ISI	-	-	-	-	-	-	-
R1.30	II-MS-024MS-47-SW-9		Tee to Pipe	AUG	-	-	-	-	-	-	-
2	MS-3020			OWN	-	-	-	-	-	-	-
				PRE	-	-	-	-	-	-	-

Harris Nuclear Plant 3rd Interval

Category, Item No., Class	Summary No./CompID/System	Scope Method Procedure	Dwg/ISO No. Desc.	Comp. Code Case	Period 1		Period 2			Period 3	
					RFO-14	RFO-15	RFO-16	RFO-17	RFO-18	RFO-19	RFO-20
R-A WOL 1	H-08069-RI NSEW-20/1RC-FW-456/WOL6 RC-2050	PSI/PT/NDEP-0201 PSI/UT/SI-UT-126	1-ISI-PZR-1 Relief Line Safe-End/Pipe Weld Overlay	ISI AUG OWN PRE	- - - c	- - - -	s - - -	- - - -	- - - -	- - - -	- - - -
RG1.14 BORE 1	H-03198 II-RCP-02RCP-A-FLYWHEEL RC-2025		1-ISI-RCP-2 Reactor Coolant Pump Flywheel	ISI AUG OWN PRE	- - - -	- - - -	- - - -	- - - -	- - - -	- - - -	- - - -
RG1.14 BORE 1	H-03199 II-RCP-02RCP-B-FLYWHEEL RC-2025		1-ISI-RCP-2 Reactor Coolant Pump Flywheel	ISI AUG OWN PRE	- - - -	- - - -	- - - -	- - - -	- - - -	- - - -	- - - -
RG1.14 BORE 1	H-03200 II-RCP-02RCP-C-FLYWHEEL RC-2025		1-ISI-RCP-2 Reactor Coolant Pump Flywheel	ISI AUG OWN PRE	- - - -	- - - -	- - - -	- - - -	- - - -	- - - -	- - - -
RG1.14 BORE 1	H-06505 II-RCP-02RCP-FLYWHEEL SPARE RC-1005		1-ISI-RCP-2 Reactor Coolant Pump Flywheel	ISI AUG OWN PRE	- - - -	- - - -	- - - -	- - - -	- - - -	- - - -	- - - -

Attachment 2

Pressure Test Schedule

3rd Interval

Category, Item No., Class	Summary No./ComplID/System	Scope / Method / Procedure	Dwg/ISO No. Comp. Desc. Code Case		Period 1		Period 2			Period 3	
					RFO-14-PT	RFO-15-PT	RFO-16-PT	RFO-17-PT	RFO-18-PT	RFO-19-PT	RFO-20-PT
C-H C7.10 2	600100 PKG-1 CCW-4080	ISI/VT/NDEP-0612	2165-S-0799 CCW Pressure Test	ISI AUG OWN PRE	- s - -	- - - -	b - - -	- - - -	b - - -	- - - -	
C-H C7.10 2	600200 PKG-2 BD-3010	ISI/VT/NDEP-0612	2165-S-0551 Blowdown Pressure Test	ISI AUG OWN PRE	- s - -	- - - -	b - - -	- - - -	b - - -	- - - -	
D-B D2.10 3	600400 PKG-4 CVCS-2060	ISI/VT/NDEP-0612	2165-S-1307 CVCS Pressure Test	ISI AUG OWN PRE	- s - -	- - - -	b - - -	- - - -	b - - -	- - - -	
D-B D2.10 3	600500 PKG-5 CCW-4080	ISI/VT/NDEP-0612	2165-S-1320 CCW Pressure Test	ISI AUG OWN PRE	- c - -	- - - -	b - - -	- - - -	b - - -	- - - -	
C-H C7.10 2	600700 PKG-7 MS-3020	ISI/VT/NDEP-0612	2165-S-0542 Main Steam Pressure Test	ISI AUG OWN PRE	- s - -	- - - -	b - - -	- - - -	b - - -	- - - -	
D-B D2.10 3	600900 PKG-9 AFW-4115	ISI/VT/NDEP-0612	2165-S-0545 Auxiliary Feedwater Pressure Test	ISI AUG OWN PRE	- s - -	- - - -	b - - -	- - - -	b - - -	- - - -	
D-B D2.10 3	601000 PKG-10 AFW-4115	ISI/VT/NDEP-0612	2165-S-0545 Auxiliary Feedwater Pressure Test	ISI AUG OWN PRE	- s - -	- - - -	b - - -	- - - -	b - - -	- - - -	
D-B D2.10 3	601100 PKG-11 CH-4085	ISI/VT/NDEP-0612	2165-S-0998 S02 Chiller Pressure test	ISI AUG OWN PRE	- s - -	- - - -	b - - -	- - - -	b - - -	- - - -	
D-B D2.10 3	601200 PKG-12 SP-7005	ISI/VT/NDEP-0612	2165-S-0605 Rad Monitor Pressure Test	ISI AUG OWN PRE	- s - -	- - - -	b - - -	- - - -	b - - -	- - - -	
D-B D2.10 3	601500 PKG-15 AFW 1X-4115	ISI/VT/NDEP-0612	2165-S-0544 AFW Pressure Test	ISI AUG OWN PRE	- s - -	- - - -	b - - -	- - - -	b - - -	- - - -	

3rd Interval

Category, Item No., Class	Summary No./CompID/System	Scope / Method / Procedure	Dwg/ISO No. Comp. Desc. Code Case		Period 1		Period 2		Period 3	
					RFO-14-PT	RFO-15-PT	RFO-16-PT	RFO-17-PT	RFO-18-PT	RFO-19-PT
C-H C7.10 2	601600 PKG-16 RC-1005	ISI/VT/NDEP-0612	2165-S-1344 Reactor Coolant Pressure Test	ISI AUG OWN PRE	- s - -	- - - -	b - - -	- - - -	b - - -	- - - -
D-A D1.10 3	601700 PKG-17 CVCS-2060	ISI/VT/NDEP-0612	2165-S-1305/1307/1329 CVCS Pressure Test	ISI AUG OWN PRE	- s - -	- - - -	b - - -	- - - -	b - - -	- - - -
D-B D2.10 3	602000 PKG-20 ESW (Both Trains)	ISI/VT/NDEP-0612	2165-S-0808 Emergency Service Water Pressure Test	ISI AUG OWN PRE	- s - -	- - - -	b - - -	- - - -	b - - -	- - - -
D-B D2.10 3	602100 PKG-21 Unit 1 SF-7110	ISI/VT/NDEP-0612	2165-S-0805 Spent Fuel Cooling Pressure Test	ISI AUG OWN PRE	- s - -	- - - -	b - - -	- - - -	b - - -	- - - -
D-B D2.10 3	602200 PKG-22 Unit 1 SF-7110	ISI/VT/NDEP-0612	2165-S-0805 Spent Fuel Cooling Pressure Test	ISI AUG OWN PRE	- s - -	- - - -	b - - -	- - - -	b - - -	- - - -
D-B D2.10 3	602250 PKG-22A Unit 1 SF-7110	ISI/VT/NDEP-0612	2165-S-0805 Spent Fuel Cooling Pressure Test	ISI AUG OWN PRE	- s - -	- - - -	b - - -	- - - -	b - - -	- - - -
C-H C7.10 2	602300 PKG-23 CT-2070	ISI/VT/NDEP-0612	2165-S-0550 Containment Spray Pressure Test	ISI AUG OWN PRE	- s - -	- - - -	b - - -	- - - -	b - - -	- - - -
D-B D2.10 3	602500 PKG-25 CCW-4080	ISI/VT/NDEP-0612	2165-S-1320 CCW Pressure Test	ISI AUG OWN PRE	- s - -	- - - -	b - - -	- - - -	b - - -	- - - -
C-H C7.10 2	602600 PKG-26 MS	ISI/VT/NDEP-0612	2165-S-0542 Main Steam Pressure Test	ISI AUG OWN PRE	- s - -	- - - -	b - - -	- - - -	b - - -	- - - -
C-H C7.10 2	602700 PKG-27 BD-3010	ISI/VT/NDEP-0612	2165-S-0551 Blowdown Pressure Test	ISI AUG OWN PRE	- s - -	- - - -	b - - -	- - - -	b - - -	- - - -

3rd Interval

Category, Item No., Class	Summary No./CompID/System	Scope / Method / Procedure	Dwg/ISO No. Comp. Desc. Code Case		Period 1		Period 2		Period 3	
					RFO-14-PT	RFO-15-PT	RFO-16-PT	RFO-17-PT	RFO-18-PT	RFO-19-PT
C-H C7.10 2	602800 PKG-28 AFW	ISI/VT/NDEP-0612	2165-S-0542 AFW Pressure Test	ISI AUG OWN PRE	- s - -	- - - -	b - - -	- - - -	b - - -	- - - -
C-H C7.10 2	602900 PKG-29 RHR-2085	ISI/VT/NDEP-0612	2165-S-1310 RHR Pressure Test	ISI AUG OWN PRE	- s - -	- - - -	b - - -	- - - -	b - - -	- - - -
C-H C7.10 2	603000 PKG-30 RHR-2085	ISI/VT/NDEP-0612	2165-S-1324 RHR Pressure Test	ISI AUG OWN PRE	- s - -	- - - -	b - - -	- - - -	b - - -	- - - -
C-H C7.10 2	603100 PKG-31 CVCS-2060	ISI/VT/NDEP-0612	2165-S-1329 CVCS Pressure Test	ISI AUG OWN PRE	- s - -	- - - -	b - - -	- - - -	b - - -	- - - -
C-H C7.10 2	603500 PKG-35 SW	ISI/VT/NDEP-0612	2165-S-0547 Service Water Pressure Test	ISI AUG OWN PRE	c - - -	- - - -	b - - -	- - - -	b - - -	- - - -
C-H C7.10 2	603600 PKG-36 SW	ISI/VT/NDEP-0612	2165-S-0547 Service Water Pressure Test	ISI AUG OWN PRE	c - - -	- - - -	b - - -	- - - -	b - - -	- - - -
D-B D2.10 3	603700 PKG-37 CCW	ISI/VT/NDEP-0612	2165-S-1321 CCW Pressure Test	ISI AUG OWN PRE	- s - -	- - - -	b - - -	- - - -	b - - -	- - - -
C-H C7.10 2	603800 PKG-38 SI	ISI/VT/NDEP-0612	2165-S-1310 Safety Injection Pressure Test	ISI AUG OWN PRE	- s - -	- - - -	b - - -	- - - -	b - - -	- - - -
C-H C7.10 2	603900 PKG-39 SI	ISI/VT/NDEP-0612	2165-S-1310 Safety Injection Pressure Test	ISI AUG OWN PRE	- s - -	- - - -	b - - -	- - - -	b - - -	- - - -
C-H C7.10 2	604000 PKG-40 CCW	ISI/VT/NDEP-0612	2165-S-1321 CCW Pressure Test	ISI AUG OWN PRE	c - - -	- - - -	b - - -	- - - -	b - - -	- - - -

3rd Interval

Category, Item No., Class	Summary No./CompID/System	Scope / Method / Procedure	Dwg/ISO No. Comp. Desc. Code Case		Period 1		Period 2		Period 3	
					RFO-14-PT	RFO-15-PT	RFO-16-PT	RFO-17-PT	RFO-18-PT	RFO-19-PT
C-H C7.10 2	604100 PKG-41 CT-2070	ISI/VT/NDEP-0612	2165-S-0550 Containment Spray Pressure Test	ISI AUG OWN PRE	c - - -	- - - -	b - - -	- - - -	b - - -	- - - -
C-H C7.10 2	604150 PKG-41A	ISI/VT/NDEP-0612	2165-S-0550 Containment Spray Pressure Test	ISI AUG OWN PRE	- - - -	s - - -	b - - -	- - - -	b - - -	- - - -
C-H C7.10 2	604200 PKG-42 CT-2070	ISI/VT/NDEP-0612	2165-S-0550 Containment Spray Pressure Test	ISI AUG OWN PRE	c - - -	- - - -	b - - -	- - - -	b - - -	- - - -
C-H C7.10 2	604250 PKG-42A	ISI/VT/NDEP-0612	2165-S-0550 Containment Spray Pressure Test	ISI AUG OWN PRE	- - - -	s - - -	b - - -	- - - -	b - - -	- - - -
C-H C7.10 2	604300 PKG-43 CVCS-2060	ISI/VT/NDEP-0612	2165-S-1305 CVCS Pressure Test	ISI AUG OWN PRE	- - - -	s - - -	b - - -	- - - -	b - - -	- - - -
D-B D2.10 3	604700 PKG-47 LO/EA-5105/5112	ISI/VT/NDEP-0612	2165-S-0633 S04 Lube Oil Pressure Test	ISI AUG OWN PRE	- - - -	s - - -	- - - -	b - - -	- - - -	b - - -
C-H C7.10 2	604800 PKG-48 CT-2070	ISI/VT/NDEP-0612	2165-S-0550 Containment Spray Pressure Test	ISI AUG OWN PRE	- - - -	s - - -	b - - -	- - - -	b - - -	- - - -
C-H C7.10 2	604900 PKG-49 FW-3050	ISI/VT/NDEP-0612	2165-S-0544 Feedwater Pressure Test	ISI AUG OWN PRE	- - - -	s - - -	b - - -	- - - -	b - - -	- - - -
C-H C7.10 2	604950 PKG-49A AFW-3065	ISI/VT/NDEP-0612	2165-S-0544 AFW Pressure Test	ISI AUG OWN PRE	- - - -	s - - -	b - - -	- - - -	b - - -	- - - -
D-B D2.10 3	605100 PKG-51 SW/CH-4085	ISI/VT/NDEP-0612	2165-S-0999 S02 Service Water Pressure Test	ISI AUG OWN PRE	- - - -	s - - -	b - - -	- - - -	b - - -	- - - -

3rd Interval

Category, Item No., Class	Summary No./CompID/System	Scope / Method / Procedure	Dwg/ISO No. Comp. Desc. Code Case		Period 1		Period 2		Period 3	
					RFO-14-PT	RFO-15-PT	RFO-16-PT	RFO-17-PT	RFO-18-PT	RFO-19-PT
C-H C7.10 2	605200 PKG-52 SI-2085	ISI/VT/NDEP-0612	2165-S-1310 Safety Injection Pressure Test	ISI AUG OWN PRE	- s - -	- - - -	b - - -	- - - -	b - - -	- - - -
C-H C7.10 2	605300 PKG-53 SI-2085	ISI/VT/NDEP-0612	2165-S-1310 Safety Injection Pressure Test	ISI AUG OWN PRE	- s - -	- - - -	b - - -	- - - -	b - - -	- - - -
C-H C7.10 2	605400 PKG-54 RC	ISI/VT/NDEP-0612	2165-S-1344 Reactor Coolant Pressure Test	ISI AUG OWN PRE	- s - -	- - - -	b - - -	- - - -	b - - -	- - - -
D-B D2.10 3	605600 PKG-56 CVCS-2060	ISI/VT/NDEP-0612	2165-S-1304 CVCS Pressure Test	ISI AUG OWN PRE	- s - -	- - - -	b - - -	- - - -	b - - -	- - - -
D-B D2.10 3	605700 PKG-57 FO-5100	ISI/VT/NDEP-0612	2165-S-0633 S03 Fuel Oil Pressure Test	ISI AUG OWN PRE	- s - -	- - - -	b - - -	- - - -	b - - -	- - - -
D-B D2.10 3	605800 PKG-58 FO-5100	ISI/VT/NDEP-0612	2165-S-0633 S03 Fuel Oil Pressure Test	ISI AUG OWN PRE	- s - -	- - - -	b - - -	- - - -	b - - -	- - - -
C-H C7.10 2	605900 PKG-59 CVCS-2060	ISI/VT/NDEP-0612	2165-S-1306 CVCS Pressure Test	ISI AUG OWN PRE	- s - -	- - - -	b - - -	- - - -	b - - -	- - - -
C-H C7.10 2	605950 PKG-59A CVCS-2060	ISI/VT/NDEP-0612	2165-S-1304/1305/1306 CVCS Pressure Test	ISI AUG OWN PRE	- s - -	- - - -	b - - -	- - - -	b - - -	- - - -
C-H C7.10 2	606200 PKG-62 RC-2050	ISI/VT/NDEP-0612	2165-S-1301 Reactor Coolant Pressure Test	ISI AUG OWN PRE	- s - -	- - - -	b - - -	- - - -	b - - -	- - - -
C-H C7.10 2	606900 PKG-69 CVCS-2060	ISI/VT/NDEP-0612	2165-S-1305 CVCS Pressure Test	ISI AUG OWN PRE	- s - -	- - - -	b - - -	- - - -	b - - -	- - - -

3rd Interval

Category, Item No., Class	Summary No./CompID/System	Scope / Method / Procedure	Dwg/ISO No. Comp. Desc. Code Case		Period 1		Period 2		Period 3	
					RFO-14-PT	RFO-15-PT	RFO-16-PT	RFO-17-PT	RFO-18-PT	RFO-19-PT
D-B D2.10 3	607100 PKG-71 AFW-3065	ISI/VT/NDEP-0612	2165-S-0544 AFW Pressure Test	ISI AUG OWN PRE	- s - -	- - - -	b - - -	- - - -	b - - -	- - - -
D-B D2.10 3	607300 PKG-73 CCW-4080	ISI/VT/NDEP-0612	2165-S-1319 CCW Pressure Test	ISI AUG OWN PRE	- s - -	- - - -	b - - -	- - - -	b - - -	- - - -
C-H C7.10 2	608000 PKG-80 SI	ISI/VT/NDEP-0612	2165-S-1308 Safety Injection Pressure Test	ISI AUG OWN PRE	c - - -	- - - -	b - - -	- - - -	b - - -	- - - -
C-H C7.10 2	608200 PKG-82 SI	ISI/VT/NDEP-0612	2165-S-1308 Safety Injection Pressure Test	ISI AUG OWN PRE	- s - -	- - - -	b - - -	- - - -	b - - -	- - - -
C-H C7.10 2	609300 PKG-93 SI	ISI/VT/NDEP-0612	2165-S-0552 Sampling System Pressure Test	ISI AUG OWN PRE	c - - -	- - - -	b - - -	- - - -	b - - -	- - - -
C-H C7.10 2	609600 PKG-96 CS	ISI/VT/NDEP-0612	2165-S-1303 S01/S02 CVCS Pressure Test	ISI AUG OWN PRE	- s - -	- - - -	b - - -	- - - -	b - - -	- - - -
C-H C7.10 2	610000 PKG-100 RH	ISI/VT/NDEP-0612	RHR Pressure Test	ISI AUG OWN PRE	c - - -	- - - -	b - - -	- - - -	b - - -	- - - -
C-H C7.10 2	610100 PKG-101 RH	ISI/VT/NDEP-0612	2165-S-1324 RHR Pressure Test	ISI AUG OWN PRE	c - - -	- - - -	b - - -	- - - -	b - - -	- - - -
C-H C7.10 2	610200 PKG-102	ISI/VT/NDEP-0612	2165-S-1309 Safety Injection Pressure Test	ISI AUG OWN PRE	- s - -	- - - -	b - - -	- - - -	b - - -	- - - -
N/A N/A 2	610250 PKG-102A SI	ISI/VT/NDEP-0612	2165-S-1309 Safety Injection (Nitrogen) Pressure Test	ISI AUG OWN PRE	- s - -	- - - -	b - - -	- - - -	b - - -	- - - -

3rd Interval

Category, Item No., Class	Summary No./CompID/System	Scope / Method / Procedure	Dwg/ISO No. Comp. Desc. Code Case		Period 1		Period 2		Period 3	
					RFO-14-PT	RFO-15-PT	RFO-16-PT	RFO-17-PT	RFO-18-PT	RFO-19-PT
C-H C7.10 2	610400 PKG-104 SI	ISI/VT/NDEP-0612	2165-S-1308/1310 Safety Injection Pressure Test	ISI AUG OWN PRE	- s - -	- - - -	b - - -	- - - -	b - - -	- - - -
D-B D2.10 3	611000 PKG-110 PM-2110	ISI/VT/NDEP-0612	2165-S-0799/1305 Primary Makeup Pressure Test	ISI AUG OWN PRE	- s - -	- - - -	b - - -	- - - -	b - - -	- - - -
D-B D2.10 3	611100 PKG-111 PM-2110	ISI/VT/NDEP-0612	2165-S-0799/1305 Primary Makeup Pressure Test	ISI AUG OWN PRE	- s - -	- - - -	b - - -	- - - -	b - - -	- - - -
D-B D2.10 3	611200 PKG-112 IA-6135	ISI/VT/NDEP-0612	2165-S-1017 Instrument Air Pressure Test	ISI AUG OWN PRE	- s - -	- - - -	b - - -	- - - -	b - - -	- - - -
D-B D2.10 3	611300 PKG-113 IA-6135	ISI/VT/NDEP-0612	2165-S-1017 Instrument Air Pressure Test	ISI AUG OWN PRE	- s - -	- - - -	b - - -	- - - -	b - - -	- - - -
D-B D2.10 3	611400 PKG-114 IA-6135	ISI/VT/NDEP-0612	2165-S-1017 Instrument Air Pressure Test	ISI AUG OWN PRE	- s - -	- - - -	b - - -	- - - -	b - - -	- - - -
C-H C7.10 2	611700 PKG-117 SP	ISI/VT/NDEP-0612	2165-S-0605 Sampling System Pressure Test	ISI AUG OWN PRE	c - - -	- - - -	b - - -	- - - -	b - - -	- - - -
C-H C7.10 2	611800 PKG-118 SP	ISI/VT/NDEP-0612	2165-S-0605 Sampling System Pressure Test	ISI AUG OWN PRE	c - - -	- - - -	b - - -	- - - -	b - - -	- - - -
C-H C7.10 2	611900 PKG-119 SP	ISI/VT/NDEP-0612	2165-S-0605 Sampling System Pressure Test	ISI AUG OWN PRE	c - - -	- - - -	b - - -	- - - -	b - - -	- - - -
N/A N/A 2	612000 PKG-120 SP	ISI/VT/NDEP-0612	2165-S-0605 Sampling System Pressure Test	ISI AUG OWN PRE	c - - -	- - - -	b - - -	- - - -	b - - -	- - - -

3rd Interval

Category, Item No., Class	Summary No./CompID/System	Scope / Method / Procedure	Dwg/ISO No. Comp. Desc. Code Case		Period 1		Period 2		Period 3	
					RFO-14-PT	RFO-15-PT	RFO-16-PT	RFO-17-PT	RFO-18-PT	RFO-19-PT
C-H C7.10 2	612400 PKG-124 CVCS-2060	ISI/VT/NDEP-0612	2165-S-1303, 1303 S01/S02, 1305, 1308, 1329 CVCS Pressure Test	ISI AUG OWN PRE	- s - -	- - - -	b - - -	- - - -	b - - -	- - - -
C-H C7.10 2	612450 PKG-124A CVCS-2060	ISI/VT/NDEP-0612	2165-S-1305, 1329 CVCS Pressure Test	ISI AUG OWN PRE	- s - -	- - - -	b - - -	- - - -	b - - -	- - - -
D-B D2.10 3	612500 PKG-125 CVCS-2060	ISI/VT/NDEP-0612	2165-S-1304 CVCS Pressure Test	ISI AUG OWN PRE	- s - -	- - - -	b - - -	- - - -	b - - -	- - - -
C-H C7.10 2	612600 PKG-126 CVCS	ISI/VT/NDEP-0612	2165-S-1304/1329 CVCS Pressure Test	ISI AUG OWN PRE	- s - -	- - - -	- b - -	- - - -	- b - -	- - - -
C-H C7.10 2	612700 PKG-127	ISI/VT/NDEP-0612	2165-S-1305 CVCS Pressure Test	ISI AUG OWN PRE	- s - -	- - - -	b - - -	- - - -	b - - -	- - - -
C-H C7.10 2	612900 PKG-129 SP	ISI/VT/NDEP-0612	2165-S-0552 Sampling System Pressure Test	ISI AUG OWN PRE	c - - -	- - - -	b - - -	- - - -	b - - -	- - - -
C-H C7.10 2	613000 PKG-130 SP	ISI/VT/NDEP-0612	2165-S-0552 Sampling System Pressure Test	ISI AUG OWN PRE	c - - -	- - - -	b - - -	- - - -	b - - -	- - - -
C-H C7.10 2	613100 PKG-131 SP	ISI/VT/NDEP-0612	2165-S-0552 Sampling System Pressure Test	ISI AUG OWN PRE	c - - -	- - - -	b - - -	- - - -	b - - -	- - - -
D-B D2.10 3	613200 PKG-132 CVCS-2060	ISI/VT/NDEP-0612	2165-S-1304 CVCS Pressure Test	ISI AUG OWN PRE	- s - -	- - - -	b - - -	- - - -	b - - -	- - - -
C-H C7.10 2	613300 PKG-133 Hydrogen Analyzer System	ISI/VT/NDEP-0612	2165-S-0605 Hydrogen Analyzer Pressure Test	ISI AUG OWN PRE	- s - -	- - - -	b - - -	- - - -	b - - -	- - - -

3rd Interval

Category, Item No., Class	Summary No./CompID/System	Scope / Method / Procedure	Dwg/ISO No. Comp. Desc. Code Case		Period 1		Period 2			Period 3	
					RFO-14-PT	RFO-15-PT	RFO-16-PT	RFO-17-PT	RFO-18-PT	RFO-19-PT	RFO-20-PT
D-B D2.10 3	615900 PKG-159 BTR-2065	ISI/VT/NDEP-0612	2165-S-1306 CVCS Pressure Test	ISI AUG OWN PRE	- s - -	- - - -	- b - -	- - - -	- b - -	- - - -	
D-B D2.10 3	616000 PKG-160 BTR-2065	ISI/VT/NDEP-0612	2165-S-1306 CVCS Pressure Test	ISI AUG OWN PRE	- s - -	- - - -	- b - -	- - - -	- b - -	- - - -	
D-B D2.10 3	616600 PKG-166 Unit 2 SF-7110	ISI/VT/NDEP-0612	2165-S-0807 Fuel Pools Cooling Pressure Test	ISI AUG OWN PRE	- s - -	- - - -	b - - -	- - - -	b - - -	- - - -	
D-B D2.10 3	616700 PKG-167 7110	ISI/VT/NDEP-0612	2165-S-0807 Fuel Pools Cooling Pressure Test	ISI AUG OWN PRE	- s - -	- - - -	b - - -	- - - -	b - - -	- - - -	
D-B D2.10 3	616800 PKG-168 ESW-4115	ISI/VT/NDEP-0612	2165-S-0547/0808 ESW Pressure Test	ISI AUG OWN PRE	- s - -	- - - -	b - - -	- - - -	b - - -	- - - -	
D-B D2.10 3	616900 PKG-169 ESW-4115	ISI/VT/NDEP-0612	2165-S-0547/0808 ESW Pressure Test	ISI AUG OWN PRE	- s - -	- - - -	b - - -	- - - -	b - - -	- - - -	
D-B D2.10 3	620000 PKG-EST-213A FO-5100	ISI/VT/NDEP-0612	2165-S-0633 S01 Fuel Oil Hydrostatic Test	ISI AUG OWN PRE	- - - -	- - - -	- - - -	- - - -	s - - -	- - - -	
D-B D2.10 3	620100 PKG-EST-213B FO-5100	ISI/VT/NDEP-0612	2165-S-0633 S01 Fuel Oil Hydrostatic Test	ISI AUG OWN PRE	- - - -	- - - -	- - - -	- - - -	s - - -	- - - -	
B-P B15.10 1	620200 PKG-EST-227 RC-1005	ISI/VT/NDEP-0612	2165-S-1300/1301 RCS Leak Test	ISI AUG OWN PRE	c b - -	- - - -	b b - -	- - - -	b b - -	- - - -	

Attachment 3

IWE/IWL Schedule

2nd Interval

Category, Item No., Class	Summary No./CompID/System	Scope / Method / Procedure	Dwg/ISO No. Comp. Desc. Code Case	Period 1		Period 2			Period 3	
				RFO-15-2	RFO-16	RFO-17	RFO-18	RFO-19	RFO-20	RFO-21
E-A	100000	ISI/VT/NDEP-0620		ISI	- s - -	- b - -	- b - -	- - - -	- - - -	- - - -
E1.11	LB-0/360		Containment Surface	AUG	- - - -	- - - -	- - - -	- - - -	- - - -	- - - -
MC	8010 - Containment System			OWN	- - - -	- - - -	- - - -	- - - -	- - - -	- - - -
				PRE	- - - -	- - - -	- - - -	- - - -	- - - -	- - - -
E-A	100100	ISI/VT/NDEP-0620	ISI/IWE-002	ISI	- s - -	- b - -	- b - -	- - - -	- - - -	- - - -
E1.11	LC-0/90		Liner	AUG	- - - -	- - - -	- - - -	- - - -	- - - -	- - - -
MC	8010 - Containment System			OWN	- - - -	- - - -	- - - -	- - - -	- - - -	- - - -
				PRE	- - - -	- - - -	- - - -	- - - -	- - - -	- - - -
E-A	100200	ISI/VT/NDEP-0620	ISI/IWE-003	ISI	- s - -	- b - -	- b - -	- - - -	- - - -	- - - -
E1.11	LC-90/180		Liner	AUG	- - - -	- - - -	- - - -	- - - -	- - - -	- - - -
MC	8010 - Containment System			OWN	- - - -	- - - -	- - - -	- - - -	- - - -	- - - -
				PRE	- - - -	- - - -	- - - -	- - - -	- - - -	- - - -
E-A	100300	ISI/VT/NDEP-0620	ISI/IWE-004	ISI	- s - -	- b - -	- b - -	- - - -	- - - -	- - - -
E1.11	LC-180/270		Liner	AUG	- - - -	- - - -	- - - -	- - - -	- - - -	- - - -
MC	8010 - Containment System			OWN	- - - -	- - - -	- - - -	- - - -	- - - -	- - - -
				PRE	- - - -	- - - -	- - - -	- - - -	- - - -	- - - -
E-A	100400	ISI/VT/NDEP-0620	ISI/IWE-005	ISI	- s - -	- b - -	- b - -	- - - -	- - - -	- - - -
E1.11	LC-270/360		Liner	AUG	- - - -	- - - -	- - - -	- - - -	- - - -	- - - -
MC	8010 - Containment System			OWN	- - - -	- - - -	- - - -	- - - -	- - - -	- - - -
				PRE	- - - -	- - - -	- - - -	- - - -	- - - -	- - - -
E-A	100500	ISI/VT/NDEP-0620	ISI/IWE-006	ISI	- s - -	- b - -	- b - -	- - - -	- - - -	- - - -
E1.11	LD-0/180		Containment Surface	AUG	- - - -	- - - -	- - - -	- - - -	- - - -	- - - -
MC	8010 - Containment System			OWN	- - - -	- - - -	- - - -	- - - -	- - - -	- - - -
				PRE	- - - -	- - - -	- - - -	- - - -	- - - -	- - - -
E-A	100600	ISI/VT/NDEP-0620	ISI/IWE-007	ISI	- s - -	- b - -	- b - -	- - - -	- - - -	- - - -
E1.11	LD-180/360		Containment Surface	AUG	- - - -	- - - -	- - - -	- - - -	- - - -	- - - -
MC	8010 - Containment System			OWN	- - - -	- - - -	- - - -	- - - -	- - - -	- - - -
				PRE	- - - -	- - - -	- - - -	- - - -	- - - -	- - - -
E-A	112000	ISI/VT/NDEP-0620	ISI/IWE-010	ISI	- s - -	- b - -	- b - -	- - - -	- - - -	- - - -
E1.11	BV-1ACT		"A" CT Chamber	AUG	- - - -	- - - -	- - - -	- - - -	- - - -	- - - -
MC	8010 - Containment System			OWN	- - - -	- - - -	- - - -	- - - -	- - - -	- - - -
				PRE	- - - -	- - - -	- - - -	- - - -	- - - -	- - - -
E-A	112200	ISI/VT/NDEP-0620	ISI/IWE-010	ISI	- s - -	- b - -	- b - -	- - - -	- - - -	- - - -
E1.11	BV-1ARHR		"A" RHR Chamber	AUG	- - - -	- - - -	- - - -	- - - -	- - - -	- - - -
MC	8010 - Containment System			OWN	- - - -	- - - -	- - - -	- - - -	- - - -	- - - -
				PRE	- - - -	- - - -	- - - -	- - - -	- - - -	- - - -
E-A	112300	ISI/VT/NDEP-0620	ISI/IWE-010	ISI	- s - -	- b - -	- b - -	- - - -	- - - -	- - - -
E1.11	BV-1BRHR		"B" RHR Chamber	AUG	- - - -	- - - -	- - - -	- - - -	- - - -	- - - -
MC	8010 - Containment System			OWN	- - - -	- - - -	- - - -	- - - -	- - - -	- - - -
				PRE	- - - -	- - - -	- - - -	- - - -	- - - -	- - - -

2nd Interval

Category, Item No., Class	Summary No./CompID/System	Scope / Method / Procedure	Dwg/ISO No. Comp. Desc: Code Case		Period 1		Period 2			Period 3		
					RFO-15-2	RFO-16	RFO-17	RFO-18	RFO-19	RFO-20	RFO-21	
E-A	112400	ISI/VT/NDEP-0620	ISI/IWE-005	ISI	-	s	-	-	-	b	-	-
E1.11	BV-M34		Bolting	AUG	-	-	-	-	-	-	-	-
MC	8010 - Containment System			OWN	-	-	-	-	-	-	-	-
				PRE	-	-	-	-	-	-	-	-
E-A	112500	ISI/VT/NDEP-0620	ISI/IWE-005	ISI	-	s	-	-	-	b	-	-
E1.11	BV-M57		Bolting	AUG	-	-	-	-	-	-	-	-
MC	8010 - Containment System			OWN	-	-	-	-	-	-	-	-
				PRE	-	-	-	-	-	-	-	-
E-A	112600	ISI/VT/NDEP-0620	ISI/IWE-003	ISI	-	s	-	-	-	b	-	-
E1.11	BV-M58		Bolting	AUG	-	-	-	-	-	-	-	-
MC	8010 - Containment System			OWN	-	-	-	-	-	-	-	-
				PRE	-	-	-	-	-	-	-	-
E-A	112700	ISI/VT/NDEP-0620	ISI/IWE-005	ISI	-	s	-	-	-	b	-	-
E1.11	BV-M62		Bolting	AUG	-	-	-	-	-	-	-	-
MC	8010 - Containment System			OWN	-	-	-	-	-	-	-	-
				PRE	-	-	-	-	-	-	-	-
E-A	112800	ISI/VT/NDEP-0620	ISI/IWE-005	ISI	-	s	-	-	-	b	-	-
E1.11	BV-M66		Bolting	AUG	-	-	-	-	-	-	-	-
MC	8010 - Containment System			OWN	-	-	-	-	-	-	-	-
				PRE	-	-	-	-	-	-	-	-
E-A	112900	ISI/VT/NDEP-0620	ISI/IWE-005	ISI	-	s	-	-	-	b	-	-
E1.11	BV-M96		Bolting	AUG	-	-	-	-	-	-	-	-
MC	8010 - Containment System			OWN	-	-	-	-	-	-	-	-
				PRE	-	-	-	-	-	-	-	-
E-A	113000	ISI/VT/NDEP-0620	ISI/IWE-005	ISI	-	s	-	-	-	b	-	-
E1.11	BV-M102		Bolting	AUG	-	-	-	-	-	-	-	-
MC	8010 - Containment System			OWN	-	-	-	-	-	-	-	-
				PRE	-	-	-	-	-	-	-	-
E-A	113100	ISI/VT/NDEP-0620	1364-14479	ISI	-	s	-	-	-	b	-	-
E1.11	BV-M150		Equipment Hatch Bolted Connection	AUG	-	-	-	-	-	-	-	-
MC	8010 - Containment System			OWN	-	-	-	-	-	-	-	-
				PRE	-	-	-	-	-	-	-	-
E-A	114100	ISI/VT/NDEP-0620	ISI/IWE-010	ISI	-	s	-	-	-	b	-	-
E1.11	BV-1BCT		"B" CT Chamber	AUG	-	-	-	-	-	-	-	-
MC	8010 - Containment System			OWN	-	-	-	-	-	-	-	-
				PRE	-	-	-	-	-	-	-	-
E-A	110100	ISI/VT/NDEP-0620	ISI/IWE-003	ISI	-	s	-	-	-	b	-	-
E1.30	M-90/180		Moisture Barrier	AUG	-	-	-	-	-	-	-	-
MC	8010 - Containment System			OWN	-	-	-	-	-	-	-	-
				PRE	-	-	-	-	-	-	-	-

2nd Interval

Category, Item No., Class	Summary No./CompID/System	Scope / Method / Procedure	Dwg/ISO No. Comp. Desc. Code Case		Period 1		Period 2			Period 3	
					RFO-15-2	RFO-16	RFO-17	RFO-18	RFO-19	RFO-20	RFO-21
E-A E1.30 MC	110200 M-180/270 8010 - Containment System	ISI/VT/NDEP-0620	ISI/IWE-004 Moisture Barrier	ISI AUG OWN PRE	- s - -	- - - -	- b - -	- - - -	- b - -	- - - -	
E-A E1.30 MC	110300 M-270/360 8010 - Containment System	ISI/VT/NDEP-0620	ISI/IWE-005 Moisture Barrier	ISI AUG OWN PRE	- s - -	- - - -	- b - -	- - - -	- b - -	- - - -	
E-A E1.30 MC	111000 M-0/90 8010 - Containment System	ISI/VT/NDEP-0620	ISI/IWE-002 Moisture Barrier	ISI AUG OWN PRE	- s - -	- - - -	- b - -	- - - -	- b - -	- - - -	
E-A E1.30 MC	112100 BV-1BCT 8010 - Containment System	ISI/VT/NDEP-0620	ISI/IWE-010 "B" CT Chamber	ISI AUG OWN PRE	- s - -	- - - -	- b - -	- - - -	- b - -	- - - -	
E-C E4.11 MC	102000 Augmented Exams 8010 - Containment System		Containment Surface Areas	ISI AUG OWN PRE	- - - -	- - - -	- - - -	- - - -	- - - -	- - - -	
L-A L1.11 CC	200000 CC-0/90 8010 - Containment System	ISI/VT/NDEP-0620	Concrete Surface	ISI AUG OWN PRE	- s - -	- - - -	- - - -	- - - -	- b - -	- - - -	
L-A L1.11 CC	200100 CC-90/180 8010 - Containment System	ISI/VT/NDEP-0620	Concrete Surface	ISI AUG OWN PRE	- s - -	- - - -	- - - -	- - - -	- b - -	- - - -	
L-A L1.11 CC	200200 CC-180/270 8010 - Containment System	ISI/VT/NDEP-0620	Concrete Surface	ISI AUG OWN PRE	- s - -	- - - -	- - - -	- - - -	- b - -	- - - -	
L-A L1.11 CC	200300 CC-270/360 8010 - Containment System	ISI/VT/NDEP-0620	Concrete Surface	ISI AUG OWN PRE	- s - -	- - - -	- - - -	- - - -	- b - -	- - - -	
L-A L1.11 CC	200400 CD-0/180 8010 - Containment System	ISI/VT/NDEP-0620	Concrete Surface	ISI AUG OWN PRE	- s - -	- - - -	- - - -	- - - -	- b - -	- - - -	

2nd Interval

Category, Item No., Class	Summary No./CompID/System	Scope / Method / Procedure	Dwg/ISO No. Comp. Desc. Code Case	Period 1		Period 2			Period 3				
				RFO-15-2	RFO-16	RFO-17	RFO-18	RFO-19	RFO-20	RFO-21			
L-A	200500	ISI/VT/NDEP-0620		ISI	-	s	-	-	-	b	-	-	-
L1.11	CD-180/360		Concrete Surface	AUG	-	-	-	-	-	-	-	-	-
CC	8010 - Containment System			OWN	-	-	-	-	-	-	-	-	-
				PRE	-	-	-	-	-	-	-	-	-
L-A	201000			ISI	-	-	-	-	-	-	-	-	-
L1.12	CC-0/360		Concrete Surface	AUG	-	-	-	-	-	-	-	-	-
CC	8010 - Containment System			OWN	-	-	-	-	-	-	-	-	-
				PRE	-	-	-	-	-	-	-	-	-

SHEARON HARRIS NUCLEAR POWER PLANT, UNIT NO. 1
DOCKET NO. 50-400/LICENSE NO. NPF-63
THIRD INTERVAL INSERVICE INSPECTION PROGRAM SUBMITTAL

RELIEF REQUESTS

Consisting of:

IR3-02 (6 pages)
IR3-03 (4 pages)
IR3-04 (11 pages)

SHEARON HARRIS NUCLEAR POWER PLANT, UNIT NO. 1
DOCKET NO. 50-400/LICENSE NO. NPF-63
10CFR50.55a RELIEF REQUEST: I3R-02
Revision 0
(Page 1 of 6)

**Request for Relief I3R-02 for Alternate Risk-Informed Selection and Examination Criteria
for Examination Category B-F, B-J, C-F-1, and C-F-2 Pressure Retaining Piping Welds
In Accordance with 10CFR50.55a(a)(3)(i)**

1.0 ASME CODE COMPONENTS AFFECTED:

Code Class: 1 and 2
Examination Category: B-F, B-J, C-F-1, and C-F-2
Item Number: B5.10, B5.40, B5.70, B9.11, B9.21, B9.22, B9.31, B9.32,
B9.40, C5.11, C5.21, C5.30, C5.51, C5.61, and C5.81
Description: Alternate Risk-Informed Selection and Examination
Criteria for Examination Category B-F, B-J, C-F-1, and
C-F-2 Pressure Retaining Piping Welds
Component Number: Pressure Retaining Piping

2.0 APPLICABLE CODE EDITION AND ADDENDA:

The Inservice Inspection program is based on the American Society of Mechanical Engineers (ASME) Boiler and Pressure Vessel (B&PV) Code, Section XI, 2001 Edition through the 2003 Addenda.

3.0 APPLICABLE CODE REQUIREMENT:

Table IWB-2500-1, Examination Category B-F, requires volumetric and surface examinations on all welds for Item Numbers B5.10, and B5.40.

Table IWB-2500-1, Examination Category B-J, requires volumetric and surface examinations on a sample of welds for Item Numbers B9.11 and B9.31, volumetric examinations on a sample of welds for Item Number B9.22, and surface examinations for a sample of welds for Item Numbers B9.21, B9.32, and B9.40. The weld population selected for inspection includes the following:

1. All terminal ends in each pipe or branch run connected to vessels.
2. All terminal ends and joints in each pipe or branch run connected to other components where the stress levels exceed either of the following limits under loads associated with specific seismic events and operational conditions:

SHEARON HARRIS NUCLEAR POWER PLANT, UNIT NO. 1
DOCKET NO. 50-400/LICENSE NO. NPF-63
10CFR50.55a RELIEF REQUEST: I3R-02
Revision 0
(Page 2 of 6)

- a. primary plus secondary stress intensity range of $2.4S_m$ for ferritic steel and austenitic steel.
 - b. cumulative usage factor U of 0.4.
3. All dissimilar metal welds not covered under Examination Category B-F.
 4. Additional piping welds so that the total number of circumferential butt welds, branch connections, or socket welds selected for examination equals 25% of the circumferential butt welds, branch connection, or socket welds in the reactor coolant piping system. This total does not include welds exempted by IWB-1220 or welds in Item Number B9.22.
 5. A 10% sample of PWR high pressure safety injection system circumferential welds in piping \geq NPS 1½ and $<$ NPS 4 shall be selected for examination. This sample shall be selected from locations determined by the Owner as most likely to be subject to thermal fatigue.

Table IWC-2500-1, Examination Categories C-F-1 and C-F-2 require volumetric and surface examinations on a sample of welds for Item Numbers C5.11, C5.21, C5.51, and C5.61 and surface examinations on a sample of welds for Item Numbers C5.30, C5.51, and C5.81. The weld population selected for inspection includes the following:

1. Welds selected for examination shall include 7.5%, but not less than 28 welds, of all dissimilar metal, austenitic stainless steel and high alloy welds (Examination Category C-F-1) or of all carbon and low alloy steel welds (Examination Category C-F-2) not exempted by IWC-1220. (Some welds not exempted by IWC-1220 are not required to be nondestructively examined per Examination Categories C-F-1 and C-F-2. These welds, however, shall be included in the total weld count to which the 7.5% sampling rate is applied.) The examinations shall be distributed as follows:
 - a. the examinations shall be distributed among the Class 2 systems prorated, to the degree practicable, on the number of nonexempt dissimilar metal, austenitic stainless steel and high alloy welds (Examination Category C-F-1) or carbon and low alloy welds (Examination Category C-F-2) in each system;
 - b. within a system, the examinations shall be distributed among terminal ends, dissimilar metal welds, and structural discontinuities prorated, to the degree practicable, on the number of nonexempt terminal ends, dissimilar metal welds, and structural discontinuities in the system; and

SHEARON HARRIS NUCLEAR POWER PLANT, UNIT NO. 1
DOCKET NO. 50-400/LICENSE NO. NPF-63
10CFR50.55a RELIEF REQUEST: I3R-02
Revision 0
(Page 3 of 6)

- c. within each system, examinations shall be distributed between line sizes prorated to the degree practicable.

4.0 REASON FOR REQUEST:

Pursuant to 10CFR50.55a(a)(3)(i), relief is requested on the basis that the proposed alternative utilizing Reference 1 along with two enhancements from Reference 4 will provide an acceptable level of quality and safety.

As stated in "Safety Evaluation Report Related to EPRI Risk-Informed Inservice Inspection Evaluation Procedure (EPRI TR-112657, Revision B, July 1999)" (Reference 2):

"The staff concludes that the proposed RISI program as described in EPRI TR-112657, Revision B, is a sound technical approach and will provide an acceptable level of quality and safety pursuant to 10CFR50.55a for the proposed alternative to the piping ISI requirements with regard to the number of locations, locations of inspections, and methods of inspection."

The initial Harris Nuclear Plant RISI Program was submitted during the Third Period of the Second Inspection Interval. This initial RISI program was developed in accordance with EPRI TR-112657, Revision B-A, as supplemented by Code Case N-578. The program was approved for use by the USNRC via a Safety Evaluation as transmitted to Progress Energy on March 8, 2006 (Reference 5).

The transition from the 1989 Edition to the 2001 Edition through the 2003 Addenda of ASME Section XI for Harris Nuclear Plant's Third Inspection Interval does not impact the currently approved Risk-Informed ISI evaluation process used in the Second Inspection Interval, and the requirements of the new Code edition/addenda will be implemented as detailed in the Harris Nuclear Plant ISI Program Plan.

The Risk Impact Assessment completed as part of the original baseline RISI Program was an implementation/transition check on the initial impact of converting from a traditional ASME Section XI program to the new RISI methodology. For the Third Interval ISI update, there is no transition occurring between two different methodologies, but rather, the currently approved RISI methodology and evaluation will be maintained for the new interval. As such, the original risk impact assessment process is not impacted by the new interval and does not require update.

As an added measure of assurance, any new systems, portions of systems, or components being included in the RISI Program for the Third Inspection Interval will be added to the Risk Impact Assessment performed during the previous interval. These components will

SHEARON HARRIS NUCLEAR POWER PLANT, UNIT NO. 1
DOCKET NO. 50-400/LICENSE NO. NPF-63
10CFR50.55a RELIEF REQUEST: I3R-02
Revision 0
(Page 4 of 6)

be addressed within the evaluation at the start of the new interval to assure that the new Third Inspection Interval RISI element selection provides an acceptable overall change-in-risk when compared to the old ASME Section XI population of exams which existed prior to the implementation of the first RISI Program.

The actual "evaluation and ranking procedure" including the Consequence Evaluation and Degradation Mechanism Assessment processes of the currently approved (Reference 5) RISI Program remain unchanged and are continually applied to maintain the Risk Categorization and Element Selection methods of EPRI TR-112657, Revision B-A. These portions of the RISI Program have been and will continue to be reevaluated and revised as major revisions of the site PRA occur and modifications to plant configuration are made. The Consequence Evaluation, Degradation Mechanism Assessment, Risk Ranking, and Element Selection steps encompass the complete *living program* process applied under the Harris Nuclear Plant RISI Program.

5.0 PROPOSED ALTERNATIVE AND BASIS FOR USE:

The proposed alternative originally implemented in the Initial Risk-Informed Inservice Inspection Program Plan, Harris Nuclear Plant (Reference 3), along with the two enhancements noted below, provide an acceptable level of quality and safety as required by 10CFR50.55a(a)(3)(i). This original program along with these same two enhancements is currently approved for the Harris Nuclear Plant Second Inspection Interval as documented in Reference 5.

The Third Inspection Interval RISI Program will be a continuation of the current application and will continue to be a living program as described in the Reason For Request section of this relief request. No changes to the evaluation methodology as currently implemented under EPRI TR-112657, Revision B-A, are required as part of this interval update. The following two enhancements will continue to be implemented.

In lieu of the evaluation and sample expansion requirements in Section 3.6.6.2, "RISI Selected Examinations" of EPRI TR-112657, Harris Nuclear Plant will utilize the requirements of Subarticle -2430, "Additional Examinations" contained in Code Case N-578-1 (Reference 4). The alternative criterion for additional examinations contained in Code Case N-578-1 provides a more refined methodology for implementing necessary additional examinations.

To supplement the requirements listed in Table 4-1, "Summary of Degradation-Specific Inspection Requirements and Examination Methods" of EPRI TR-112657, Harris Nuclear Plant will utilize the provisions listed in Table 1, Examination Category R-A, "Risk-Informed Piping Examinations" contained in Code Case N-578-1 (Reference 4). To implement Note 10 of this table,

SHEARON HARRIS NUCLEAR POWER PLANT, UNIT NO. 1
DOCKET NO. 50-400/LICENSE NO. NPF-63
10CFR50.55a RELIEF REQUEST: I3R-02
Revision 0
(Page 5 of 6)

paragraphs and figures from the 2001 Edition through the 2003 Addenda of ASME Section XI (Harris Nuclear Plant code of record for the Third Inspection Interval) will be utilized which parallel those referenced in the Code Case for the 1989 Edition. Table 1 of Code Case N-578-1 will be used as it provides a detailed breakdown for examination method and categorization of parts to be examined.

The Harris Nuclear Plant RISI Program, as developed in accordance with EPRI TR-112657, Rev. B-A (Reference 1), requires that 25% of the elements that are categorized as "High" risk (i.e., Risk Category 1, 2, and 3) and 10% of the elements that are categorized as "Medium" risk (i.e., Risk Categories 4 and 5) be selected for inspection. For this application, the guidance for the examination volume for a given degradation mechanism is provided by the EPRI TR-112657 while the guidance for the examination method and categorization of parts to be examined are provided by the EPRI TR-112657 as supplemented by Code Case N-578-1.

In addition to this risk-informed evaluation, selection, and examination procedure, all ASME Section XI piping components, regardless of risk classification, will continue to receive Code required pressure testing as part of the current ASME Section XI program. VT-2 visual examinations are scheduled in accordance with the Harris Nuclear Plant pressure testing program, which remains unaffected by the RISI program.

The RISI program has been updated consistent with the intent of NEI 04-05 (Reference 6) and continues to meet EPRI TR-112657 and Reg. Guide 1.174 risk acceptance criteria.

With respect to PRA technical adequacy, the HNP PRA is being used to support HNP's transition to NPFA-805. It has undergone a gap analysis against Reg. Guide 1.200 with respect to the NPFA-805 application. Identified gaps have been closed, except for one open item. Some Human Error probability pre-initiator events have not been updated to use a mean value versus a median value, which should have no impact on this RI-ISI submittal. The updated model is expected to be issued in the 2nd quarter of 2008.

Given the nature of the EPRI RI-ISI methodology, the living program component of the HNP RI-ISI program and that the HNP RI-ISI program has been previously approved for use by the NRC, reflecting revisions to the PRA are not expected to significantly impact the RI-ISI program.

It is also acknowledged that industry and NRC are in dialogue as to the applicability of Reg. Guide 1.200 to RI-ISI programs. As part of the living program component of the HNP RI-ISI program, HNP intends to update the RI-ISI program based up the outcome of this dialogue, as applicable.

SHEARON HARRIS NUCLEAR POWER PLANT, UNIT NO. 1
DOCKET NO. 50-400/LICENSE NO. NPF-63
10CFR50.55a RELIEF REQUEST: I3R-02
Revision 0
(Page 6 of 6)

6.0 DURATION OF PROPOSED ALTERNATIVE:

Relief is requested for the Third Ten-Year Inspection Interval for Harris Nuclear Plant.

7.0 PRECEDENTS:

Similar relief requests have been approved for:

Harris Nuclear Plant Second Inspection Interval Relief Request 2RG-010 was authorized per SER dated March 8, 2006. The Third Inspection Interval Relief Request utilizes an identical RISI methodology as was previously approved.

Susquehanna Steam Electric Station Third Inspection Interval Relief Request 3RR-01 was authorized per SER dated July 28, 2005.

Quad Cities Station Fourth Inspection Interval Relief Request I4R-02 was authorized per SER dated January 28, 2004.

Dresden Station Fourth Inspection Interval Relief Request I4R-02 was authorized per SER dated September 4, 2003.

8.0 REFERENCES:

- 1) Electric Power Research Institute (EPRI) Topical Report (TR) 112657 Rev. B-A, "Revised Risk-Informed Inservice Inspection Evaluation Procedure", December 1999
- 2) W. H. Bateman (USNRC) to G. L. Vine (EPRI) letter dated October 28, 1999 transmitting "Safety Evaluation Report Related to EPRI Risk-Informed Inservice Inspection Evaluation Procedure (EPRI TR-112657, Revision B, July 1999)"
- 3) Initial Risk-Informed Inservice Inspection Program Plan - Harris Nuclear Plant, Revision A (Letter HNP-05-049 from T.C. Morton (HNP) to the USNRC, dated April 27, 2005)
- 4) American Society of Mechanical Engineers (ASME) Code Case N-578-1, "Risk-Informed Requirements for Class 1, 2, or 3 Piping, Method B"
- 5) USNRC Safety Evaluation Report for HNP RISI Relief Request (Letter from M. L. Marshall (USNRC) to C. J. Gannon, dated March 8, 2006)
- 6) NEI 04-05, "Living Program Guidance to Maintain Risk-Informed Inservice Inspection Programs for Nuclear Plant Piping Systems" dated April 2004

SHEARON HARRIS NUCLEAR POWER PLANT, UNIT NO. 1
DOCKET NO. 50-400/LICENSE NO. NPF-63
10CFR50.55a RELIEF REQUEST: I3R-03
Revision 0
(Page 1 of 4)

**Request for Relief I3R-03 for Inservice Inspection Impracticality of Pressure Testing
the RPV Head Flange Seal Leak Detection System
In Accordance with 10CFR50.55a(g)(5)(iii)**

1.0 ASME CODE COMPONENTS AFFECTED:

Code Class: 2
Reference: Table IWC-2500-1
IWC-5200
Examination Category: C-H
Item Number: C7.10
Description: Pressure Testing the RPV Head Flange Seal Leak Detection System
Component Number: Class 2 RPV Head Flange Seal Leak Detection System
Drawing Number: 2165-S-1300

2.0 APPLICABLE CODE EDITION AND ADDENDA:

The Inservice Inspection program is based on the American Society of Mechanical Engineers (ASME) Boiler and Pressure Vessel (B&PV) Code, Section XI, 2001 Edition through the 2003 Addenda.

3.0 APPLICABLE CODE REQUIREMENT:

Table IWC-2500-1, Examination Category C-H, Item Number C7.10, requires all Class 2 pressure retaining components be subject to a system leakage test with a VT-2 visual examination in accordance with IWC-5220. This pressure test is to be conducted once each inspection period.

4.0 IMPRACTICALITY OF COMPLIANCE:

Pursuant to 10CFR50.55a(g)(5)(iii), relief is requested on the basis that pressure testing the RPV Flange Leak Detection Line is deemed impractical.

The Reactor Vessel Head Flange Leak Detection Line is separated from the reactor pressure boundary by one passive membrane, a silver-plated O-ring located on the vessel flange. A second O-ring is located on the opposite side of the tap in the vessel flange (See Figure I3R-03.1). This line is required during plant operation and will indicate failure of the inner flange seal O-ring. Failure of the O-ring would result in a High Pressure Alarm in the Main Control Room.

SHEARON HARRIS NUCLEAR POWER PLANT, UNIT NO. 1
DOCKET NO. 50-400/LICENSE NO. NPF-63
10CFR50.55a RELIEF REQUEST: I3R-03

Revision 0
(Page 2 of 4)

The configuration of this system precludes manual testing while the vessel head is removed. As figure I3R-03.1 portrays, the configuration of the vessel tap, combined with the small size of the tap and the high test pressure requirement (approximately 1045 psig), prevents the tap from being temporarily plugged. Also, when the vessel head is installed, an adequate pressure test cannot be performed due to the fact that the inner O-ring is designed to withstand pressure in one direction only. Due to the groove that the O-ring sits in and the pin/wire clip assembly (See Figure I3R-03.2), pressurization in the opposite direction into the recessed cavity and retainer clips would likely damage the O-ring and thus result in further damage to the O-ring.

5.0 BURDEN CAUSED BY COMPLIANCE:

Pressure testing of this line during the Class 2 System Leakage Test is precluded because the line will only be pressurized in the event of a failure of the inner O-ring. Purposely failing the inner O-ring to perform the Code Required test would require purchasing a new set of O-rings, additional time and radiation exposure to detension the reactor vessel head, install the new O-rings, and then reset and retension the reactor vessel head. This is considered to impose an undue hardship and burden on Harris Nuclear Plant.

Based on the above, Harris Nuclear Plant requests relief from the ASME Section XI requirements for system leakage testing of the Reactor Vessel Head Flange Seal Leak Detection System.

6.0 PROPOSED ALTERNATIVE AND BASIS FOR USE:

A VT-2 visual examination on the Class 2 portion of the RPV Flange Leak Detection Line will be performed during each refueling outage when the RPV head is off and the head cavity is flooded above the vessel flange. The static head developed with the leak detection line filled with water will allow for the detection of any gross indications in the line. This examination will be performed each refueling outage as per the frequency specified by Table IWC-2500-1.

7.0 DURATION OF PROPOSED ALTERNATIVE:

Relief is requested for the Third Ten-Year Inspection Interval for Harris Nuclear Plant.

8.0 PRECEDENTS:

Similar relief requests have been approved for:

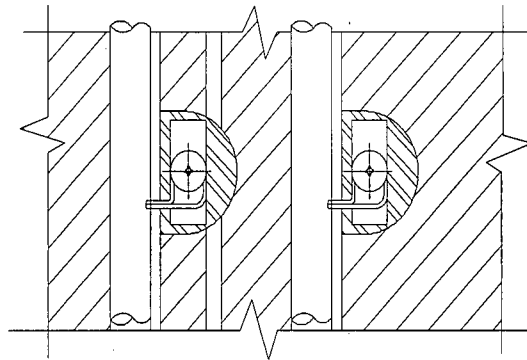
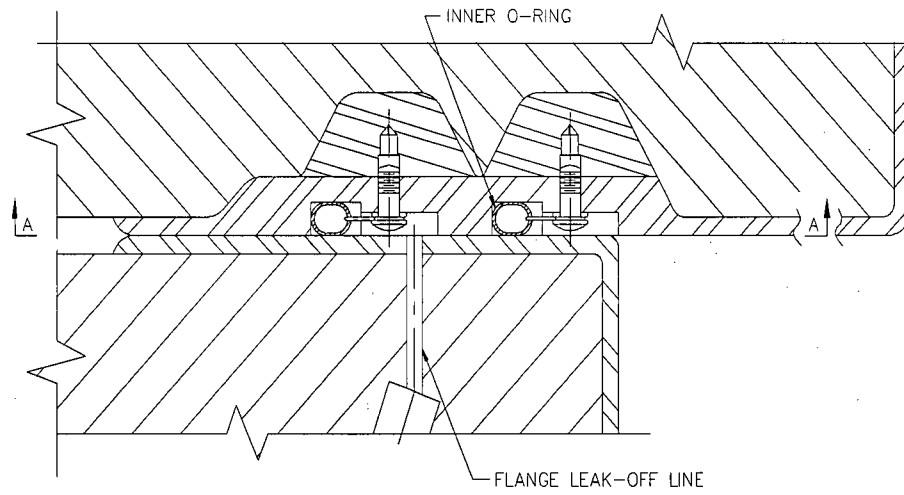
Susquehanna Steam Electric Station Third Inspection Interval Relief Request 3RR-07 was authorized per SER dated September 24, 2004.

SHEARON HARRIS NUCLEAR POWER PLANT, UNIT NO. 1
DOCKET NO. 50-400/LICENSE NO. NPF-63
10CFR50.55a RELIEF REQUEST: I3R-03

Revision 0
(Page 4 of 4)

FIGURE I3R-03.2

TYPICAL O-RING CONFIGURATION



SECTION A-A

SHEARON HARRIS NUCLEAR POWER PLANT, UNIT NO. 1

DOCKET NO. 50-400/LICENSE NO. NPF-63

10CFR50.55a RELIEF REQUEST: I3R-04

Revision 0

(Page 1 of 11)

**Request for Relief I3R-04 for Hardship or Unusual Difficulty Without Compensating Increase in Level of Quality or Safety for Piping and Valves Within the Class 1 Pressure Boundary Including Reactor Coolant, Charging, Safety Injection, and Residual Heat Removal Systems.
In Accordance with 10CFR50.55a(a)(3)(ii)**

1.0 ASME CODE COMPONENTS AFFECTED:

Code Class: 1
Reference: IWB-5222(b)
Examination Category: B-P
Item Number: B15.10
Description: Piping and Valves within the Class 1 Pressure Boundary Including Reactor Coolant, Charging, Safety Injection, and Residual Heat Removal Systems
Component Number: Process piping, drains, vent, test, and fill lines within the Class 1 pressure boundary
Drawing Number: Various

2.0 APPLICABLE CODE EDITION AND ADDENDA:

The Inservice Inspection program is based on the American Society of Mechanical Engineers (ASME) Boiler and Pressure Vessel (B&PV) Code, Section XI, 2001 Edition through the 2003 Addenda.

3.0 APPLICABLE CODE REQUIREMENT:

Table IWB-2500-1, Examination Category B-P, Item Number B15.10, requires all Class 1 pressure retaining components be subject to a system leakage test with a VT-2 visual examination in accordance with IWB-5220. This pressure test is to be conducted prior to plant startup following each reactor refueling outage. The pressure retaining boundary for the test conducted at or near the end of each inspection interval shall be extended to all Class 1 pressure retaining components per IWB-5222(b).

4.0 REASON FOR REQUEST:

Pursuant to 10CFR50.55a(a)(3)(ii), relief is requested on the basis that compliance with the specified requirements would result in hardship or unusual difficulty without a compensating increase in the level of quality and safety.

SHEARON HARRIS NUCLEAR POWER PLANT, UNIT NO. 1
DOCKET NO. 50-400/LICENSE NO. NPF-63
10CFR50.55a RELIEF REQUEST: I3R-04
Revision 0
(Page 2 of 11)

Relief is requested from ASME Section XI, IWB-5222(b), regarding extension of the pressure retaining boundary during system pressure tests conducted at or near the end of each inspection interval to all Class 1 pressure retaining components within the system boundary.

Table 1 identifies the Class 1 pressure retaining components that are associated with the requested relief.

The Class 1 drains, vent, test, and fill lines are equipped with isolation valves, which provide double isolation of the Reactor Coolant Pressure Boundary (RCPB). These valves are generally maintained in the closed position during normal plant operation. The piping outboard of the first isolation valve is not normally pressurized. Under normal operating conditions, the piping and connections are subjected to reactor coolant system pressure and temperature only if leakage through the inboard valves occurs. To perform the ASME Section XI required pressure test, it would be necessary to manually open the inboard valves to pressurize the piping and connections. Pressurization by this method defeats the double isolation and reduces the margin of personnel safety for those performing the test. Furthermore, performing the test with the inboard isolation valves open requires several man-hours to position the valves for the test and restore the valves to their closed positions once the test is completed. These valves are located in close proximity to the RCS loop piping and thus would require personnel entry into high radiation areas within the containment and a consequent increase in radiation exposure. Since this test would be performed near the end of an outage when all RCS work has been completed, the time required to open and close these valves would impact the outage schedule. Thus, compliance with this specific Code requirement results in unnecessary hardship pursuant to 10CFR50.55a(a)(3)(ii) without a compensating increase in the level of quality and safety.

Also, HNP design of Class 1 process piping requires substantial effort to extend the Class 1 system boundary where check valves or non-redundant components serve as the first system isolation from the reactor coolant system. Such configurations may require check valve disassembly or other temporary configurations to achieve test pressures at upstream piping and valves. Since the Class 1 system pressure testing is performed in Mode 3, these temporary configurations could conflict with Technical Specification requirements. Establishing and restoring such temporary configurations could also result in an unwarranted increase in worker radiation exposure.

Based on the above, extension of the pressure-retaining boundary during system leakage tests to Class 1 pressure retaining components within the system boundary represents a hardship and unusual difficulty that does not provide a compensating increase in the level of quality and safety.

SHEARON HARRIS NUCLEAR POWER PLANT, UNIT NO. 1
DOCKET NO. 50-400/LICENSE NO. NPF-63
10CFR50.55a RELIEF REQUEST: I3R-04

Revision 0
(Page 3 of 11)

The following is specific information pertaining to the various pipe segments for which relief has been requested.

Small Size Class 1 Vent, Drain, Test, and Fill Lines

Relief is requested from fully pressurizing piping between the first and second isolation device on small size vent, drain, test, and fill lines. HNP does not have any small size vent, drain, test, or fill lines that are configured with a cap or blind flange that represents the second containment isolation valve. All small size vent, drain, test, or fill lines at HNP are configured with two small isolation valves in series. There are twenty-six vent, drain, test and fill lines in the Reactor Coolant System (RCS) ranging in size from 0.5 inch to two inches. The configurations are two small isolation valves in series. The piping segments provide the design-required double isolation barrier for the reactor coolant pressure boundary. The Code-required leakage test would be performed in MODE 3 at the normal operating pressure of 2235 psig and at a nominal temperature of about 557°F.

Leakage testing of these piping segments at nominal operating pressure in MODE 3 would require the opening of the inboard isolation valve at the normal operating RCS temperature and pressure conditions. In so doing, the design requirement for two primary coolant pressure boundary isolation devices would be violated. Additionally, opening these valves introduces the potential risk for spills and personnel contamination.

These piping segments are VT-2 visually inspected through the entire length as part of the Class 1 system inspection at the conclusion of each refueling outage. The leakage test will not specifically pressurize past the first isolation valve for the end of interval test. No external or visible leakage will be allowed for a test to be successful. The increase in safety achieved from the Code-required leakage test is not commensurate with the hardship of performing such testing.

Larger Size Class 1 Piping Segments

12 Inch Residual Heat Removal Motor Operated Valves

This piping segment consists of two 86-foot run of piping between Residual Heat Removal (RHR) inlet valves 1RH-39 & 40, and 1RH-1 & 2. These valves are interlocked at a required setpoint of <363 psig to avoid over-pressurization of the RHR system. The interlock prevents manual opening of the valves from the Control Room with RCS pressure above the setpoint.

The piping segment is VT-2 visually inspected through the entire length as part of the Class 1 system inspection at the conclusion of each refueling outage. The proposed

SHEARON HARRIS NUCLEAR POWER PLANT, UNIT NO. 1
DOCKET NO. 50-400/LICENSE NO. NPF-63
10CFR50.55a RELIEF REQUEST: I3R-04

Revision 0
(Page 4 of 11)

system pressure test will not specifically pressurize past the first isolation valve for the end of interval test. It is possible that the piping becomes pressurized due to minor leakage past the first isolation valve. No external or visible leakage will be allowed for the test to be successful.

Safety Injection Loops Low Head Check Valves 1SI-250, 252, & 254, and Upstream Piping

These three piping segments each consist of a 26-28 foot run of piping along with a short 1.00 inch connection. These lines are for injecting low head Emergency Core Cooling System (ECCS) water from the accumulators and the low head safety injection system (i.e., RHR system in ECCS configuration). The primary isolation and secondary isolation devices for the 12 inch lines are check valves oriented to flow into the RCS. The piping segments provide the design-required double isolation barrier for the reactor coolant pressure boundary.

Leakage testing in MODE 3 would require a pressure source be connected at each segment location. In so doing, the design requirement for two primary coolant pressure boundary isolation devices would be violated. For test locations located overhead and away from normal personnel access areas, ladders or scaffolding would have to be installed to provide access to the piping segment and to open the valve. This process would lead to additional occupational radiation dose for testing these lines.

These lines are located in areas involving occupational radiation exposure, and leakage testing of these lines would increase occupational radiation dose.

The leakage test will not specifically pressurize past the first isolation valve for the end of interval test. It is possible that the piping becomes pressurized due to minor leakage past the first isolation valve. Otherwise, the pressure in the segment will be at least at the operating pressure of the cold leg accumulators, which are pressurized to between 585 and 665 psig. No external or visible leakage will be allowed for the test to be successful. Since this test will assure that the combined first and second isolation devices are effective in maintaining the reactor coolant pressure boundary at normal operating temperature and pressure, the increase in safety achieved from the Code-required leakage test is not commensurate with the hardship of performing such testing.

The Safety injection Low Head Check Valves 1SI-250, 1SI-252, and 1SI-254 will check normal RCS pressure upstream. The Safety Injection Accumulators are aligned to the subject piping during Mode 3, thus the piping segments between the first and second isolation valves will be exposed to the Safety Injection accumulator pressure which is 585 to 665 psig. The temperature will be at ambient containment temperature and is maintained below 120°F.

SHEARON HARRIS NUCLEAR POWER PLANT, UNIT NO. 1
DOCKET NO. 50-400/LICENSE NO. NPF-63
10CFR50.55a RELIEF REQUEST: I3R-04

Revision 0
(Page 5 of 11)

Safety Injection Loops High Head Check Valves 1SI-81, 82, 83, 136, 137 & 138, and Upstream Piping

These six piping segments each consist of a 2-inch and 6-inch piping span between two check valves oriented toward the RCS. These lines are for injecting high head ECCS water into the hot and cold legs after an accident. The primary and secondary isolation devices are check valves oriented to flow into the RCS. The piping segments provide the design-required double isolation barrier for the reactor coolant pressure boundary. Leakage testing of these piping segments at nominal operating pressure in MODE 3 would require a modification to allow pressurizing to the normal operating RCS temperature and pressure conditions.

The leakage tests will not specifically pressurize past the first isolation valve for this inspection. It is possible that the piping becomes pressurized due to minor leakage past the first isolation valve. No external or visible leakage will be allowed for the test to be successful. This test will assure that the combined first and second isolation valves are effective in maintaining the reactor coolant pressure boundary at normal operating temperature and pressure.

Prior to the Mode 3 pressure test, the RHR system will have been in service. When RHR is removed from service prior to reaching Mode 3, the piping will be at an elevated temperature and pressure condition. This is the condition of the piping and valves 1SI-81, 1SI-82, and 1SI-83 in normal system configuration for Mode 3 and the proposed alternate pressure test. The expected pressures and temperatures are 325-360 psig and 300-350°F.

For valves 1SI-136, 1SI-137, and 1SI-138, flow is not established through the piping of these check valves during ascension to Mode 3 and/or Mode 3. Thus, the piping is at elevated head pressure and ambient containment temperature which is maintained below 120°F.

Pumps

There are no pumps associated with any of the piping segments in this relief request.

SHEARON HARRIS NUCLEAR POWER PLANT, UNIT NO. 1
DOCKET NO. 50-400/LICENSE NO. NPF-63
10CFR50.55a RELIEF REQUEST: I3R-04
Revision 0
(Page 6 of 11)

5.0 PROPOSED ALTERNATIVE AND BASIS FOR USE:

The Class 1 system boundary during the ten-year interval leakage test will be maintained in a normal, operational alignment with items identified within Table 1 constituting exceptions to the Code-required boundary. The VT-2 visual examination will extend to the Class 1 pressure boundary.

Items within Table 1 will be visually examined for evidence of leakage during system leakage testing without being pressurized.

6.0 DURATION OF PROPOSED ALTERNATIVE:

Relief is requested for the Third Ten-Year Inspection Interval for Harris Nuclear Plant.

7.0 PRECEDENTS:

Similar relief requests have been approved for:

Harris Nuclear Plant Second Inspection Interval Relief Request 2R1-015 was authorized per SER dated April 17, 2006. The Third Inspection Interval Relief Request utilizes an identical RISI methodology as was previously approved.

Cooper Nuclear Station Fourth Inspection Interval Relief Request PR-11 was authorized per SER dated October 2, 2006.

Fitzpatrick Nuclear Power Plant Third Inspection Interval Relief Request was authorized per SER dated November 1, 2005.

Note that ASME Section XI has recently approved Code Case N-731, Alternative Class 1 System Leakage Test Pressure Requirements. The Code Case allows "for portions of Class 1 Safety Injection systems that are continuously pressurized during an operating cycle, the pressure associated with a statically-pressurized passive Safety Injection system of a pressurized water reactor may be used."

SHEARON HARRIS NUCLEAR POWER PLANT, UNIT NO. 1
DOCKET NO. 50-400/LICENSE NO. NPF-63
10CFR50.55a RELIEF REQUEST: I3R-04

Revision 0
(Page 7 of 11)

TABLE 1: RELIEF REQUEST NUMBER I3R-04 AFFECTED CLASS 1 PRESSURE RETAINING COMPONENTS – EXAMINATION CATEGORY B-P					
AFFECTED LINE OR COMPONENT	PIPE DIAM. (IN.)	PIPE MATERIAL/SCHEDULE	APPROX LENGTH (FT.)	DRAWING NO.	BOUNDARY EXCEPTION(S)
Loop Drain Line Isolation Valve	2	SCH 160, A-376 TP304	≤ 1 ft.	2165-S-1300 2165-G-800 2165-G-129	Valve 1RC-7 remains closed to avoid pressurizing downstream Class 1 pipe and valve 1RC-8
Loop Drain Line Isolation Valve	2	SCH 160, A-376 TP304	≤ 1 ft.	2165-S-1300 2165-G-800 2165-G-129	Valve 1RC-16 remains closed to avoid pressurizing downstream Class 1 pipe and valve 1RC-17
Loop Drain Line Isolation Valve	2	SCH 160, A-376 TP304	≤ 1 ft.	2165-S-1300 2165-G-800 2165-G-129	Valve 1RC-28 remains closed to avoid pressurizing downstream Class 1 pipe and valve 1RC-29
Pressurizer PORV Vent Line on Primary Sample Path off Pressurizer	0.75	SCH 160, A-376 TP304	0.5 ft.	2165-S-1301 2165-G-801 2165-G-148	Valve 1RC-110 remains closed to avoid pressurizing downstream Class 1 pipe and valve 1RC-111
Instrument Vent Line on Pressurizer Level Instrument Loop 1LT-459	0.5	SCH 160, A-376 TP304	0.5 ft.	2165-S-1301 2165-G-801 2165-G-147	Valve 1RC-984 remains closed to avoid pressurizing downstream Class 1 pipe and valve 1RC-985
Instrument Vent Line on Pressurizer Level Instrument Loop 1LT-460	0.5	SCH 160, A-376 TP304	0.5 ft.	2165-S-1301 2165-G-801 2165-G-147	Valve 1RC-986 remains closed to avoid pressurizing downstream Class 1 pipe and valve 1RC-987
Instrument Vent Line on Pressurizer Level Instrument Loop 1LT-461	0.5	SCH 160, A-376 TP304	0.5 ft.	2165-S-1301 2165-G-801 2165-G-147	Valve 1RC-988 remains closed to avoid pressurizing downstream Class 1 pipe and valve 1RC-989
CVCS Pressurizer Spray Downstream CV and Test Connection Isolation Valve	2	SCH 160, A-376 TP304	≤ 1 ft.	2165-S-1303 2165-G-803 2165-G-137 2165-G-139	Check valve to remain closed to avoid disassembly or other temporary configurations required to achieve test pressures at upstream piping and valves 1CS-491 and 1CS-488
	1		1.5 ft.		Valve 1CS-489 remains closed to avoid pressurizing downstream Class 1 pipe and valve 1CS-490

SHEARON HARRIS NUCLEAR POWER PLANT, UNIT NO. 1
DOCKET NO. 50-400/LICENSE NO. NPF-63
10CFR50.55a RELIEF REQUEST: I3R-04

Revision 0
(Page 8 of 11)

TABLE 1: RELIEF REQUEST NUMBER I3R-04					
AFFECTED CLASS 1 PRESSURE RETAINING COMPONENTS – EXAMINATION CATEGORY B-P					
AFFECTED LINE OR COMPONENT	PIPE DIAM. (IN.)	PIPE MATERIAL/ SCHEDULE	APPROX LENGTH (FT.)	DRAWING NO.	BOUNDARY EXCEPTION(S)
Norm Charging Line Upstream CV and Test Connection Isolation Valve	3	SCH 160, A-376 TP304	≤ 1 ft.	2165-S-1303 2165-G-803 2165-G-137 2165-G-139	Check valve to remain closed to avoid disassembly or other temporary configurations required to achieve test pressures at upstream piping and valves 1CS-500 and 1CS-497
	1		1.5 ft.		
Alt Charging Line Upstream CV and Test Connection Isolation Valve	3	SCH 160, A-376 TP304	≤ 1 ft.	2165-S-1303 2165-G-803 2165-G-137 2165-G-139	Check valve to remain closed to avoid disassembly or other temporary configurations required to achieve test pressures at upstream piping and valves 1CS-486 and 1CS-483
	1		1.5 ft.		
Excess Letdown Upstream Isolation Valve	1	SCH 160, A-376 TP304	1.5 ft.	2165-S-1303 2165-G-803 2165-G-138	Valve 1CS-460 remains closed to avoid pressurizing downstream Class 1 pipe and valve 1CS-461
Between Accumulator 1A-SA Discharge Check Valve and SI to RCS Loop "A" Check Valve	12	SCH 140, A-376 TP316	26	2165-S-1309 2165-G-809 2165-G-154 2165-G-155	Check valve to remain closed to avoid disassembly or other temporary configurations required to achieve test pressures at upstream piping and valves 1SI-249 and 1SI-250
	1	SCH 160, A-376 TP304	2		
Between Accumulator 1B-SB Discharge Check Valve and SI to RCS Loop "B" Check Valve	12	SCH 140, A-376 TP316	28	2165-S-1309 2165-G-809 2165-G-154 2165-G-155	Check valve to remain closed to avoid disassembly or other temporary configurations required to achieve test pressures at upstream piping and valves 1SI-251 and 1SI-252
	1	SCH 160, A-376 TP304	2		

SHEARON HARRIS NUCLEAR POWER PLANT, UNIT NO. 1
 DOCKET NO. 50-400/LICENSE NO. NPF-63
 10CFR50.55a RELIEF REQUEST: I3R-04

Revision 0
 (Page 9 of 11)

TABLE 1: RELIEF REQUEST NUMBER I3R-04					
AFFECTED CLASS 1 PRESSURE RETAINING COMPONENTS – EXAMINATION CATEGORY B-P					
AFFECTED LINE OR COMPONENT	PIPE DIAM. (IN.)	PIPE MATERIAL/SCHEDULE	APPROX LENGTH (FT.)	DRAWING NO.	BOUNDARY EXCEPTION(S)
Between Accumulator 1C-SA Discharge Check Valve and SI to RCS Loop "C" Check Valve	12	SCH 140, A-376 TP316	26	2165-S-1309 2165-G-809 2165-G-154 2165-G-155	Check valve to remain closed to avoid disassembly or other temporary configurations required to achieve test pressures at upstream piping and valves 1SI-253 and 1SI-254
	1	SCH 160, A-376 TP304	2		Valve 1SI-277 remains closed to avoid pressurizing downstream Class 1 pipe and valve 1SI-278
RCS Loop to RHR Pump "B" Isolation and Drain Line	12	SCH 140S, A-376 TP316	86	2165-S-1324 2165-G-824 2165-G-155	Valves 1RH-39 and 1RH-40 remain closed to avoid over-pressurization of the RHR system
	1	SCH 160S, A-376 TP304	2		Valve 1RH-41 remains closed to avoid pressurizing downstream Class 1 pipe and valve 1RH-42
RCS Loop to RHR Pump "A" Isolation and Drain Line	12	SCH 140S, A-376 TP316	86	2165-S-1324 2165-G-824 2165-G-155	Valves 1RH-1 and 1RH-2 remain closed to avoid over-pressurization of the RHR system
	1	SCH 160S, A-376 TP304	2		Valve 1RH-3 remains closed to avoid pressurizing downstream Class 1 pipe and valve 1RH-4
RCS Cold Leg Loop 1 SIS, Boron injection, and CVCS paths	6	SCH 160, A-376 TP304	38	2165-S-1310 2165-G-810 2165-S-1308 2165-G-808 2165-G-154 2165-G-155 2165-G-156	Check valve to remain closed to avoid disassembly or other temporary configurations required to achieve test pressures at upstream piping and valves 1SI-81, 1SI-356, 1SI-8, and 1SI-72
	2		68		
	2		3		
	1		1.5		
	1		1.5		
					Valve 1SI-79 remains closed to avoid pressurizing downstream Class 1 pipe and valve 1SI-80

SHEARON HARRIS NUCLEAR POWER PLANT, UNIT NO. 1
 DOCKET NO. 50-400/LICENSE NO. NPF-63
 10CFR50.55a RELIEF REQUEST: I3R-04

Revision 0
 (Page 10 of 11)

TABLE 1: RELIEF REQUEST NUMBER I3R-04						
AFFECTED CLASS 1 PRESSURE RETAINING COMPONENTS – EXAMINATION CATEGORY B-P						
AFFECTED LINE OR COMPONENT	PIPE DIAM. (IN.)	PIPE MATERIAL/SCHEDULE	APPROX LENGTH (FT.)	DRAWING NO.	BOUNDARY EXCEPTION(S)	
Class 1 piping from Residual Heat Exchanger to RCS Cold Leg Loop 2	6	SCH 160, A-376 TP304	33	2165-S-1310 2165-G-810 2165-S-1308 2165-G-808 2165-G-154 2165-G-155 2165-G-156	Check valve to remain closed to avoid disassembly or other temporary configurations required to achieve test pressures at upstream piping and valves 1SI-82, 1SI-357, 1SI-9, and 1SI-73	
	2		83			
	2		7			
	1		1.5			Valve 1SI-33 remains closed to avoid pressurizing downstream Class 1 pipe and valve 1SI-34
	1		1.5			Valve 1SI-75 remains closed to avoid pressurizing downstream Class 1 pipe and valve 1SI-76
Class 1 piping from Residual Heat Exchanger to RCS Cold Leg Loop 3	6	SCH 160, A-376 TP304	25.5	2165-S-1310 2165-G-810 2165-S-1308 2165-G-808 2165-G-154 2165-G-155 2165-G-156	Check valve to remain closed to avoid disassembly or other temporary configurations required to achieve test pressures at upstream piping and valves 1SI-83, 1SI-358, 1SI-10, and 1SI-74	
	2		49.5			
	2		1.5			Valve 1SI-39 remains closed to avoid pressurizing downstream Class 1 pipe and valve 1SI-40
	1		1.5			Valve 1SI-77 remains closed to avoid pressurizing downstream Class 1 pipe and valve 1SI-78
	1		1.5			
Class 1 piping from Residual Heat Exchanger to RCS Hot Leg Loop 1	6	SCH 160, A-376 TP304	43	2165-S-1308 2165-G-808 2165-G-154 2165-G-156	Check valve to remain closed to avoid disassembly or other temporary configurations required to achieve test pressures at upstream piping and valves 1SI-136, 1SI-134, 1SI-104, and 1SI-127	
	2		2.5			
	2		2.5			Valve 1SI-376 remains closed to avoid pressurizing downstream Class 1 pipe and valve 1SI-377
	1		1.5			
Class 1 piping from Residual Heat Exchanger to RCS Hot Leg Loop 2	6	SCH 160, A-376 TP304	44.5	2165-S-1308 2165-G-808 2165-G-154 2165-G-156	Check valve to remain closed to avoid disassembly or other temporary configurations required to achieve test pressures at upstream piping and valves 1SI-137, 1SI-135, 1SI-105, and 1SI-128	
	2		2.5			
	2		2.5			

SHEARON HARRIS NUCLEAR POWER PLANT, UNIT NO. 1

DOCKET NO. 50-400/LICENSE NO. NPF-63

10CFR50.55a RELIEF REQUEST: I3R-04

Revision 0

(Page 11 of 11)

TABLE 1: RELIEF REQUEST NUMBER I3R-04					
AFFECTED CLASS 1 PRESSURE RETAINING COMPONENTS – EXAMINATION CATEGORY B-P					
AFFECTED LINE OR COMPONENT	PIPE DIAM. (IN.)	PIPE MATERIAL/SCHEDULE	APPROX LENGTH (FT.)	DRAWING NO.	BOUNDARY EXCEPTION(S)
	1		1.5		Valve ISI-132 remains closed to avoid pressurizing downstream Class 1 pipe and valve ISI-133
Class 1 piping from Residual Heat Exchanger to RCS Hot Leg Loop 3	6	SCH 160, A-376 TP304	1	2165-S-1308 2165-G-808 2165-G-154 2165-G-156	Check valve to remain closed to avoid disassembly or other temporary configurations required to achieve test pressures at upstream piping and valves ISI-138, ISI-106, and ISI-129
	2		42.5		
	2		1		
	2		1		
	1		1.5		