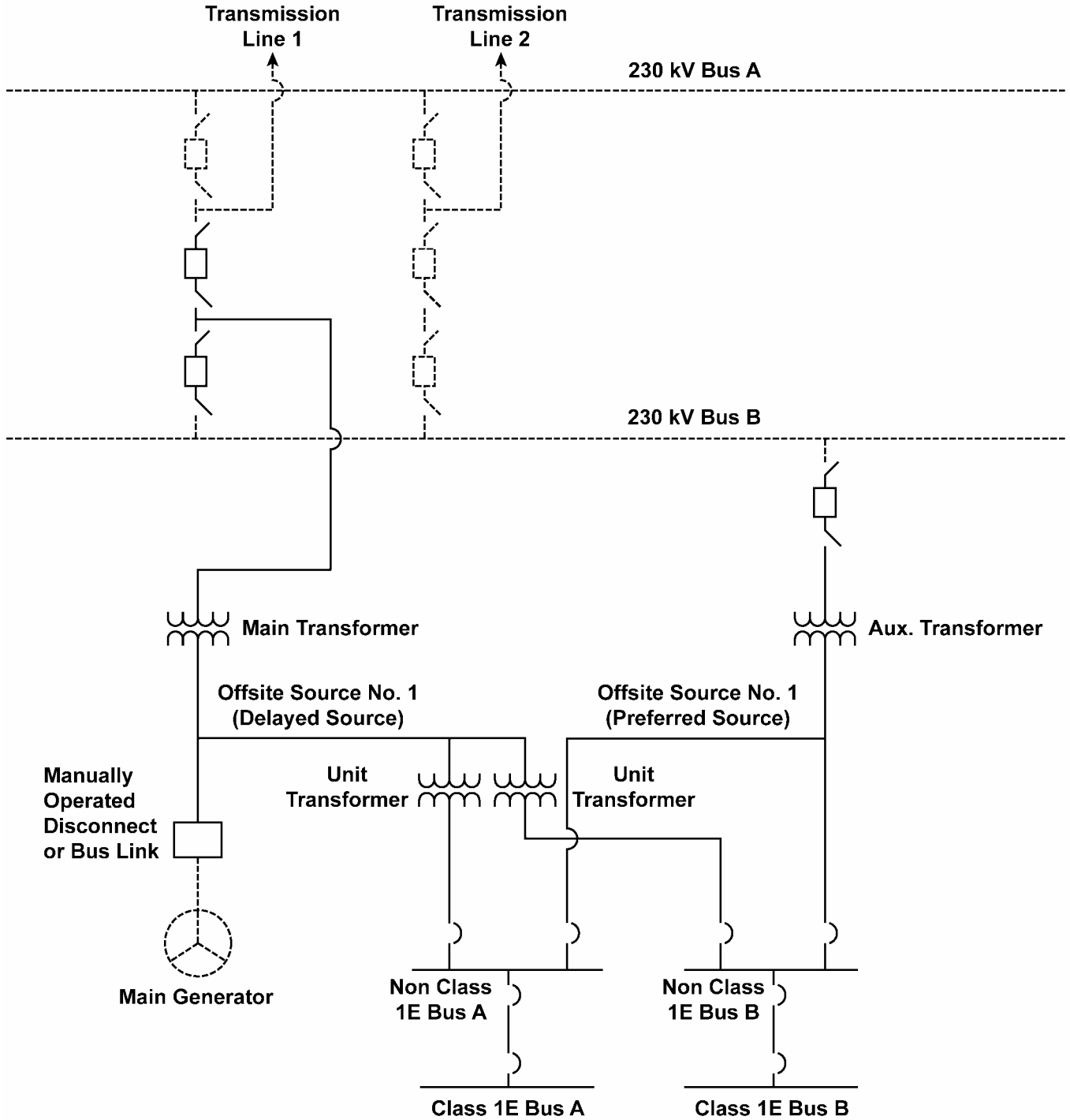
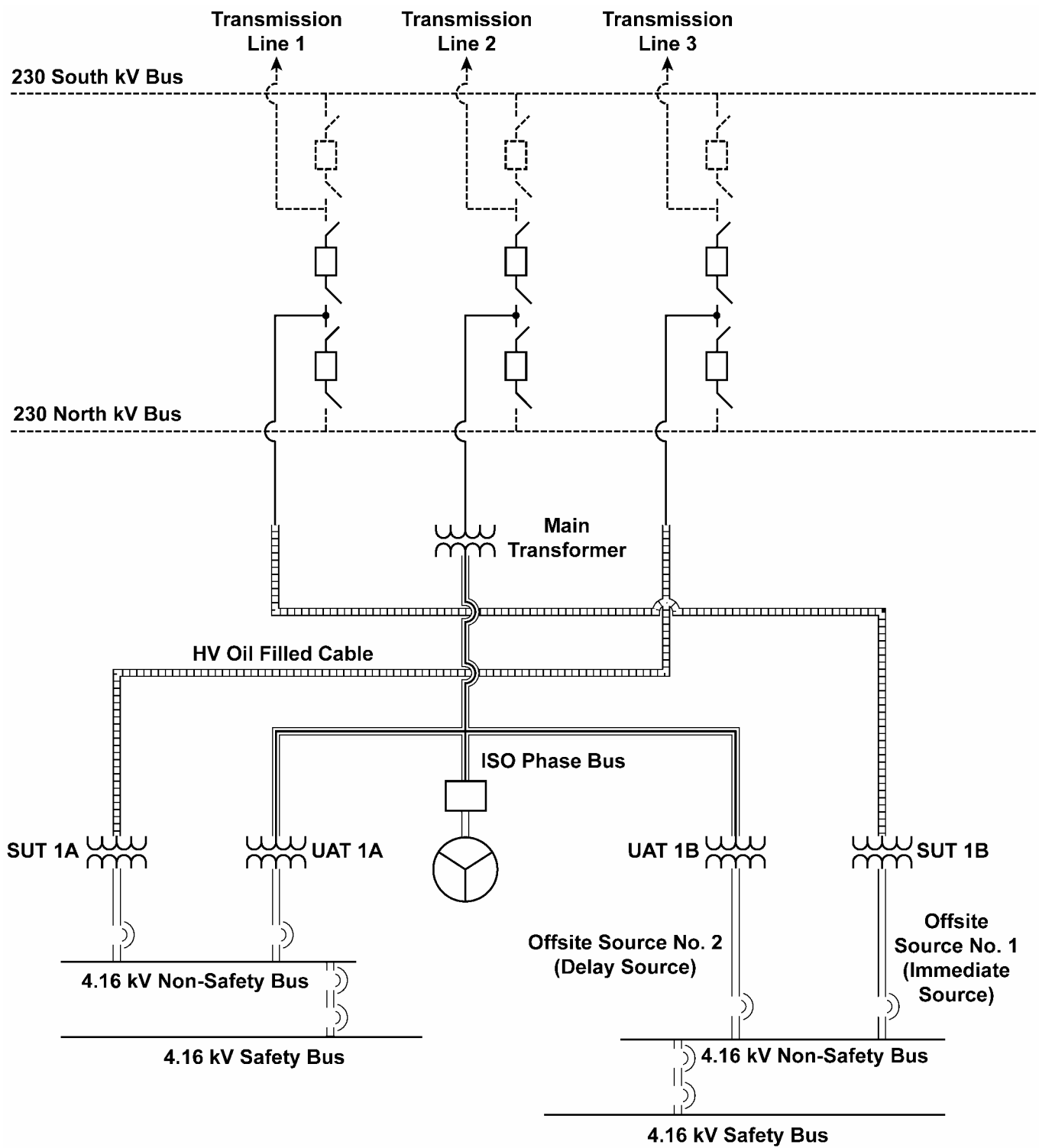


Figures for LR-ISG-2008-01: SBO Scoping Boundary



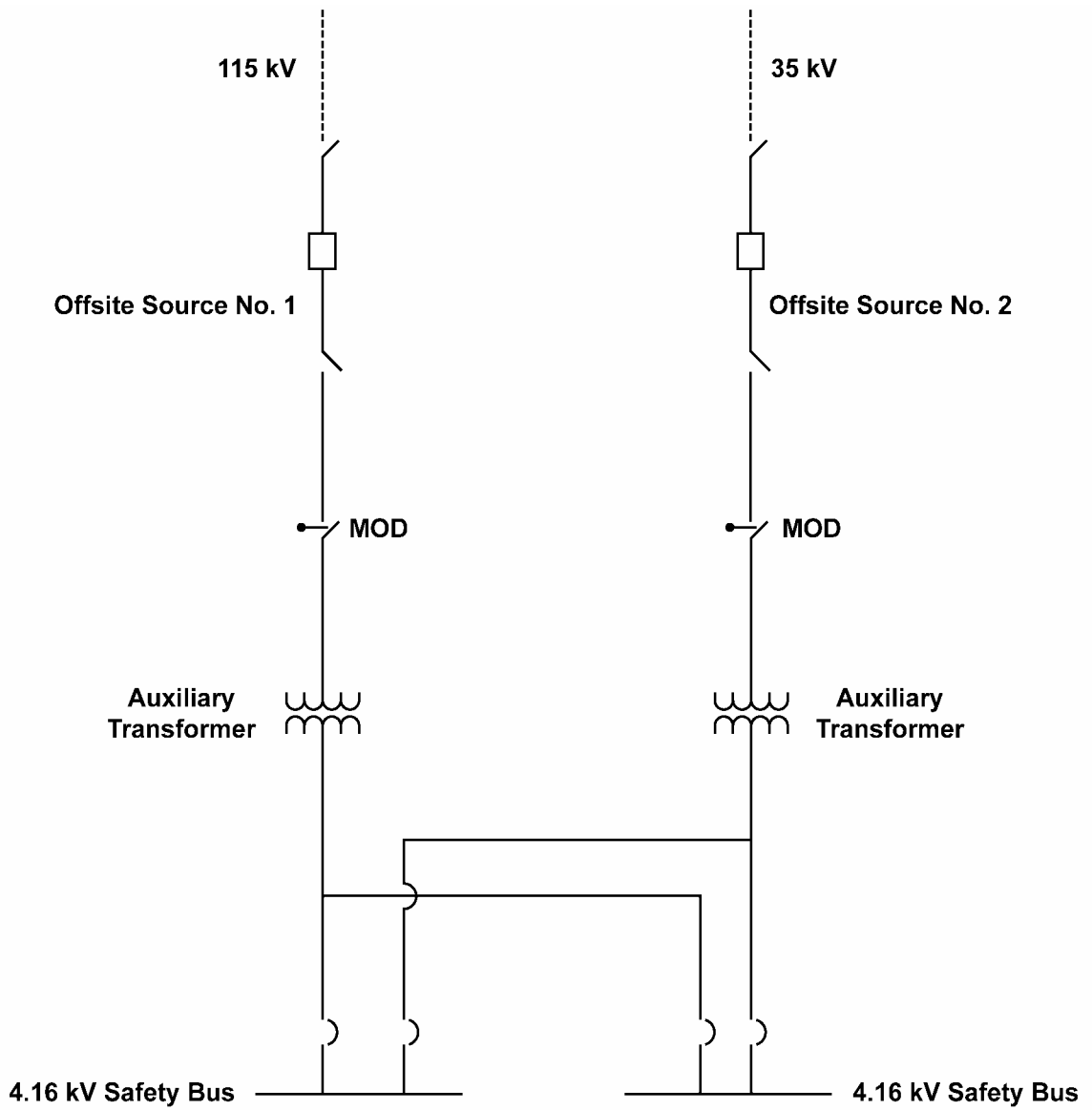
Note: Solid lines are within the scope of license renewal.

Figure 1



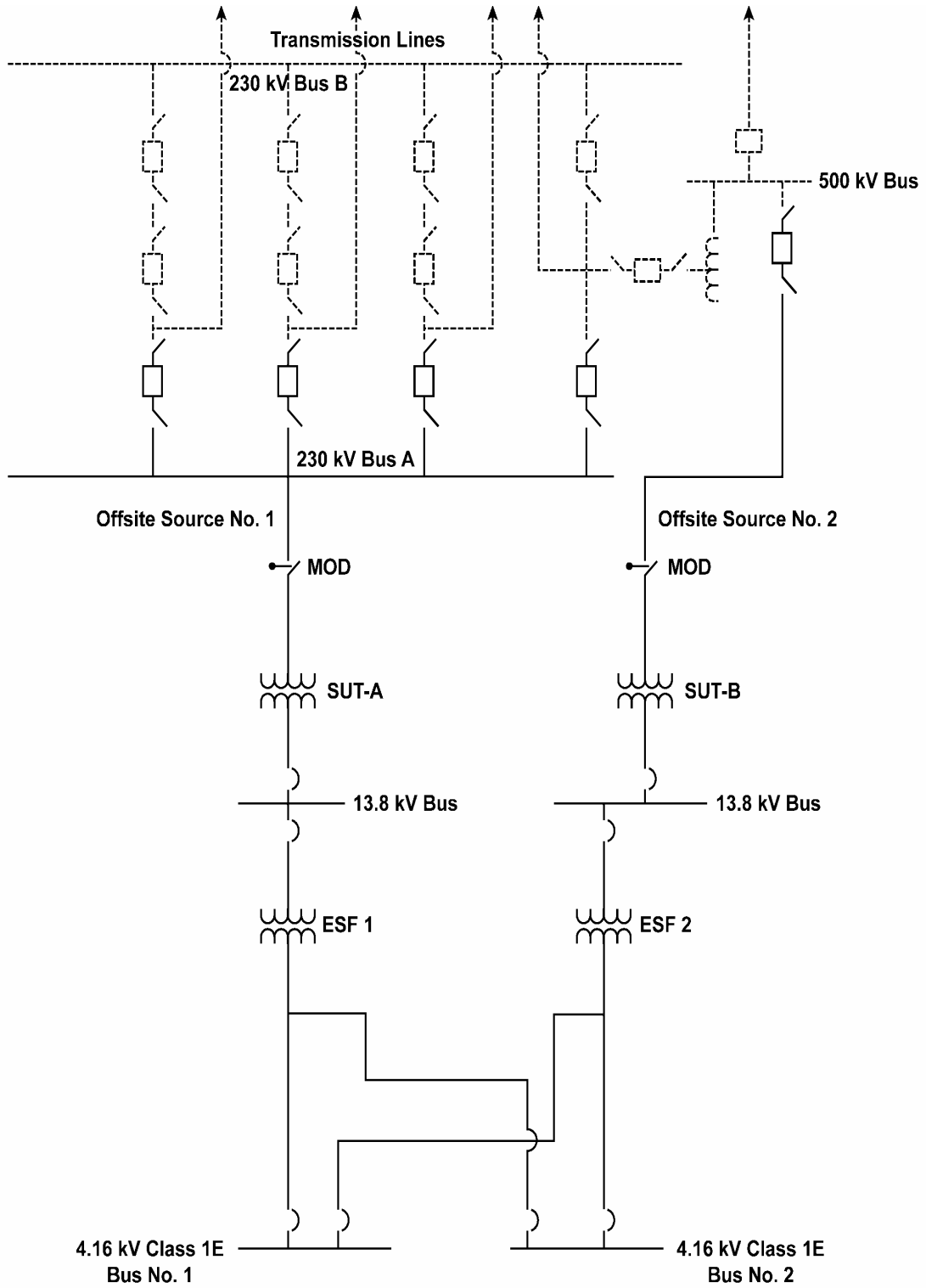
Note: Solid lines are within the scope of license renewal.

Figure 2



Note: Solid lines are within the scope of license renewal.

Figure 3



Note: Solid lines are within the scope of license renewal.

Figure 4