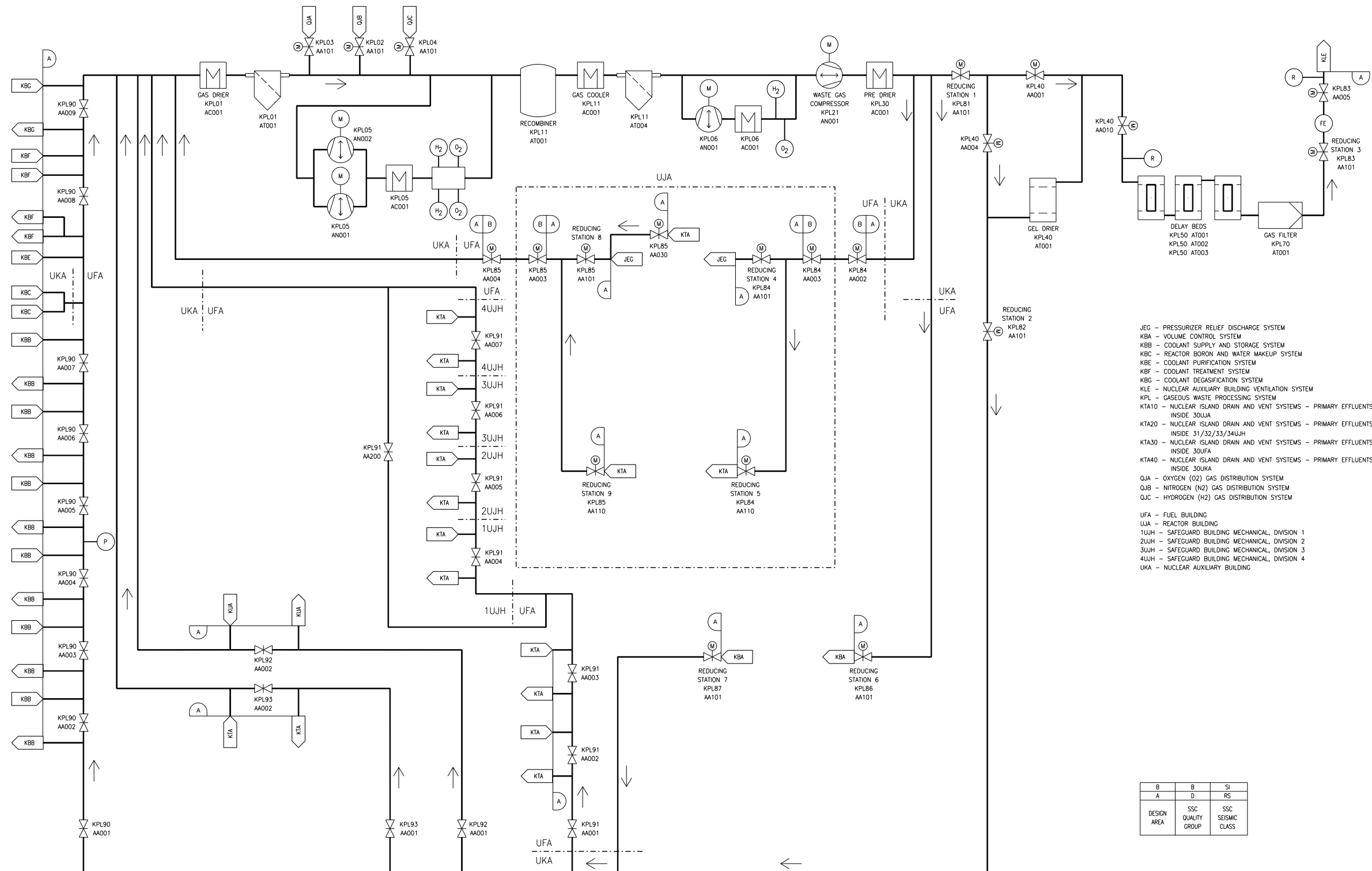
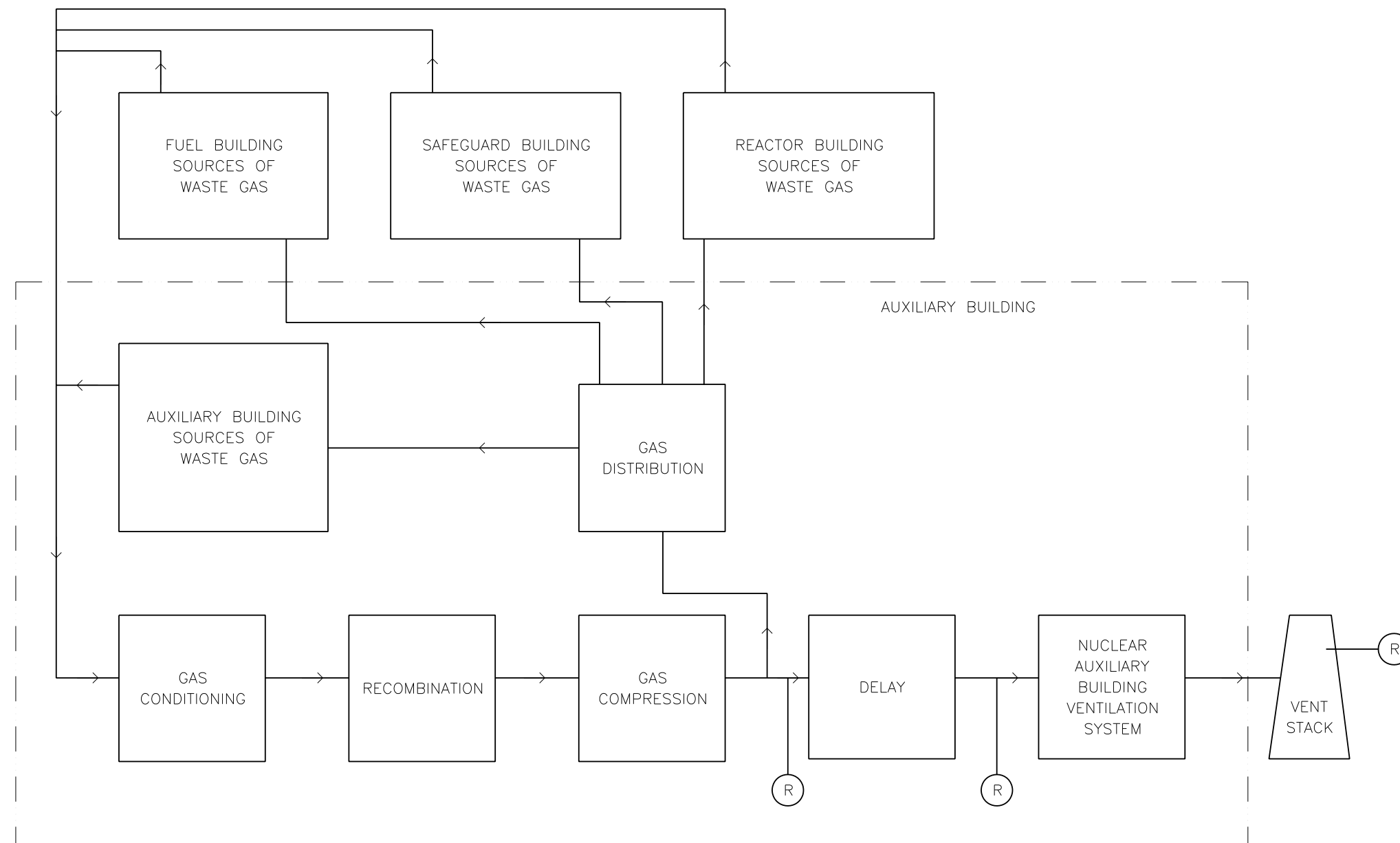


Figure 11.3-1—Gaseous Waste Processing System - Normal Operation



KPL01T2

Figure 11.3-2—Gaseous Waste Processing System - Gaseous Waste Sources



KPL07T2