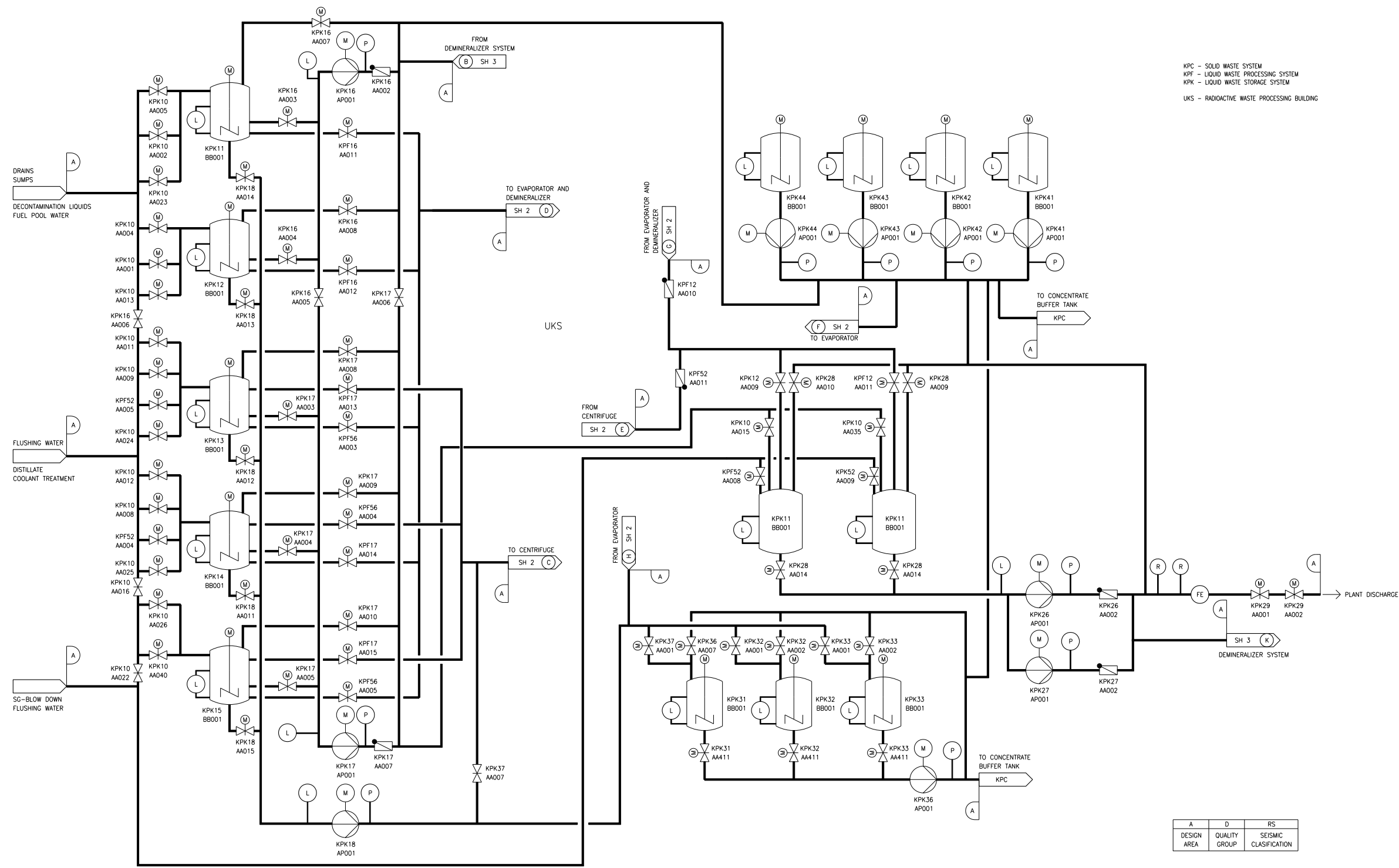
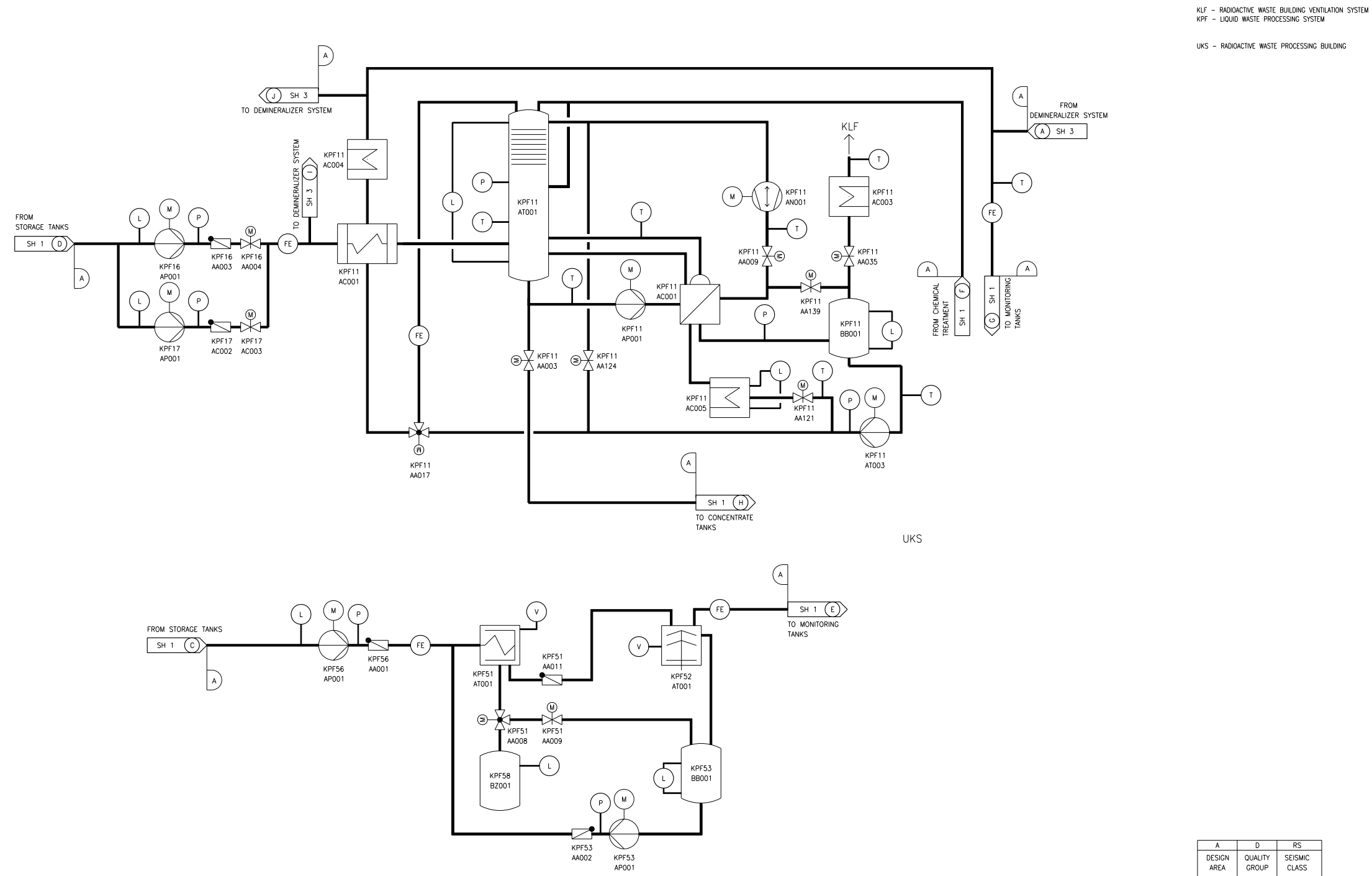


Figure 11.2-1—Liquid Waste Storage System



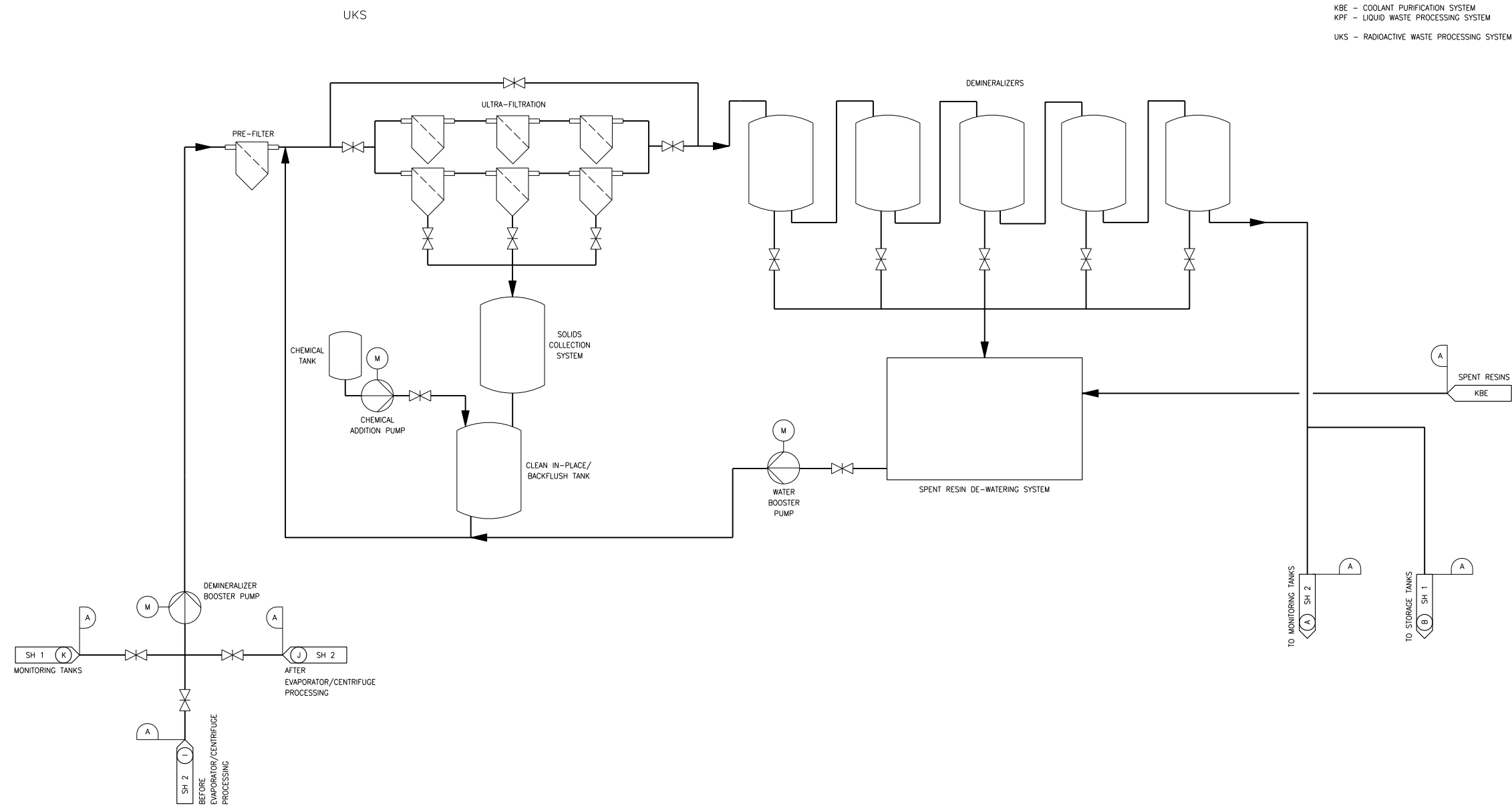
KPF01T2

Figure 11.2-2—Liquid Waste Processing System, Evaporator System



KPF02T2

Figure 11.2-3—Liquid Waste Processing, Demineralizer System



KBE - COOLANT PURIFICATION SYSTEM
 KPF - LIQUID WASTE PROCESSING SYSTEM
 UKS - RADIOACTIVE WASTE PROCESSING SYSTEM

A	D	RS
DESIGN AREA	QUALITY GROUP	SEISMIC CLASS

KPF03T2