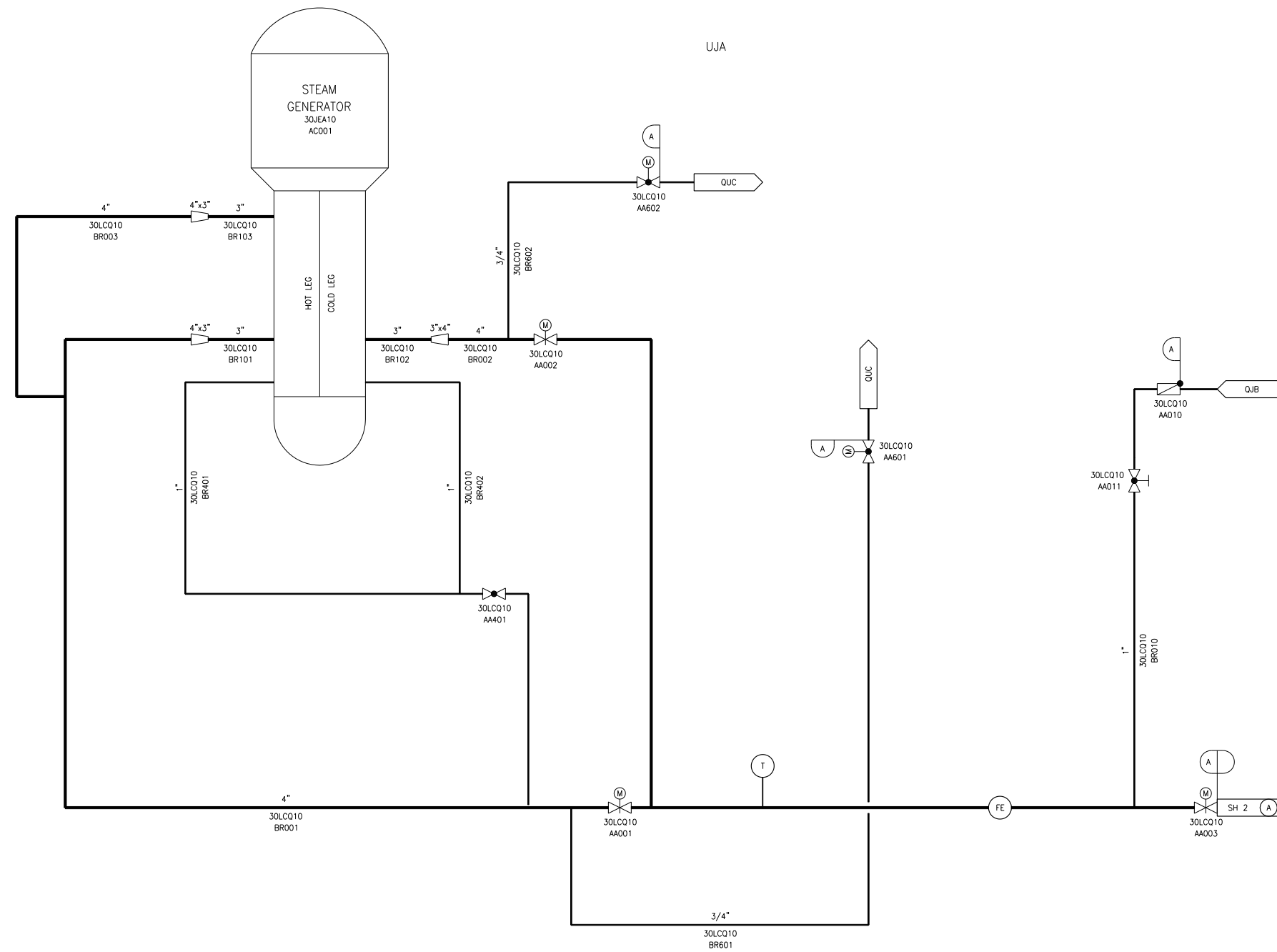


Figure 10.4.8-1—Steam Generator Blowdown System Discharge and Cooling  
Sheet 1 of 3



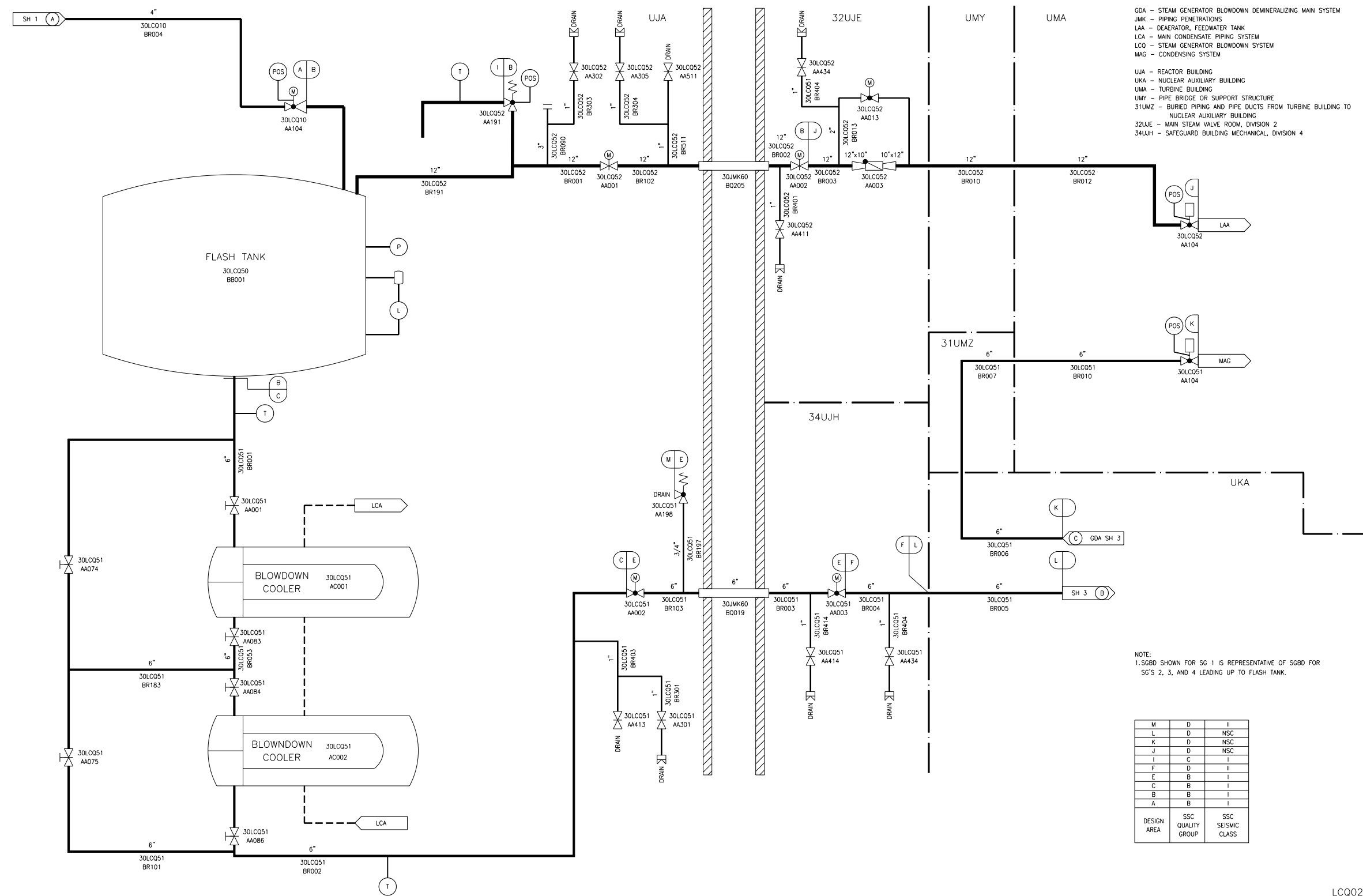
JEA - STEAM GENERATOR  
 LCQ - STEAM GENERATOR BLOWDOWN SYSTEM  
 QJB - NITROGEN (N2) GAS DISTRIBUTION SYSTEM  
 QUC - SAMPLING SYSTEM FOR STEAM GENERATOR BLOWDOWN SYSTEM  
 UJA - REACTOR BUILDING

NOTE:  
 1. SGBD SHOWN FOR SG 1 IS REPRESENTATIVE OF SGBD FOR  
 SG'S 2, 3, AND 4.

A	B	I
DESIGN AREA	SSC QUALITY GROUP	SSC SEISMIC CLASS

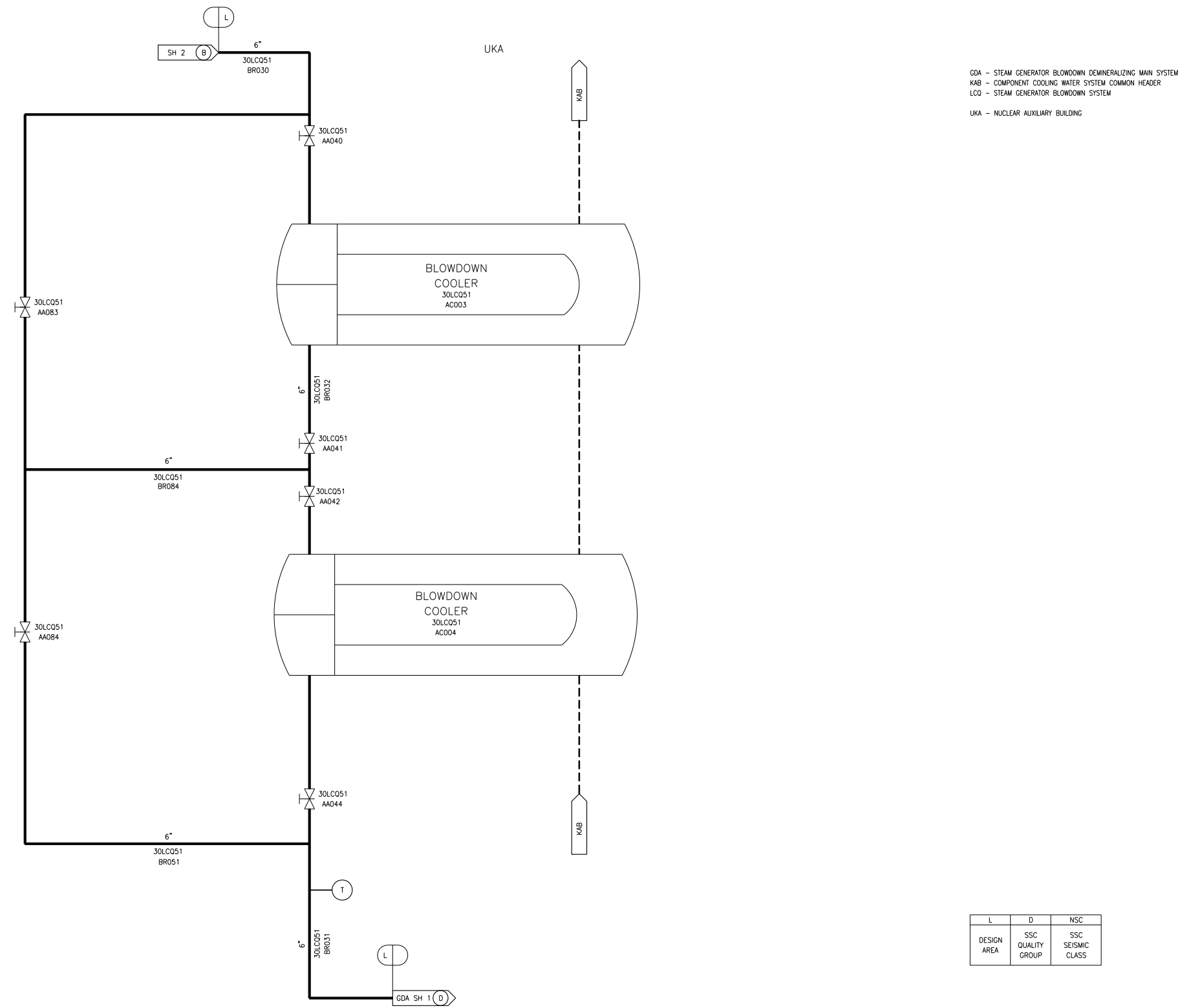
LCQ01T2

Figure 10.4.8-1—Steam Generator Blowdown System Discharge and Cooling  
Sheet 2 of 3



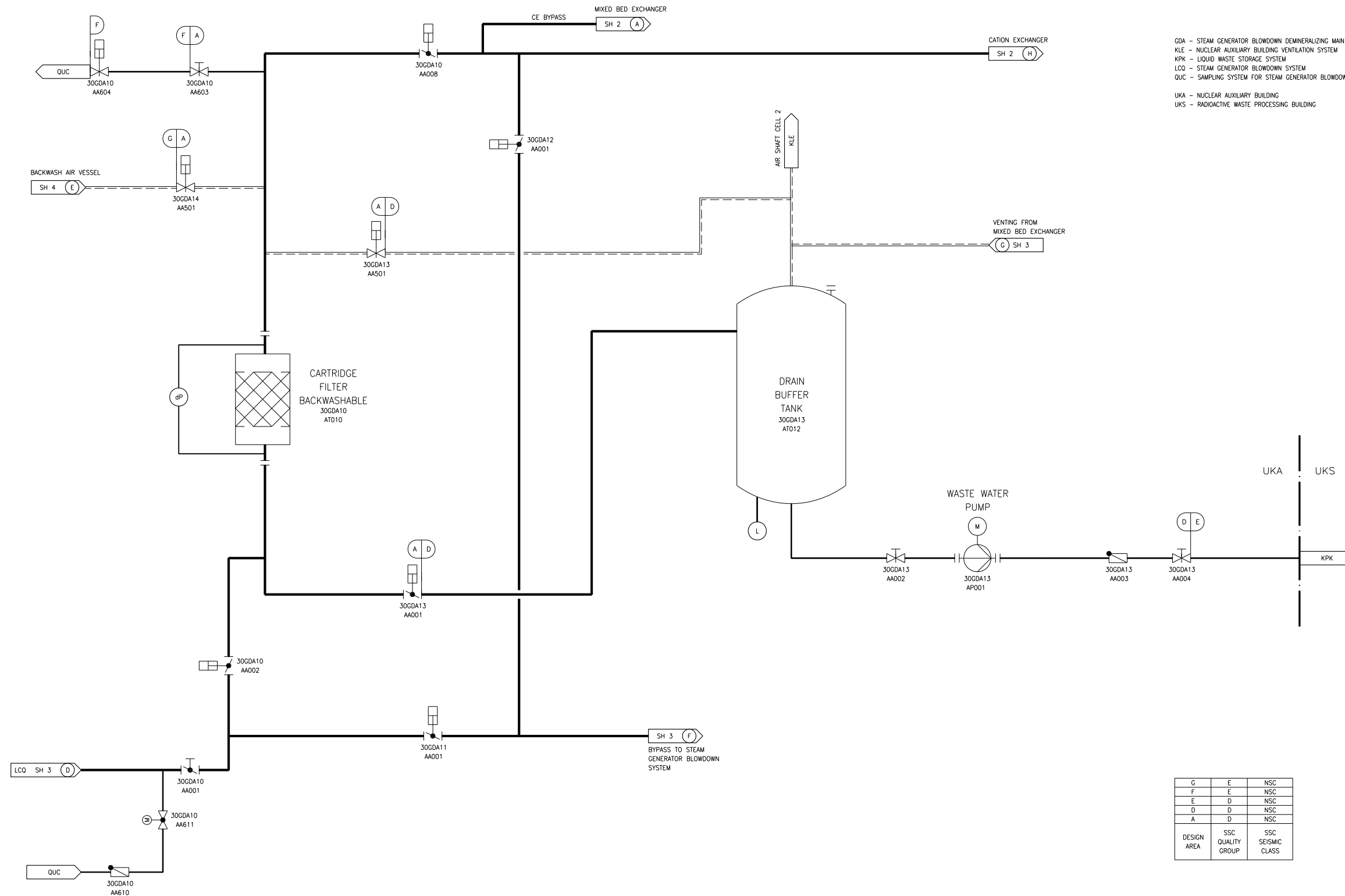
LCQ02T2

Figure 10.4.8-1—Steam Generator Blowdown System Discharge and Cooling  
Sheet 3 of 3



LC003T2

Figure 10.4.8-2—Steam Generator Blowdown System Flow Diagram  
Sheet 1 of 4

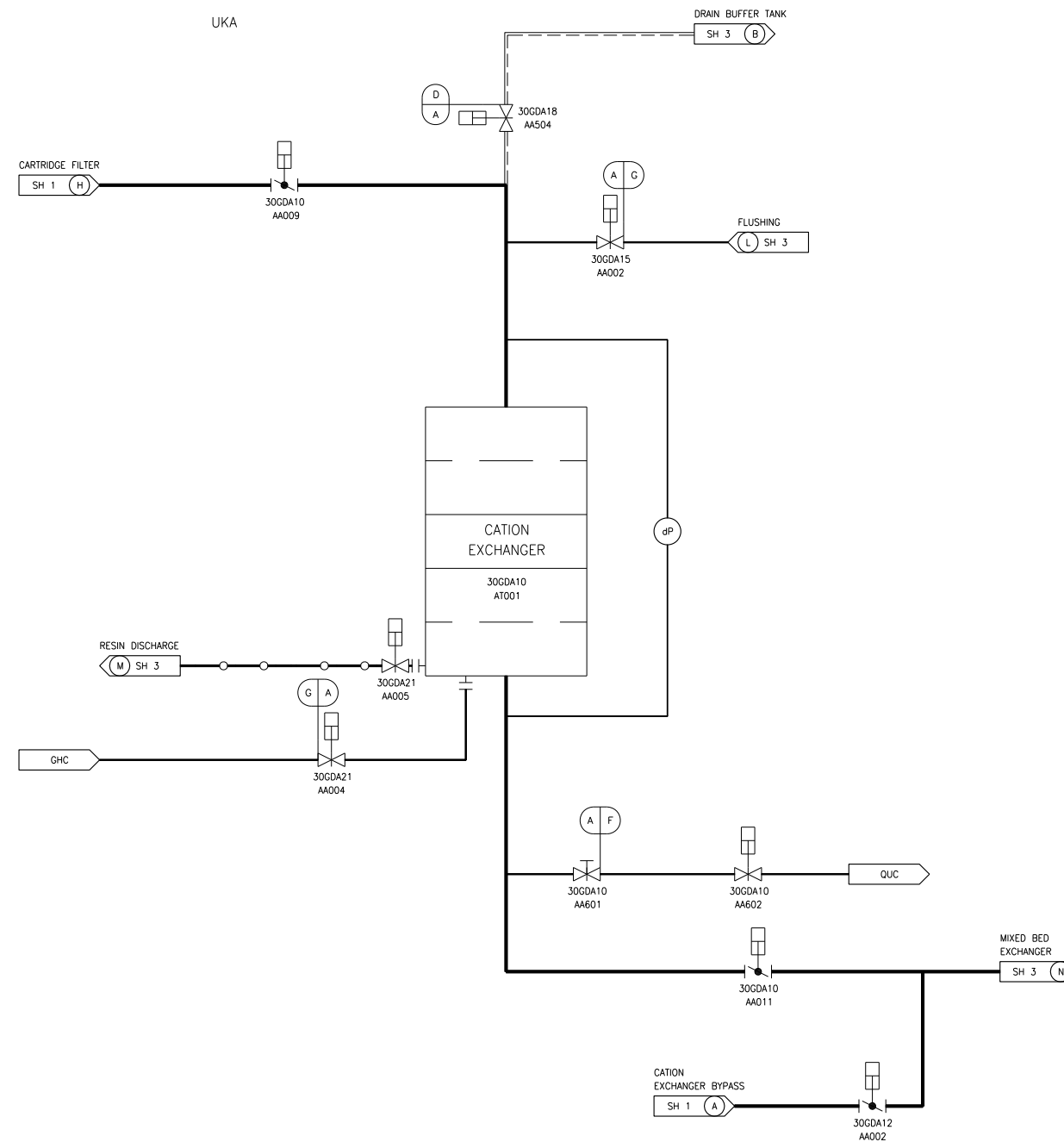


GDA - STEAM GENERATOR BLOWDOWN DEMINERALIZING MAIN SYSTEM  
 KLE - NUCLEAR AUXILIARY BUILDING VENTILATION SYSTEM  
 KPK - LIQUID WASTE STORAGE SYSTEM  
 LCO - STEAM GENERATOR BLOWDOWN SYSTEM  
 QUC - SAMPLING SYSTEM FOR STEAM GENERATOR BLOWDOWN SYSTEM  
 UKA - NUCLEAR AUXILIARY BUILDING  
 UKS - RADIOACTIVE WASTE PROCESSING BUILDING

G	E	NSC
F	E	NSC
E	D	NSC
D	D	NSC
A	D	NSC
DESIGN AREA	SSC QUALITY GROUP	SSC SEISMIC CLASS

GDA01T2

Figure 10.4.8-2—Steam Generator Blowdown System Flow Diagram  
Sheet 2 of 4

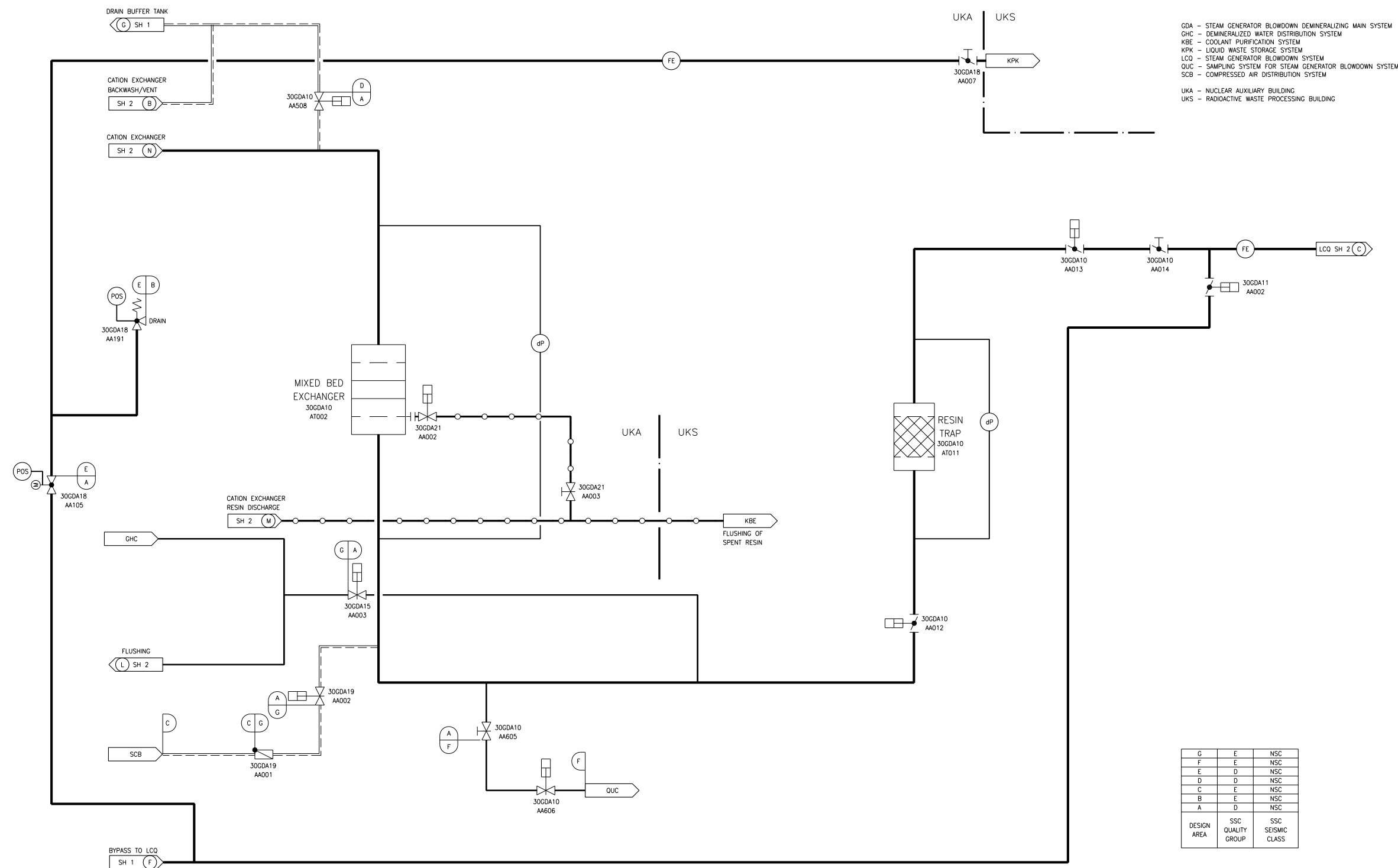


GDA - STEAM GENERATOR BLOWDOWN DEMINERALIZING MAIN SYSTEM  
 GHC - DEMINERALIZED WATER DISTRIBUTION SYSTEM  
 QUC - SAMPLING SYSTEM FOR STEAM GENERATOR BLOWDOWN SYSTEM  
 UKA - NUCLEAR AUXILIARY BUILDING

G	E	NSC
F	E	NSC
D	D	NSC
A	D	NSC
DESIGN AREA	SSC QUALITY GROUP	SSC SEISMIC CLASS

GDA02T2

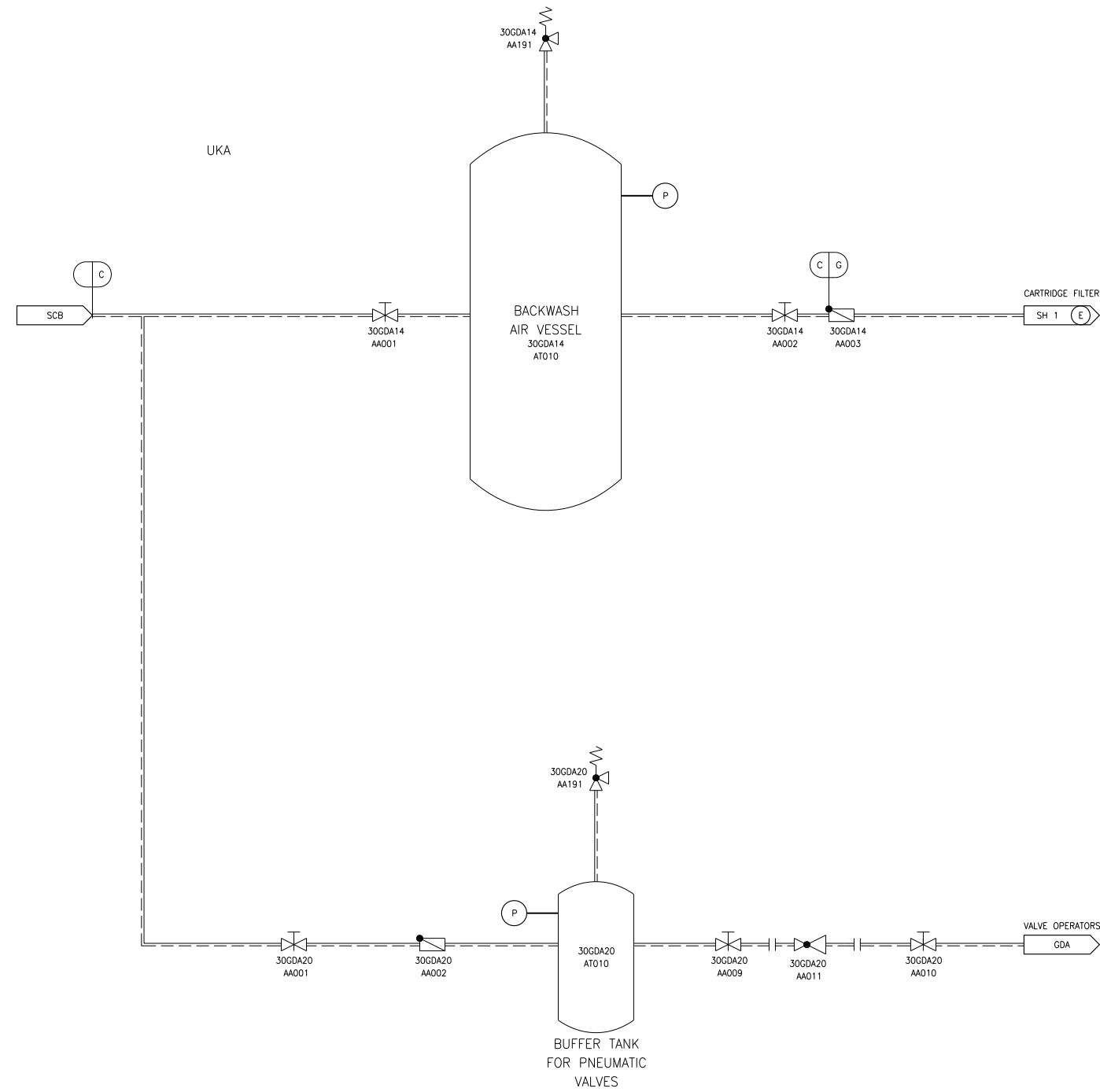
Figure 10.4.8-2—Steam Generator Blowdown System Flow Diagram  
Sheet 3 of 4



G	E	NSC
F	E	NSC
E	D	NSC
D	D	NSC
C	E	NSC
B	E	NSC
A	D	NSC
DESIGN AREA	SSC QUALITY GROUP	SSC SEISMIC CLASS

GDA03T2

Figure 10.4.8-2—Steam Generator Blowdown System Flow Diagram  
Sheet 4 of 4



GDA - STEAM GENERATOR BLOWDOWN DEMINERALIZING MAIN SYSTEM  
SCB - COMPRESSED AIR DISTRIBUTION SYSTEM  
UKA - NUCLEAR AUXILIARY BUILDING

G	E	NSC
C	E	NSC
DESIGN AREA	SSC QUALITY GROUP	SSC SEISMIC CLASS

GDA04T2