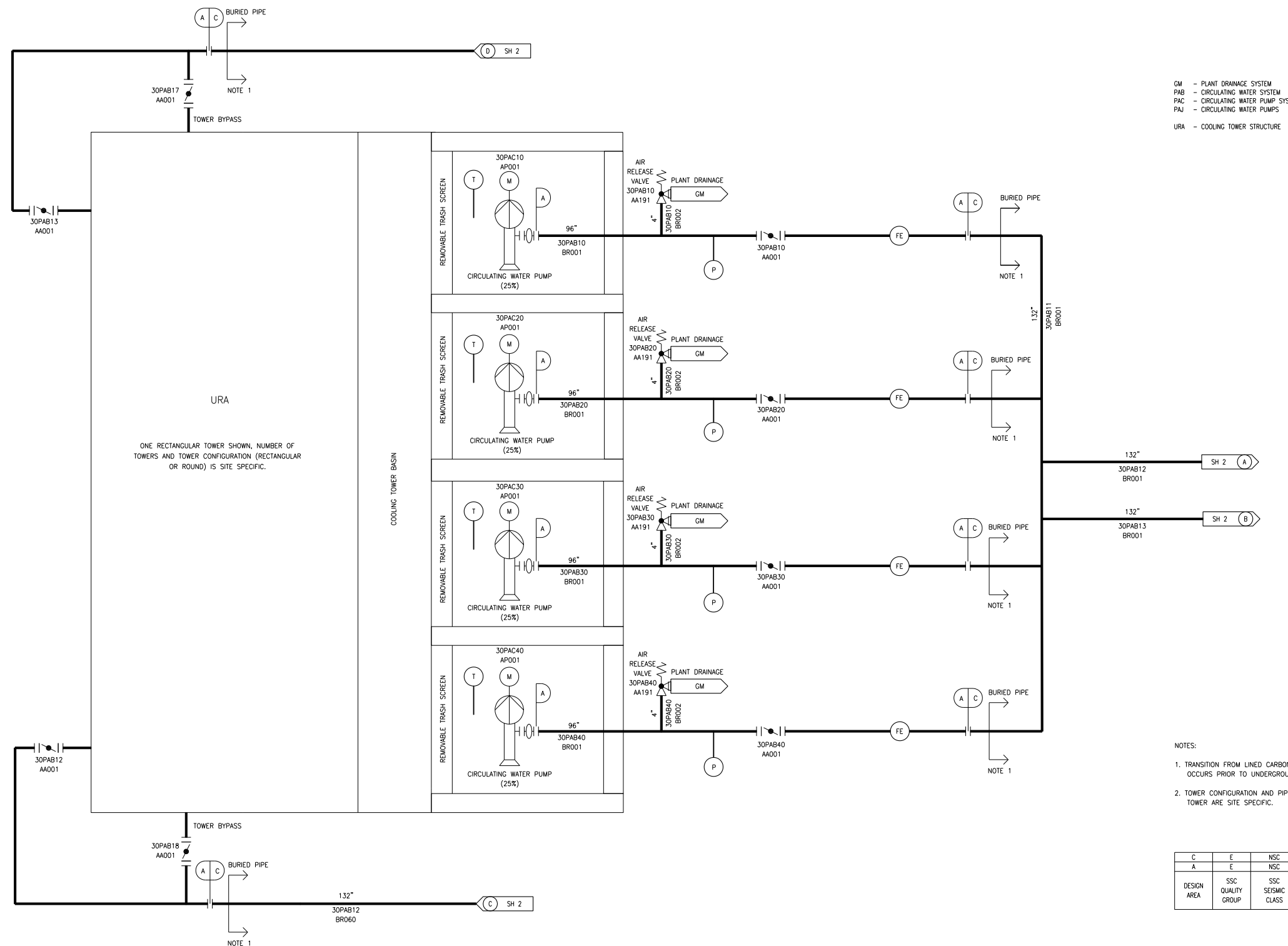
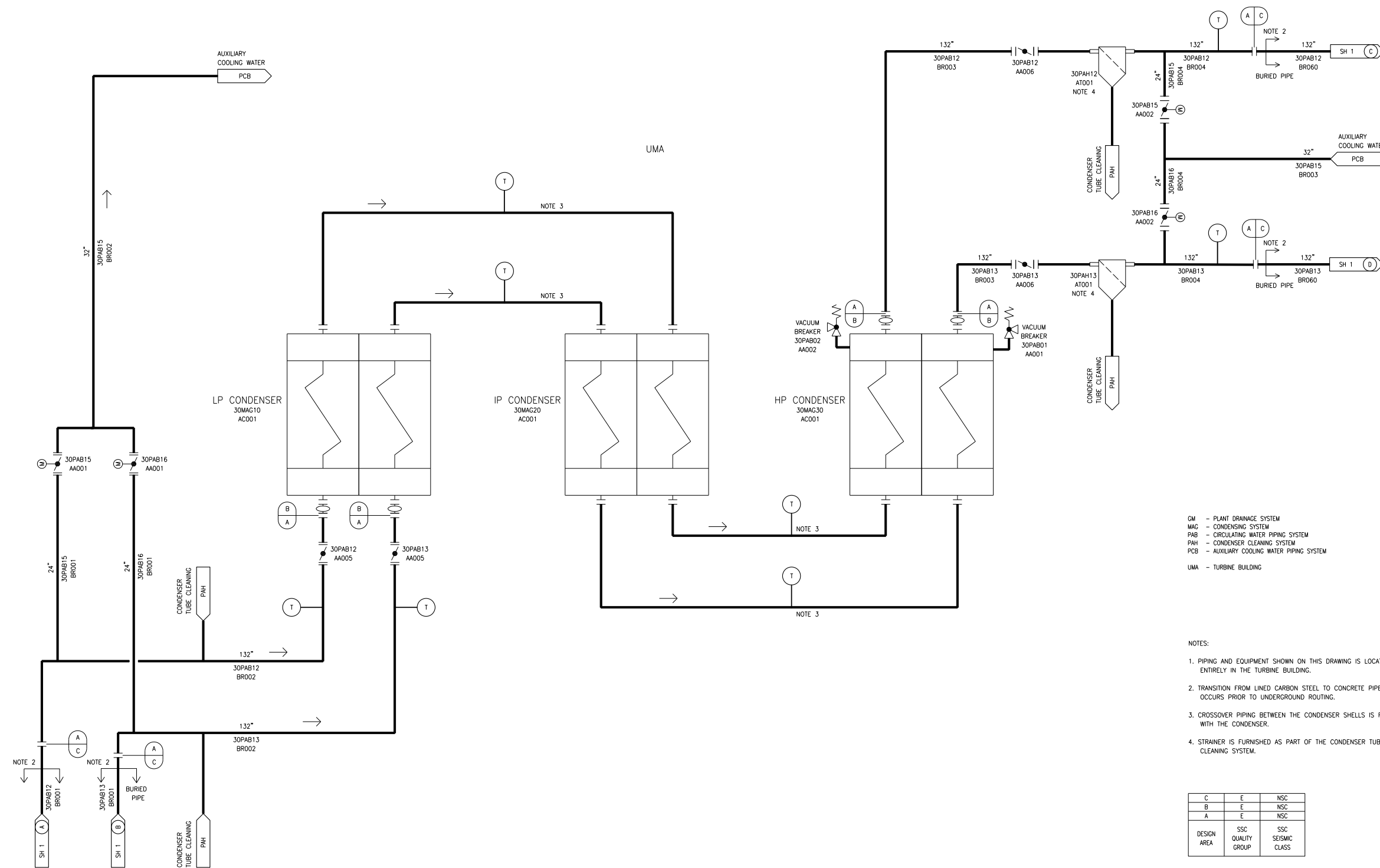


Figure 10.4.5-1—Circulating Water Supply System
Sheet 1 of 2



PAB01T2

Figure 10.4.5-1—Circulating Water Supply System
Sheet 2 of 2



PAB02T2