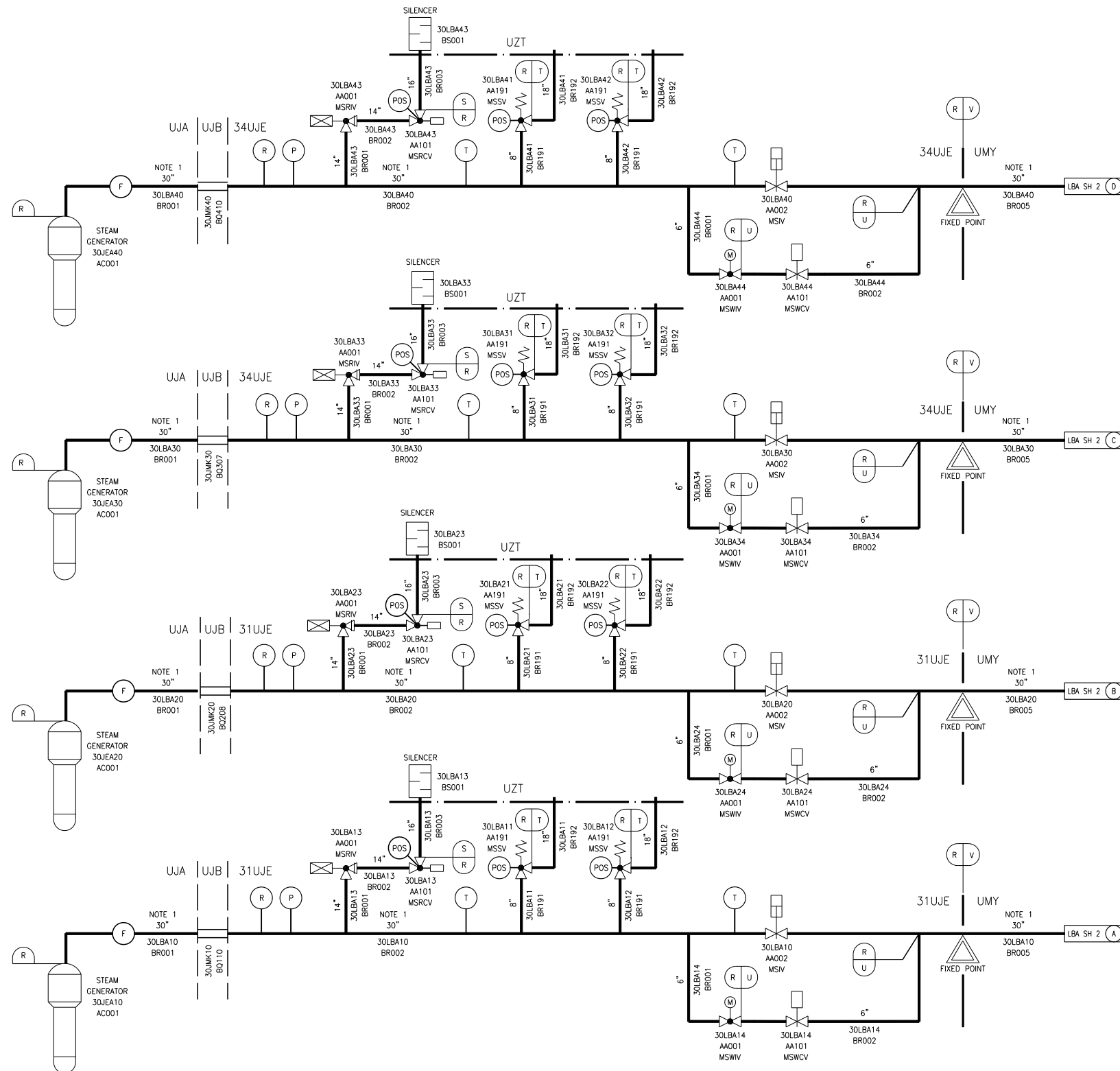


Figure 10.3-1—Main Steam Supply System
Sheet 1 of 2



JEA - STEAM GENERATOR
 JMK - PIPING PENETRATIONS
 LBA - MAIN STEAM PIPING SYSTEM

 UJA - REACTOR BUILDING
 UJB - REACTOR BUILDING ANNULUS
 31UJE - MAIN STEAM AND FEEDWATER VALVE ROOM, DIVISION 1
 34UJE - MAIN STEAM AND FEEDWATER VALVE ROOM, DIVISION 4
 UMY - PIPE BRIDGE
 UZT - OUTDOOR AREA

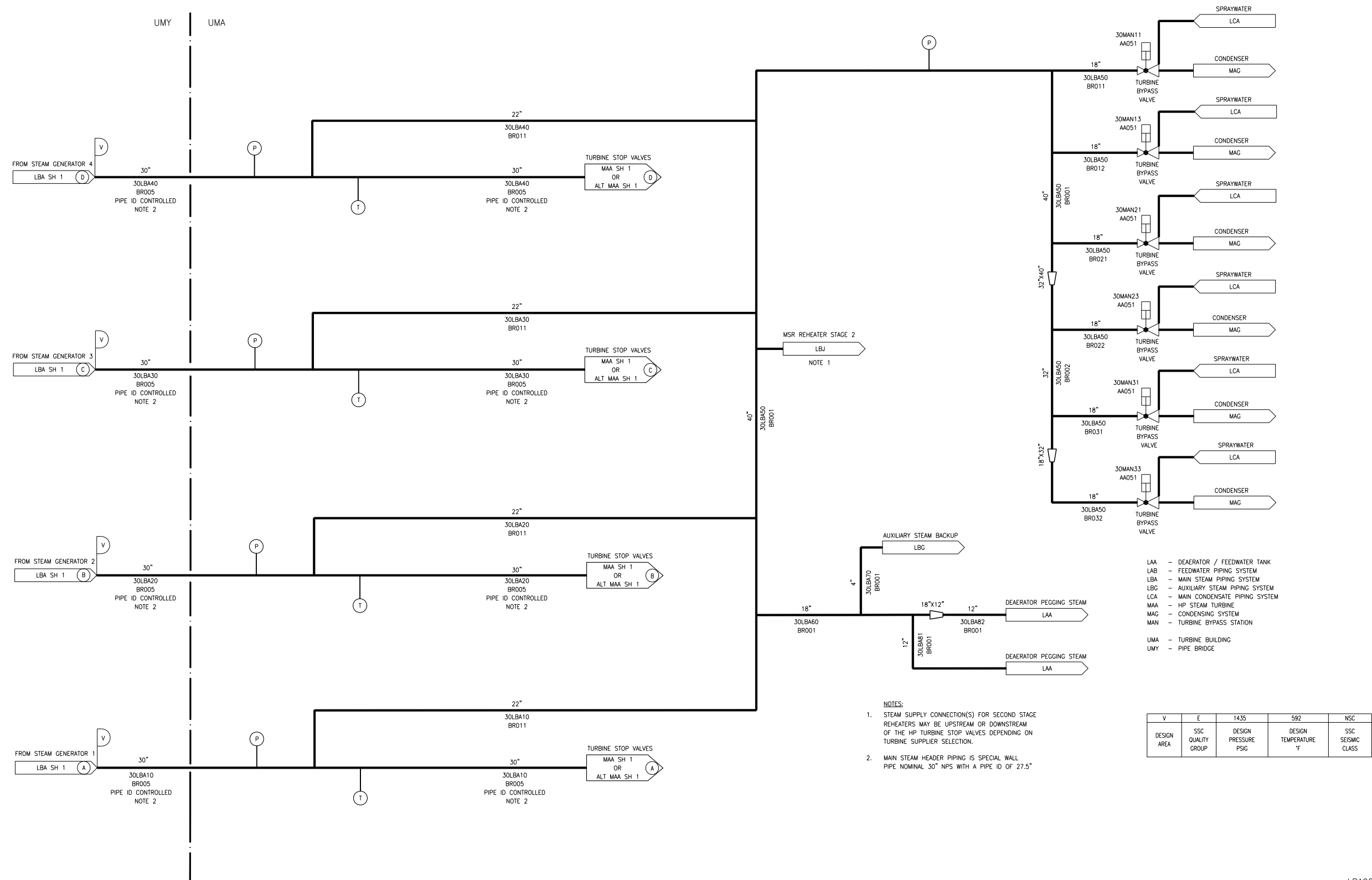
MSIV - MAIN STEAM ISOLATION VALVE
 MSRCV - MAIN STEAM RELIEF CONTROL VALVE
 MSRV - MAIN STEAM RELIEF ISOLATION VALVE
 MSSV - MAIN STEAM SAFETY VALVE
 MSWCV - MAIN STEAM WARMING CONTROL VALVE
 MSWIV - MAIN STEAM WARMING ISOLATION VALVE

NOTE:
 1. MAIN STEAM HEADER PIPING IS SPECIAL WALL PIPE,
 NOMINAL 30" NPS WITH A PIPE ID OF 27.5".

V	E	1435	592	NSC
U	C	1435	592	I
T	C	250	420	I
S	C	1095	600	I
R	B	1435	592	I
DESIGN AREA	SSC QUALITY GROUP	DESIGN PRESSURE PSIG	DESIGN TEMPERATURE °F	SSC SEISMIC CLASS

LBA01T2

Figure 10.3-1—Main Steam Supply System
Sheet 2 of 2



LBA02T2

Figure 10.3-2—Main Steam Isolation and Main Steam Relief Isolation Valve Actuators

