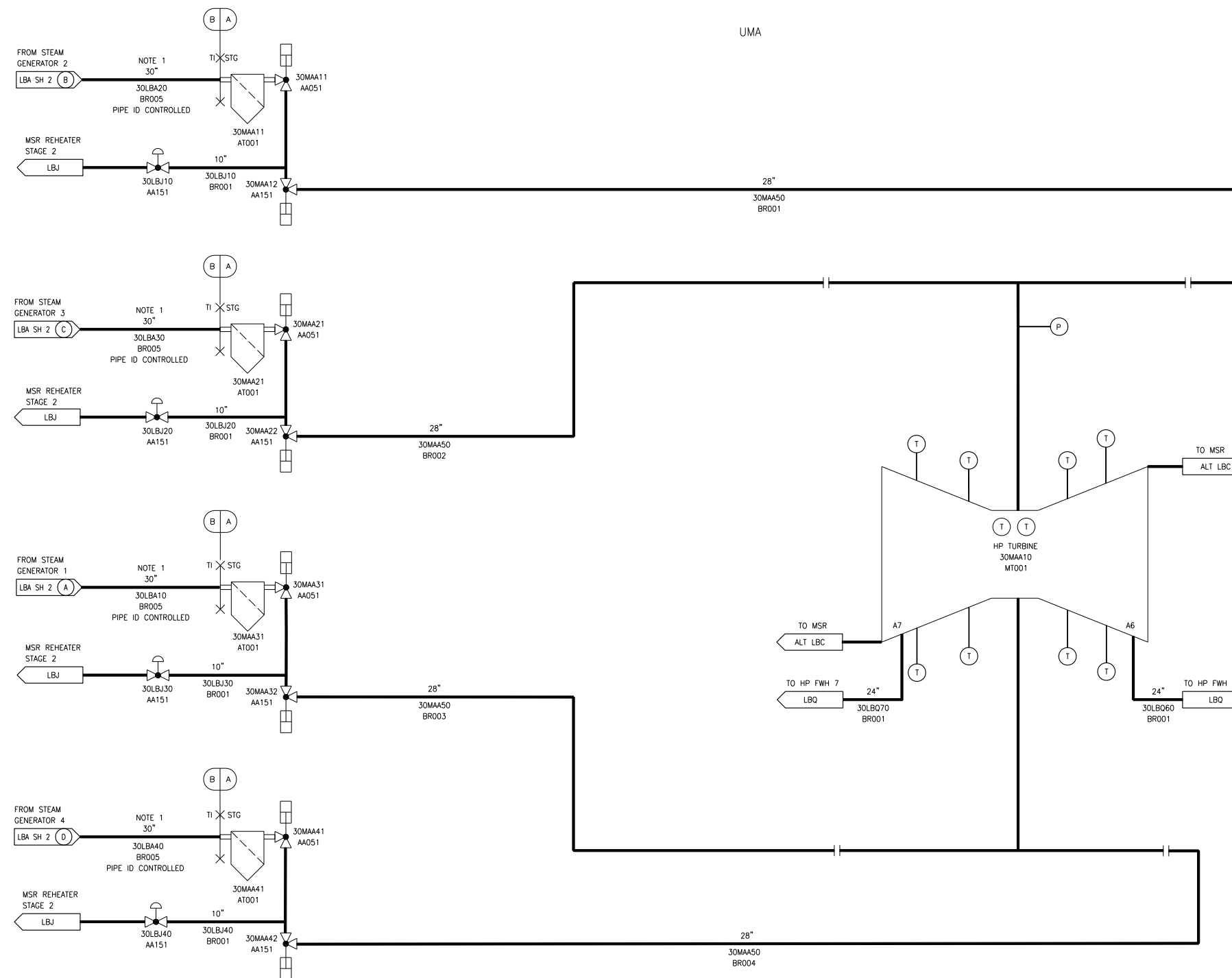


Figure 10.2A-1—Turbine-Generator System
Sheet 1 of 2



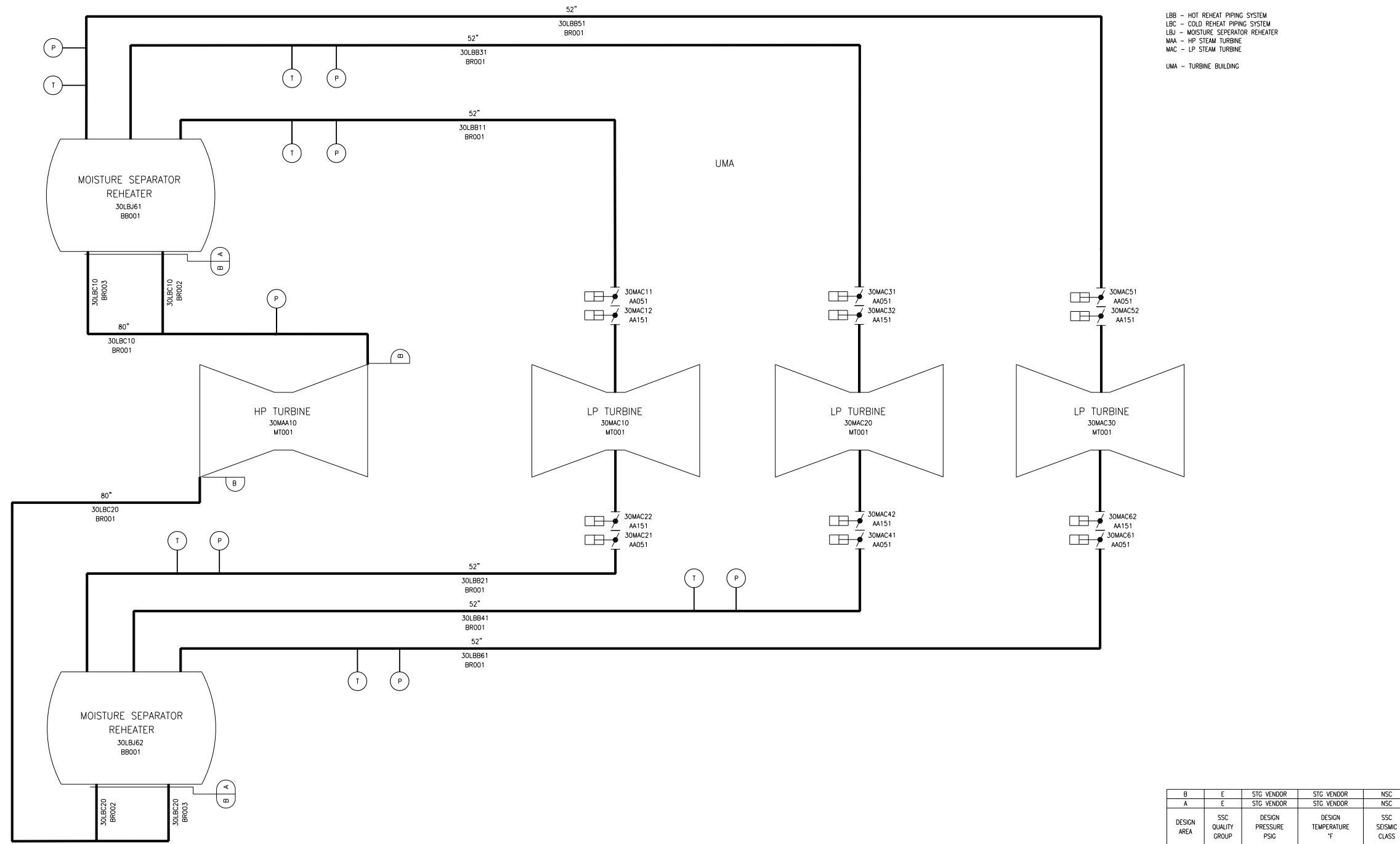
LBA - MAIN STEAM PIPING SYSTEM
 LBC - COLD REHEAT PIPING SYSTEM
 LBJ - MOISTURE SEPARATOR/REHEATER
 LBO - EXTRACTION STEAM PIPING SYSTEM FOR HP FEEDWATER HEATING
 MAA - HP STEAM TURBINE
 UMA - TURBINE BUILDING

NOTE:
 1. MAIN STEAM HEADER PIPING IS SPECIAL WALL PIPE NOMINAL 30" NPS WITH A PIPE ID OF 27.5"

B	E	1435	592	NSC
A	E	STG VENDOR	STG VENDOR	NSC
DESIGN AREA	SSC QUALITY GROUP	DESIGN PRESSURE PSIG	DESIGN TEMPERATURE °F	SSC SEISMIC CLASS

ALT MAA01T2

Figure 10.2A-1—Turbine-Generator System
Sheet 2 of 2



ALT LBC01T2