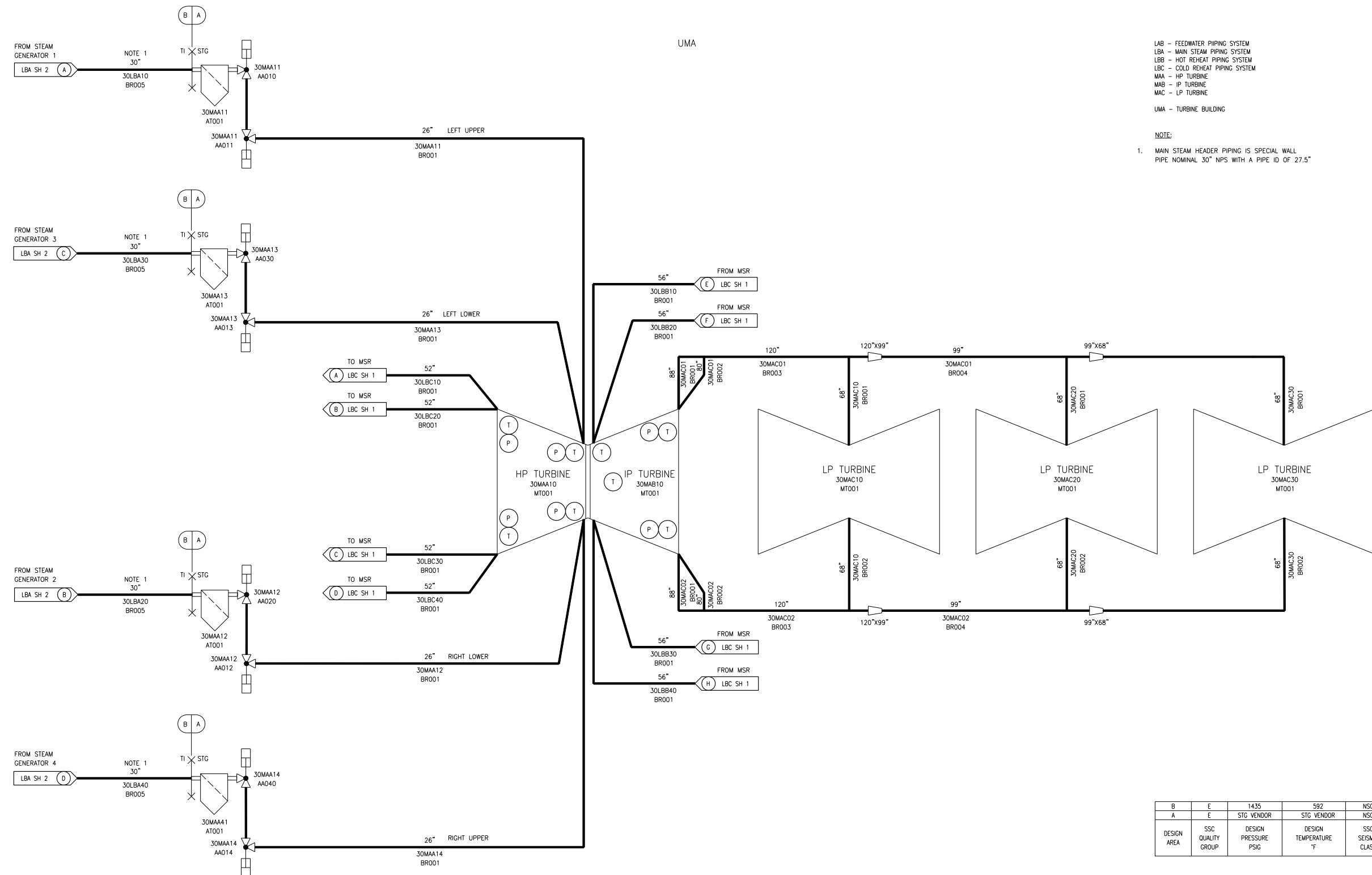
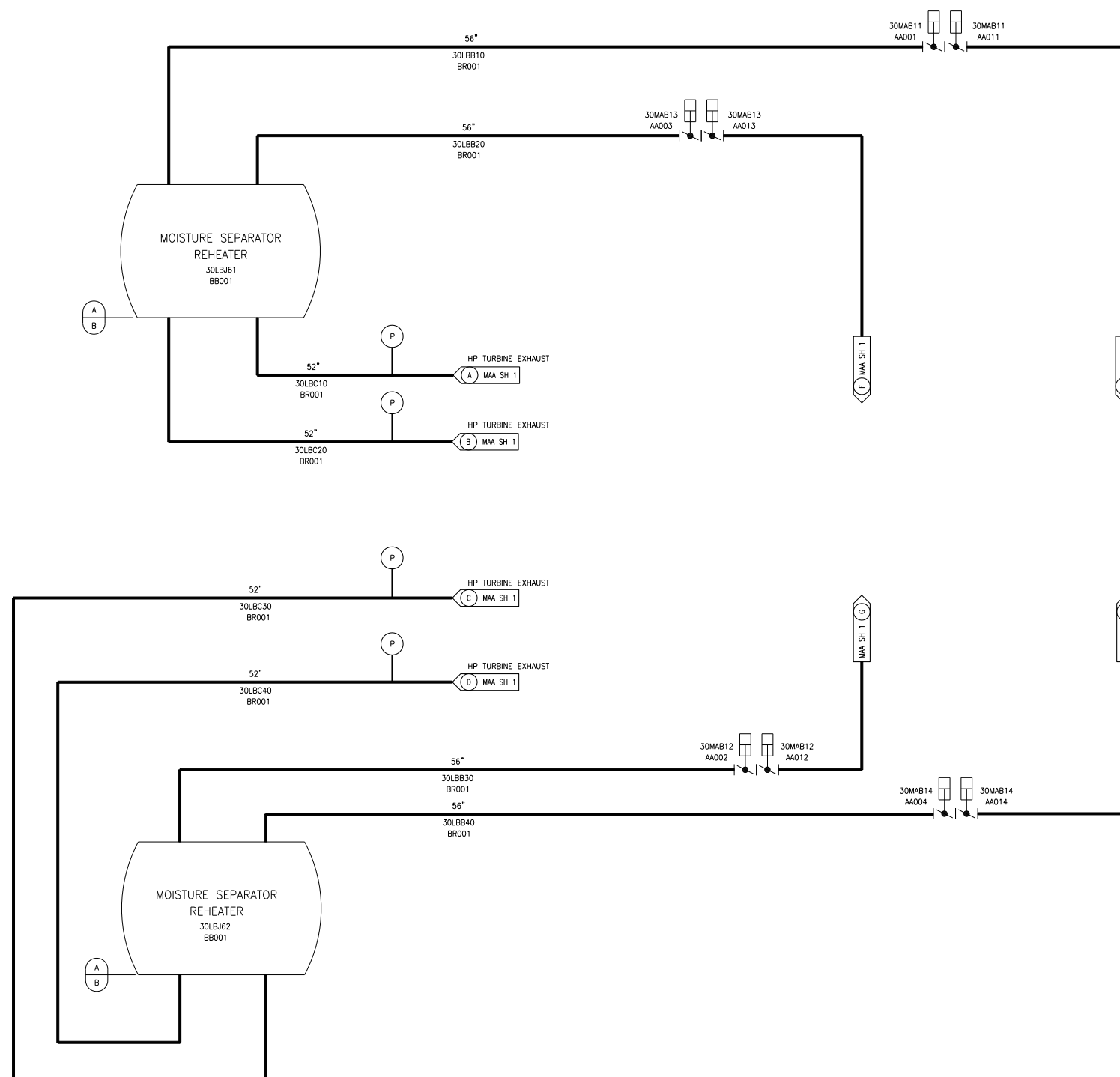


Figure 10.2-1—Turbine Generator System  
Sheet 1 of 2



MAA01T2

Figure 10.2-1—Turbine Generator System  
Sheet 2 of 2



LBB - HOT REHEAT PIPING SYSTEM  
LBC - COLD REHEAT PIPING SYSTEM  
LBJ - MOISTURE SEPARATOR REHEATER  
UMA - TURBINE BUILDING

|             |                   |                      |                       |                   |
|-------------|-------------------|----------------------|-----------------------|-------------------|
| B           | E                 | STG VENDOR           | STG VENDOR            | NSC               |
| A           | E                 | STG VENDOR           | STG VENDOR            | NSC               |
| DESIGN AREA | SSC QUALITY GROUP | DESIGN PRESSURE PSIG | DESIGN TEMPERATURE °F | SSC SEISMIC CLASS |

LBC01T2