

Figure 10.1A-1—Design Heat Balance for Steam and Power Conversion System Cycle

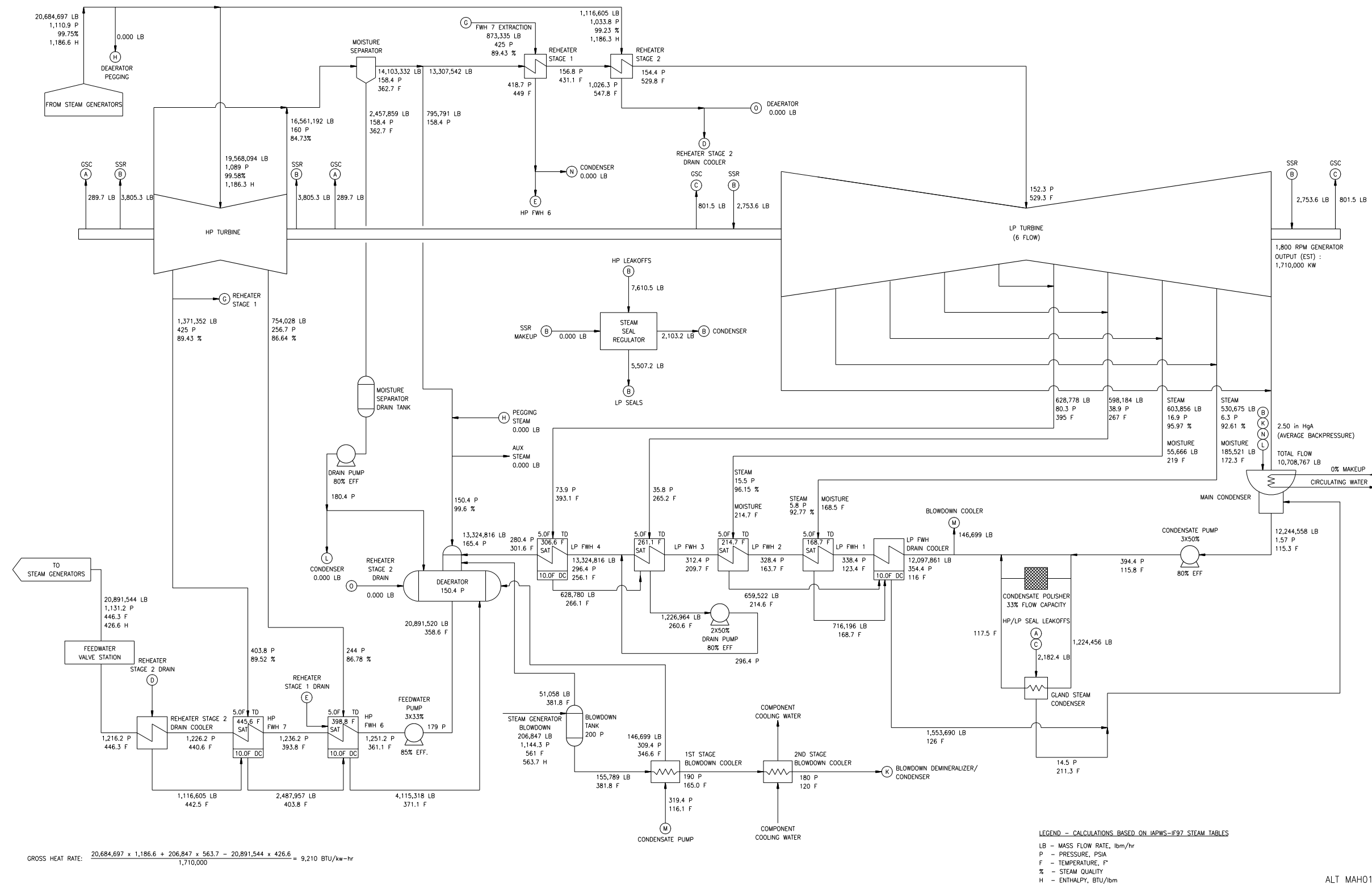
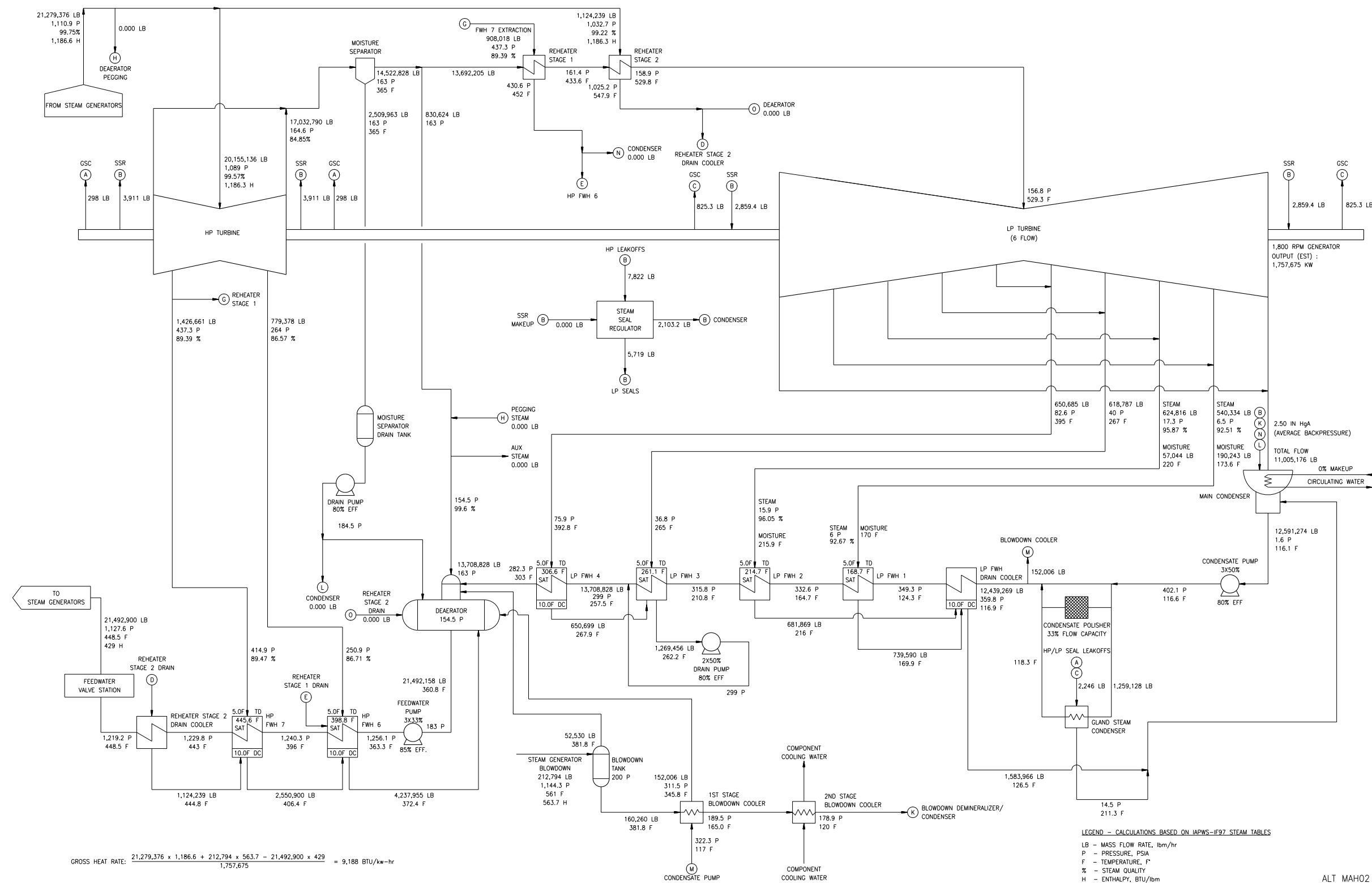


Figure 10.1A-2—Valves Wide Open Heat Balance for Steam and Power Conversion System Cycle



ALT MAH02 T2