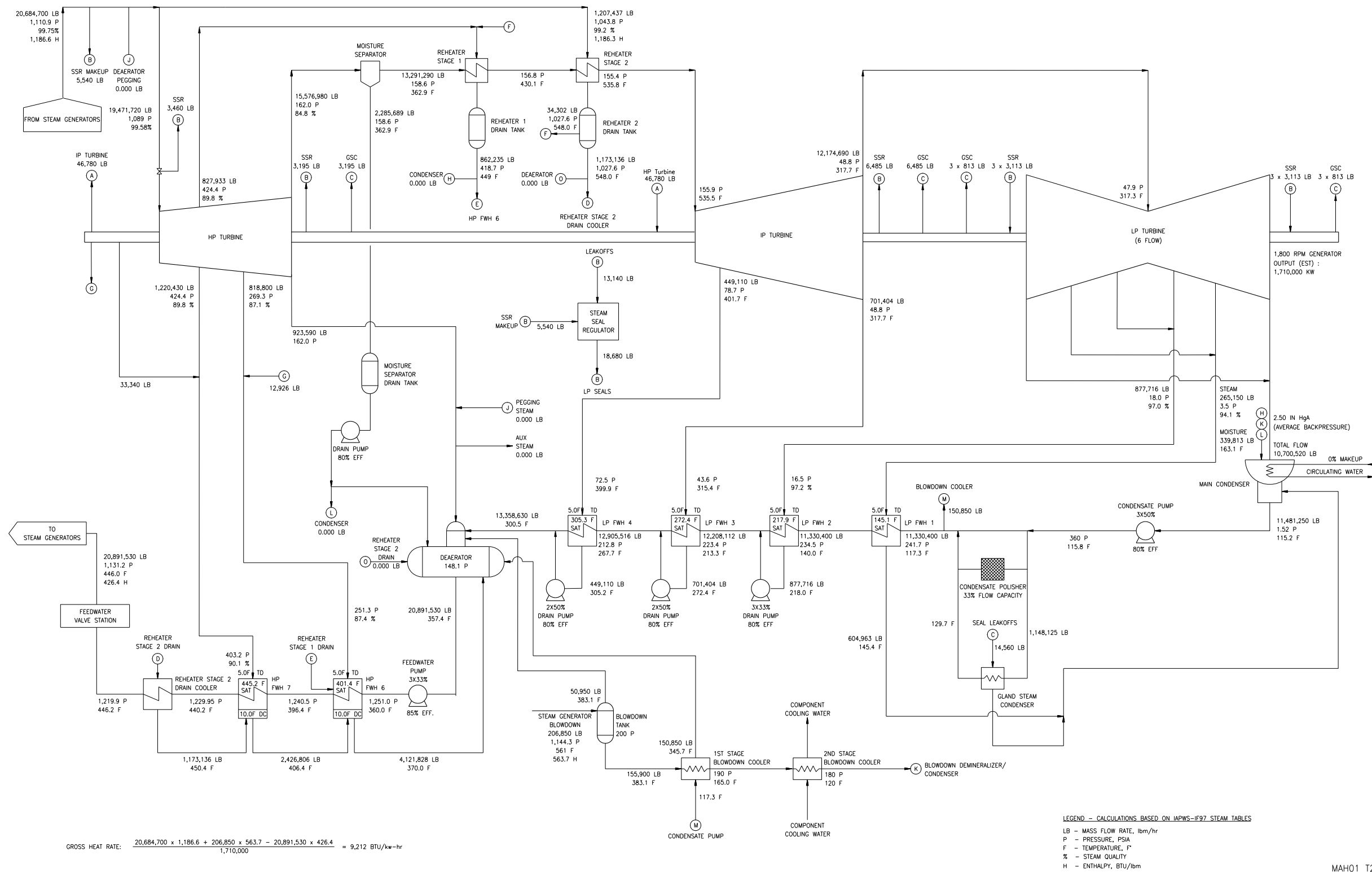
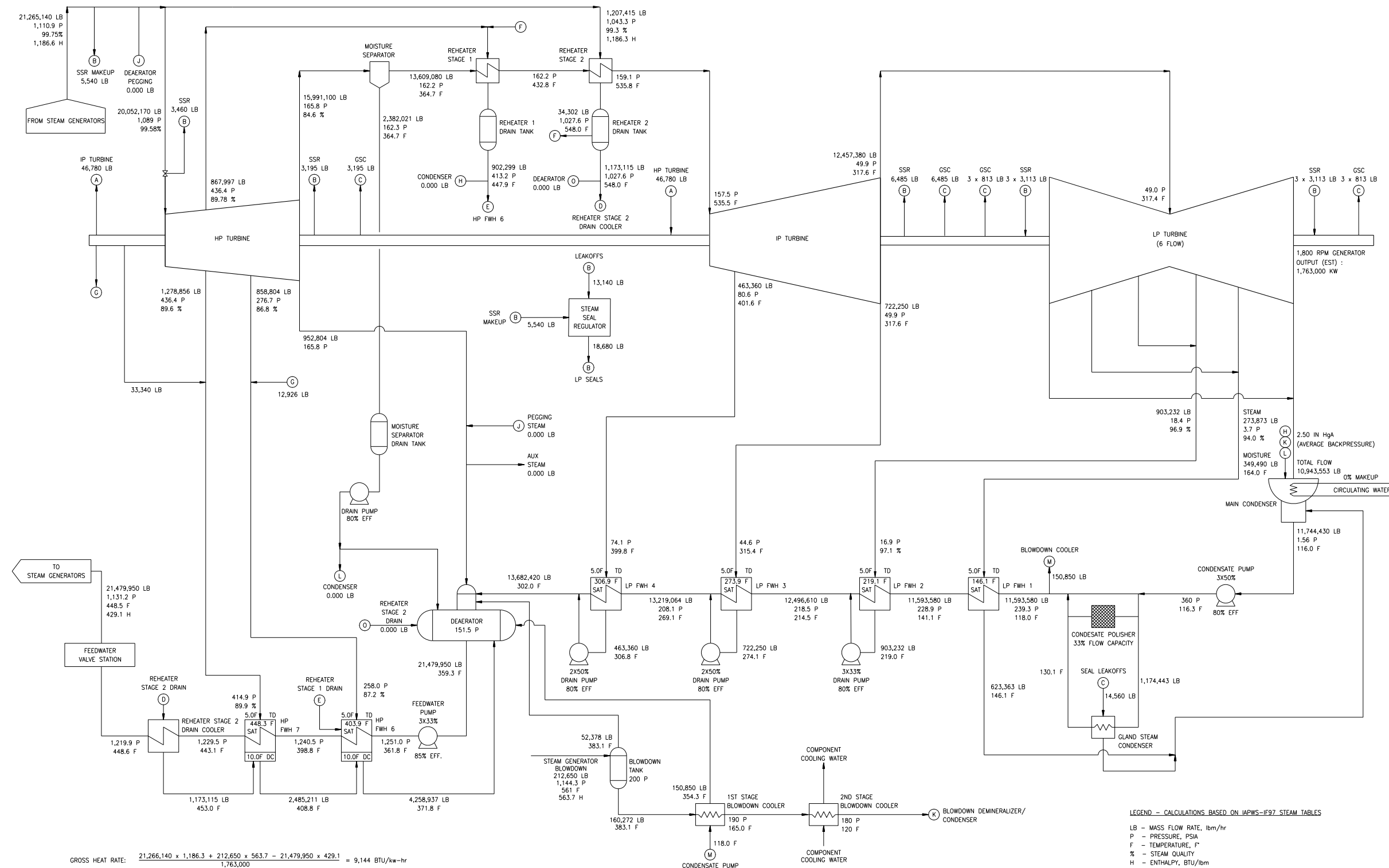


Figure 10.1-1—Design Heat Balance for Steam and Power Conversion System Cycle



MAH01 T2

Figure 10.1-2—Valves Wide Open Heat Balance for Steam and Power Conversion System Cycle



MAH02 T2