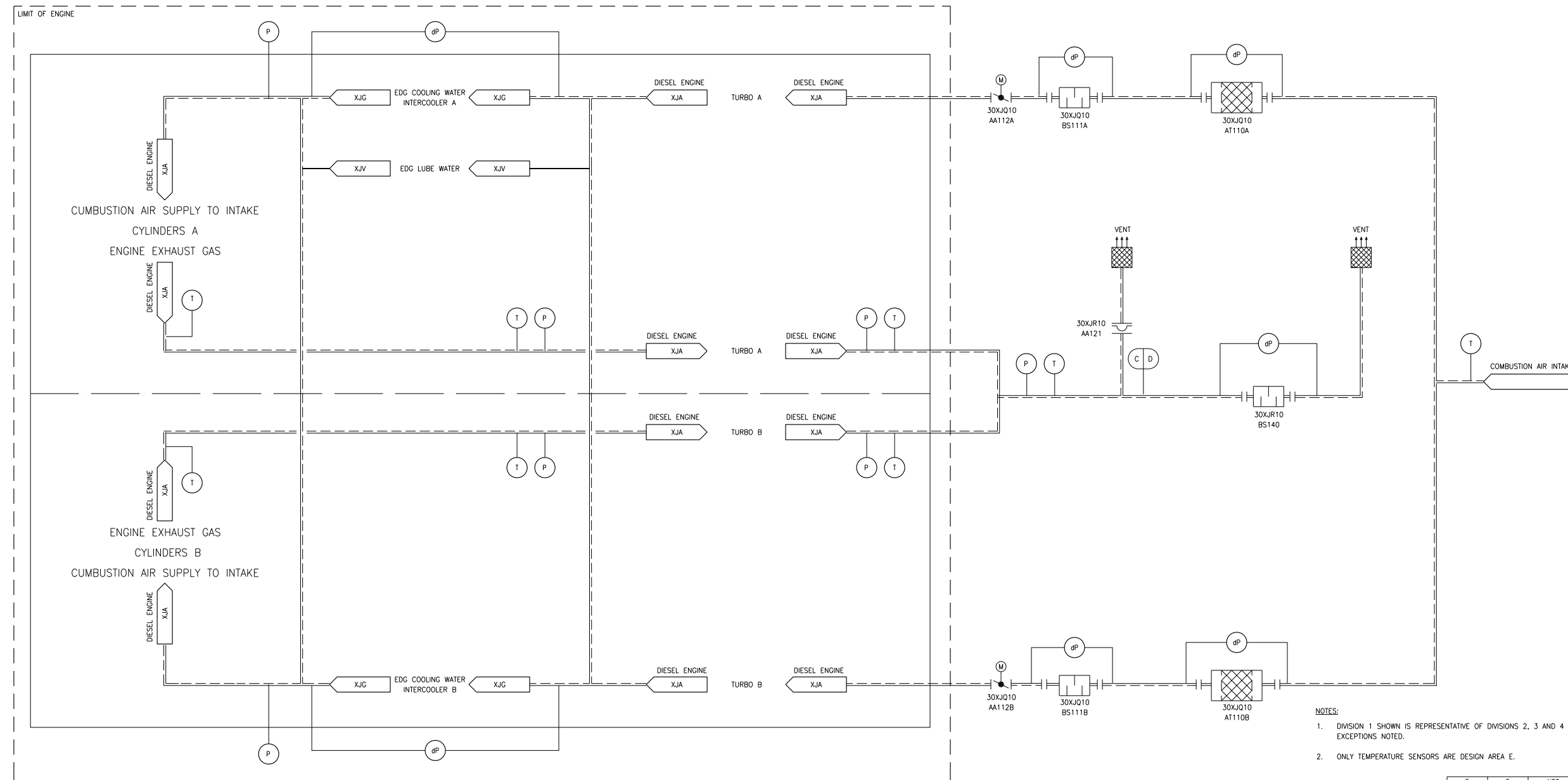


Figure 9.5.8-1—Emergency Diesel Generator Air Intake and Exhaust System

31UBP

XJA - ENGINE
 XJG - EMERGENCY DIESEL LOW TEMPERATURE WATER SYSTEM
 XJQ - EMERGENCY DIESEL EXHAUST GAS AND AIR INTAKE SYSTEM
 XJR - EMERGENCY AIR EXHAUST SYSTEM
 XJV - EMERGENCY DIESEL LUBE OIL SYSTEM
 31UBP - EMERGENCY POWER GENERATING, BUILDING 1



NOTES:
 1. DIVISION 1 SHOWN IS REPRESENTATIVE OF DIVISIONS 2, 3 AND 4 WITH EXCEPTIONS NOTED.
 2. ONLY TEMPERATURE SENSORS ARE DESIGN AREA E.

E	E	NSC
D	D	1 1
C	C	1
DESIGN AREA	SSC QUALITY GROUP	SSC SEISMIC CLASS

XJQ01T2