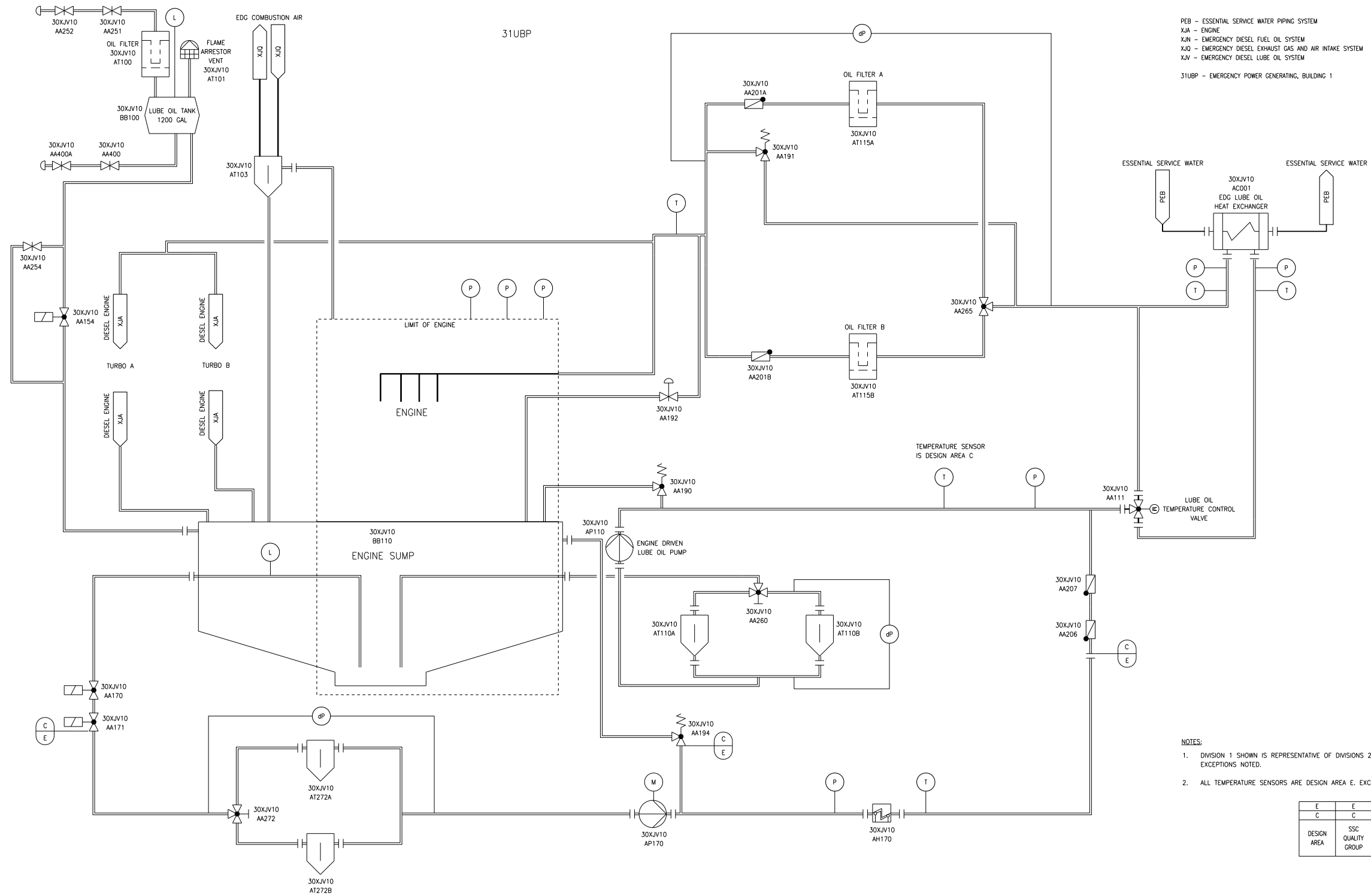


Figure 9.5.7-1—Emergency Diesel Generator Lubricating Oil System



XJV01T2