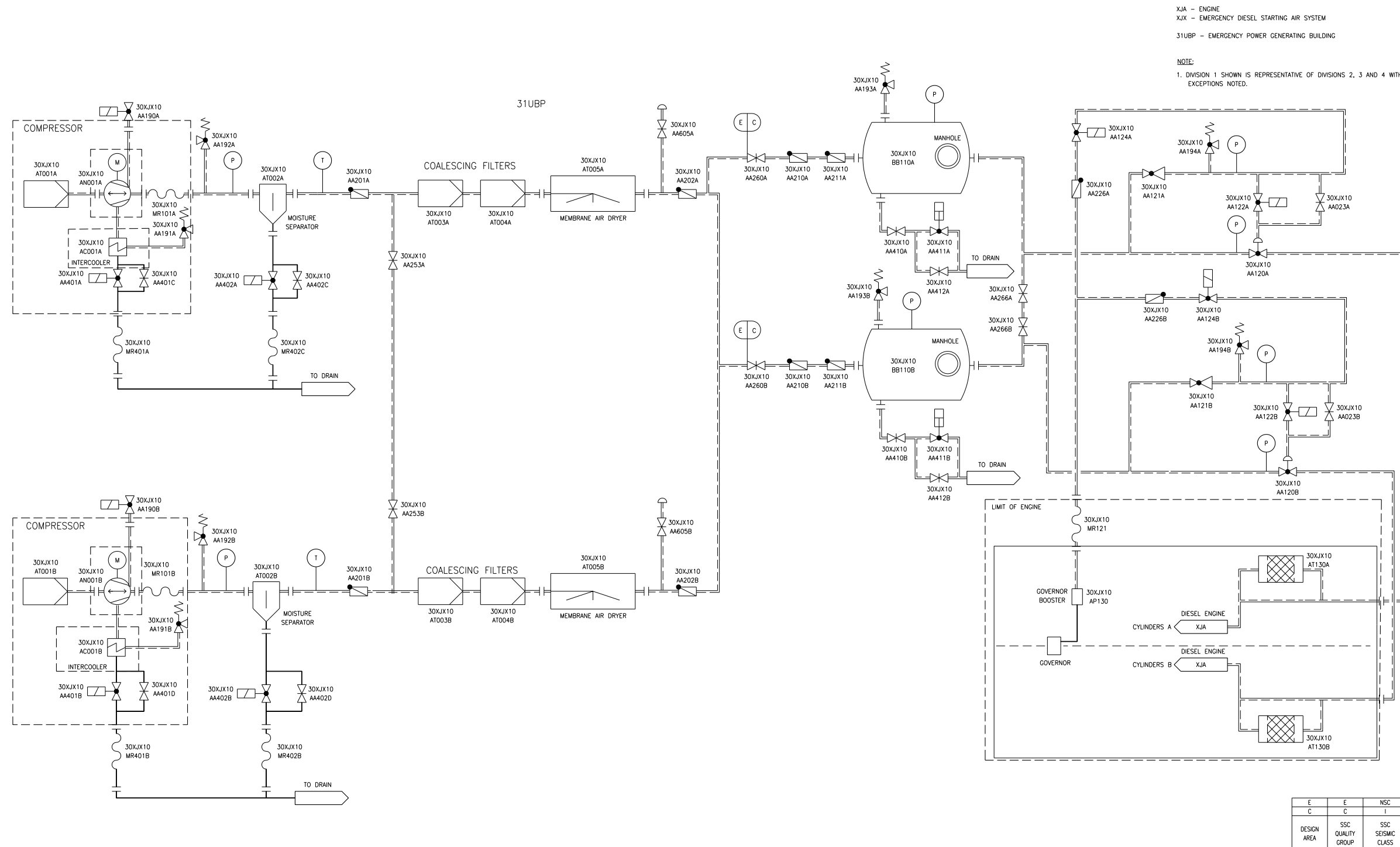


Figure 9.5.6-1—Emergency Diesel Generator Starting Air System



XJX01T2