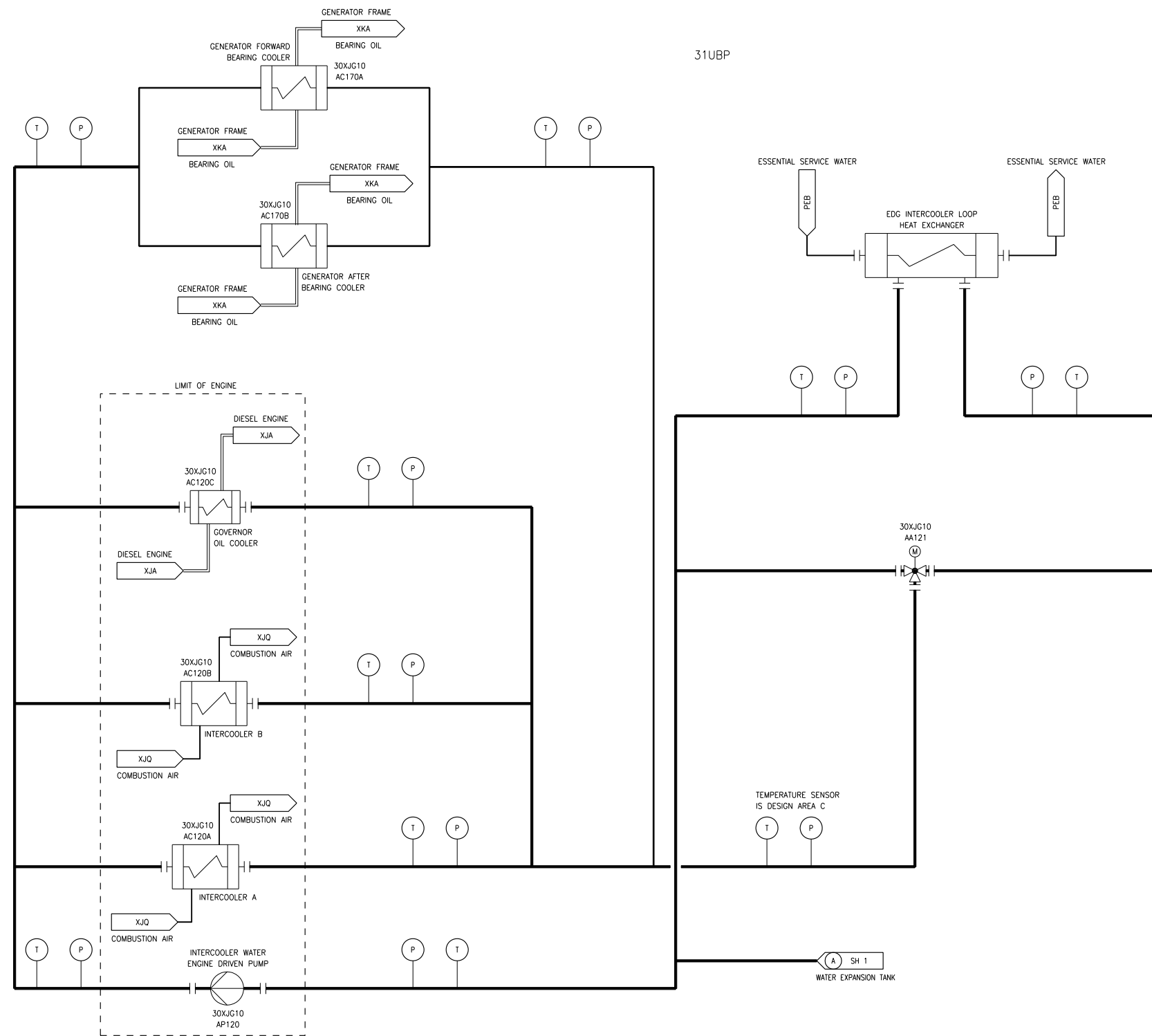


Figure 9.5.5-1—Emergency Diesel Generator Cooling Water System
Sheet 2 of 2



PEB - ESSENTIAL SERVICE WATER PIPING SYSTEM
 XJA - ENGINE
 XJG - EMERGENCY DIESEL LOW TEMPERATURE WATER SYSTEM
 XJQ - EMERGENCY DIESEL EXHAUST GAS AND AIR INTAKE SYSTEM
 XKA - GENERATOR FRAME
 31UBP - EMERGENCY POWER GENERATING BUILDING

- NOTES:
- DIVISION 1 SHOWN IS REPRESENTATIVE OF DIVISIONS 2, 3 AND 4 WITH EXCEPTIONS NOTED.
 - ONLY TEMPERATURE SENSORS ARE DESIGN AREA E. EXCEPTIONS ARE NOTED.

E	E	NSC
C	C	I
DESIGN AREA	SSC QUALITY GROUP	SSC SEISMIC CLASS

XJG02T2