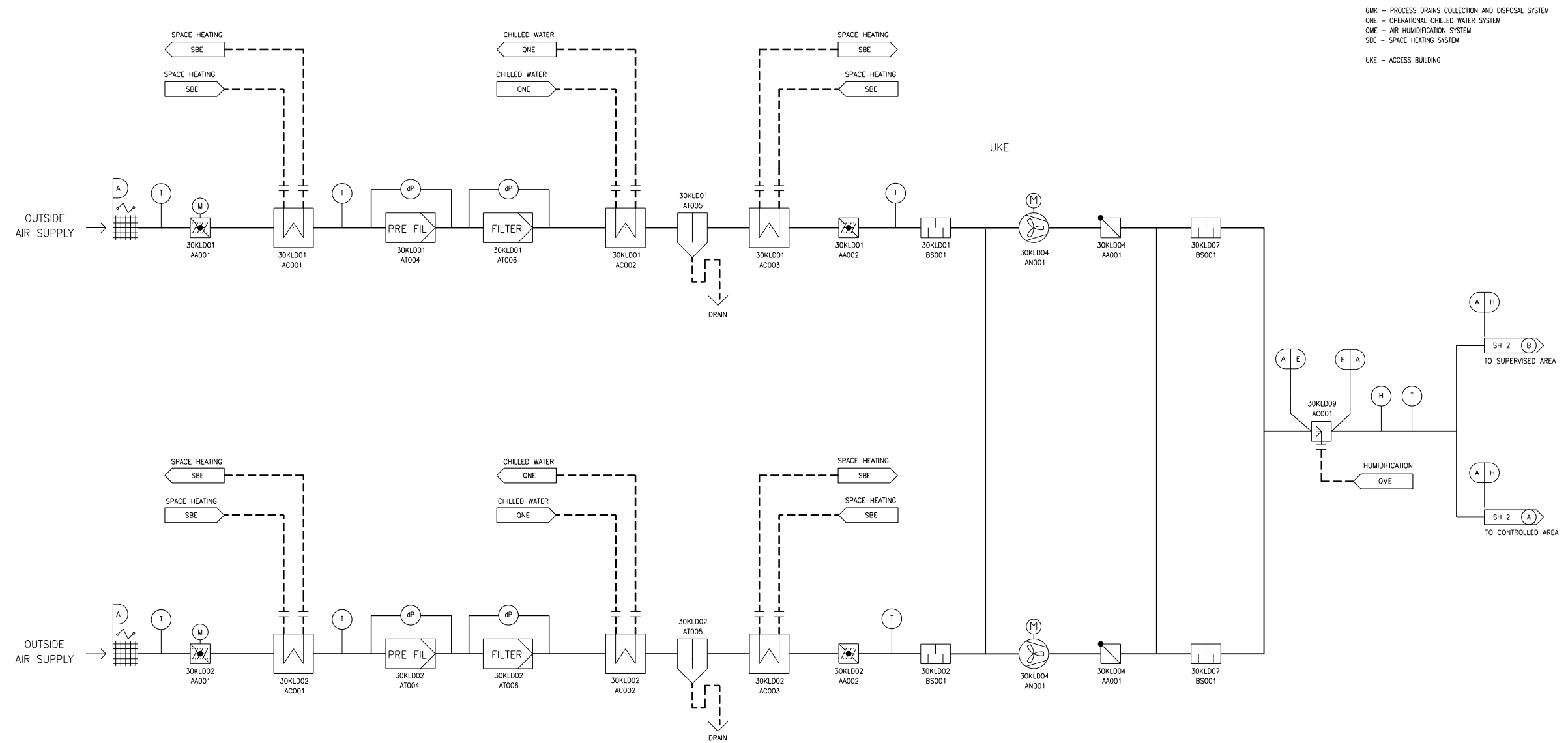


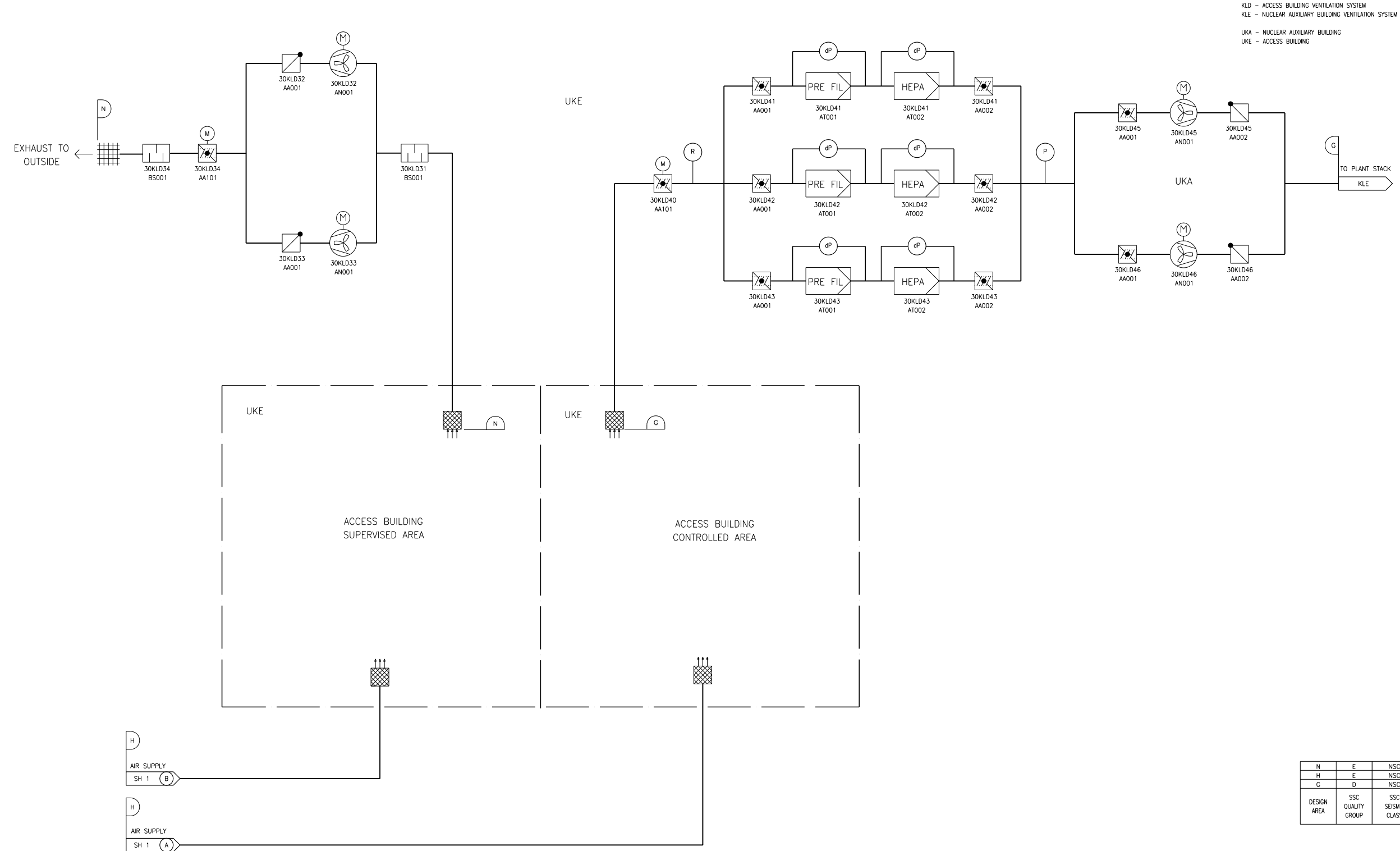
Figure 9.4.14-1—Access Building Ventilation System – Supply Air Subsystem



E	E	NSC
A	E	NSC
DESIGN AREA	SSC QUALITY GROUP	SSC SEISMIC CLASS

KLD01T2

Figure 9.4.14-2—Access Building Ventilation System – Supply and Exhaust Air Subsystem



KLD02T2