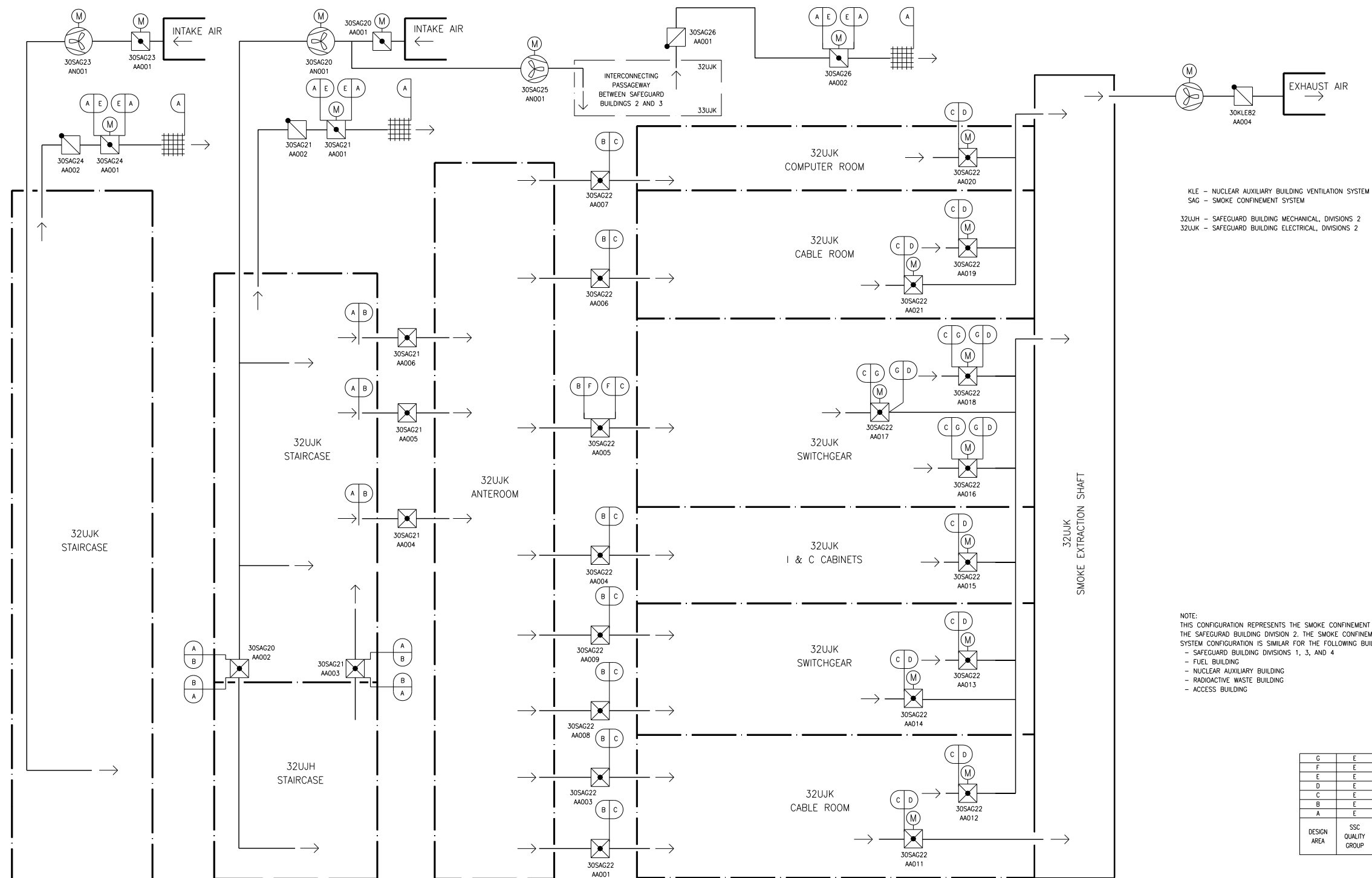
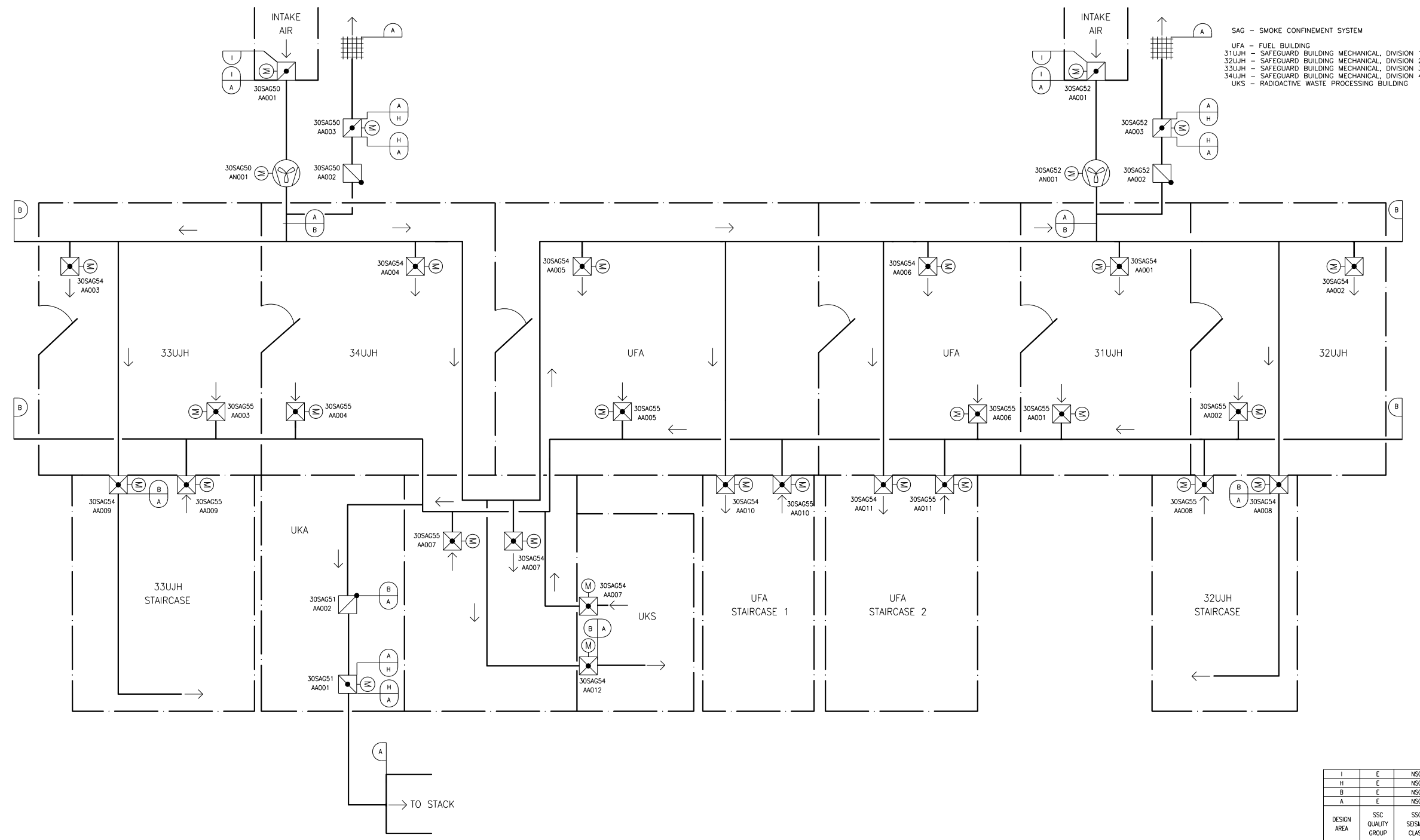


Figure 9.4.13-1—Typical Configuration of Smoke Confinement System



SAG01T2

Figure 9.4.13-2—Smoke Confinement System Interconnecting Passageway



SAG02T2