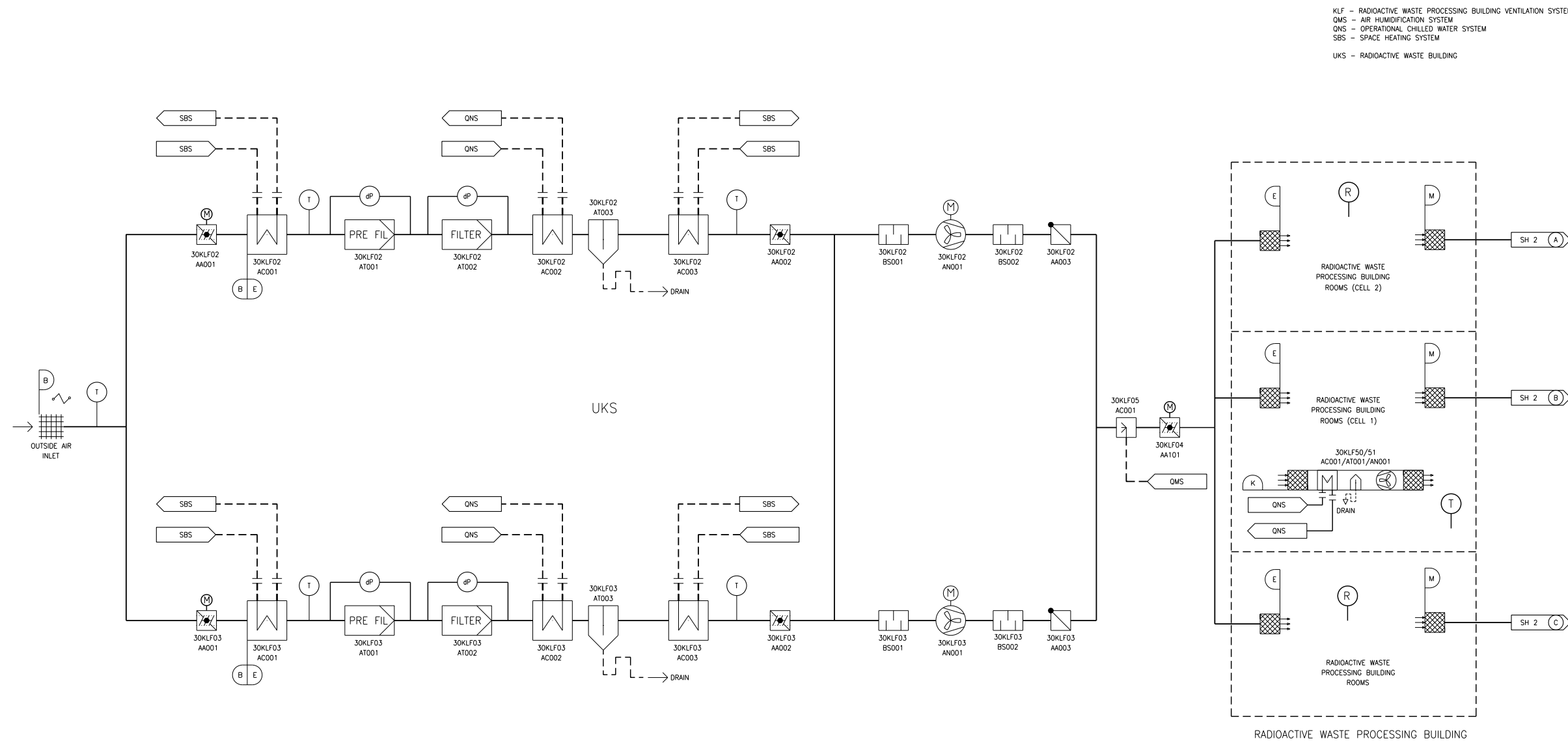


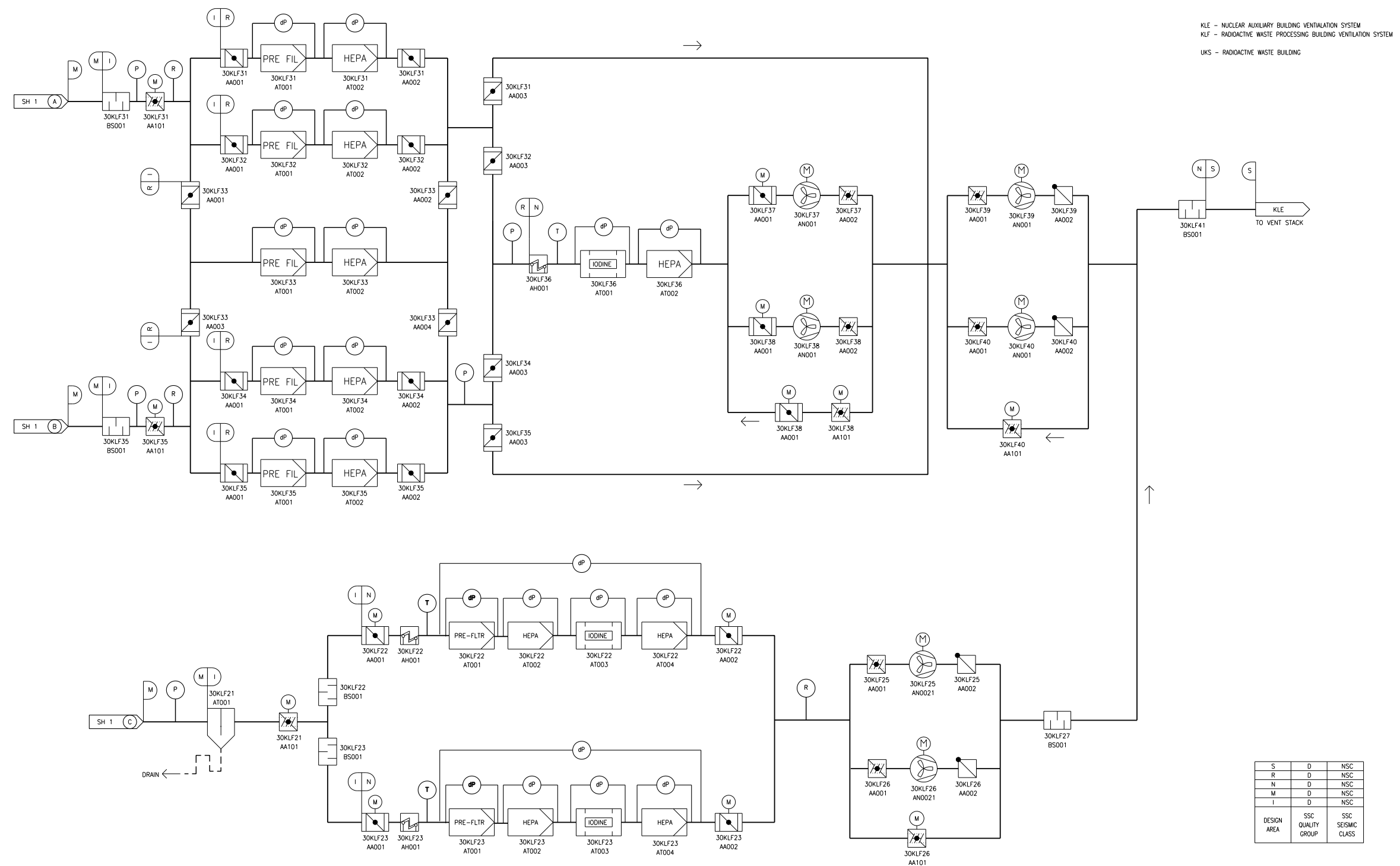
Figure 9.4.8-1—Radioactive Waste Building Ventilation System Air Supply



K	D	NSC
E	D	NSC
B	D	NSC
DESIGN AREA	SSC QUALITY GROUP	SSC SEISMIC CLASS

KLF01T2

Figure 9.4.8-2—Radioactive Waste Building Ventilation System Exhaust Air Station



KLF02T2