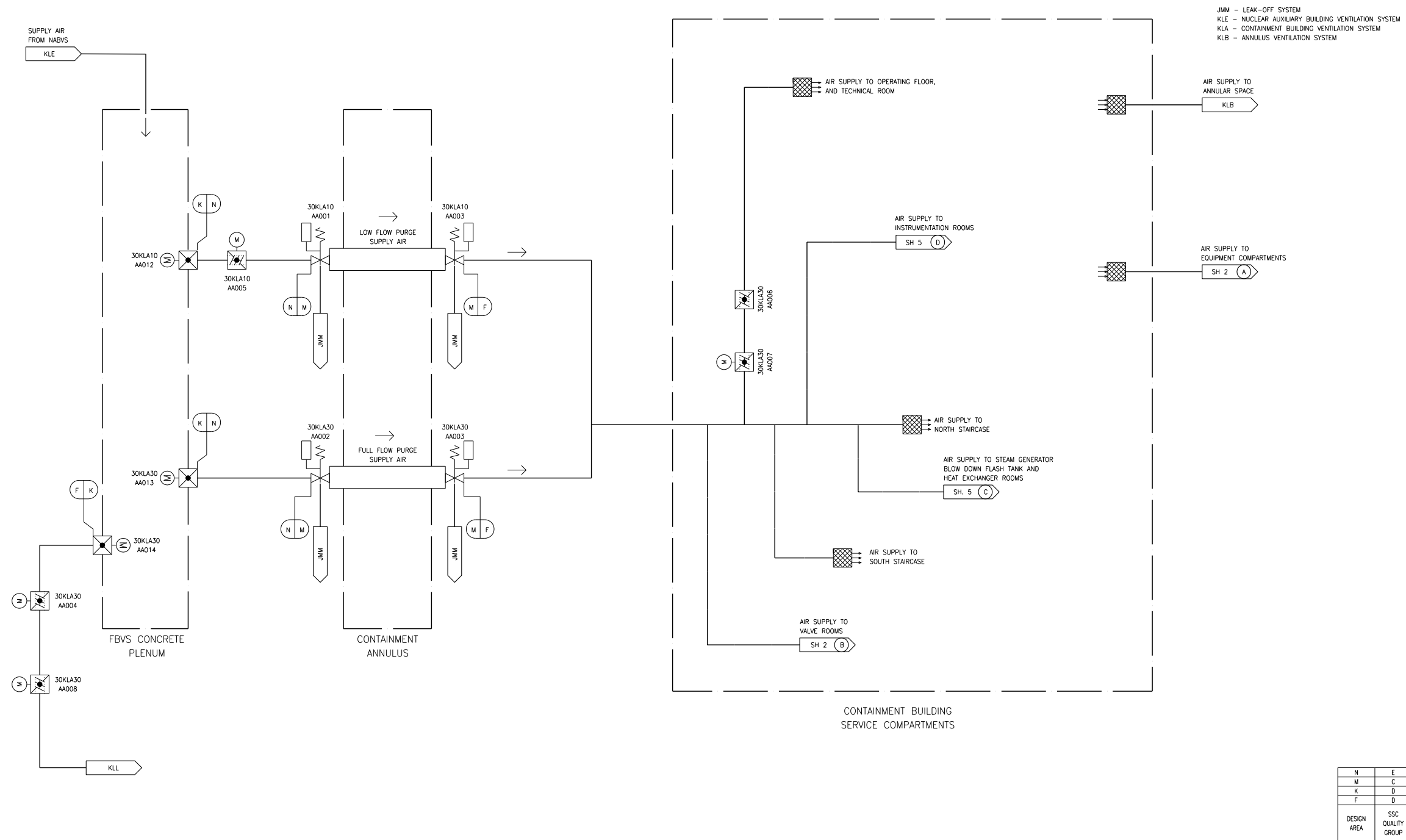
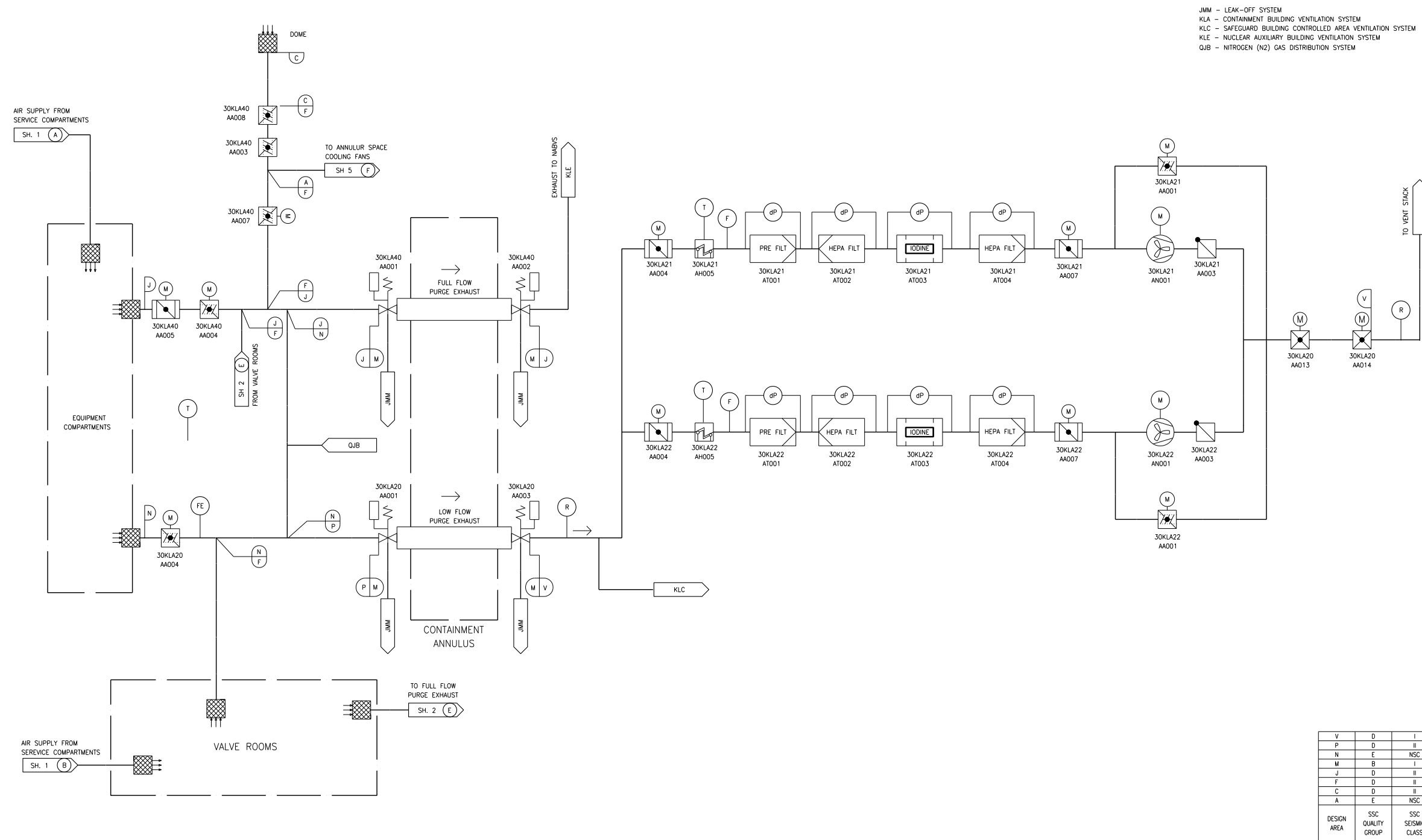


Figure 9.4.7-1—Containment Building Low Flow and Full Flow Purge Supply Subsystem



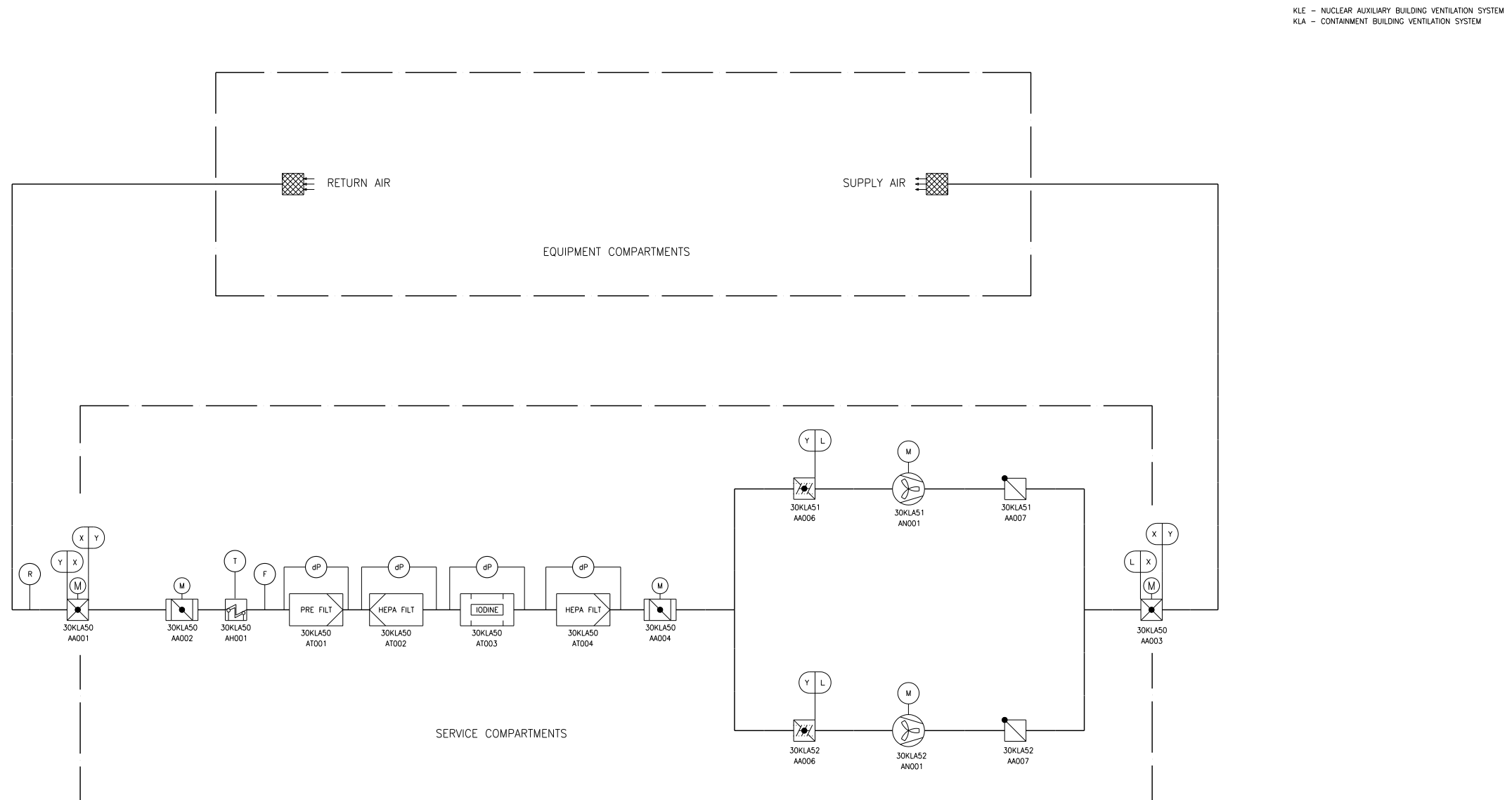
KLA01T2

Figure 9.4.7-2—Containment Building Low Flow and Full Flow Purge Exhaust Subsystem



KLA02T2

Figure 9.4.7-3—Containment Building Internal Filtration Subsystem

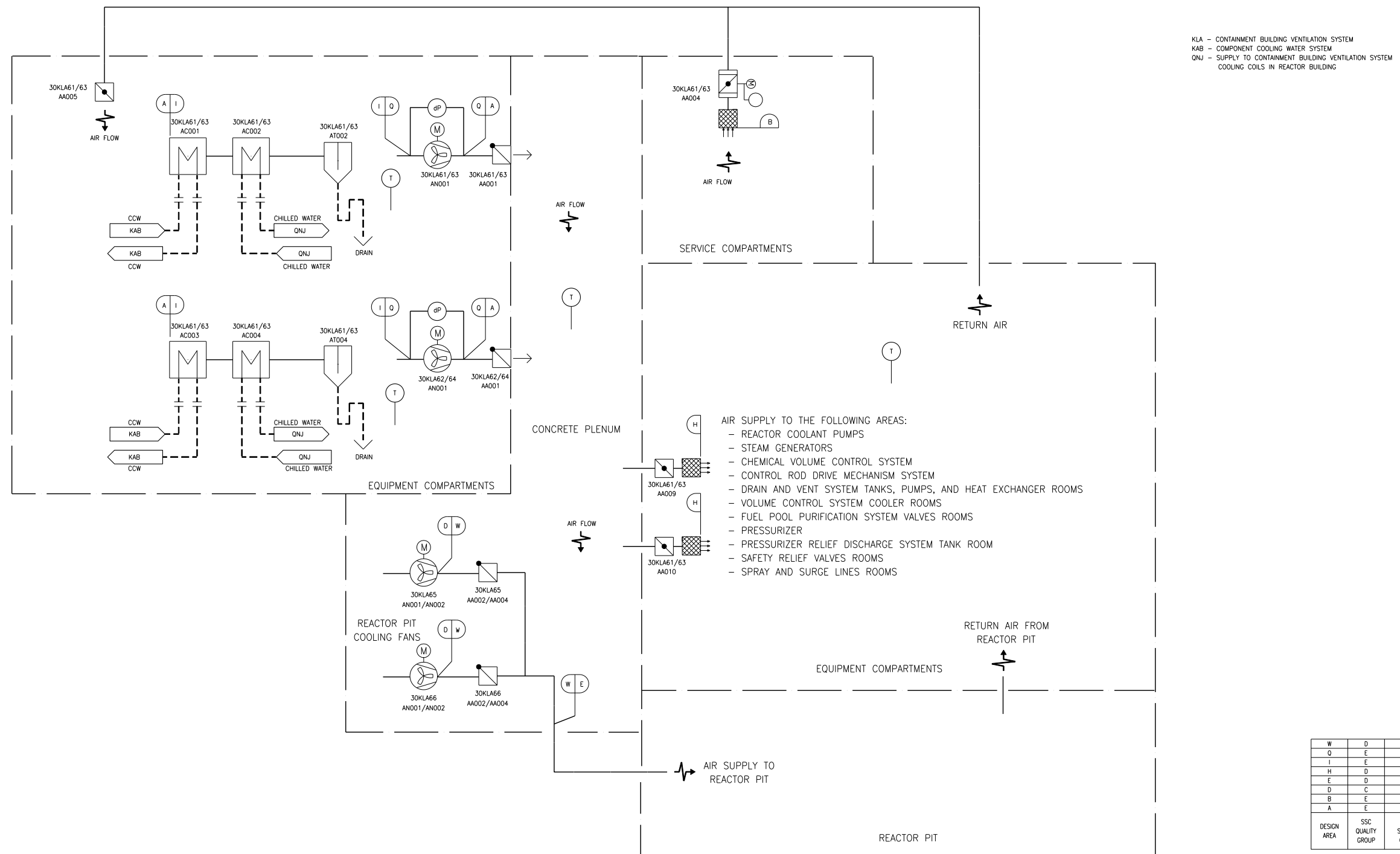


KLE - NUCLEAR AUXILIARY BUILDING VENTILATION SYSTEM
 KLA - CONTAINMENT BUILDING VENTILATION SYSTEM

Y	D	I
X	D	I
L	D	I
DESIGN AREA	SSC QUALITY GROUP	SSC SEISMIC CLASS

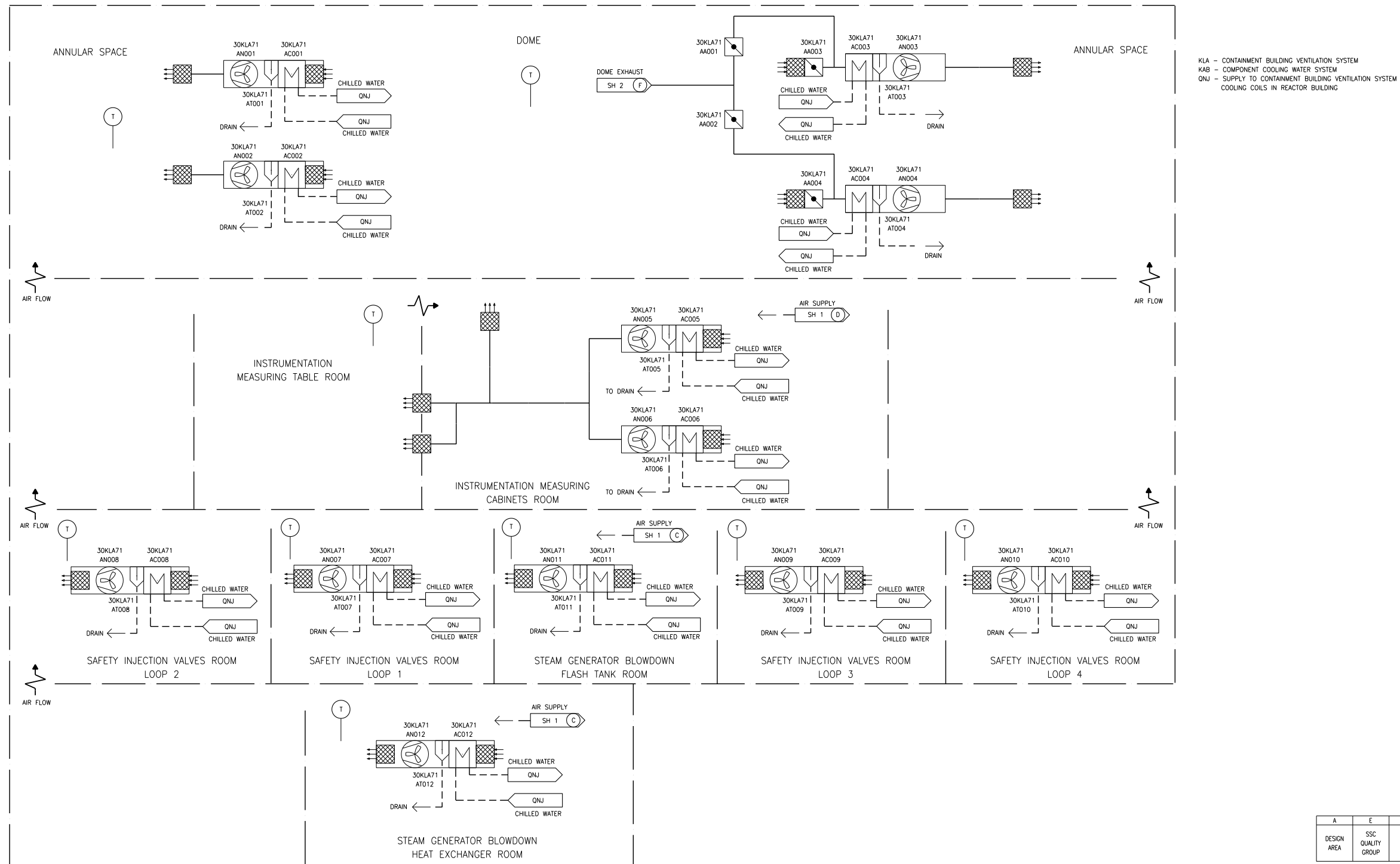
KLA03T2

Figure 9.4.7-4—Containment Building Cooling Subsystem



KLA04T2

Figure 9.4.7-5—Containment Building Service Compartments Cooling Subsystem



KLA05T2