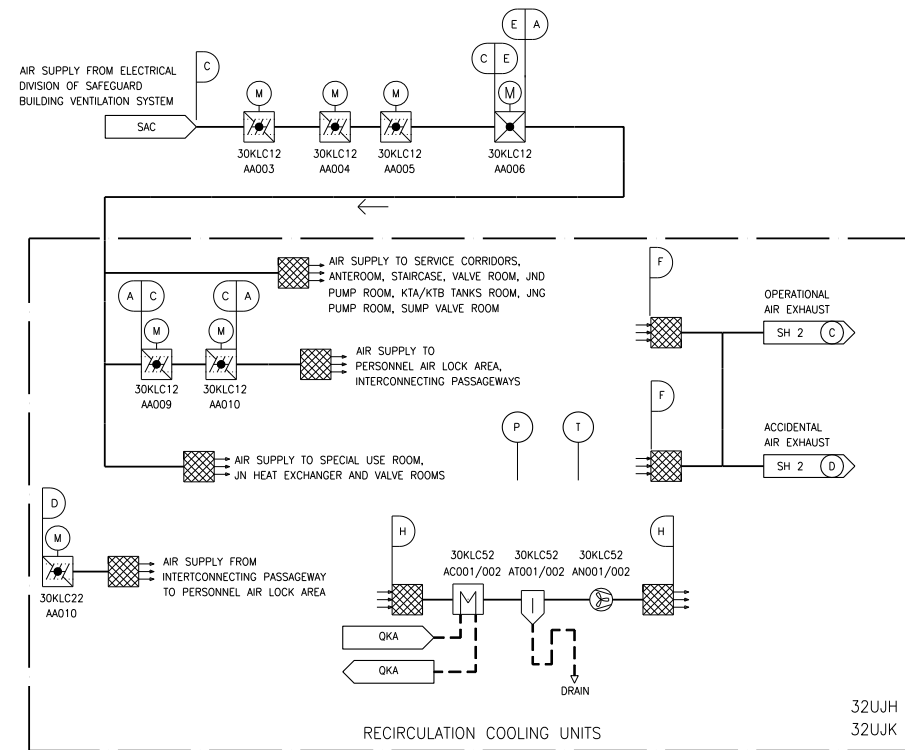
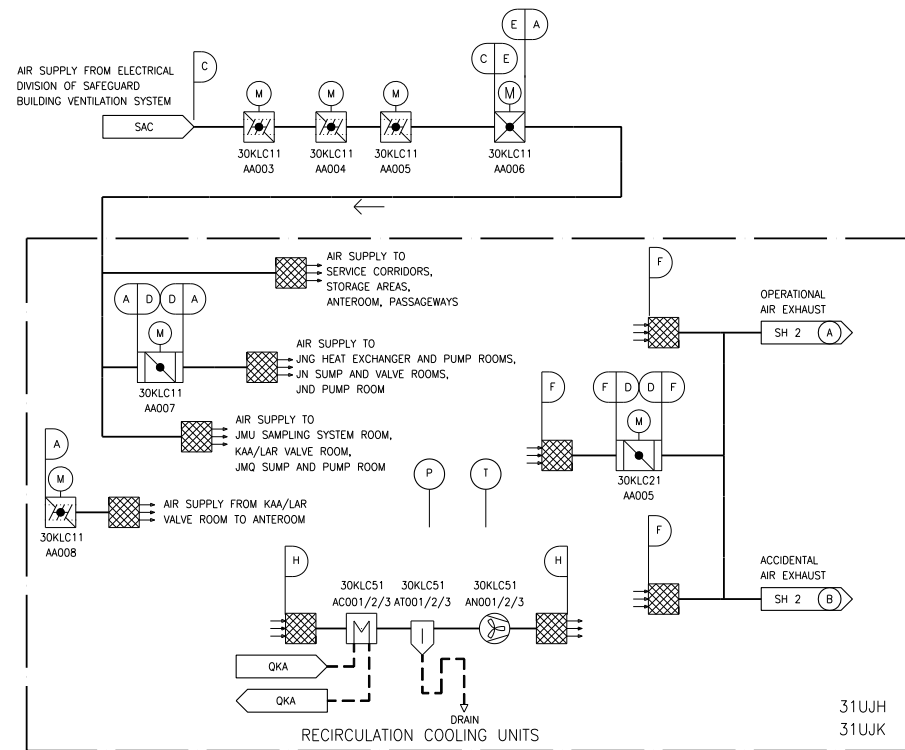
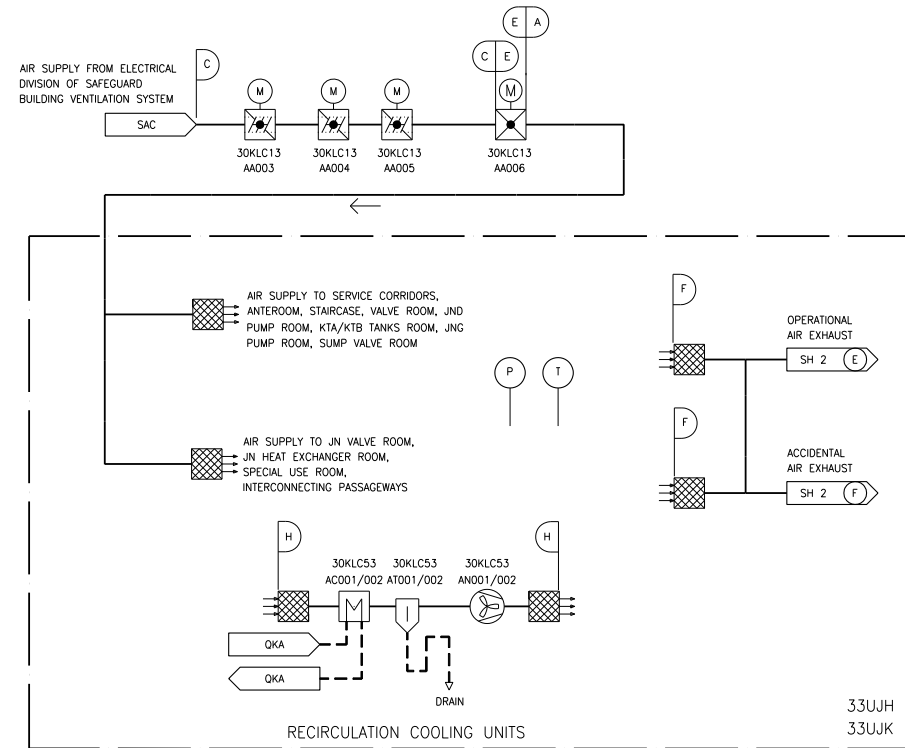
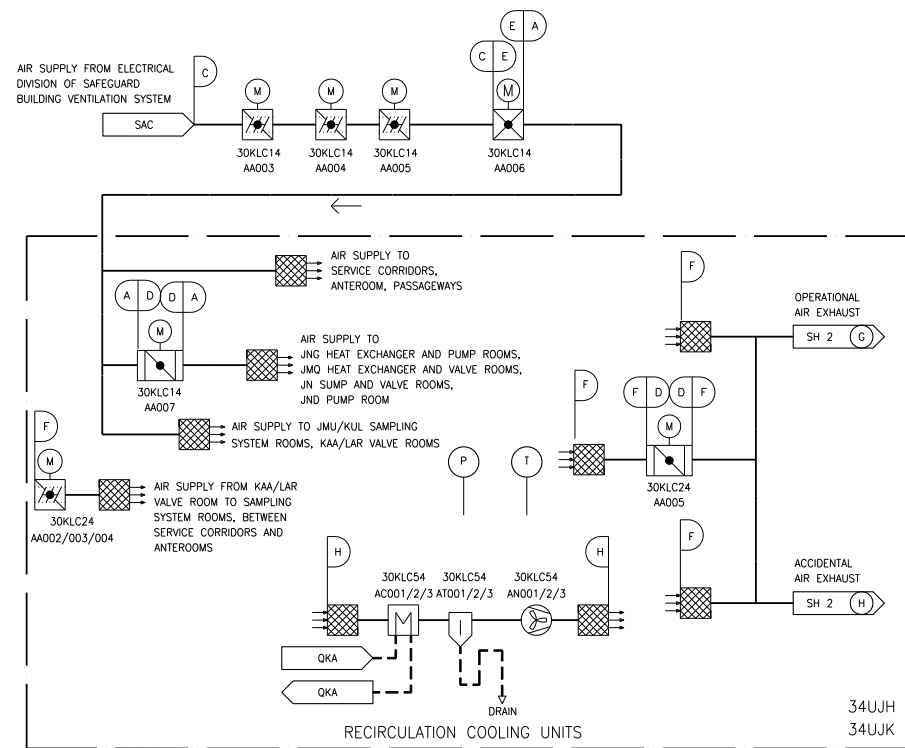


Figure 9.4.5-1—Safeguard Buildings Air Supply Sub-System



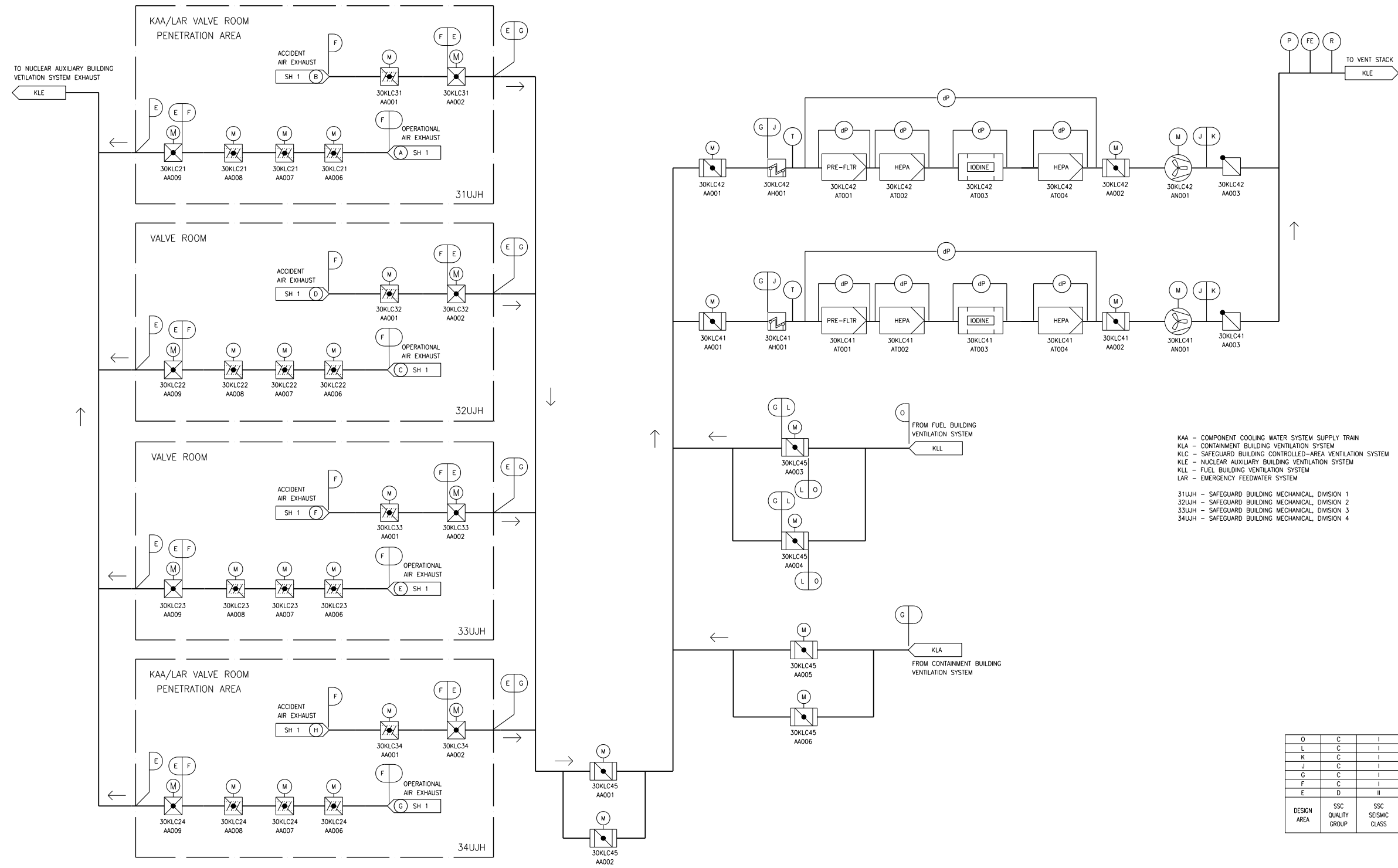
- JMQ - SEVERE ACCIDENT HEAT REMOVAL SYSTEM
 - JMU - HYDROGEN MONITORING SYSTEM
 - JN - SAFETY INJECTION AND RESIDUAL HEAT REMOVAL SYSTEM
 - JND - MEDIUM HEAD SAFETY INJECTION SYSTEM
 - JNG - LOW HEAD SAFETY INJECTION SYSTEM
 - KAA - COMPONENT COOLING WATER SYSTEM SUPPLY TRAIN
 - KLC - SAFEGUARD BUILDING CONTROLLED-AREA VENTILATION SYSTEM
 - KTA - NUCLEAR ISLAND DRAIN AND VENT SYSTEM - PRIMARY EFFLUENTS
 - KTB - NUCLEAR ISLAND DRAIN AND VENT SYSTEM - PROCESS DRAINS
 - KUL - SEVERE ACCIDENT SAMPLING SYSTEM
 - LAR - EMERGENCY FEEDWATER SYSTEM
 - OKA - SAFETY CHILLED WATER SYSTEM MAIN COMPONENTS
 - SAC - ELECTRICAL DIVISION OF SAFEGUARD BUILDING VENTILATION SYSTEM
- 31UJH - SAFEGUARD BUILDING, MECHANICAL DIVISION 1
 - 32UJH - SAFEGUARD BUILDING, MECHANICAL DIVISION 2
 - 33UJH - SAFEGUARD BUILDING, MECHANICAL DIVISION 3
 - 34UJH - SAFEGUARD BUILDING, MECHANICAL DIVISION 4
 - 31UJK - SAFEGUARD BUILDING, ELECTRICAL DIVISION 1
 - 32UJK - SAFEGUARD BUILDING, ELECTRICAL DIVISION 2
 - 33UJK - SAFEGUARD BUILDING, ELECTRICAL DIVISION 3
 - 34UJK - SAFEGUARD BUILDING, ELECTRICAL DIVISION 4



H	C	I
F	C	I
E	D	II
D	C	I
C	C	I
A	D	II
DESIGN AREA	SSC QUALITY GROUP	SSC SEISMIC CLASS

KLC01T2

Figure 9.4.5-2—Safeguard Buildings Exhaust Air Sub-System



KLC02T2