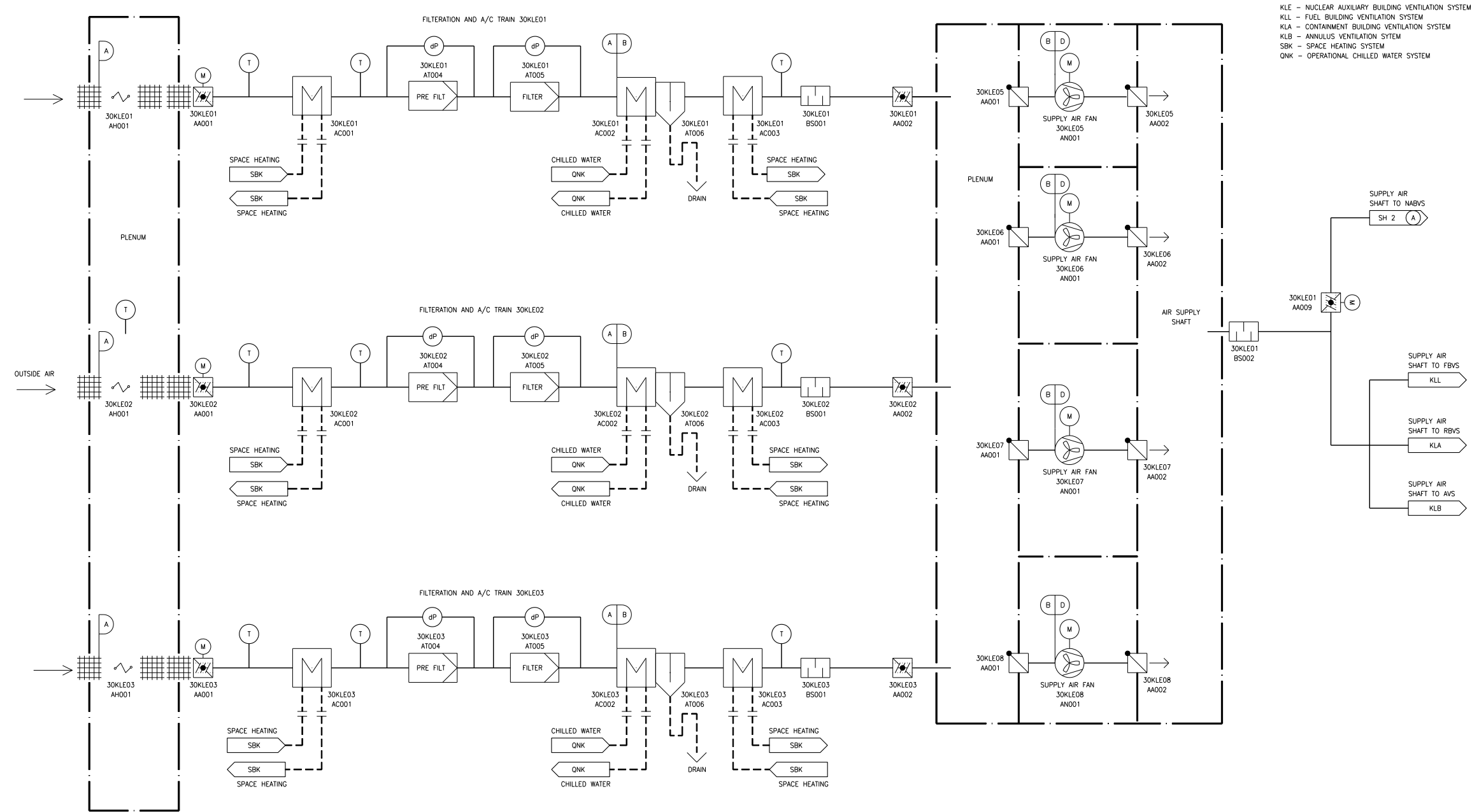


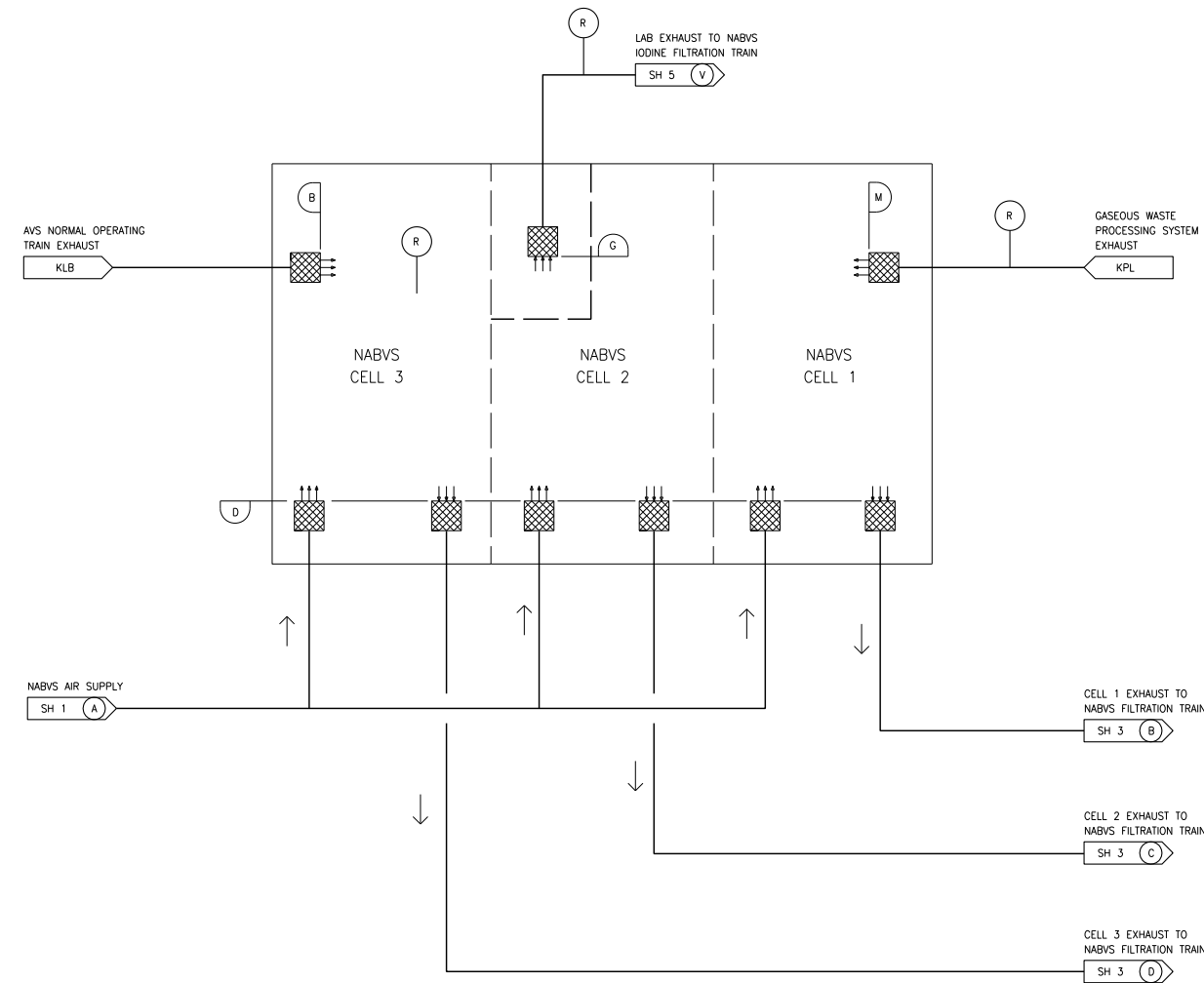
Figure 9.4.3-1—Nuclear Auxiliary Building Supply Air Filtration and A/C Trains



D	E	NSC
B	E	NSC
A	E	NSC
DESIGN AREA	SSC QUALITY GROUP	SSC SEISMIC CLASS

KLE01T2

Figure 9.4.3-2—Nuclear Auxiliary Building Air Supply and Exhaust Subsystem

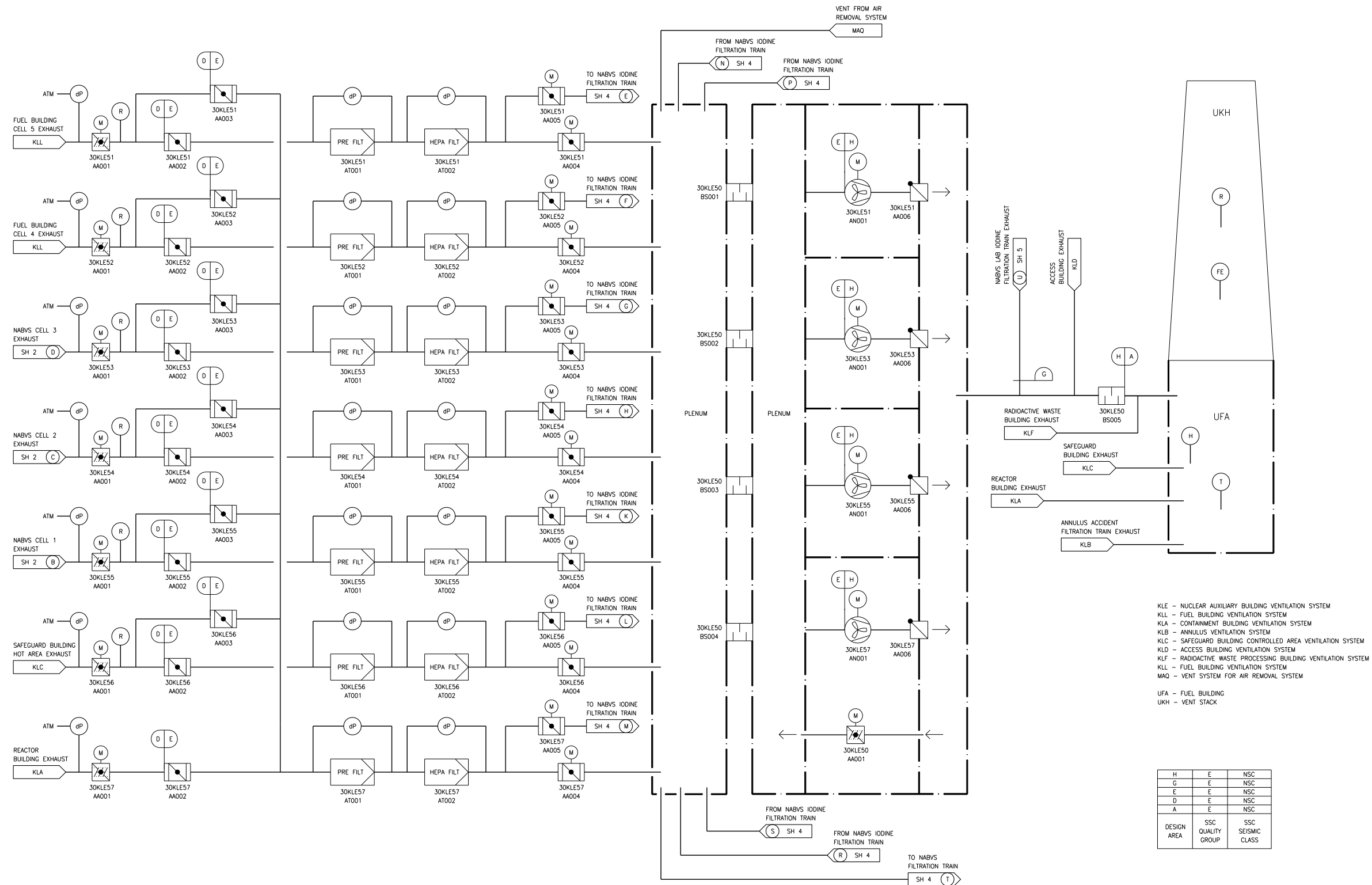


KLE - NUCLEAR AUXILIARY BUILDING VENTILATION SYSTEM
 KLB - ANNULUS VENTILATION SYSTEM
 KPL - GASEOUS WASTE PROCESSING SYSTEM

M	D	RS
G	D	NSC
D	E	NSC
B	D	NSC
DESIGN AREA	SSC QUALITY GROUP	SSC SEISMIC CLASS

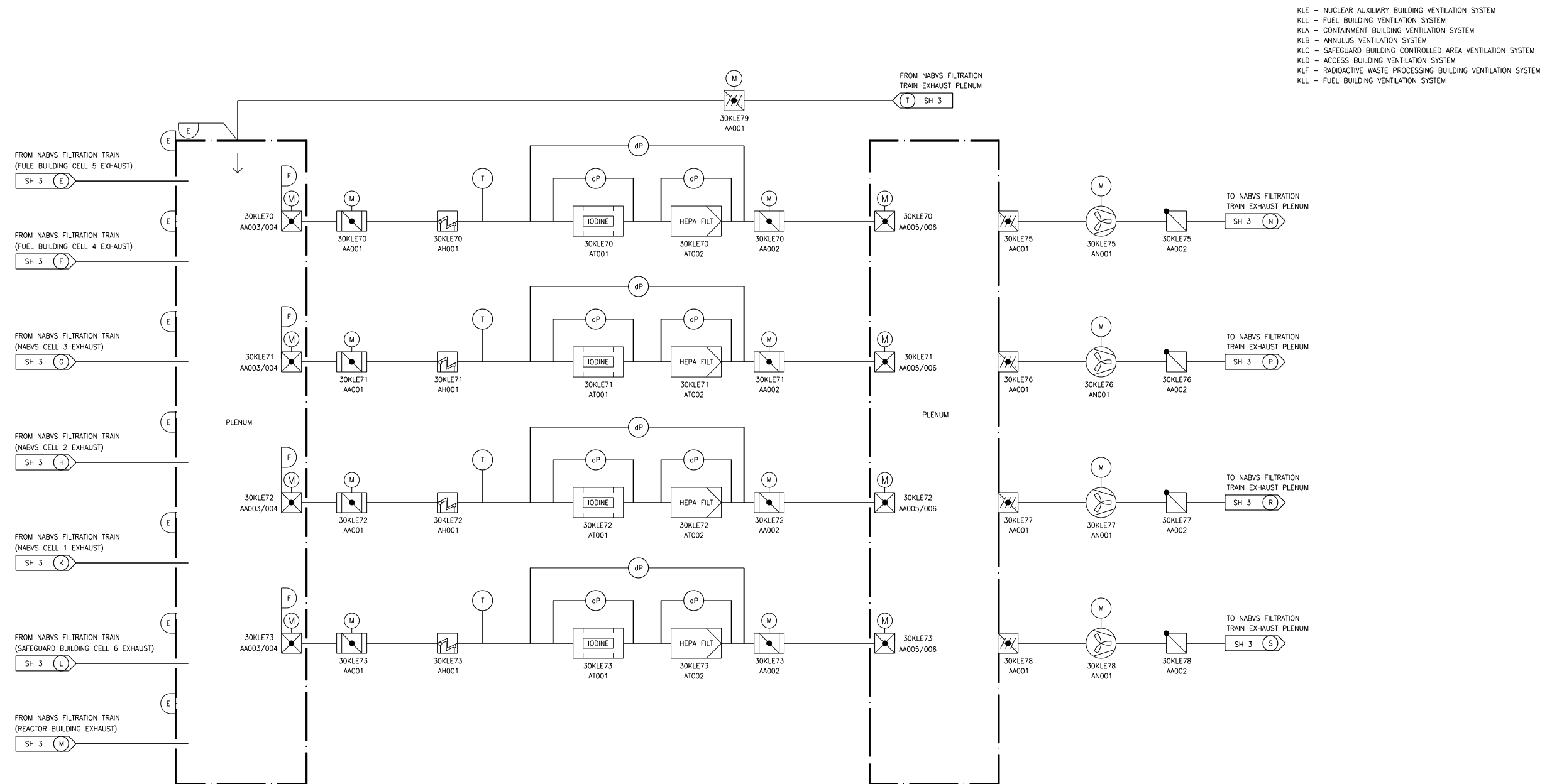
KLE02T2

Figure 9.4.3-3—Nuclear Auxiliary Building Exhaust Filtration Trains Subsystem



KLE03T2

Figure 9.4.3-4—Nuclear Auxiliary Building Exhaust Iodine Filtration Train Subsystem

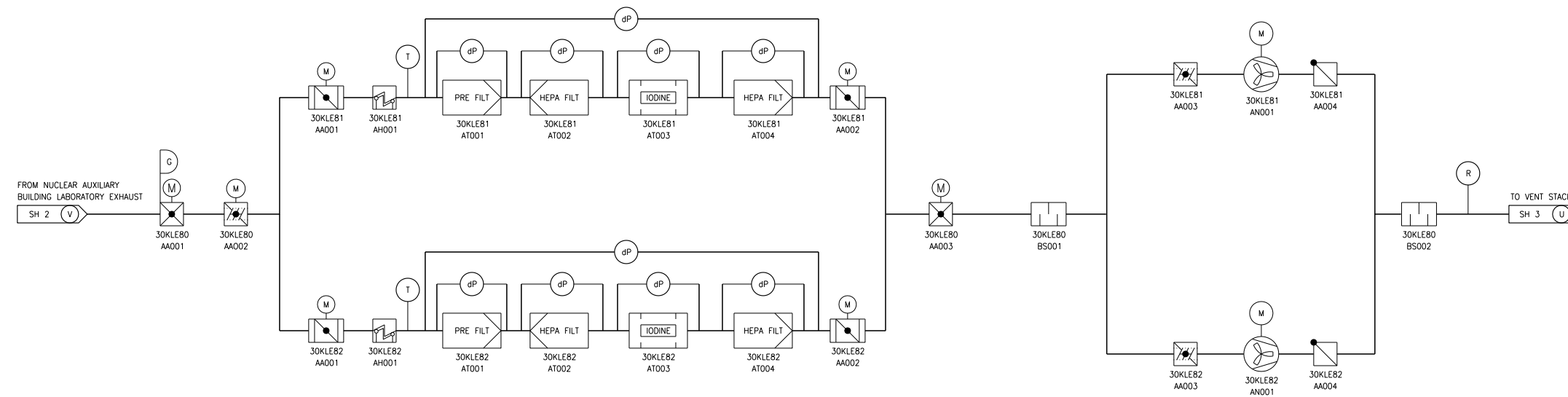


F	D	NSC
E	D	NSC
DESIGN AREA	SSC QUALITY GROUP	SSC SEISMIC CLASS

KLE04T2

Figure 9.4.3-5—Nuclear Auxiliary Building Laboratory Iodine Exhaust Filtration Train

KLE - NUCLEAR AUXILIARY BUILDING VENTILATION SYSTEM



G	D	NSC
DESIGN AREA	SSC QUALITY GROUP	SSC SEISMIC CLASS

KLE05T2