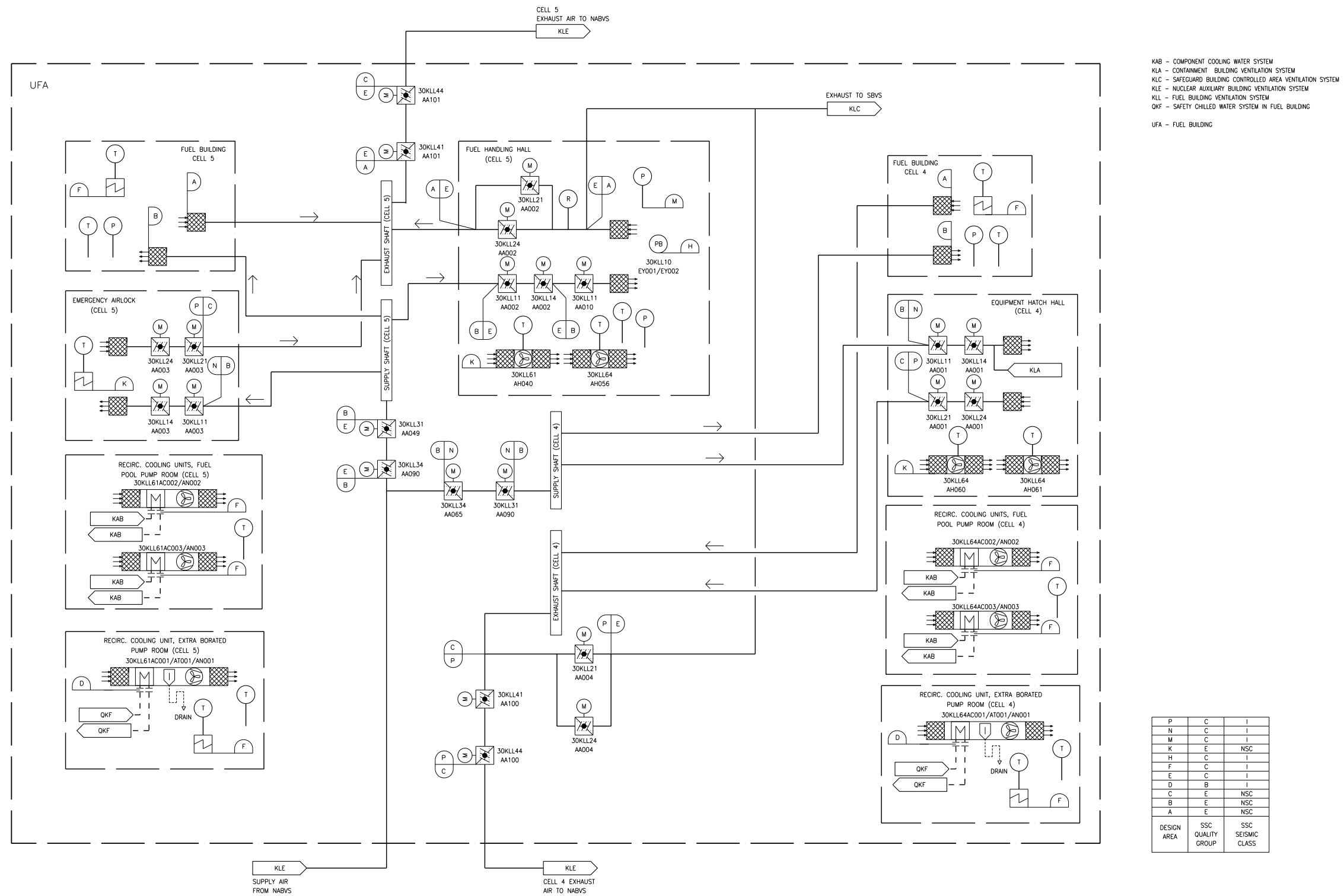


Figure 9.4.2-1—Fuel Building Ventilation System



KLL01T2