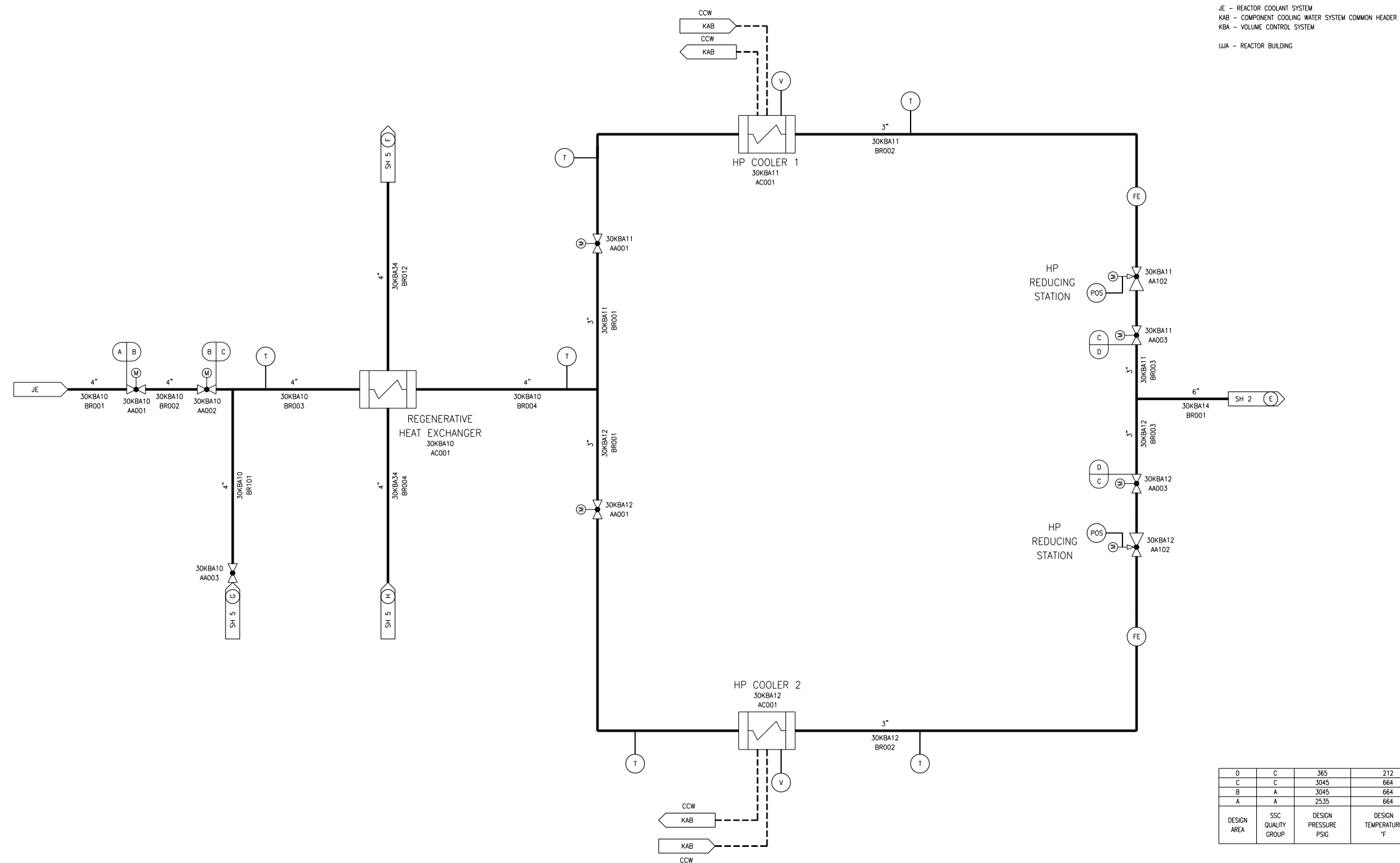
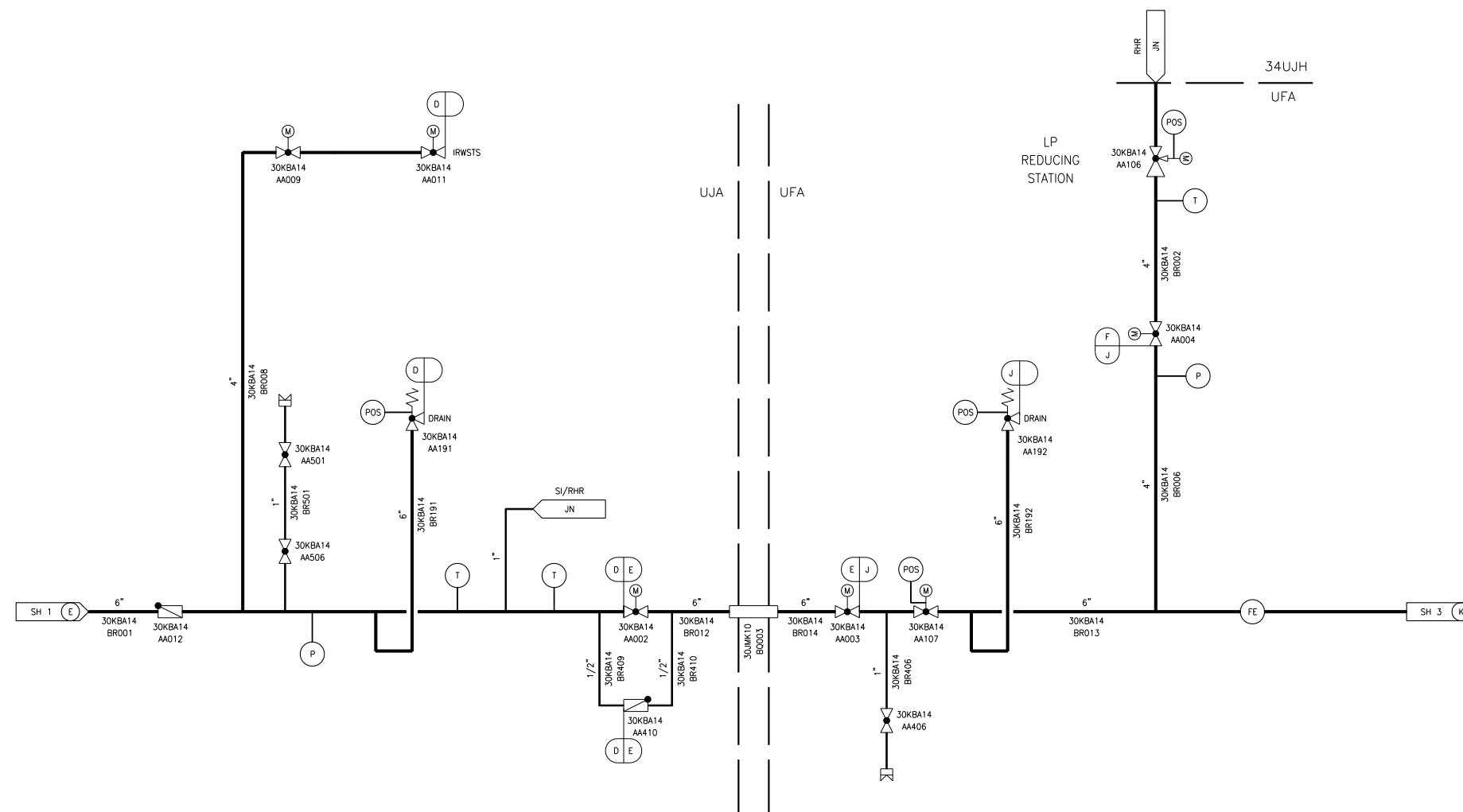


Figure 9.3.4-1—Chemical and Volume Control System
Sheet 1 of 9



KBA01T2

Figure 9.3.4-1—Chemical and Volume Control System
Sheet 2 of 9



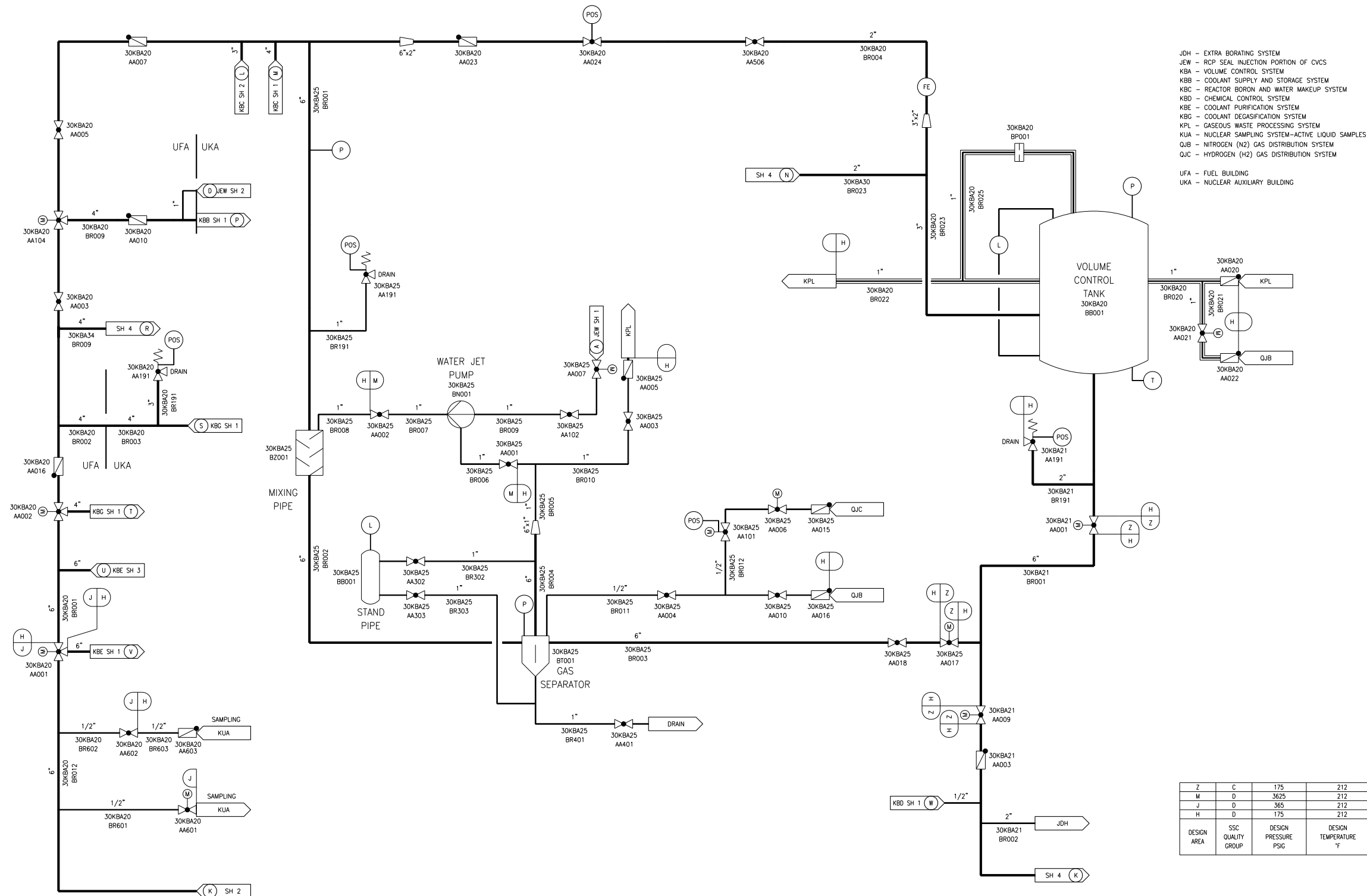
JN - SAFETY INJECTION AND RESIDUAL HEAT REMOVAL SYSTEM
KBA - VOLUME CONTROL SYSTEM

UFA - FUEL BUILDING
UJA - REACTOR BUILDING
34UJH - SAFEGUARD BUILDING MECHANICAL, DIVISION 4

J	D	365	212	NSC
F	C	1160	360	I
E	B	365	340	I
D	C	365	212	I
DESIGN AREA	SSC QUALITY GROUP	DESIGN PRESSURE PSIG	DESIGN TEMPERATURE °F	SSC SEISMIC CLASS

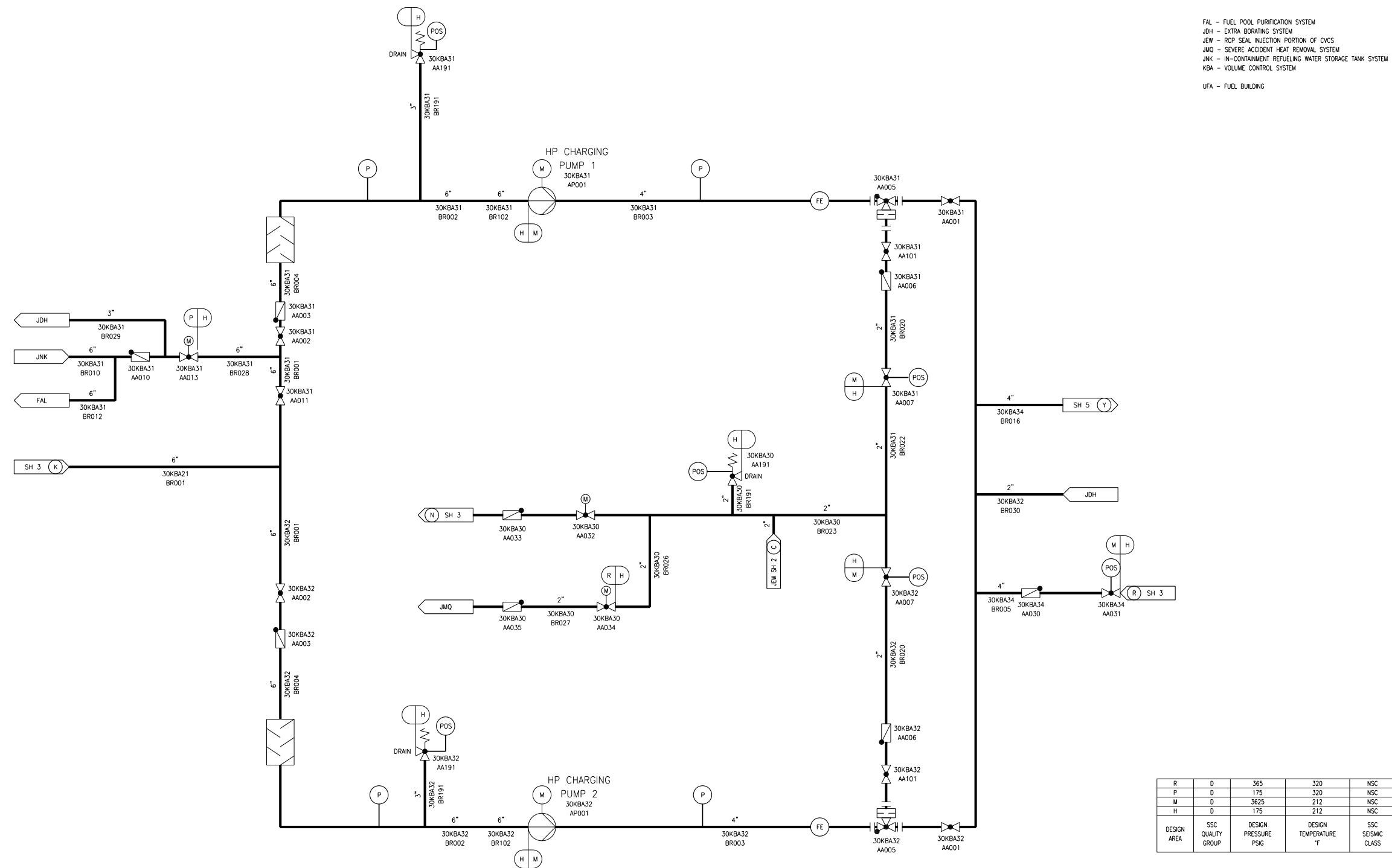
KBA02T2

Figure 9.3.4-1—Chemical and Volume Control System
Sheet 3 of 9



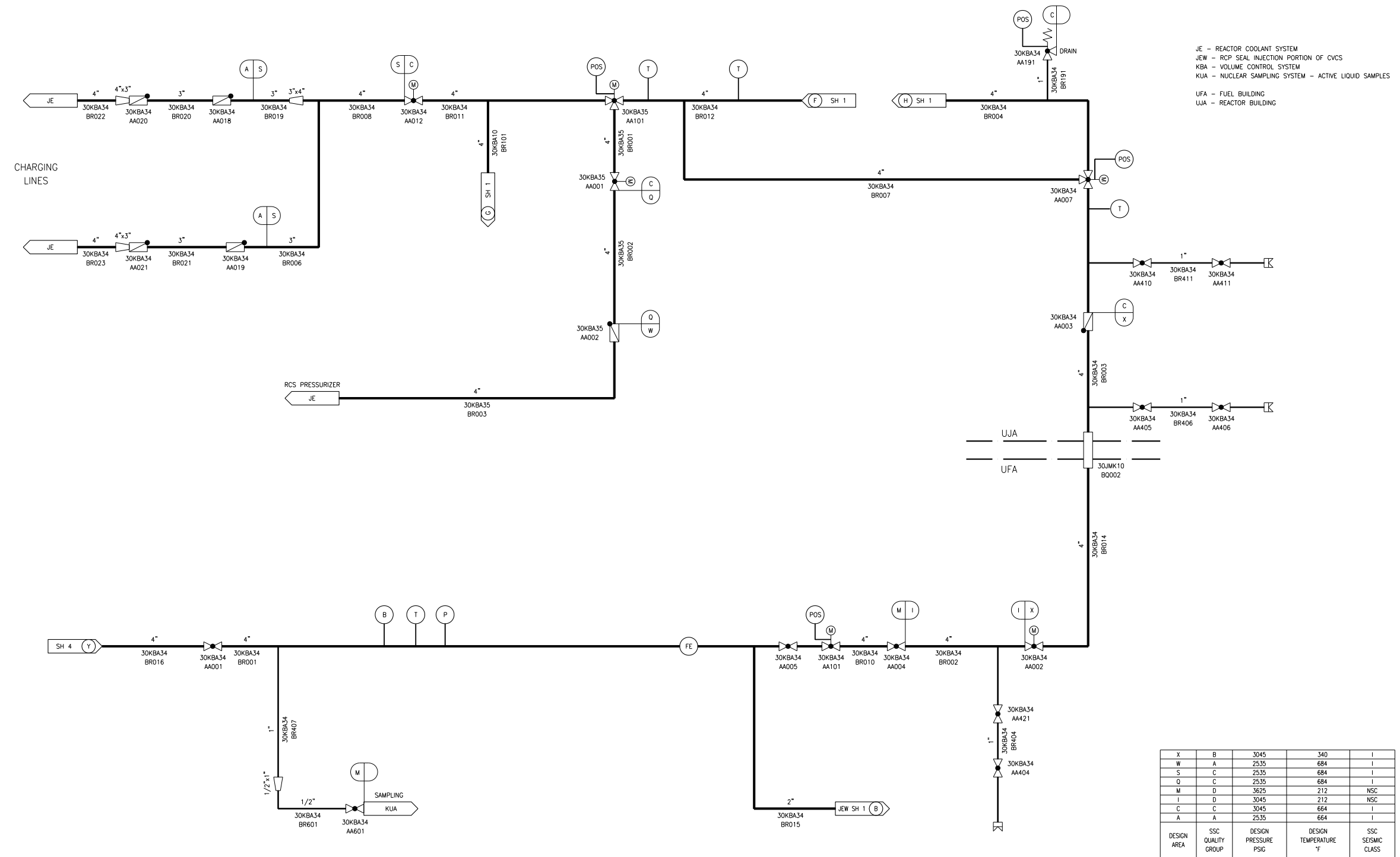
KBA03T2

Figure 9.3.4-1—Chemical and Volume Control System
Sheet 4 of 9



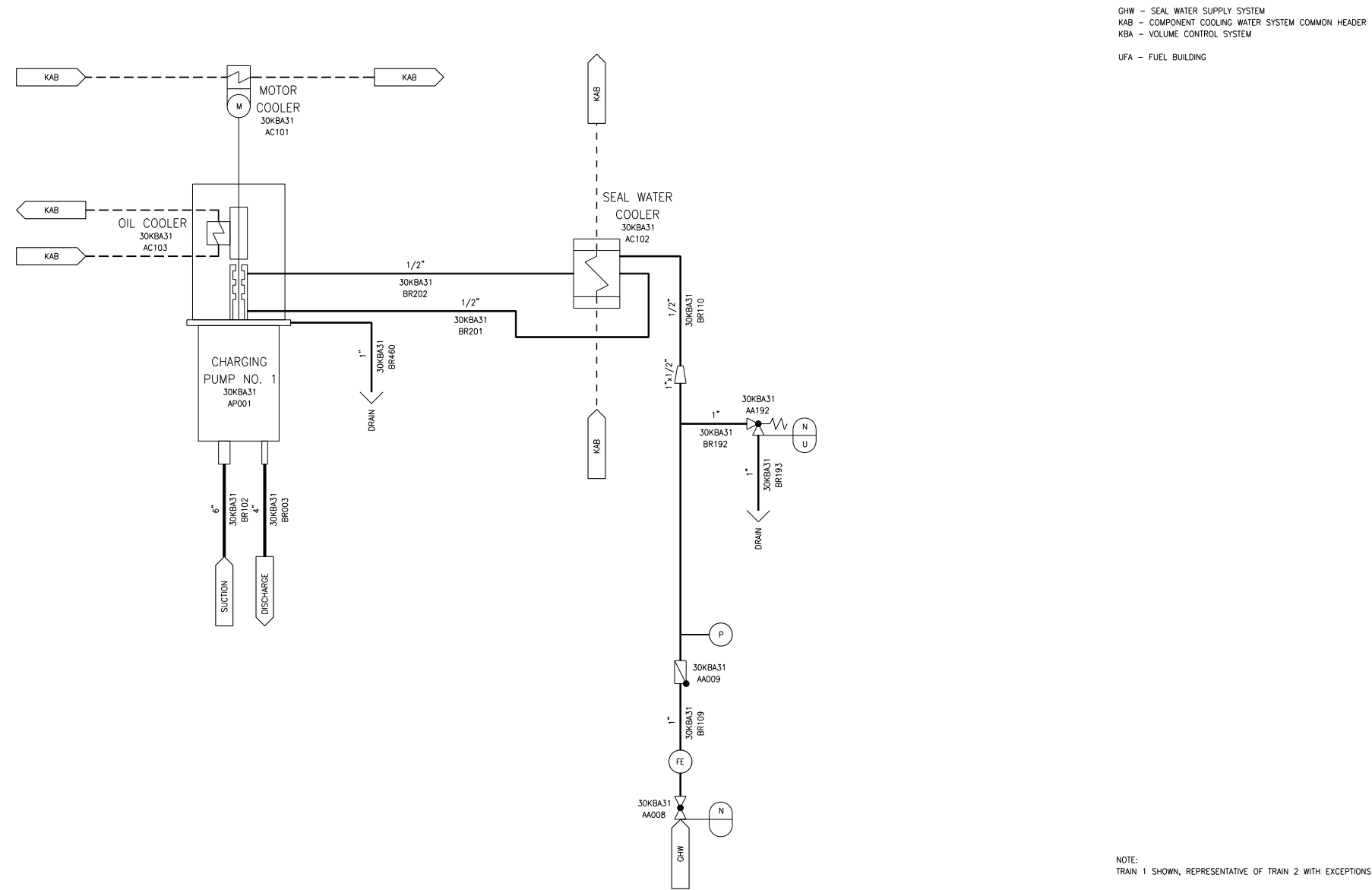
KBA04T2

Figure 9.3.4-1—Chemical and Volume Control System
Sheet 5 of 9



KBA05T2

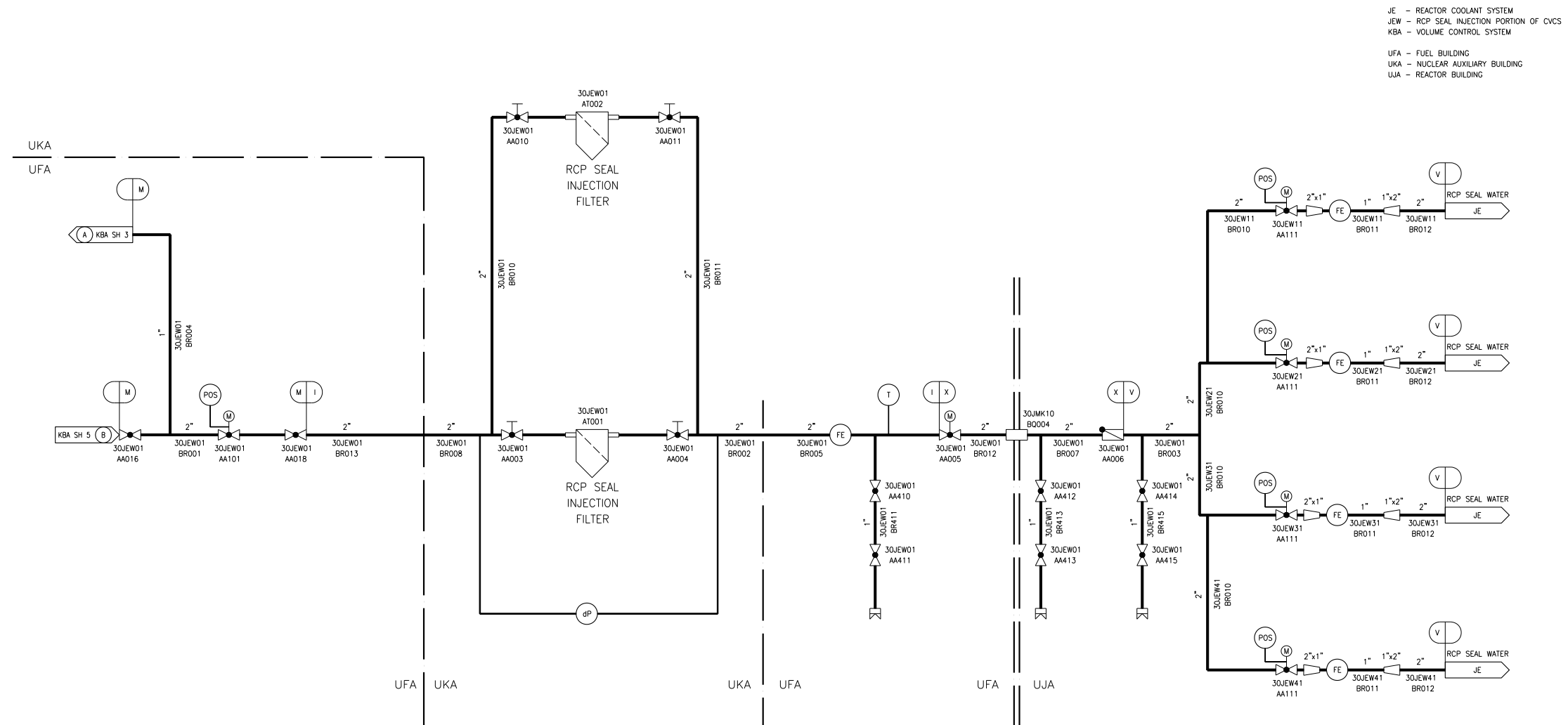
Figure 9.3.4-1—Chemical and Volume Control System
Sheet 6 of 9



U	E	0	212	NSC
N	D	235	212	NSC
DESIGN AREA	SSC QUALITY GROUP	DESIGN PRESSURE PSIG	DESIGN TEMPERATURE °F	SSC SEISMIC CLASS

KBA06T2

Figure 9.3.4-1—Chemical and Volume Control System
Sheet 7 of 9



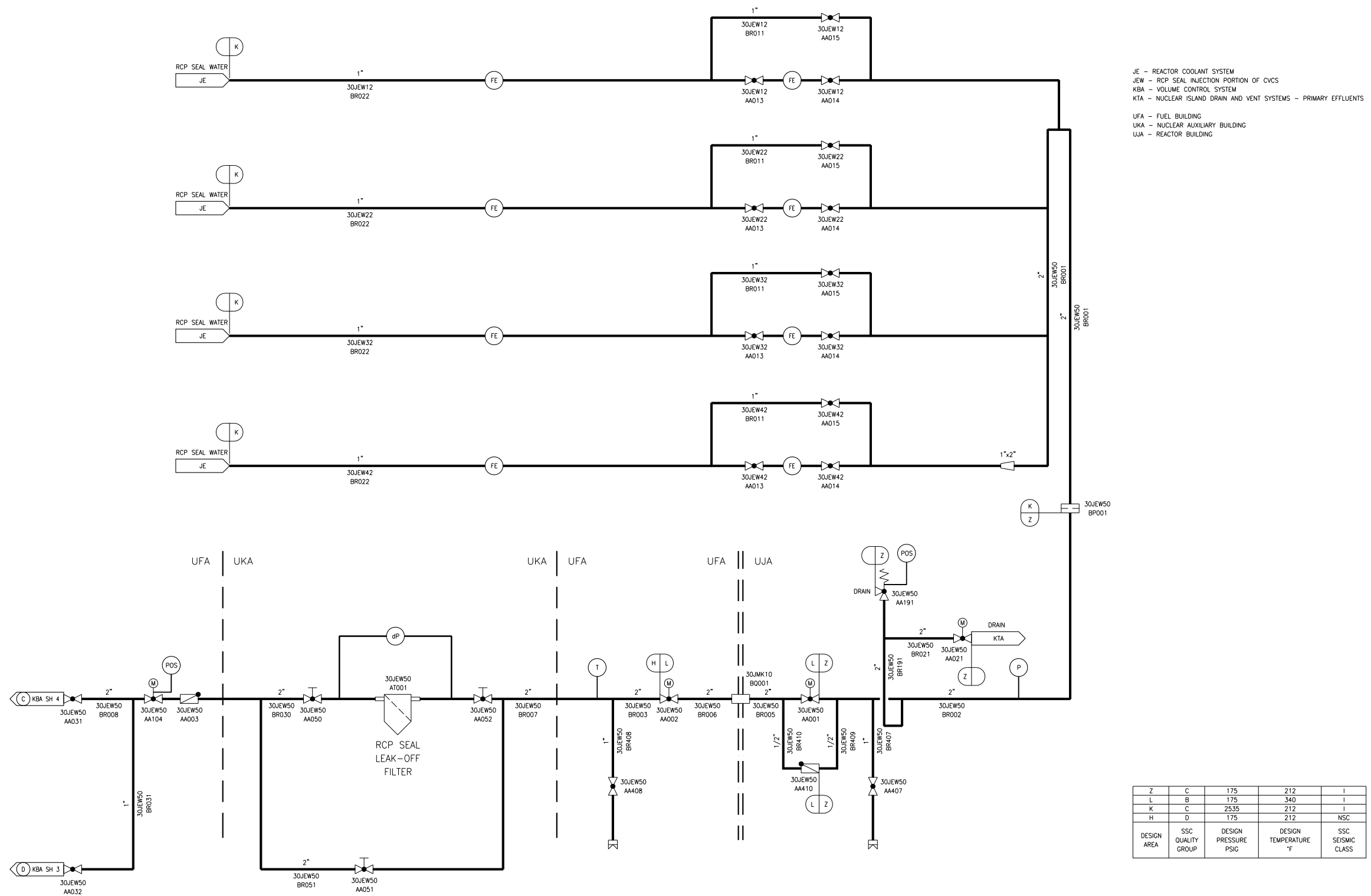
JE - REACTOR COOLANT SYSTEM
 JEW - RCP SEAL INJECTION PORTION OF CVCS
 KBA - VOLUME CONTROL SYSTEM

 UFA - FUEL BUILDING
 UKA - NUCLEAR AUXILIARY BUILDING
 UJA - REACTOR BUILDING

X	B	3045	340	I
V	C	3045	212	I
M	D	3625	212	NSC
I	D	3045	212	NSC
DESIGN AREA	SSC QUALITY GROUP	DESIGN PRESSURE PSIG	DESIGN TEMPERATURE °F	SSC SEISMIC CLASS

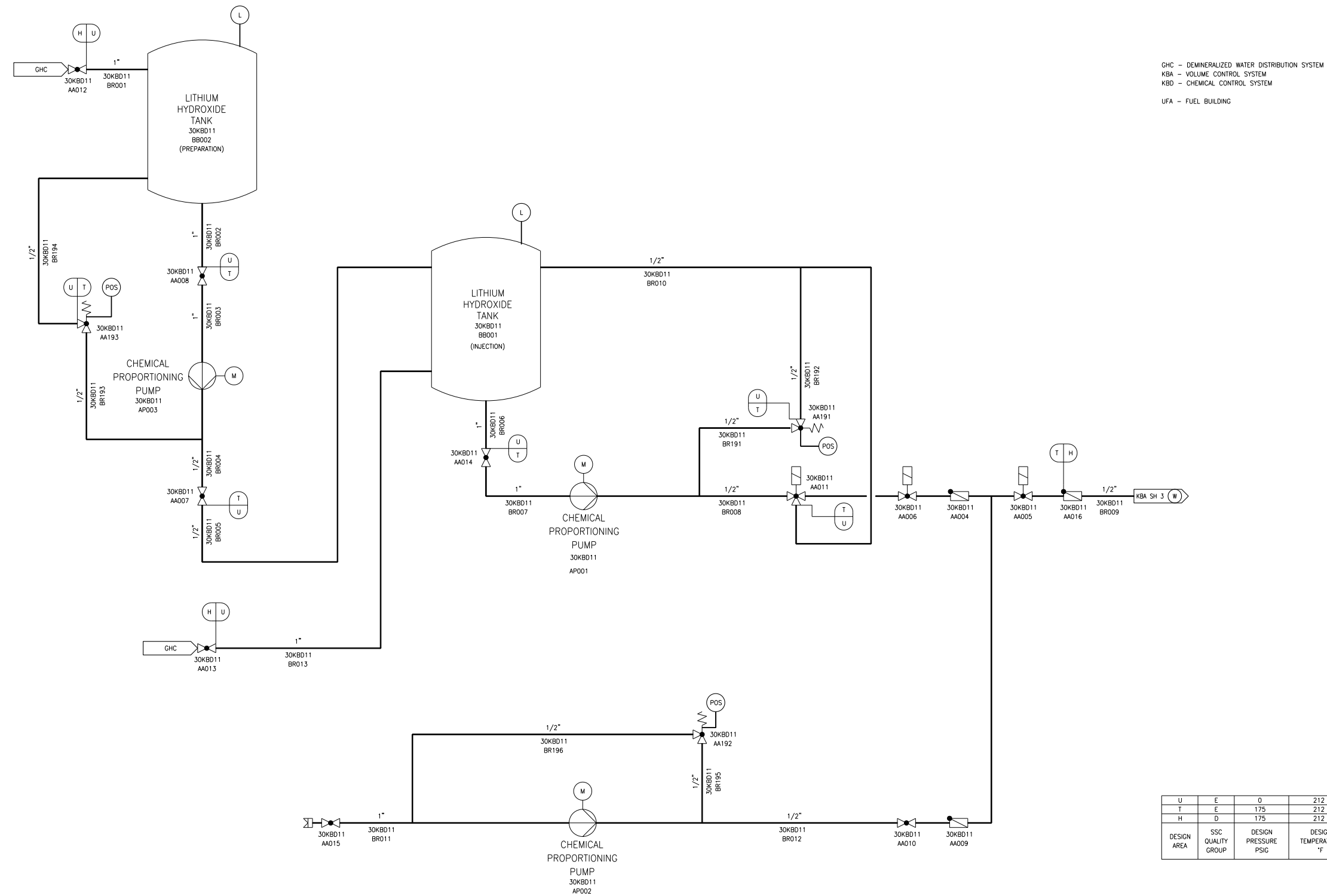
JEW01T2

Figure 9.3.4-1—Chemical and Volume Control System
Sheet 8 of 9



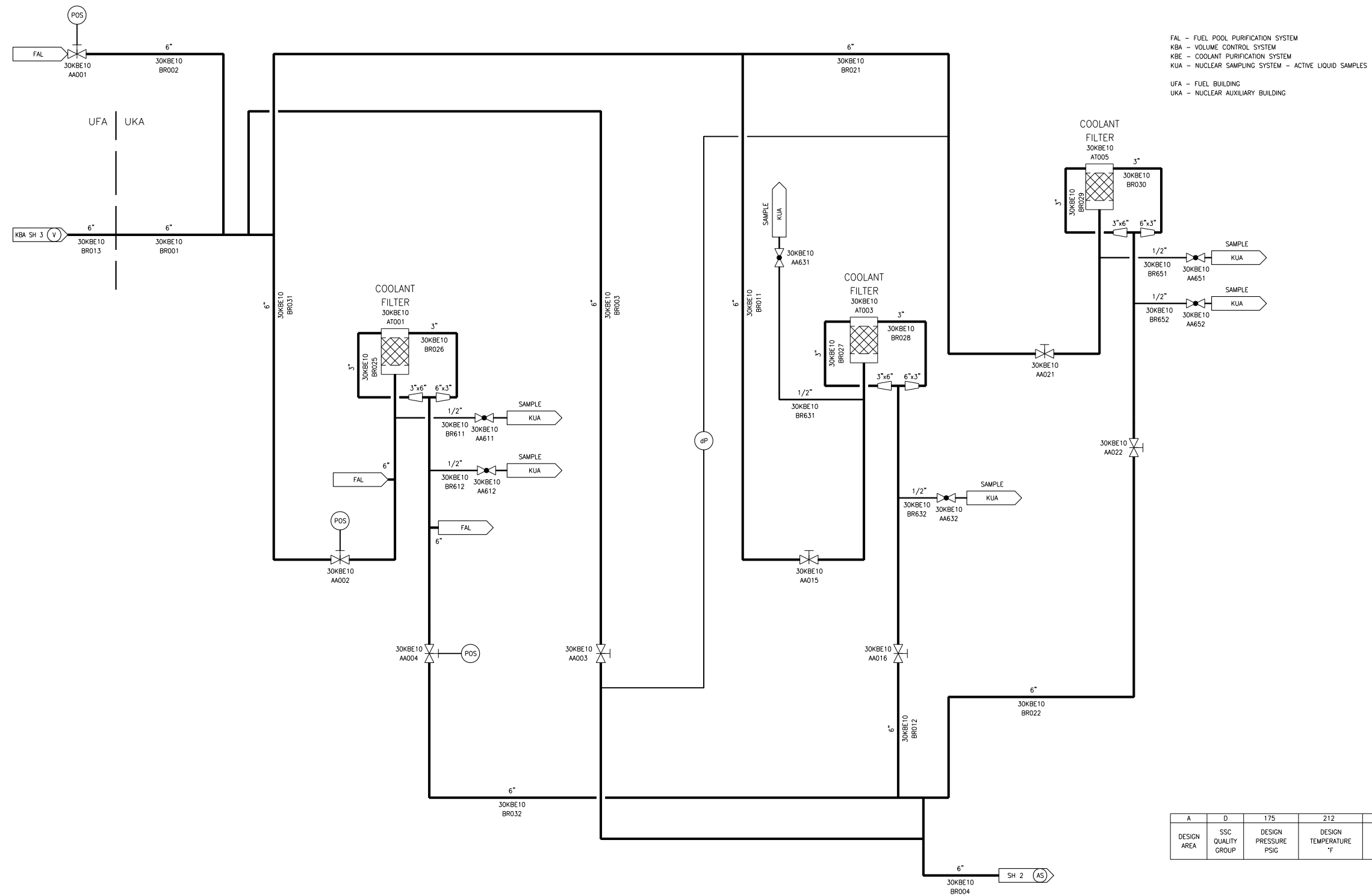
JEW02T2

Figure 9.3.4-1—Chemical and Volume Control System
Sheet 9 of 9



KBD01T2

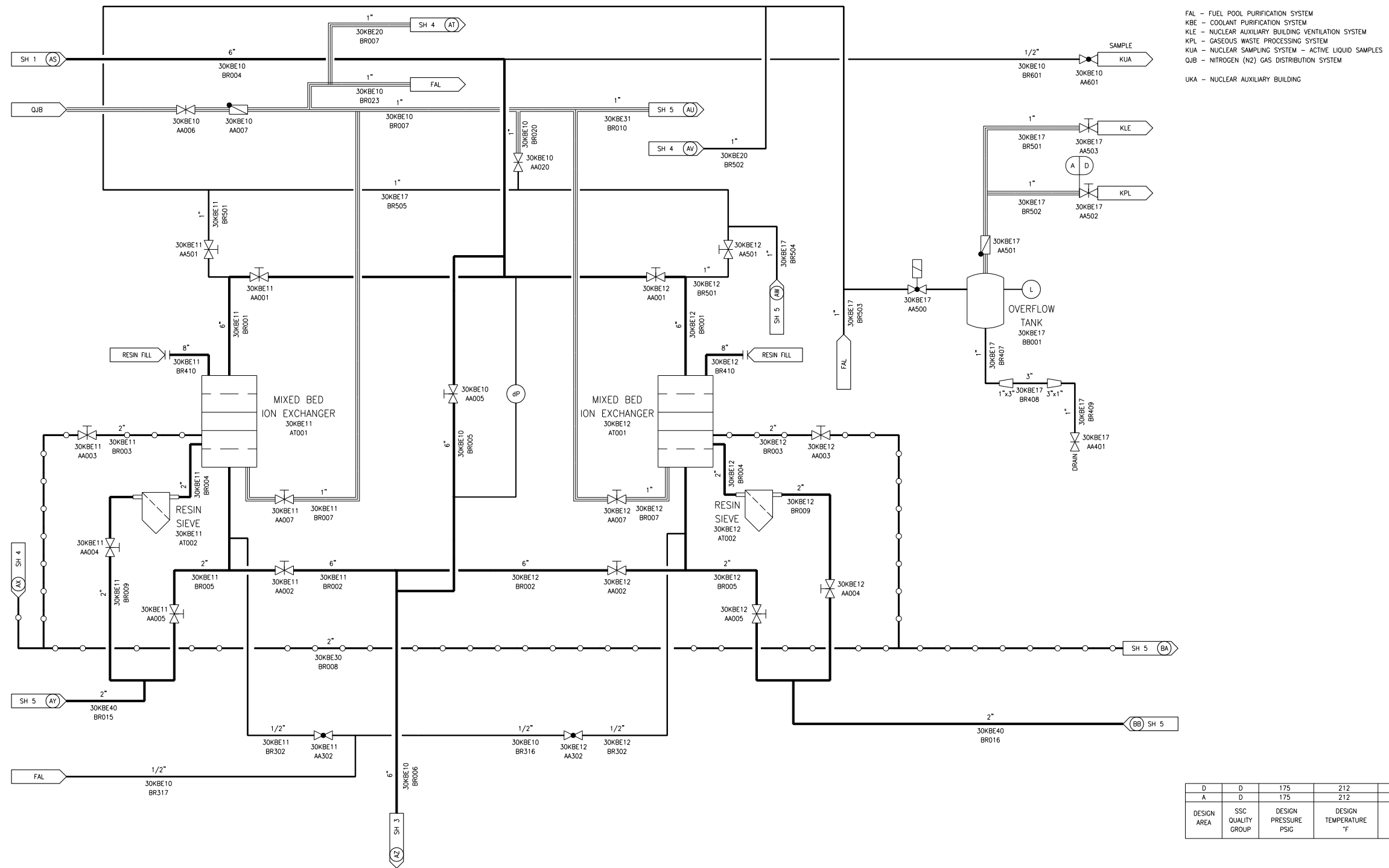
Figure 9.3.4-2—Coolant Purification System
Sheet 1 of 5



A	D	175	212	NSC
DESIGN AREA	SSC QUALITY GROUP	DESIGN PRESSURE PSIG	DESIGN TEMPERATURE °F	SSC SEISMIC CLASS

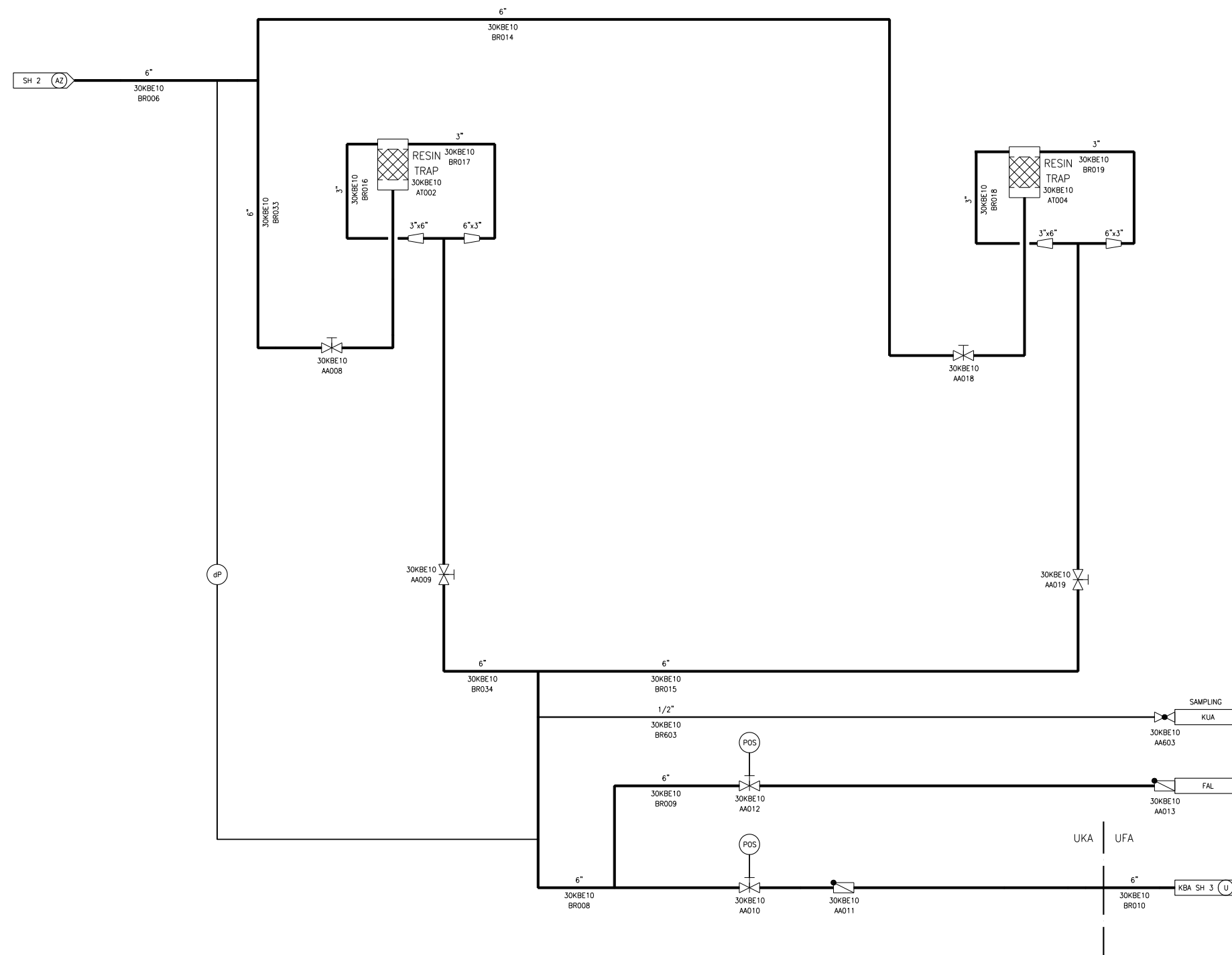
KBE01T2

Figure 9.3.4-2—Coolant Purification System
Sheet 2 of 5



KBE02T2

Figure 9.3.4-2—Coolant Purification System
Sheet 3 of 5

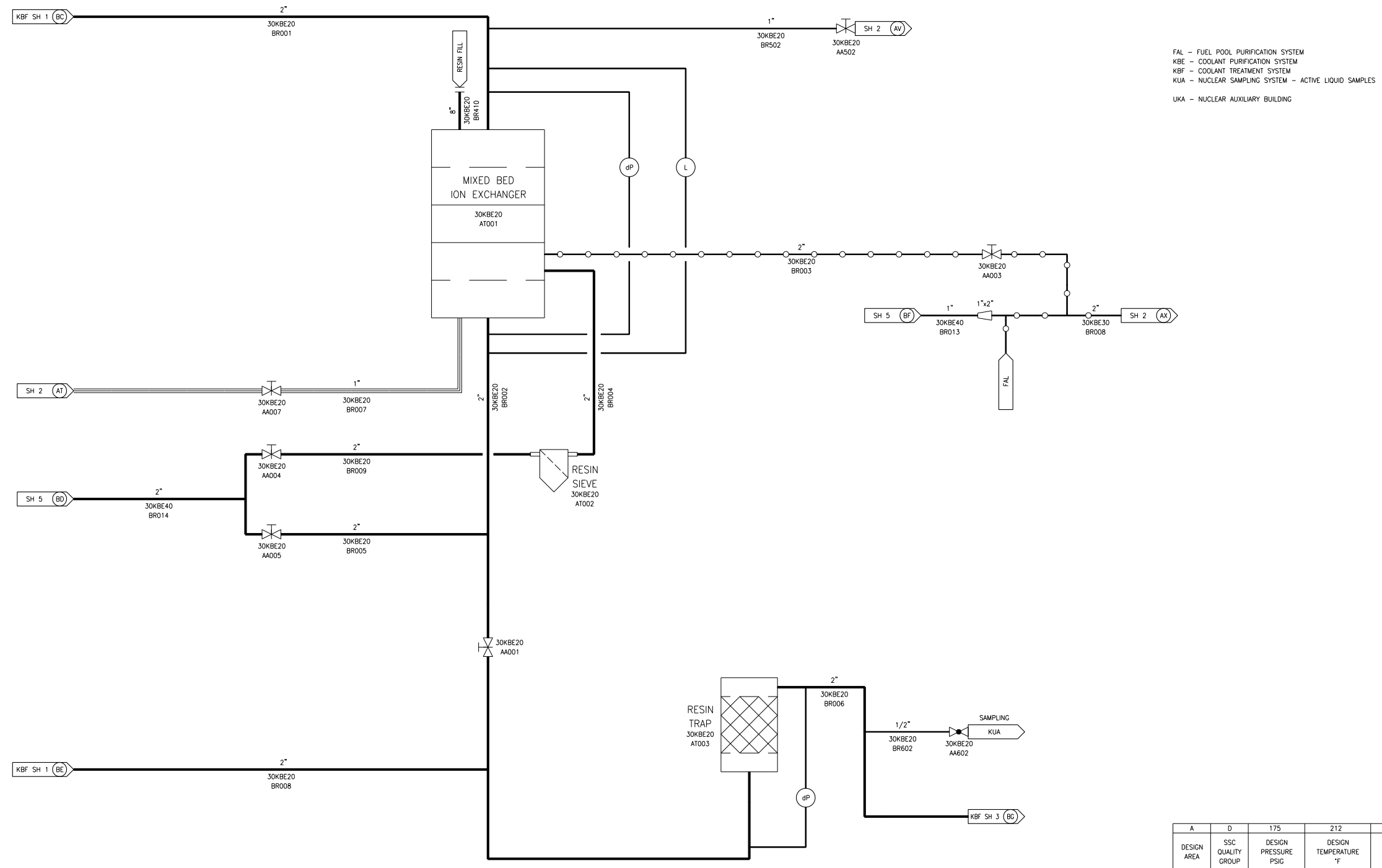


FAL - FUEL POOL PURIFICATION SYSTEM
 KBA - VOLUME CONTROL SYSTEM
 KBE - COOLANT PURIFICATION SYSTEM
 KUA - NUCLEAR SAMPLING SYSTEM - ACTIVE LIQUID SAMPLES
 UFA - FUEL BUILDING
 UKA - NUCLEAR AUXILIARY BUILDING

A	D	175	212	NSC
DESIGN AREA	SSC QUALITY GROUP	DESIGN PRESSURE PSIG	DESIGN TEMPERATURE °F	SSC SEISMIC CLASS

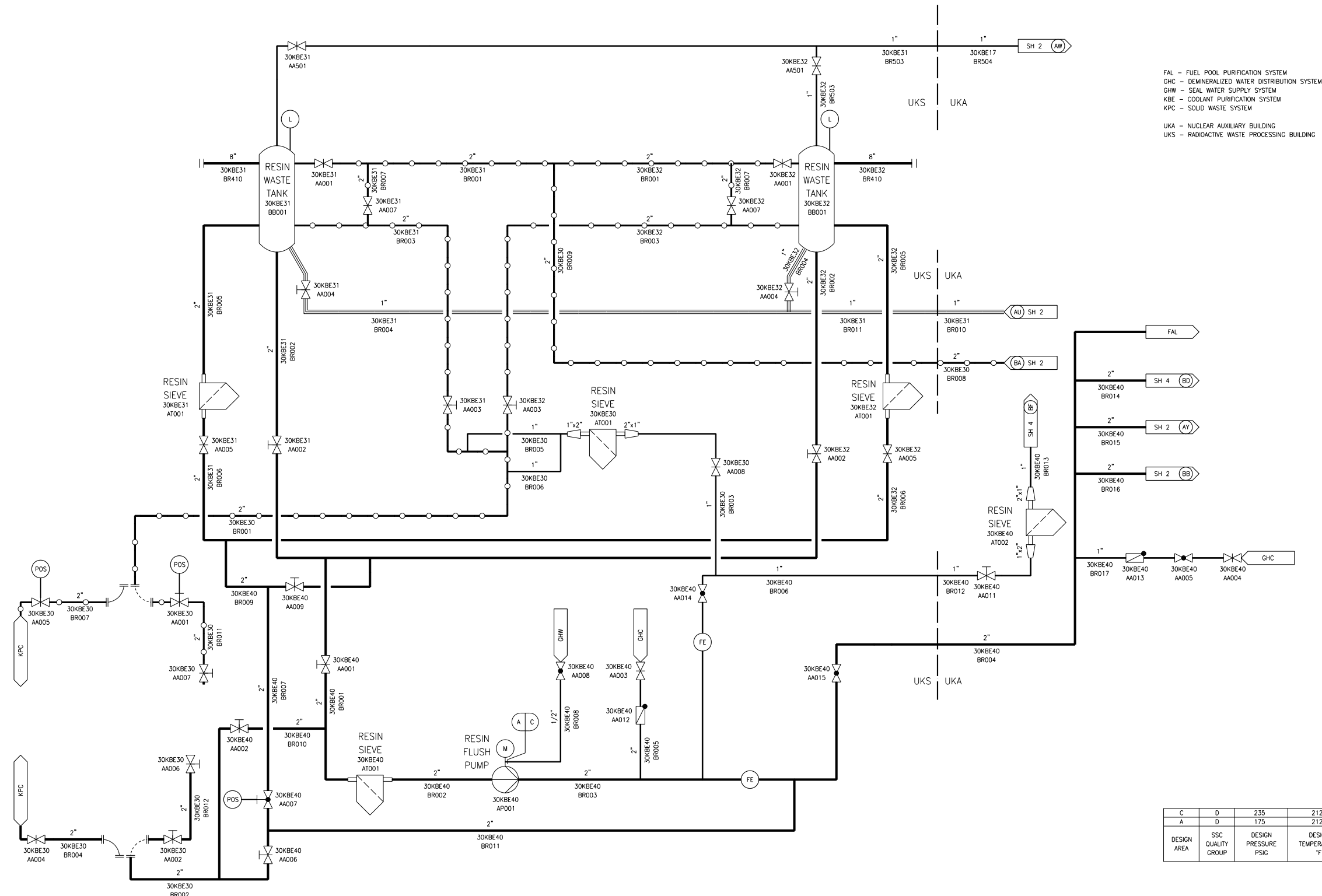
KBE03T2

Figure 9.3.4-2—Coolant Purification System
Sheet 4 of 5



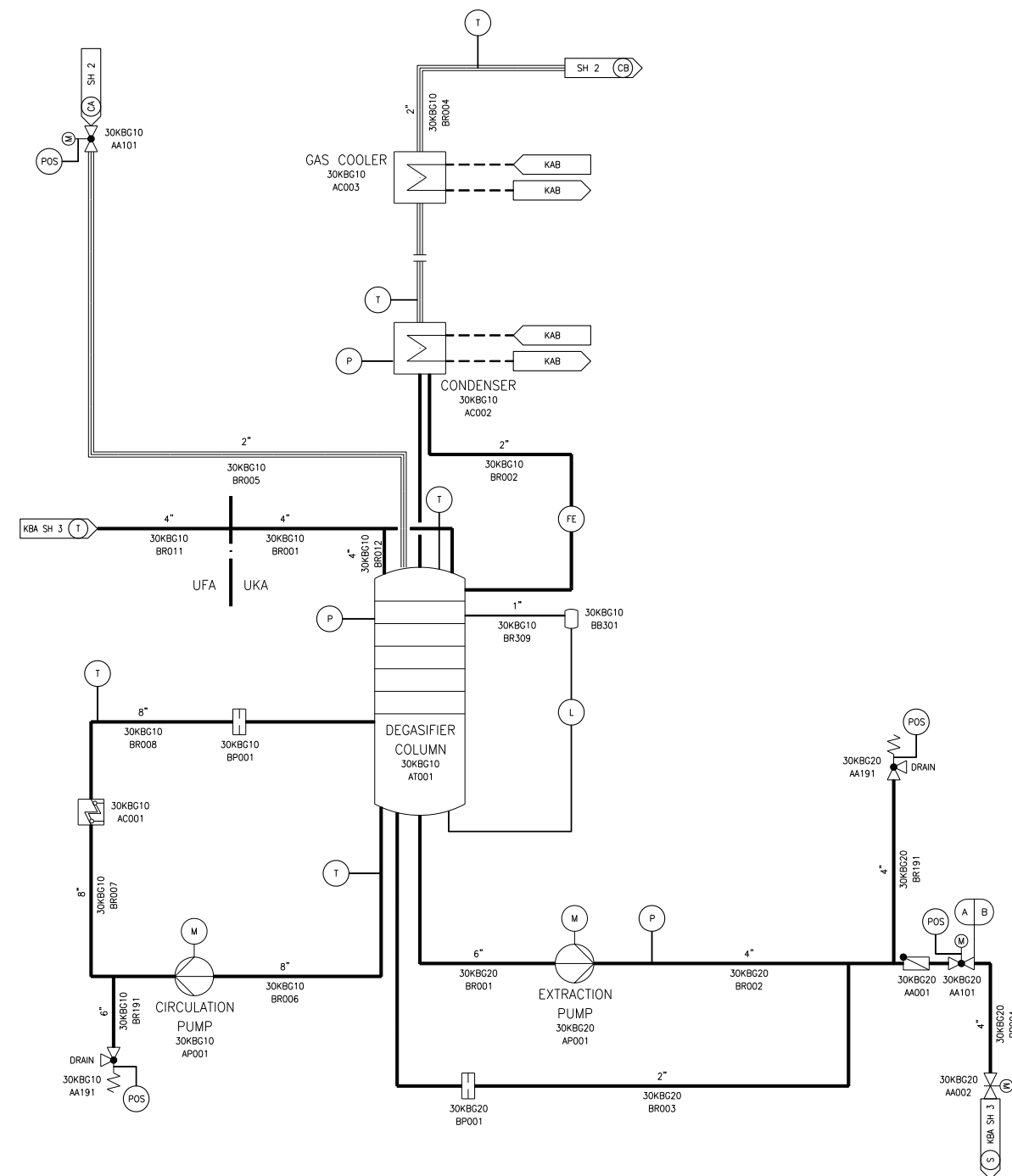
KBE04T2

Figure 9.3.4-2—Coolant Purification System
Sheet 5 of 5



KBE05T2

Figure 9.3.4-3—Coolant Degasification System
Sheet 1 of 2

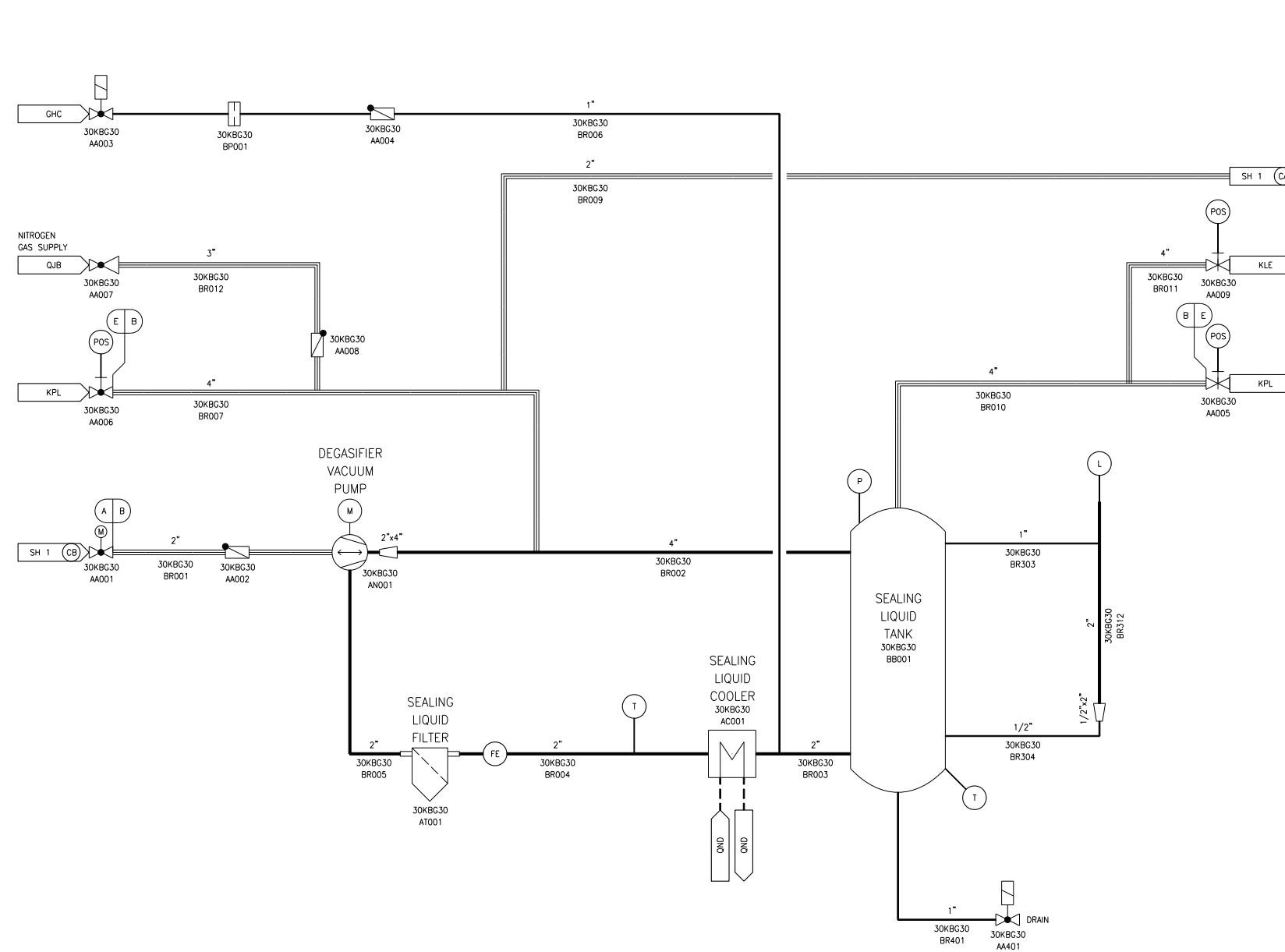


KAB - COMPONENT COOLING WATER SYSTEM COMMON HEADER
 KBA - VOLUME CONTROL SYSTEM
 KBG - COOLANT DEGASIFICATION SYSTEM
 UFA - FUEL BUILDING
 UKA - NUCLEAR AUXILIARY BUILDING

B	D	175	212	NSC
A	D	175	395	NSC
DESIGN AREA	SSC QUALITY GROUP	DESIGN PRESSURE PSIG	DESIGN TEMPERATURE °F	SSC SEISMIC CLASS

KBG01T2

Figure 9.3.4-3—Coolant Degasification System
Sheet 2 of 2

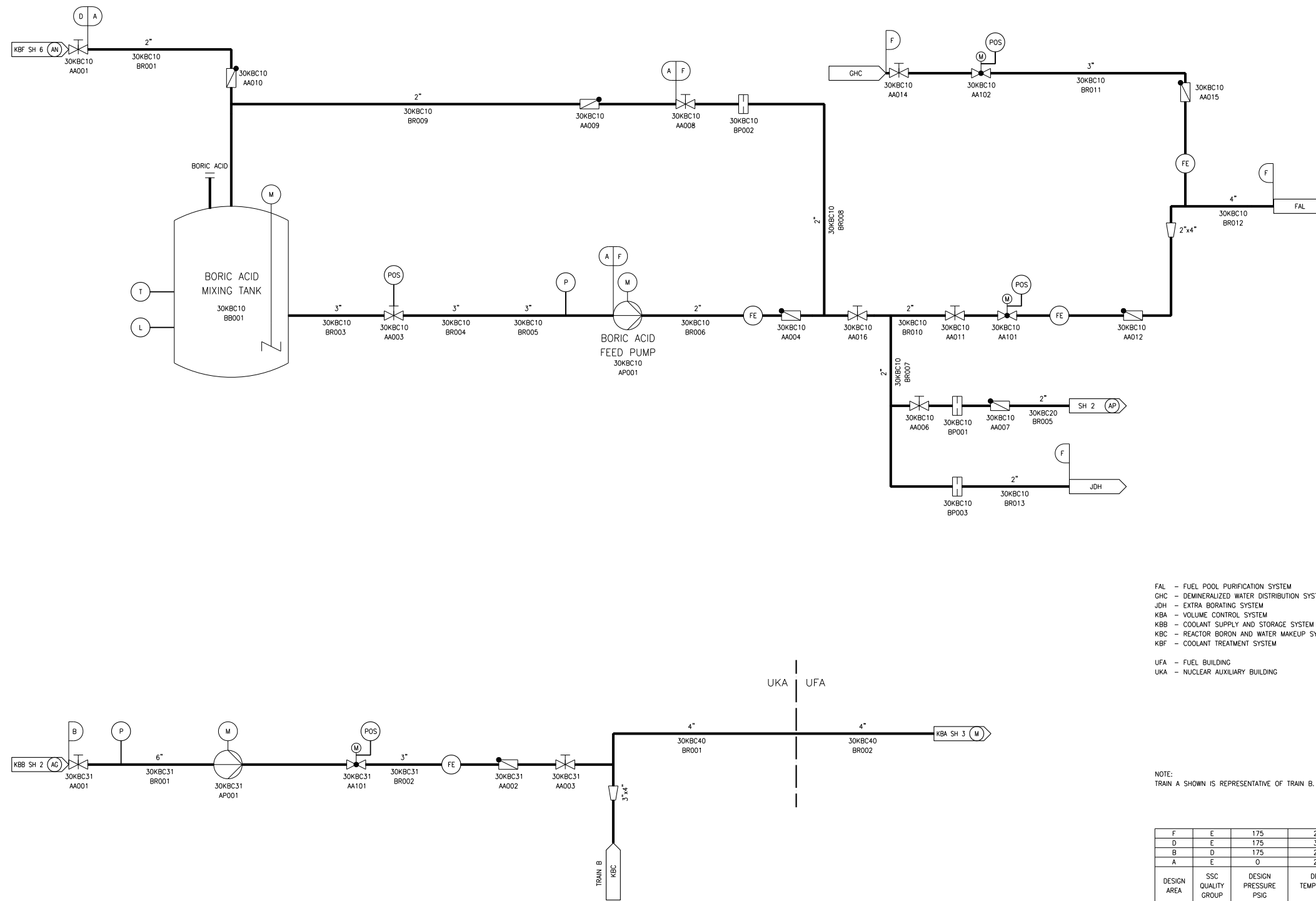


GHC - DEMINERALIZED WATER DISTRIBUTION SYSTEM
 KBG - COOLANT DEGASIFICATION SYSTEM
 KLE - NUCLEAR AUXILIARY BUILDING VENTILATION SYSTEM
 KPL - GASEOUS WASTE PROCESSING SYSTEM
 QJB - NITROGEN (N₂) GAS DISTRIBUTION SYSTEM
 OND - OPERATIONAL CHILLED WATER SYSTEM
 UKA - NUCLEAR AUXILIARY BUILDING

E	D	175	212	RS
B	D	175	212	NSC
A	D	175	395	NSC
DESIGN AREA	SSC QUALITY GROUP	DESIGN PRESSURE PSIG	DESIGN TEMPERATURE °F	SSC SEISMIC CLASS

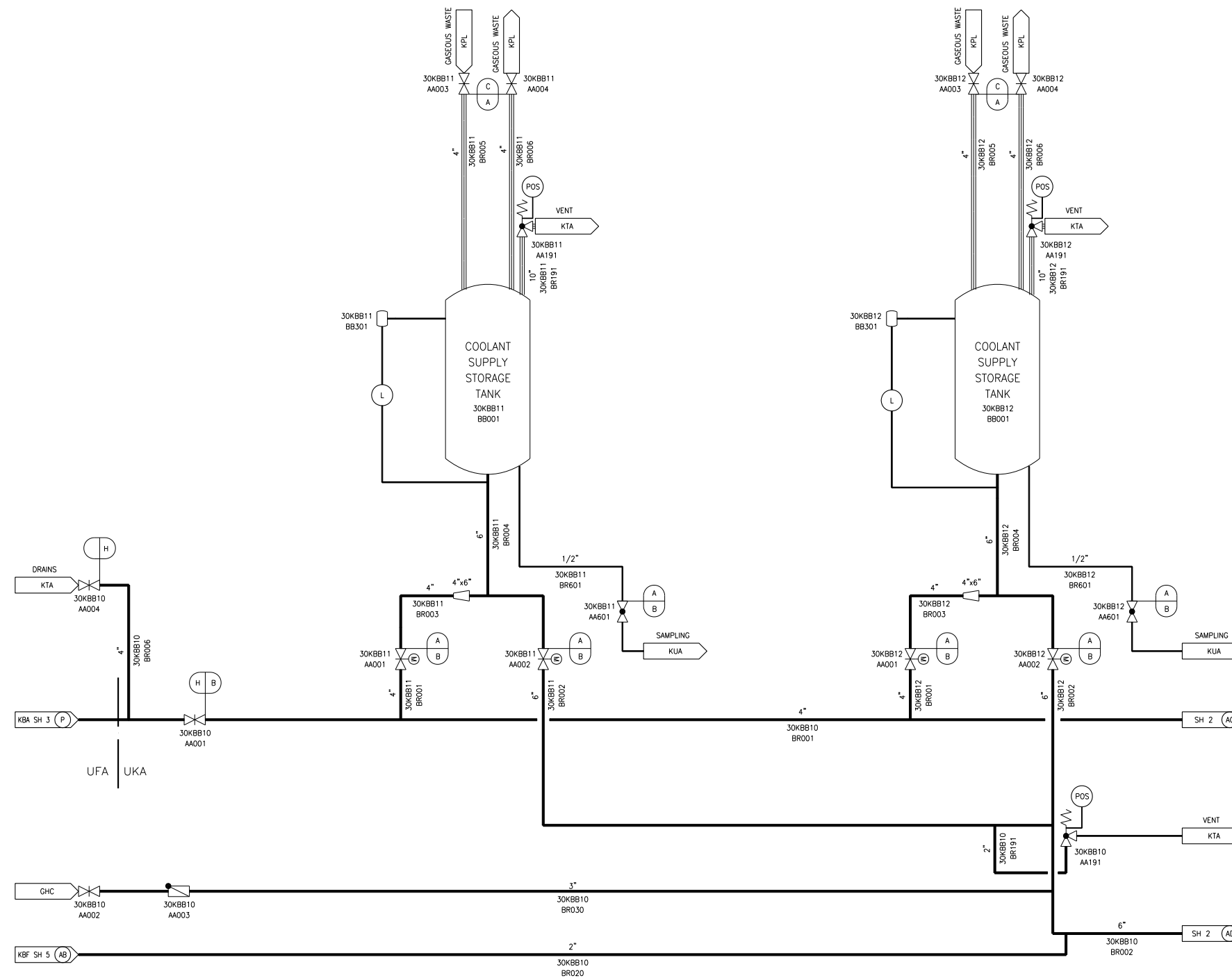
KBG02T2

Figure 9.3.4-4—Reactor Makeup and Inventory Control System
Sheet 1 of 2



KBC01T2

Figure 9.3.4-5—Coolant Supply and Storage System
Sheet 1 of 3

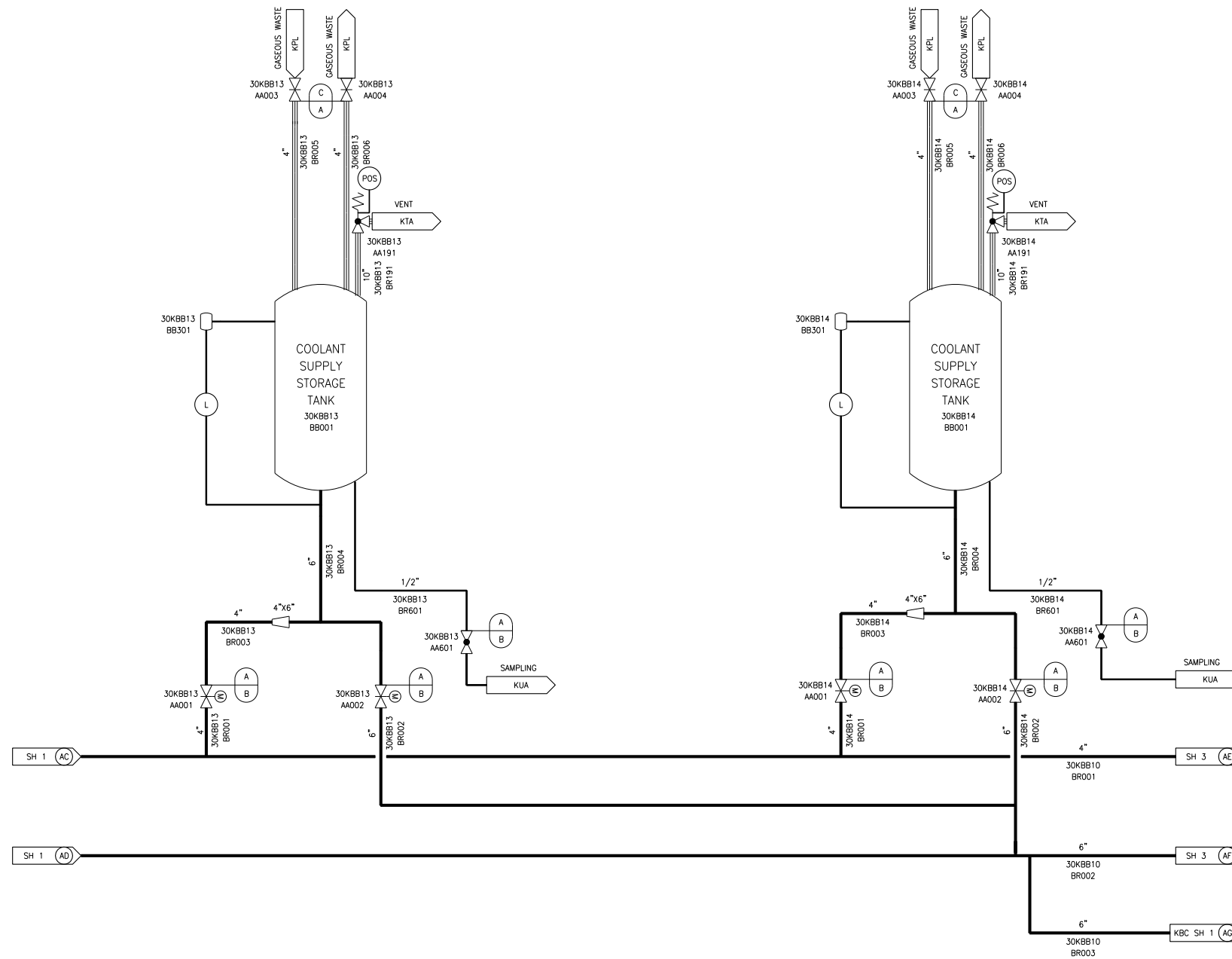


GHC - DEMINERALIZED WATER DISTRIBUTION SYSTEM
 KBA - VOLUME CONTROL SYSTEM
 KBB - COOLANT SUPPLY AND STORAGE SYSTEM
 KBF - COOLANT TREATMENT SYSTEM
 KPL - GASEOUS WASTE PROCESSING SYSTEM
 KTA - NUCLEAR ISLAND DRAIN AND VENT SYSTEMS - PRIMARY EFFLUENTS
 KUA - NUCLEAR SAMPLING SYSTEM - ACTIVE LIQUID SAMPLES
 UFA - FUEL BUILDING
 UKA - NUCLEAR AUXILIARY BUILDING

H	D	175	212	NSC
C	D	175	212	RS
B	D	175	212	NSC
A	D	45	212	NSC
DESIGN AREA	SSC QUALITY GROUP	DESIGN PRESSURE PSIG	DESIGN TEMPERATURE °F	SSC SEISMIC CLASS

KBB01T2

Figure 9.3.4-5—Coolant Supply and Storage System
Sheet 2 of 3

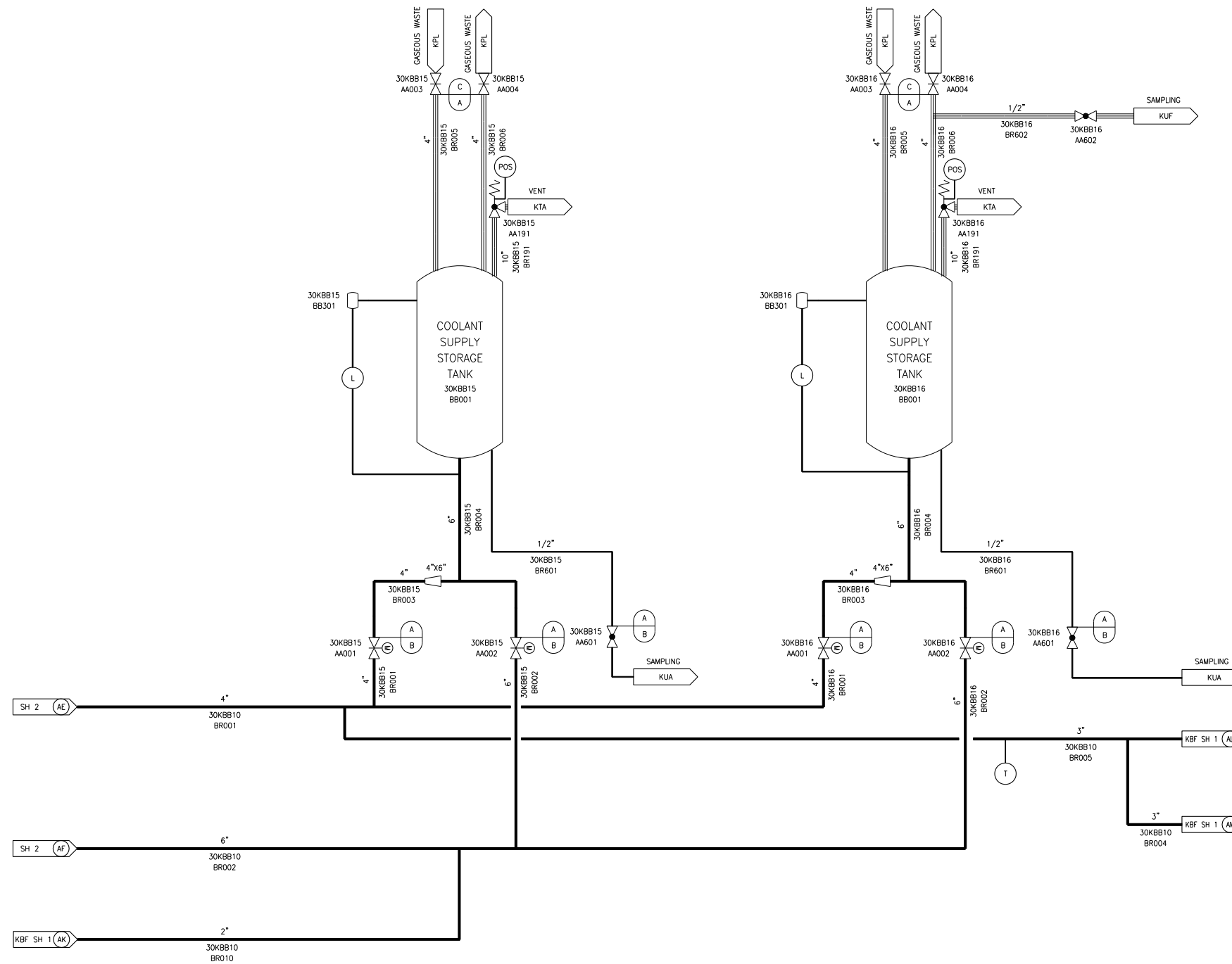


KBB - COOLANT SUPPLY AND STORAGE SYSTEM
 KBC - REACTOR BORON AND WATER MAKEUP SYSTEM
 KPL - GASEOUS WASTE PROCESSING SYSTEM
 KTA - NUCLEAR ISLAND DRAIN & VENT SYSTEMS - PRIMARY EFFLUENTS
 KUA - NUCLEAR SAMPLING SYSTEM - ACTIVE LIQUID SAMPLES
 UKA - NUCLEAR AUXILIARY BUILDING

C	D	175	212	RS
B	D	175	212	NSC
A	D	45	212	NSC
DESIGN AREA	SSC QUALITY GROUP	DESIGN PRESSURE PSIG	DESIGN TEMPERATURE °F	SSC SEISMIC CLASS

KBB02T2

Figure 9.3.4-5—Coolant Supply and Storage System
Sheet 3 of 3

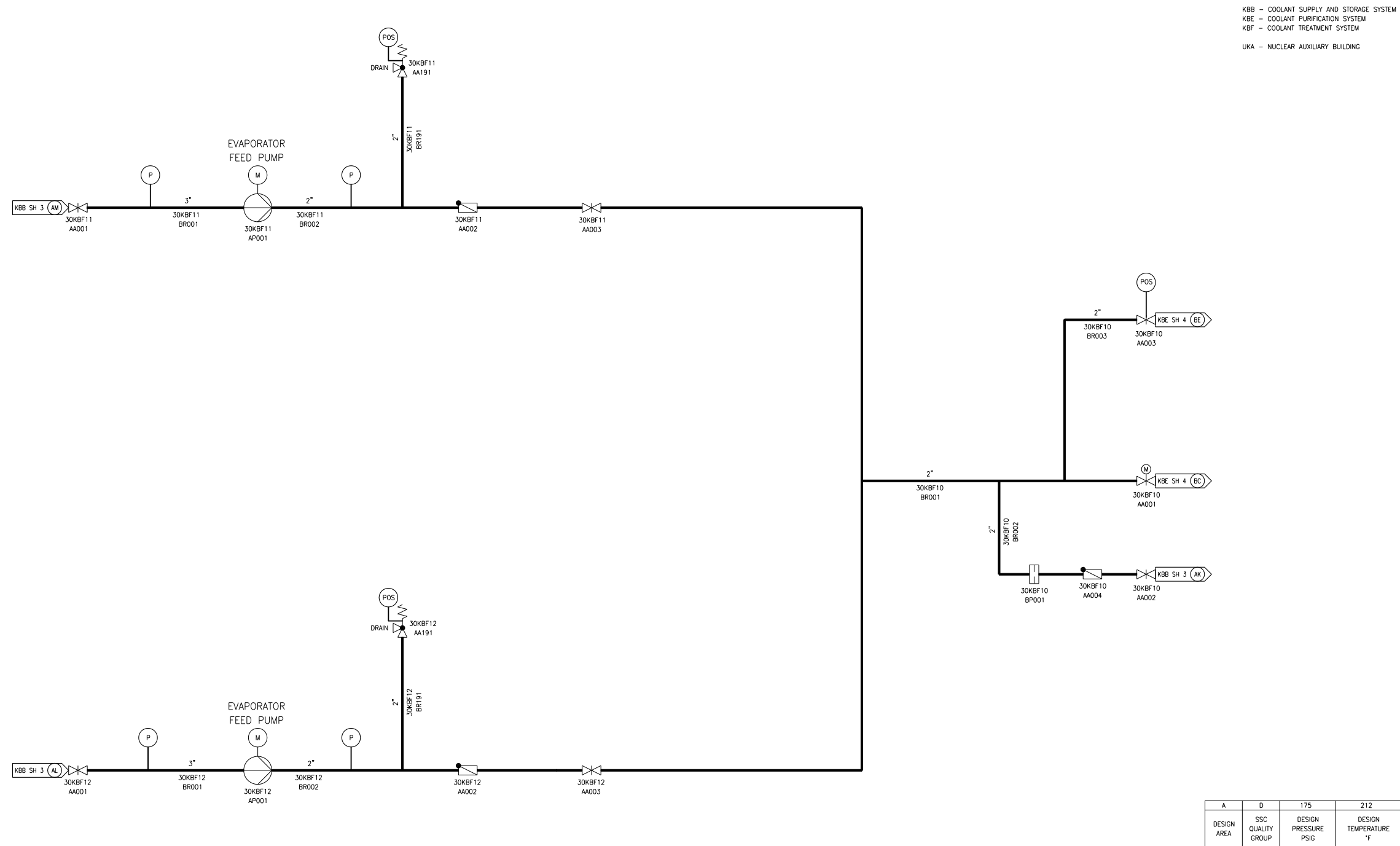


KBB - COOLANT SUPPLY AND STORAGE SYSTEM
 KBF - COOLANT TREATMENT SYSTEM
 KPL - GASEOUS WASTE PROCESSING SYSTEM
 KTA - NUCLEAR ISLAND DRAIN AND VENT SYSTEMS - PRIMARY EFFLUENTS
 KUA - NUCLEAR SAMPLING SYSTEM - ACTIVE LIQUID SAMPLES
 KUF - NUCLEAR SAMPLING SYSTEM - GASEOUS SAMPLES
 UKA - NUCLEAR AUXILIARY BUILDING

C	D	175	212	RS
B	D	175	212	NSC
A	D	45	212	NSC
DESIGN AREA	SSC QUALITY GROUP	DESIGN PRESSURE PSIG	DESIGN TEMPERATURE °F	SSC SEISMIC CLASS

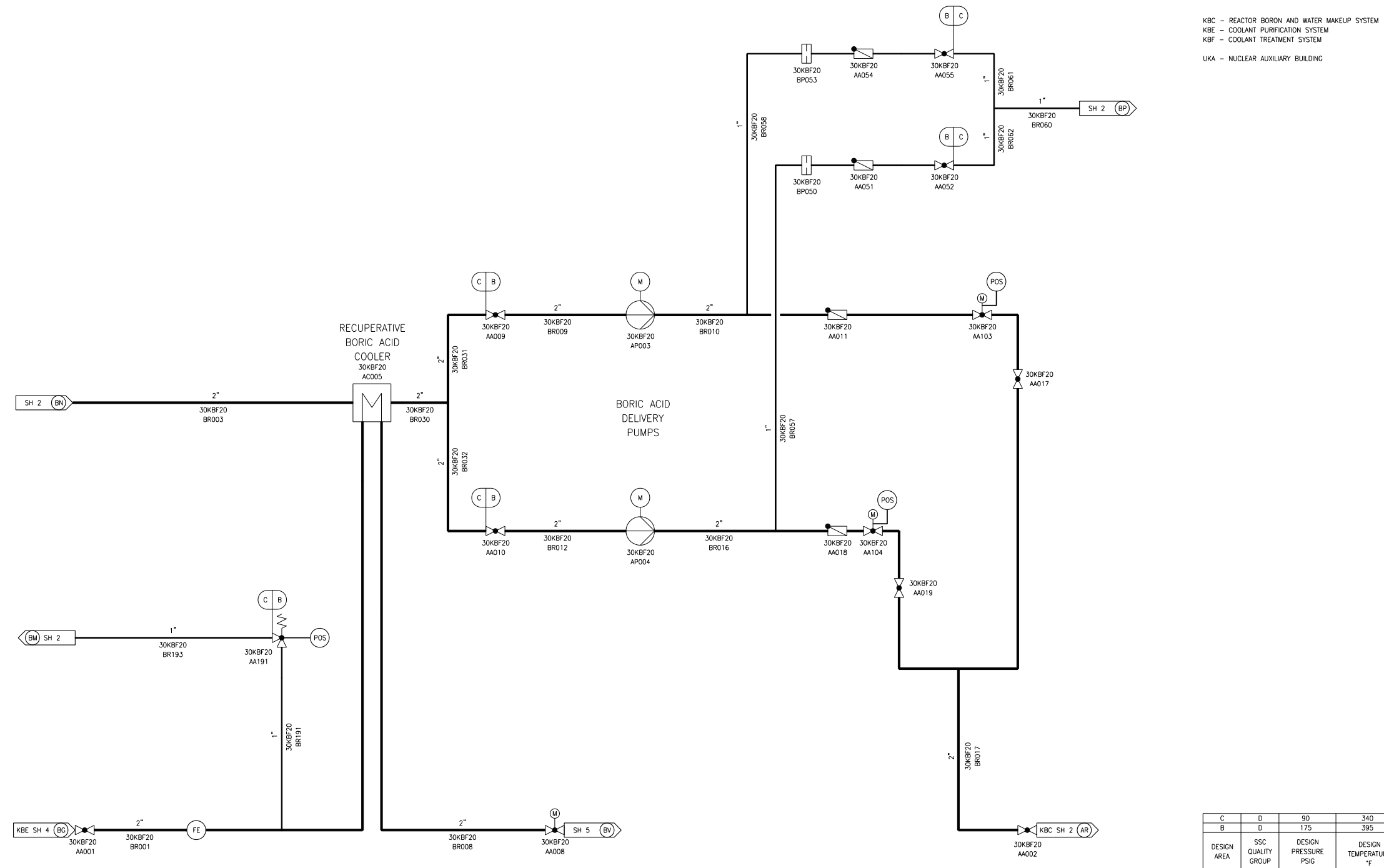
KBB03T2

Figure 9.3.4-6—Coolant Treatment System
Sheet 1 of 6



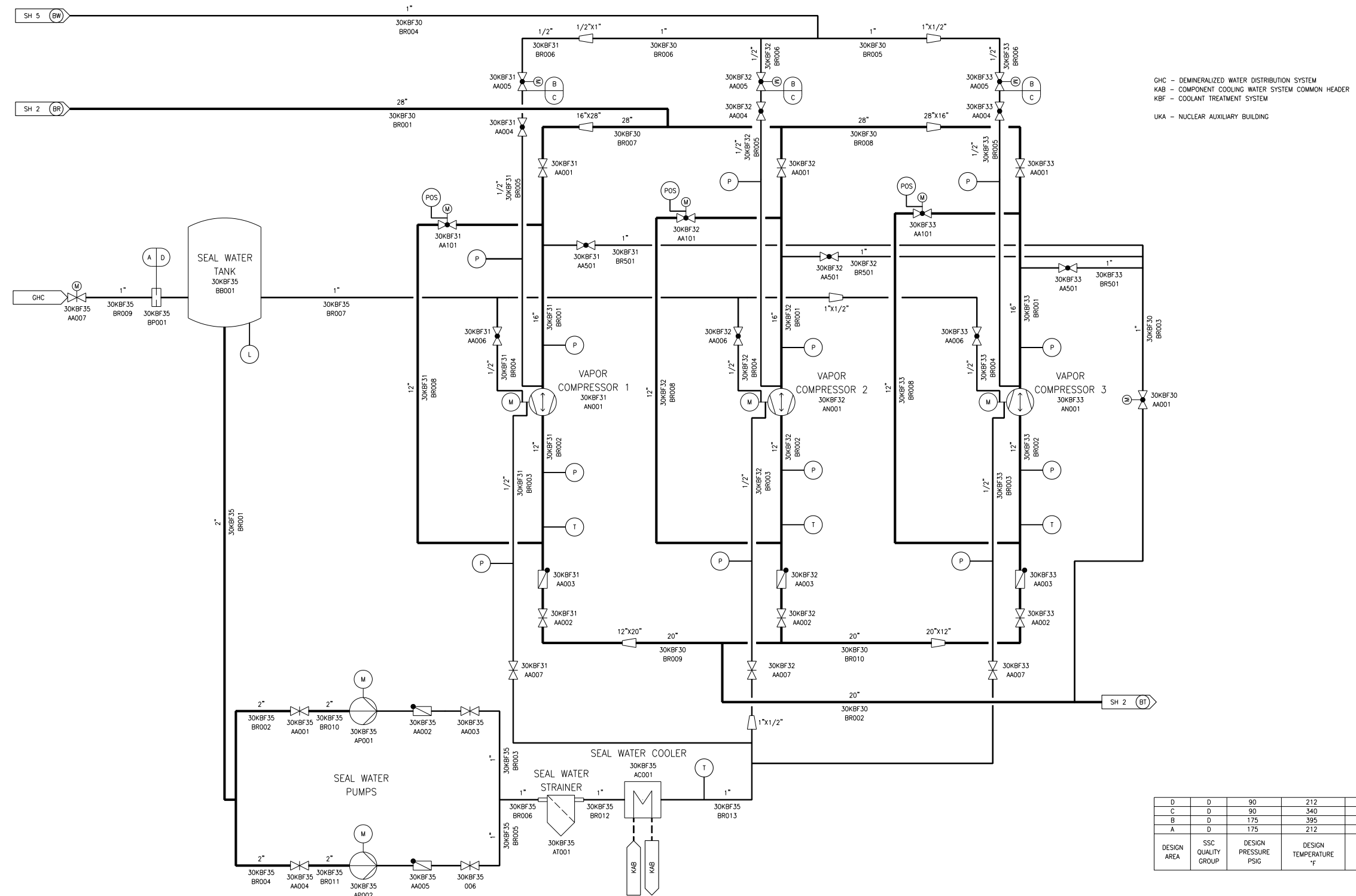
KBFO1T2

Figure 9.3.4-6—Coolant Treatment System
Sheet 3 of 6



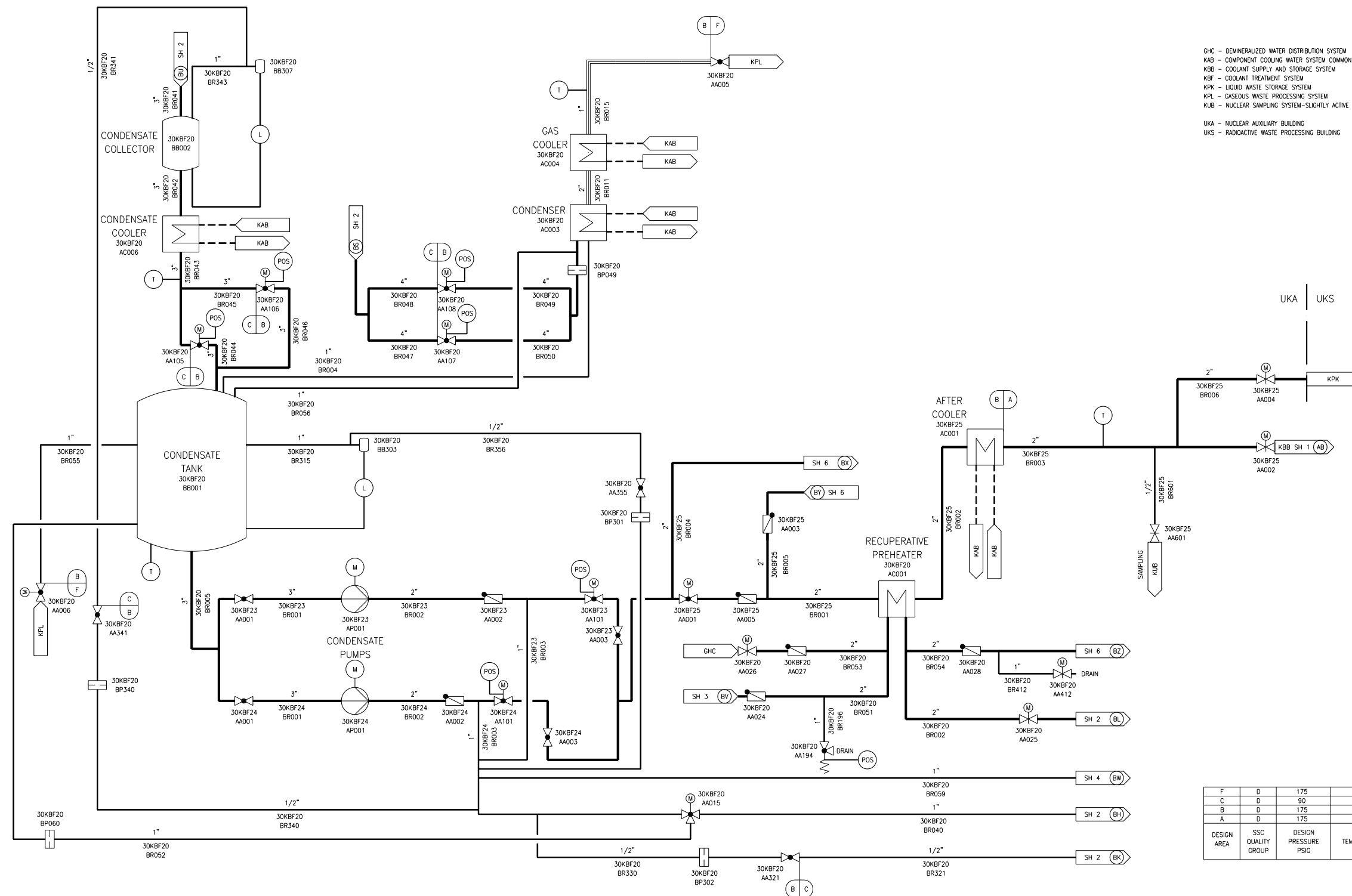
KBF03T2

Figure 9.3.4-6—Coolant Treatment System
Sheet 4 of 6



KBF04T2

Figure 9.3.4-6—Coolant Treatment System
Sheet 5 of 6



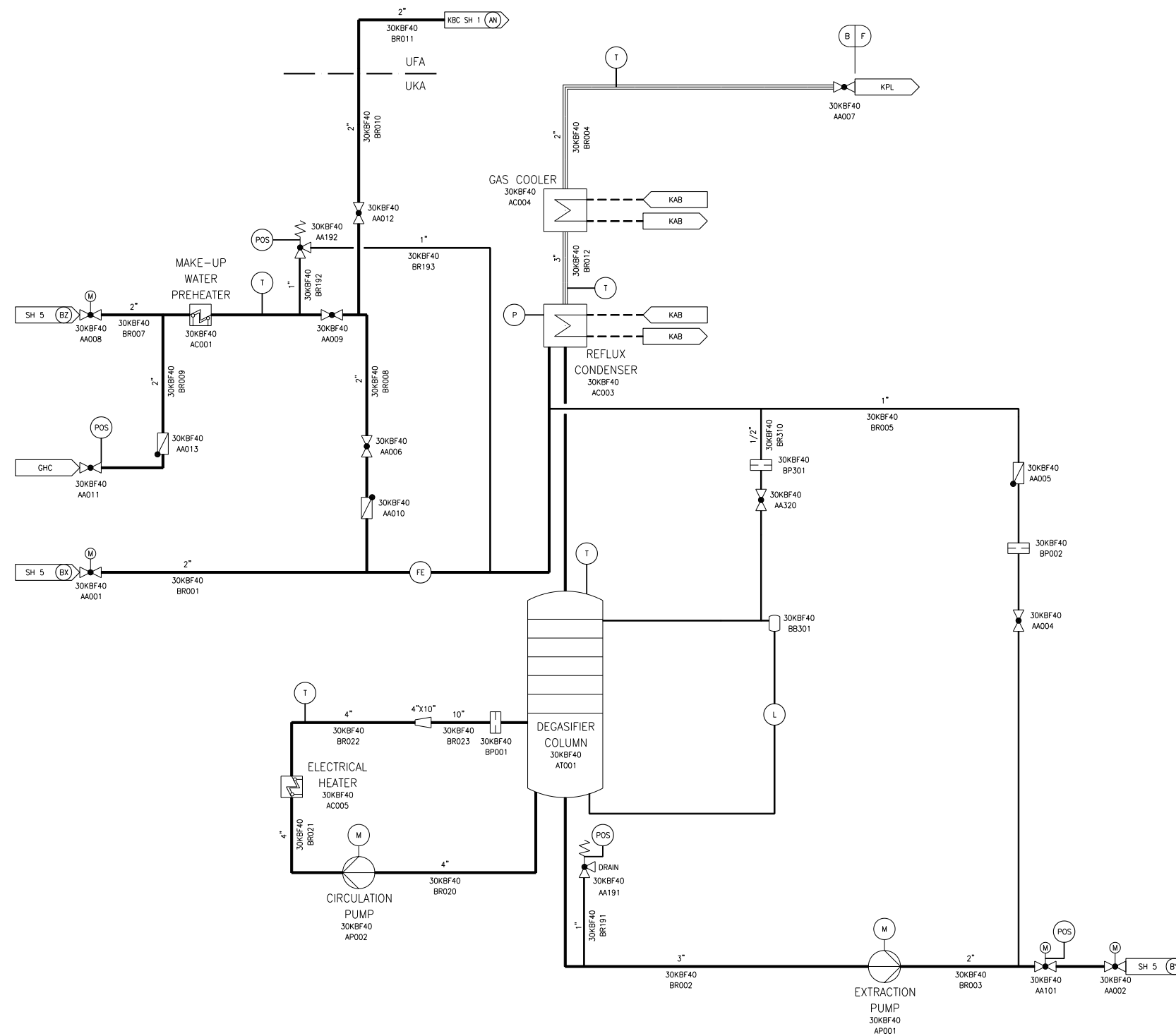
GHC - DEMINERALIZED WATER DISTRIBUTION SYSTEM
 KAB - COMPONENT COOLING WATER SYSTEM COMMON HEADER
 KBB - COOLANT SUPPLY AND STORAGE SYSTEM
 KBF - COOLANT TREATMENT SYSTEM
 KPL - LIQUID WASTE STORAGE SYSTEM
 KPS - GASEOUS WASTE PROCESSING SYSTEM
 KUB - NUCLEAR SAMPLING SYSTEM-SLIGHTLY ACTIVE LIQUID SAMPLES

UKA - NUCLEAR AUXILIARY BUILDING
 UKS - RADIOACTIVE WASTE PROCESSING BUILDING

F	D	175	395	RS
C	D	90	340	NSC
B	D	175	395	NSC
A	D	175	212	NSC
DESIGN AREA	SSC QUALITY GROUP	DESIGN PRESSURE PSIG	DESIGN TEMPERATURE °F	SSC SEISMIC CLASS

KBF05T2

Figure 9.3.4-6—Coolant Treatment System
Sheet 6 of 6



GHC - DEMINERALIZED WATER DISTRIBUTION SYSTEM
 KAB - COMPONENT COOLING WATER SYSTEM COMMON HEADER
 KBC - REACTOR BORON AND WATER MAKEUP SYSTEM
 KBF - COOLANT TREATMENT SYSTEM
 KPL - GASEOUS WASTE PROCESSING SYSTEM
 UFA - FUEL BUILDING
 UKA - NUCLEAR AUXILIARY BUILDING

F	D	175	395	RS
B	D	175	395	NSC
DESIGN AREA	SSC QUALITY GROUP	DESIGN PRESSURE PSIG	DESIGN TEMPERATURE °F	SSC SEISMIC CLASS

KBFO6T2