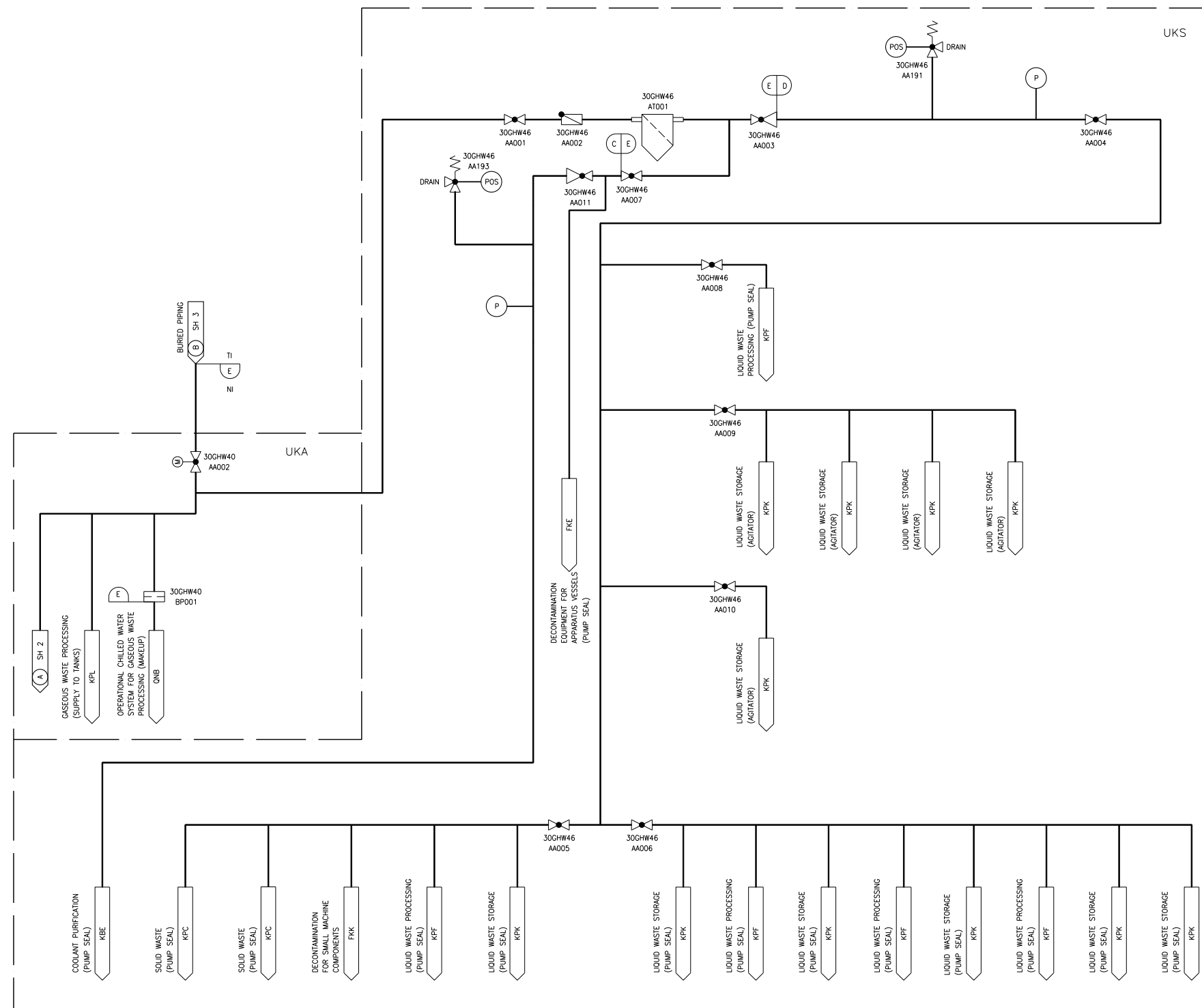


Figure 9.2.7-1—Seal Water Supply System
Sheet 1 of 3



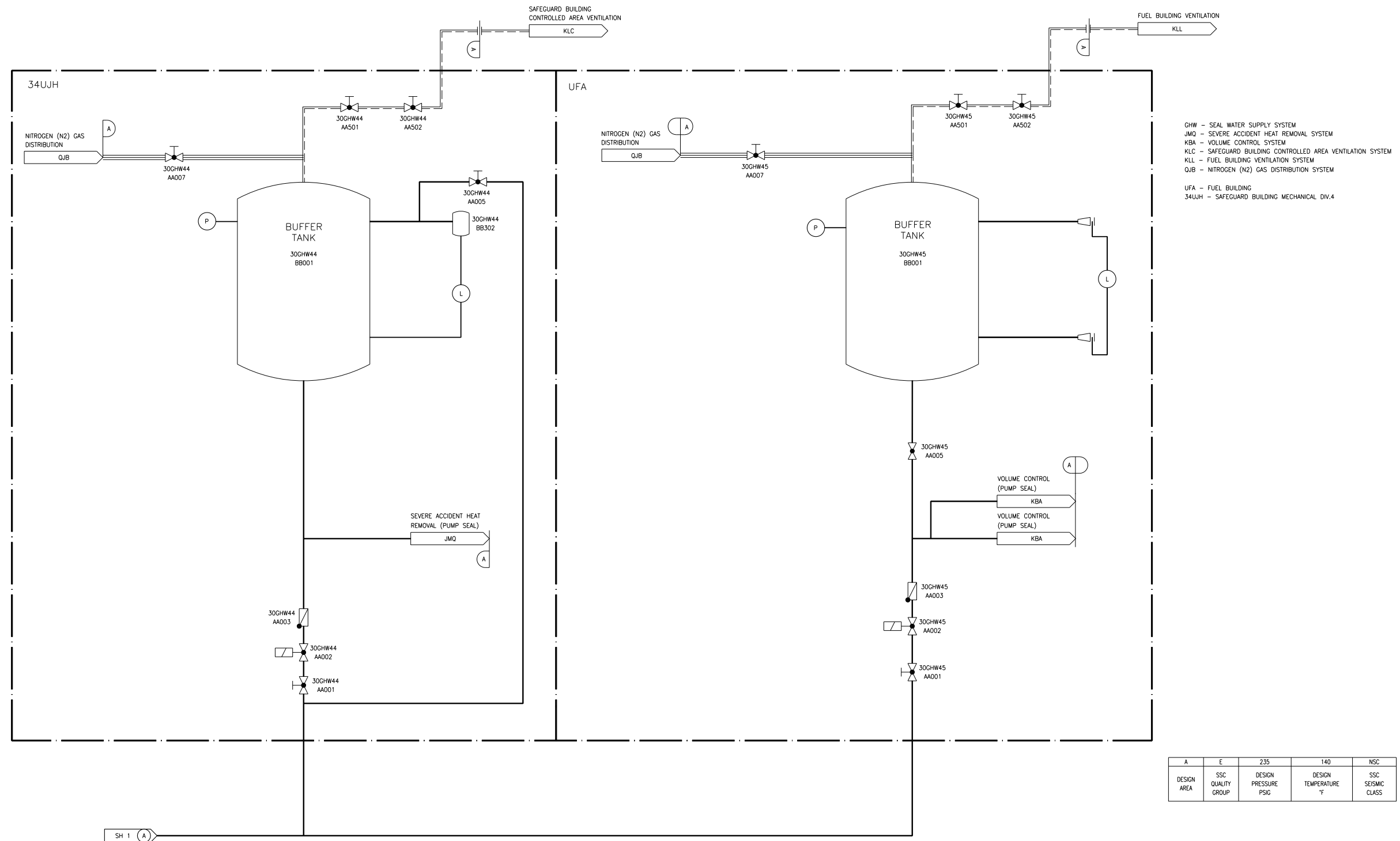
FKE - DECONTAMINATION EQUIPMENT FOR APPARATUS AND VESSELS
 FKK - DECONTAMINATION SYSTEM FOR SMALL MACHINE COMPONENTS
 GHW - SEAL WATER SUPPLY SYSTEM
 KBE - COOLANT PURIFICATION SYSTEM
 KPC - SOLID WASTE SYSTEM
 KPL - GASEOUS WASTE PROCESSING SYSTEM
 KPF - LIQUID WASTE PROCESSING SYSTEM
 KPK - LIQUID WASTE STORAGE SYSTEM
 QNB - OPERATIONAL CHILLED WATER SYSTEM FOR GASEOUS WASTE PROCESSING SYSTEM

 UKA - NUCLEAR AUXILIARY BUILDING
 UKS - RADIOACTIVE WASTE PROCESSING BUILDING

E	E	235	140	NSC
D	E	235	140	NSC
C	E	235	140	NSC
DESIGN AREA	SSC QUALITY GROUP	DESIGN PRESSURE PSIG	DESIGN TEMPERATURE °F	SSC SEISMIC CLASS

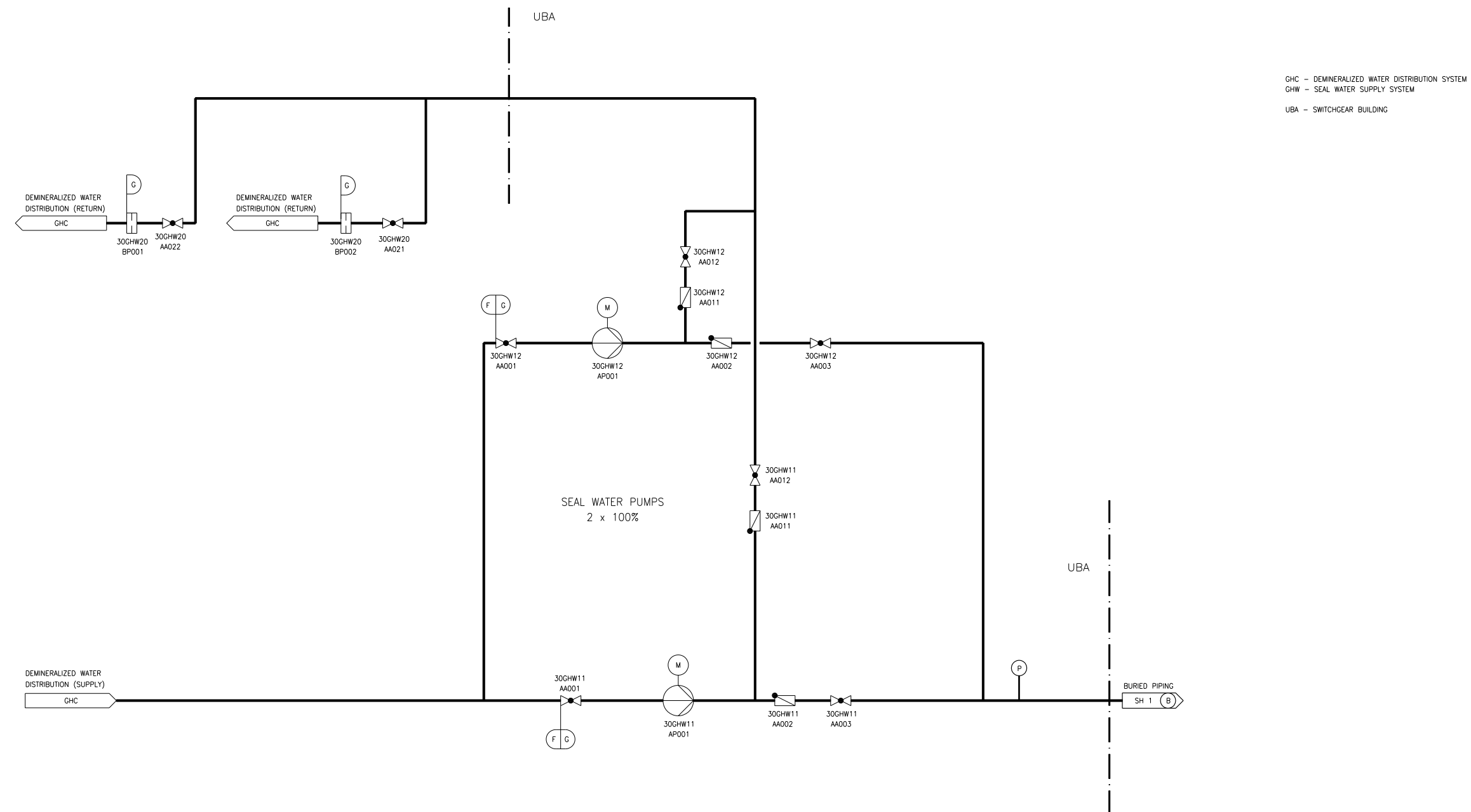
GHW01T2

Figure 9.2.7-1—Seal Water Supply System
Sheet 2 of 3



GHW02T2

Figure 9.2.7-1—Seal Water Supply System
Sheet 3 of 3



G	E	235	140	NSC
F	E	235	140	NSC
DESIGN AREA	SSC QUALITY GROUP	DESIGN PRESSURE PSIG	DESIGN TEMPERATURE °F	SSC SEISMIC CLASS

GHWO3T2