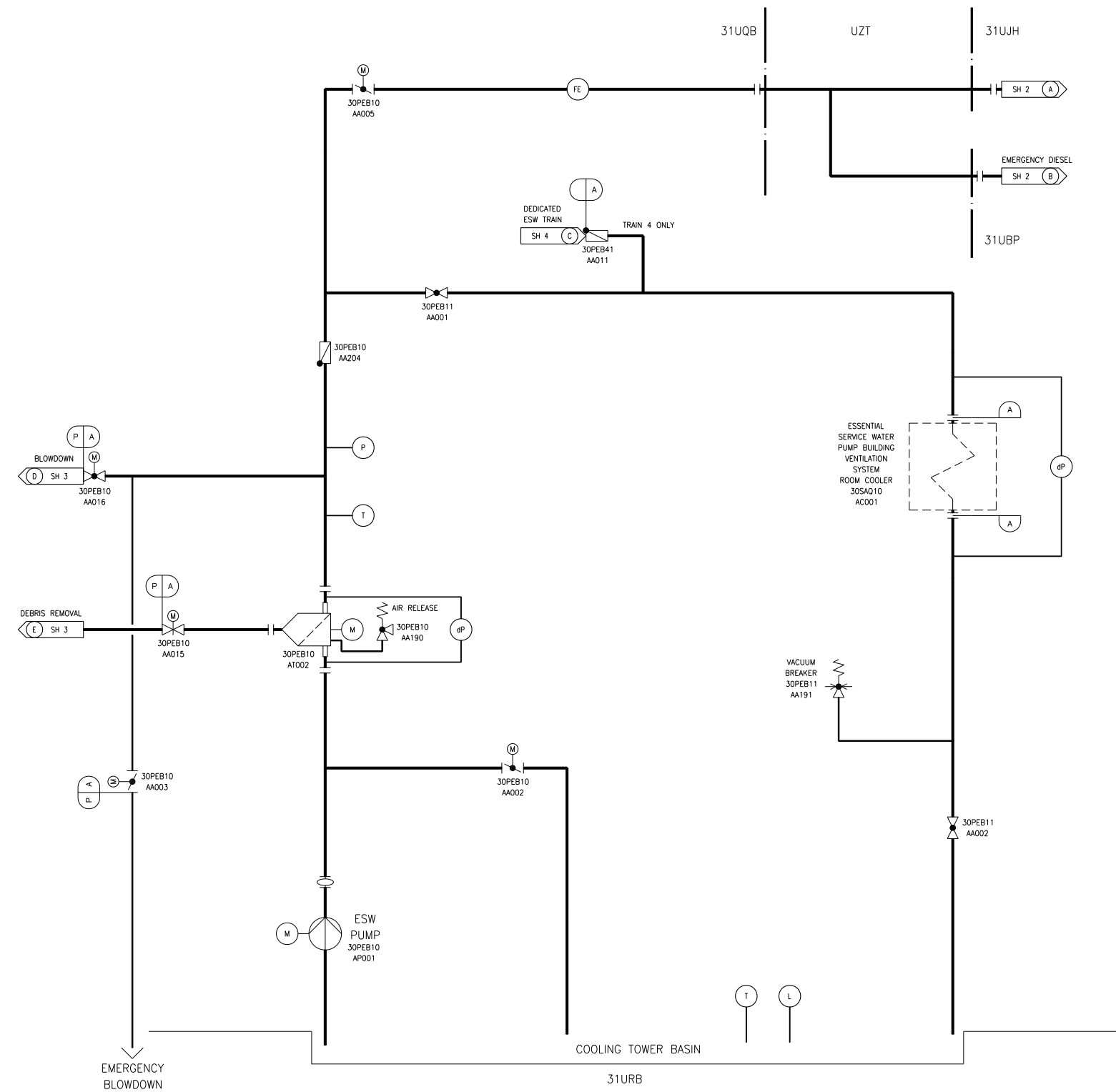


Figure 9.2.1-1—Essential Service Water System Piping & Instrumentation Diagram
Sheet 1 of 4



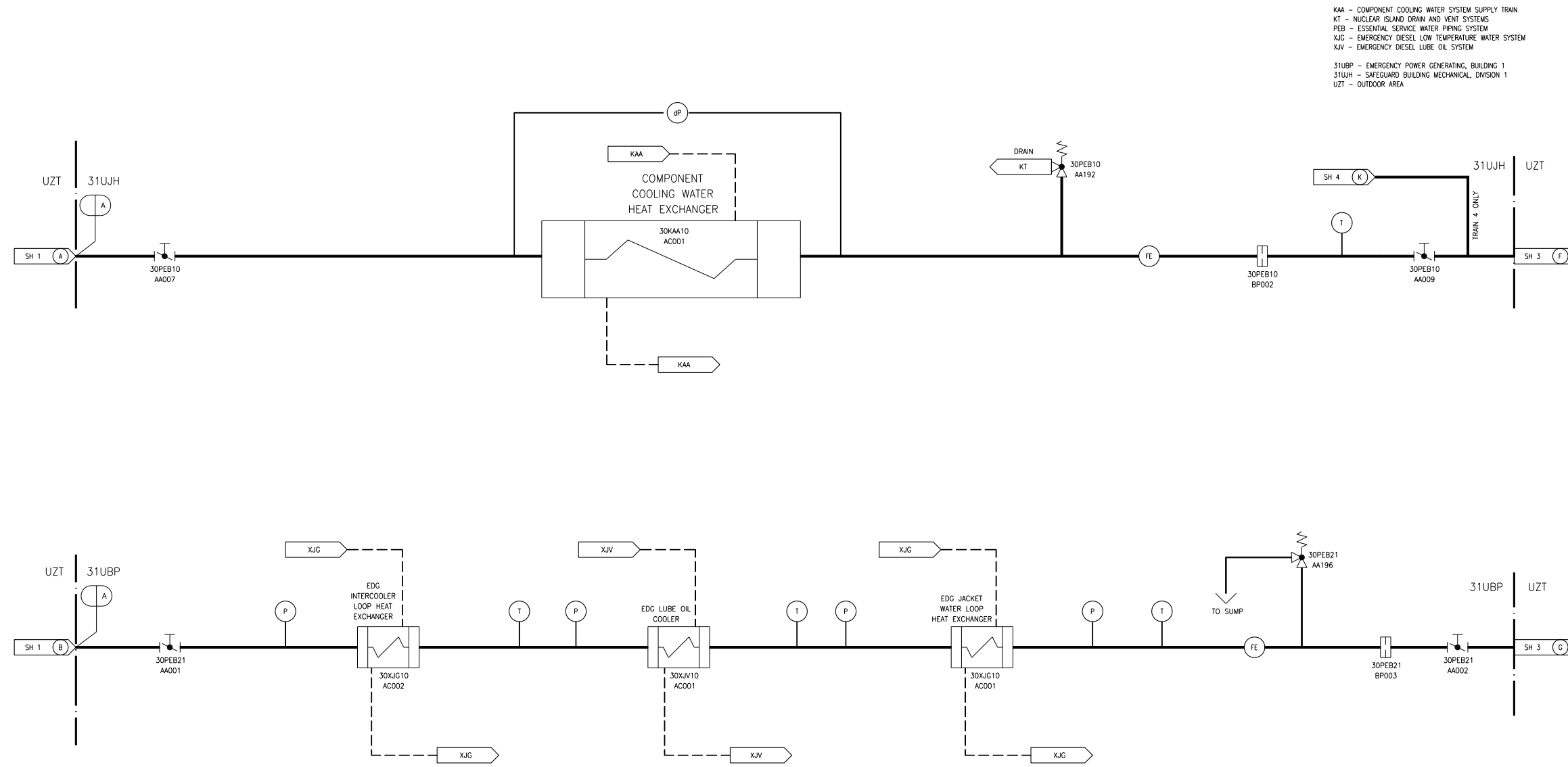
PEB - ESSENTIAL SERVICE WATER PIPING SYSTEM
 SAQ - ESSENTIAL SERVICE WATER PUMP BUILDING VENTILATION SYSTEM
 31URB - EMERGENCY POWER GENERATING, BUILDING 1
 31UJH - SAFEGUARD BUILDING MECHANICAL, DIVISION 1
 31UQB - ESSENTIAL SERVICE WATER PUMP, BUILDING 1
 31URB - ESSENTIAL SERVICE WATER COOLING TOWER STRUCTURE, DIVISION 1
 UZT - OUTDOOR AREA

NOTE:
 1. TRAIN 1 SHOWN IS REPRESENTATIVE OF TRAINS 2, 3 AND 4, WITH EXCEPTIONS AS NOTED.

P	E	NSC
A	C	J
DESIGN AREA	SSC QUALITY GROUP	SSC SEISMIC CLASS

PEB01T2

Figure 9.2.1-1—Essential Service Water Piping & Instrumentation Diagram
Sheet 2 of 4



KAA - COMPONENT COOLING WATER SYSTEM SUPPLY TRAIN
 KT - NUCLEAR ISLAND DRAIN AND VENT SYSTEMS
 PE - ESSENTIAL SERVICE WATER PIPING SYSTEM
 XJG - EMERGENCY DIESEL LOW TEMPERATURE WATER SYSTEM
 XJV - EMERGENCY DIESEL LUBE OIL SYSTEM

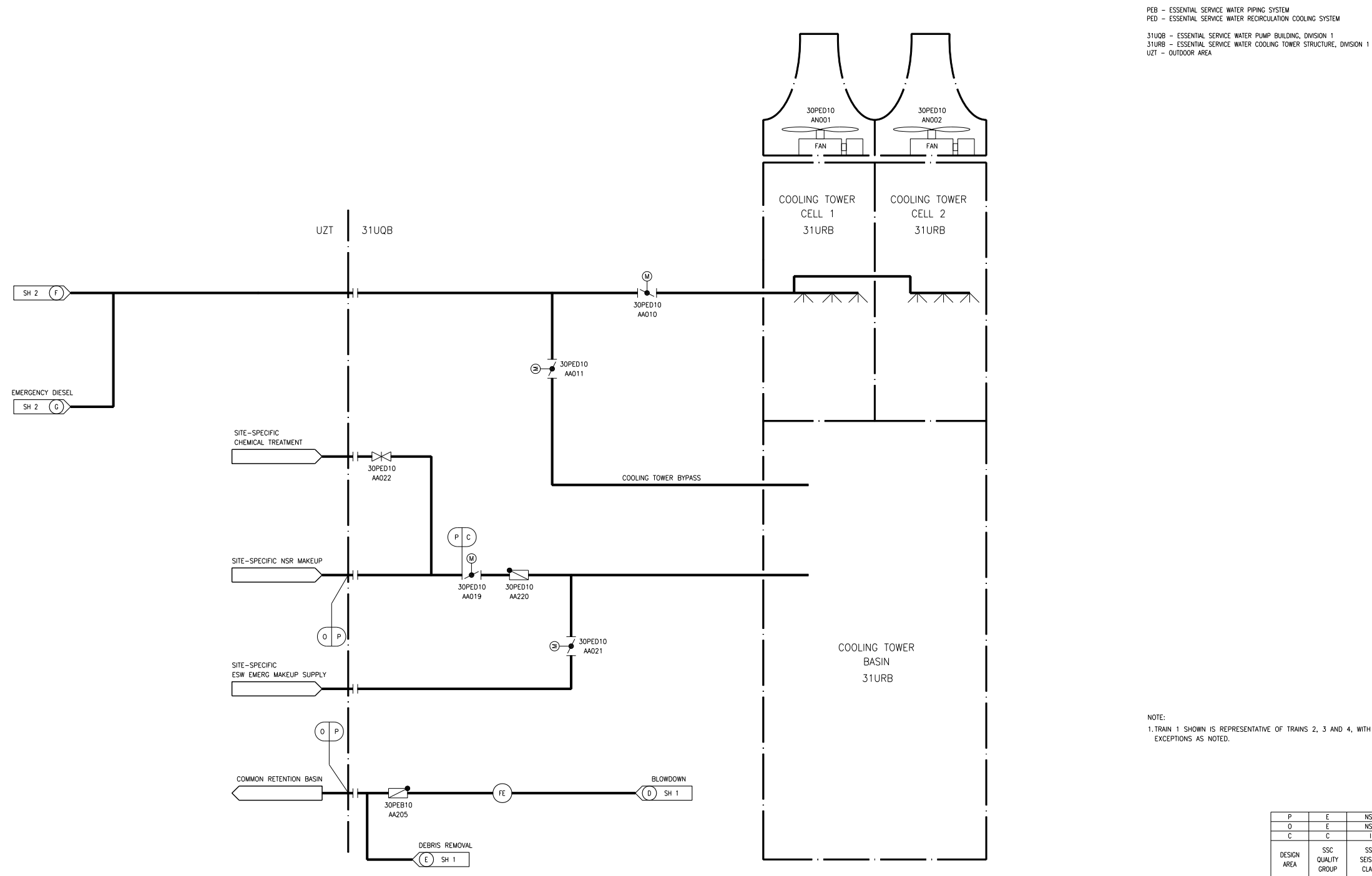
31UBP - EMERGENCY POWER GENERATING, BUILDING 1
 31UJH - SAFEGUARD BUILDING MECHANICAL, DIVISION 1
 UZT - OUTDOOR AREA

NOTE:
 1. TRAIN 1 SHOWN IS REPRESENTATIVE OF TRAINS 2, 3 AND 4, WITH EXCEPTIONS AS NOTED.

A	C	I
DESIGN AREA	SSC QUALITY GROUP	SSC SEISMIC CLASS

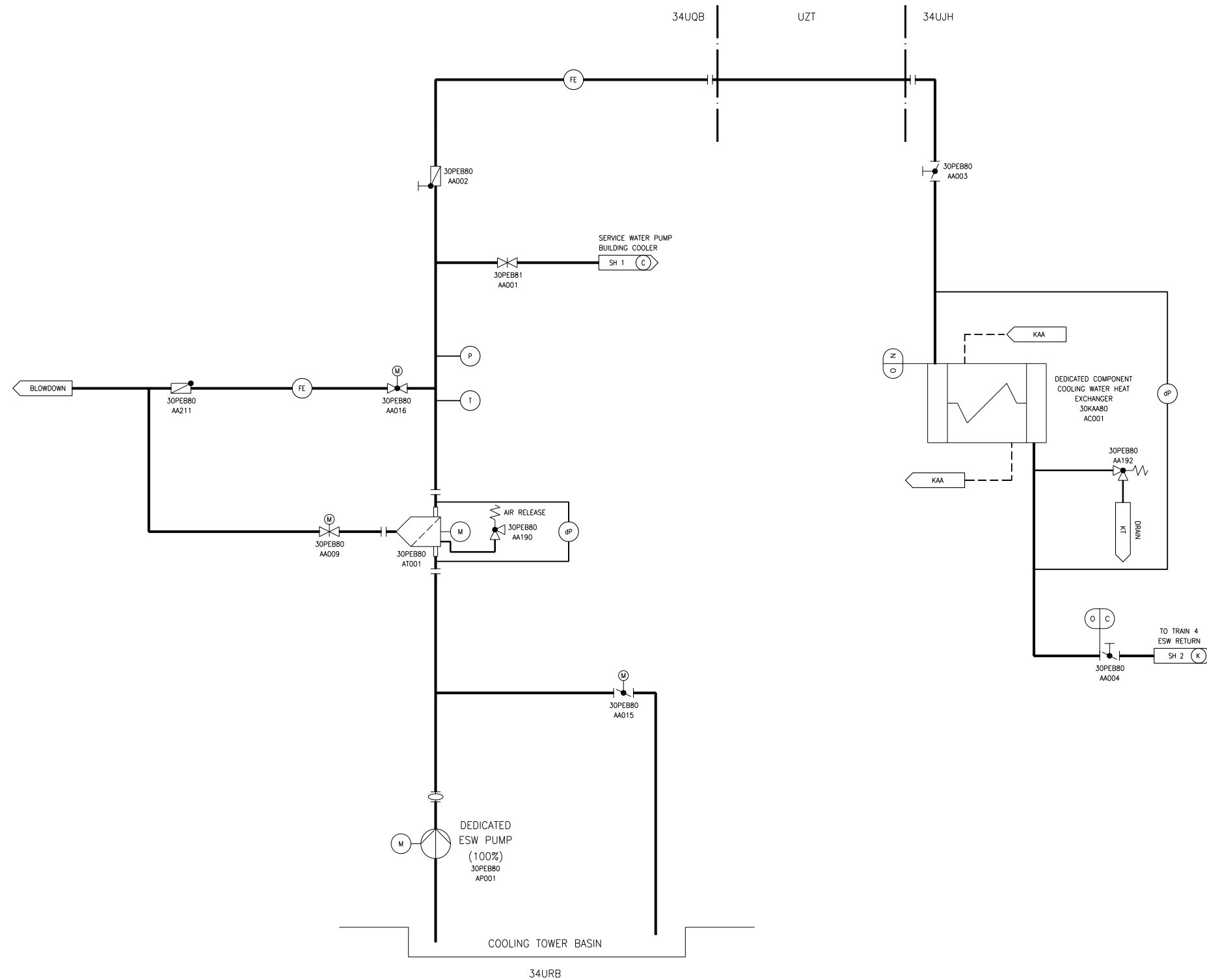
PEB02T2

Figure 9.2.1-1—Essential Service Water System Piping & Instrumentation Diagram
Sheet 3 of 4



PEB03T2

Figure 9.2.1-1—Essential Service Water System Piping & Instrumentation Diagram
Sheet 4 of 4



KAA - COMPONENT COOLING WATER SYSTEM SUPPLY TRAIN
 KT - NUCLEAR ISLAND DRAIN AND VENT SYSTEM
 PEB - ESSENTIAL SERVICE WATER PIPING SYSTEM
 34UJH - SAFEGUARD BUILDING MECHANICAL, DIVISION 4
 34UQB - ESSENTIAL SERVICE WATER PUMP, BUILDING 4
 34URB - ESSENTIAL SERVICE WATER COOLING TOWER STRUCTURE, DIVISION 4
 UZT - OUTDOOR AREA

NOTE:
 1. DEDICATED TRAIN SHOWN.

O	E	NSC
N	E	NSC
C	C	I
DESIGN AREA	SSC QUALITY GROUP	SSC SEISMIC CLASS

PEB04T2