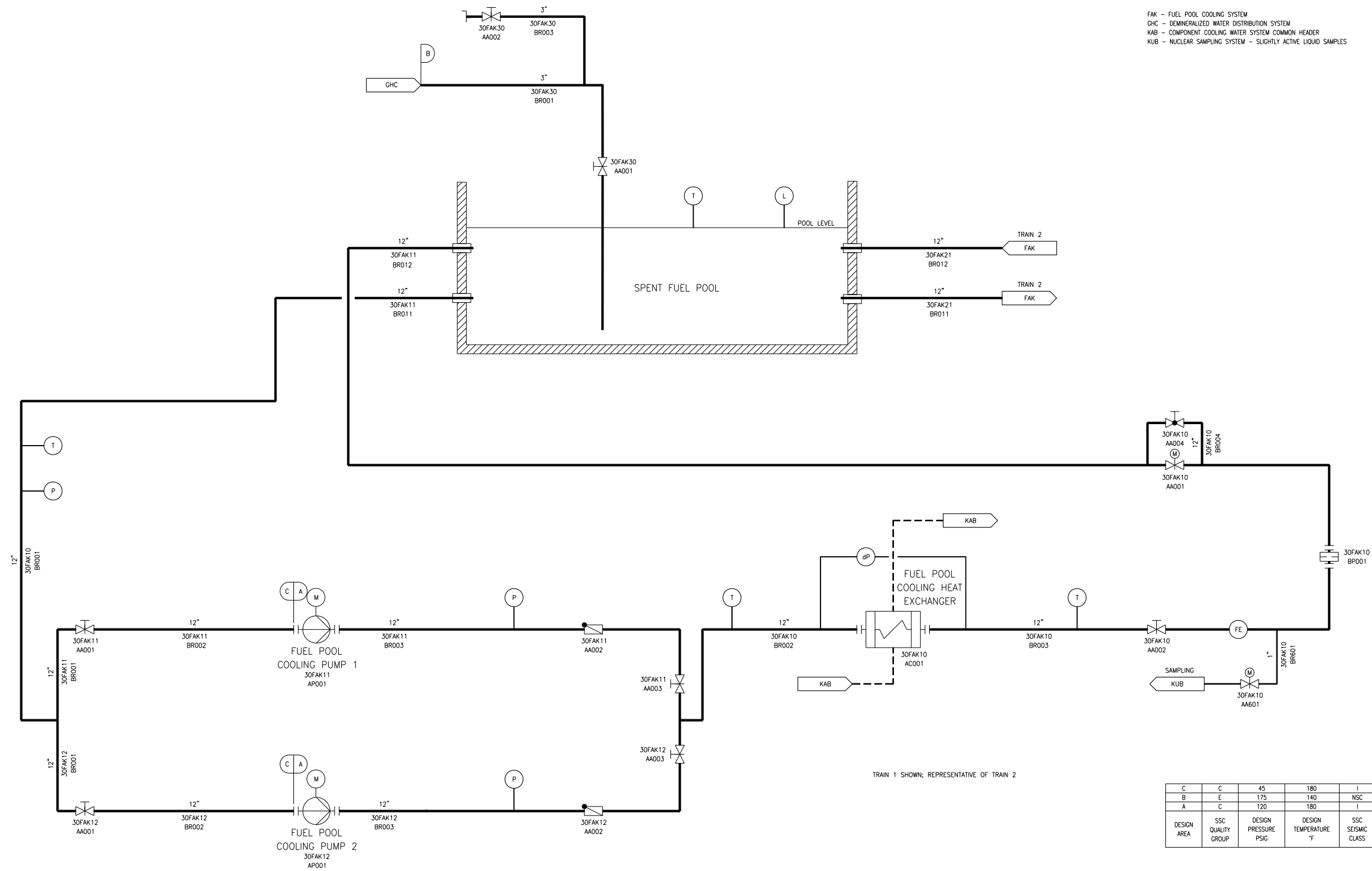
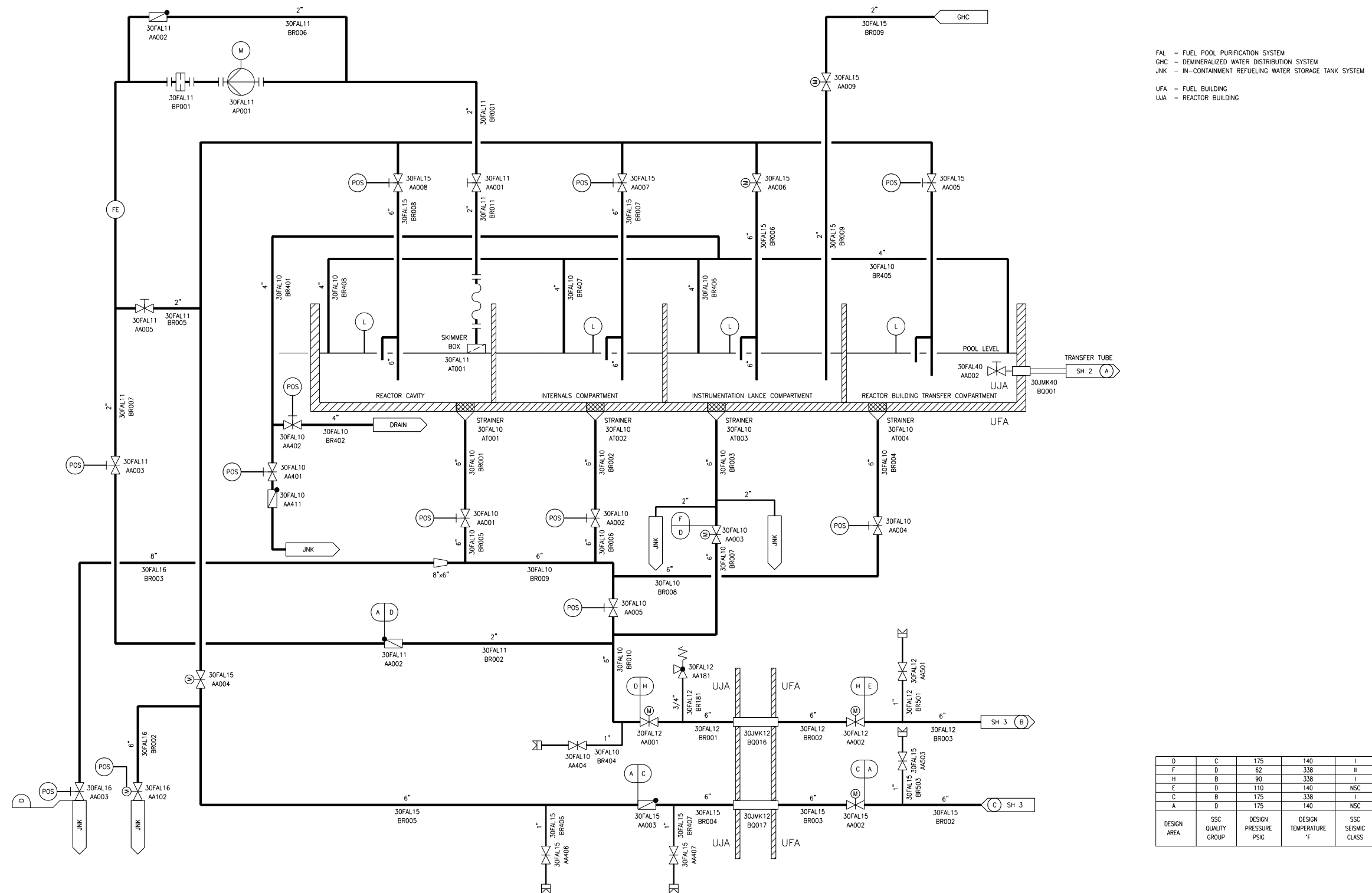


Figure 9.1.3-1—Fuel Pool Cooling System



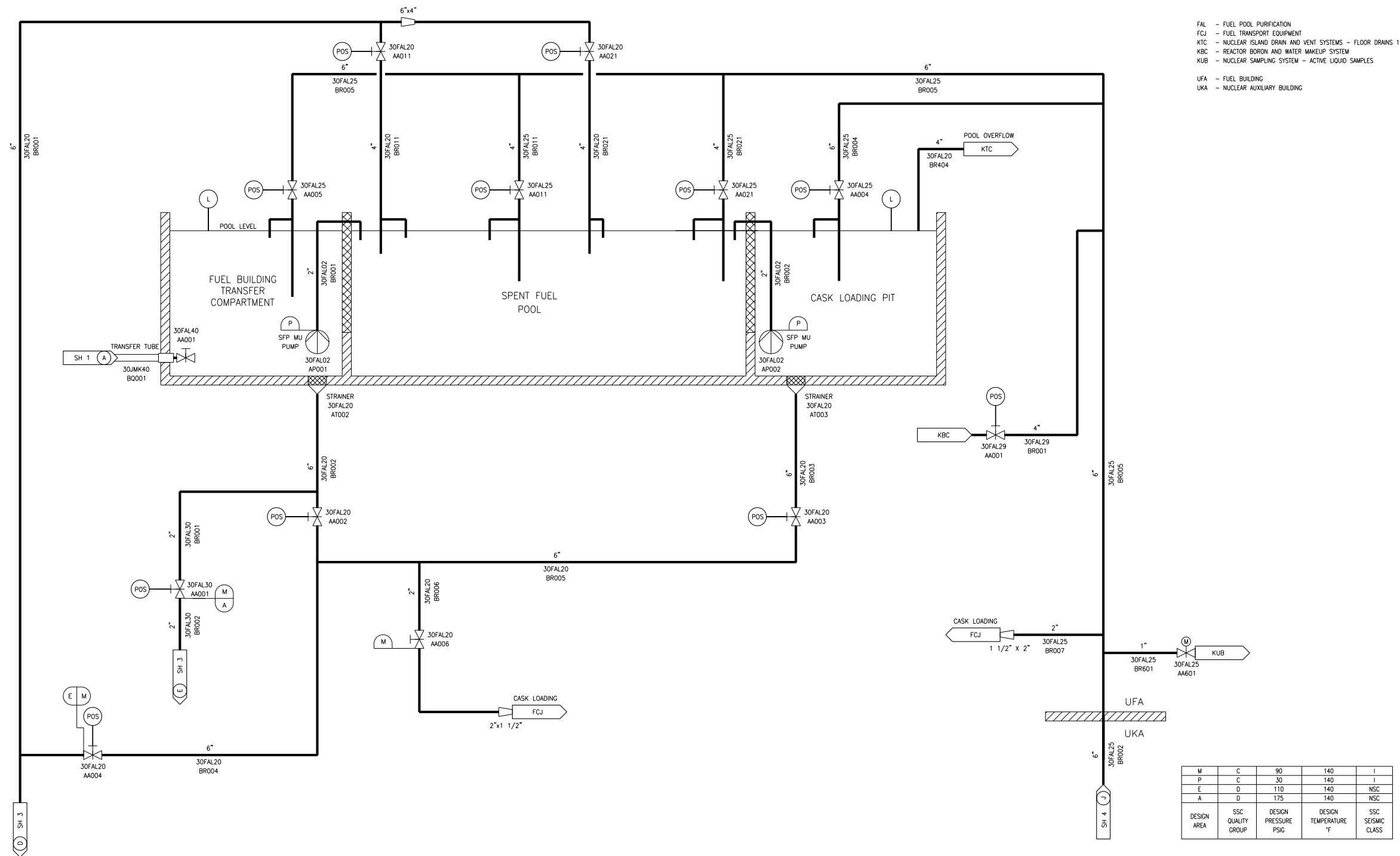
FAK01T2

Figure 9.1.3-2—Fuel Pool Purification System  
Sheet 1 of 5



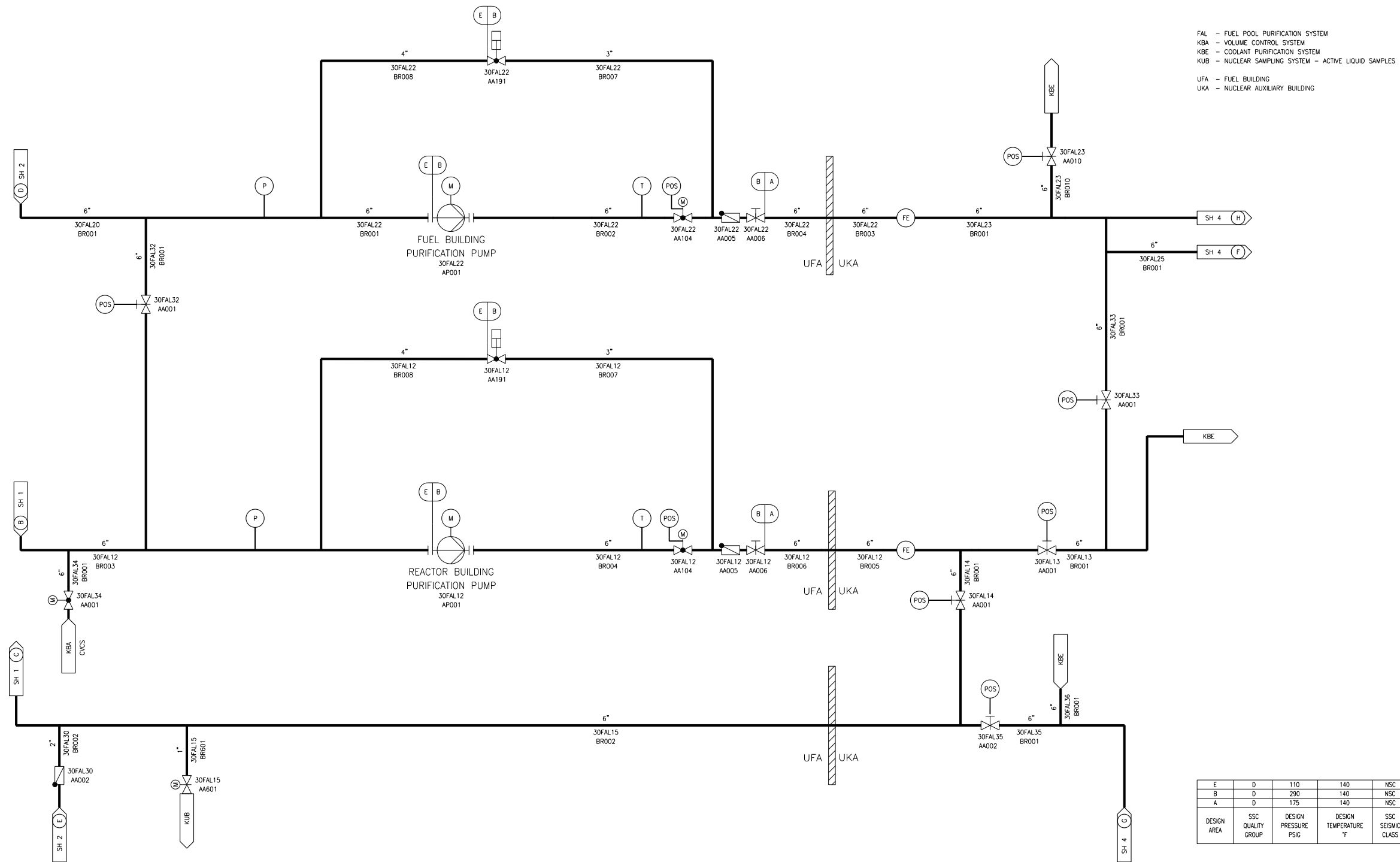
FAL01T2

Figure 9.1.3-2—Fuel Pool Purification System  
Sheet 2 of 5



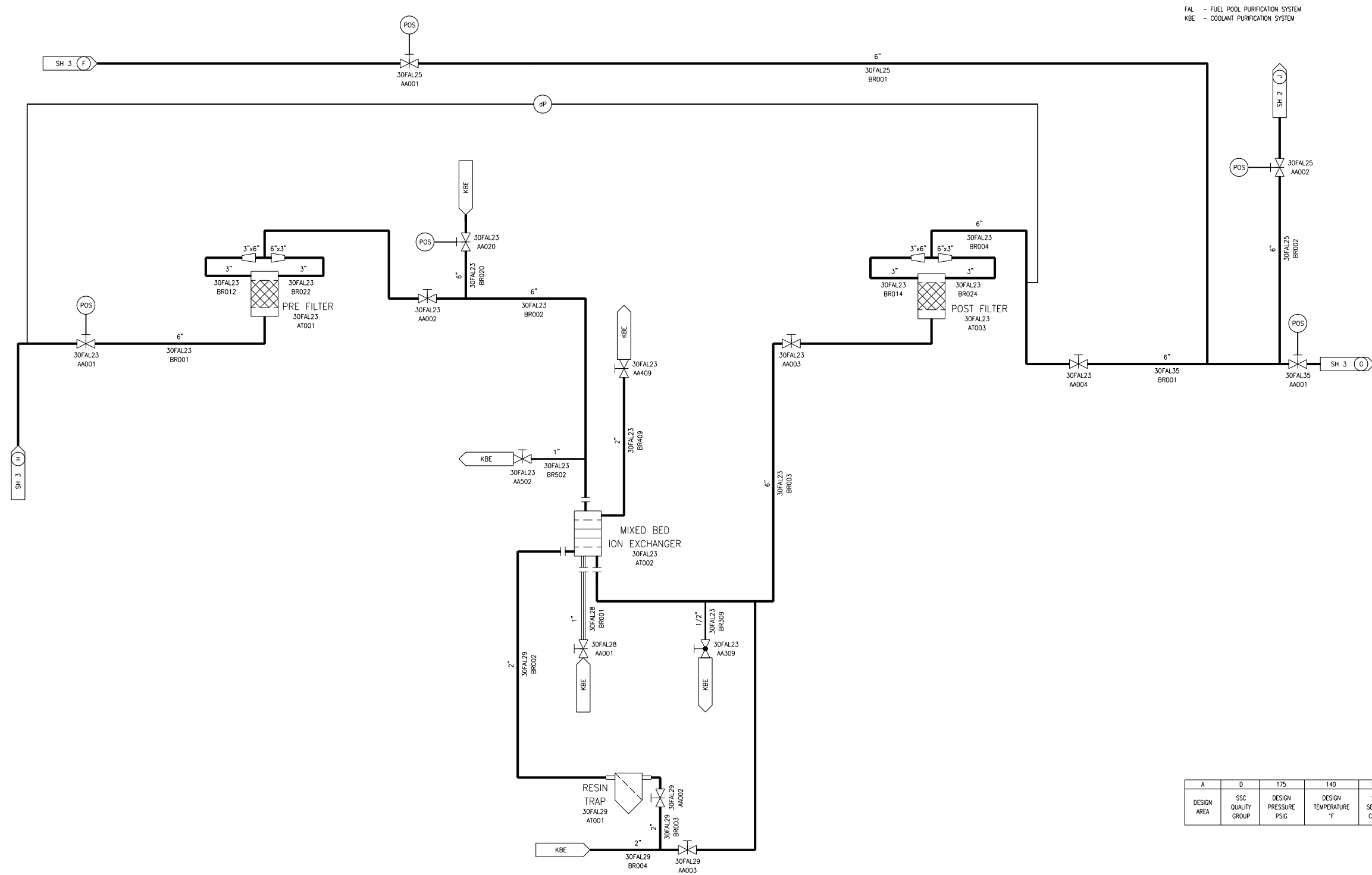
FAL02T2

Figure 9.1.3-2—Fuel Pool Purification System  
Sheet 3 of 5



FAL03T2

Figure 9.1.3-2—Fuel Pool Purification System  
Sheet 4 of 5

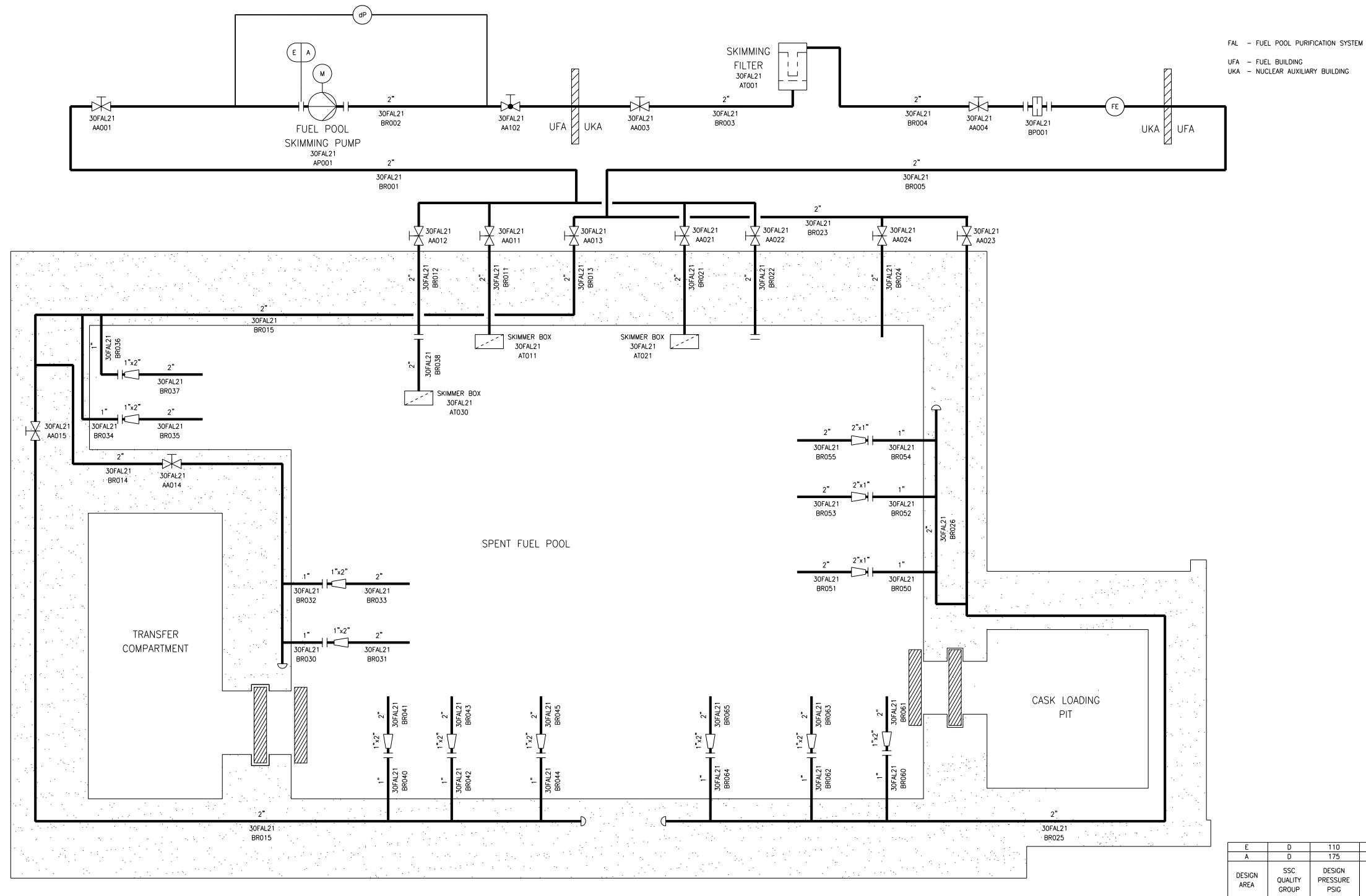


FAL - FUEL POOL PURIFICATION SYSTEM  
KBE - COOLANT PURIFICATION SYSTEM

A	D	175	140	NSC
DESIGN AREA	SSC QUALITY GROUP	DESIGN PRESSURE PSIG	DESIGN TEMPERATURE °F	SSC SEISMIC CLASS

FAL04T2

Figure 9.1.3-2—Fuel Pool Purification System  
Sheet 5 of 5



FAL05T2