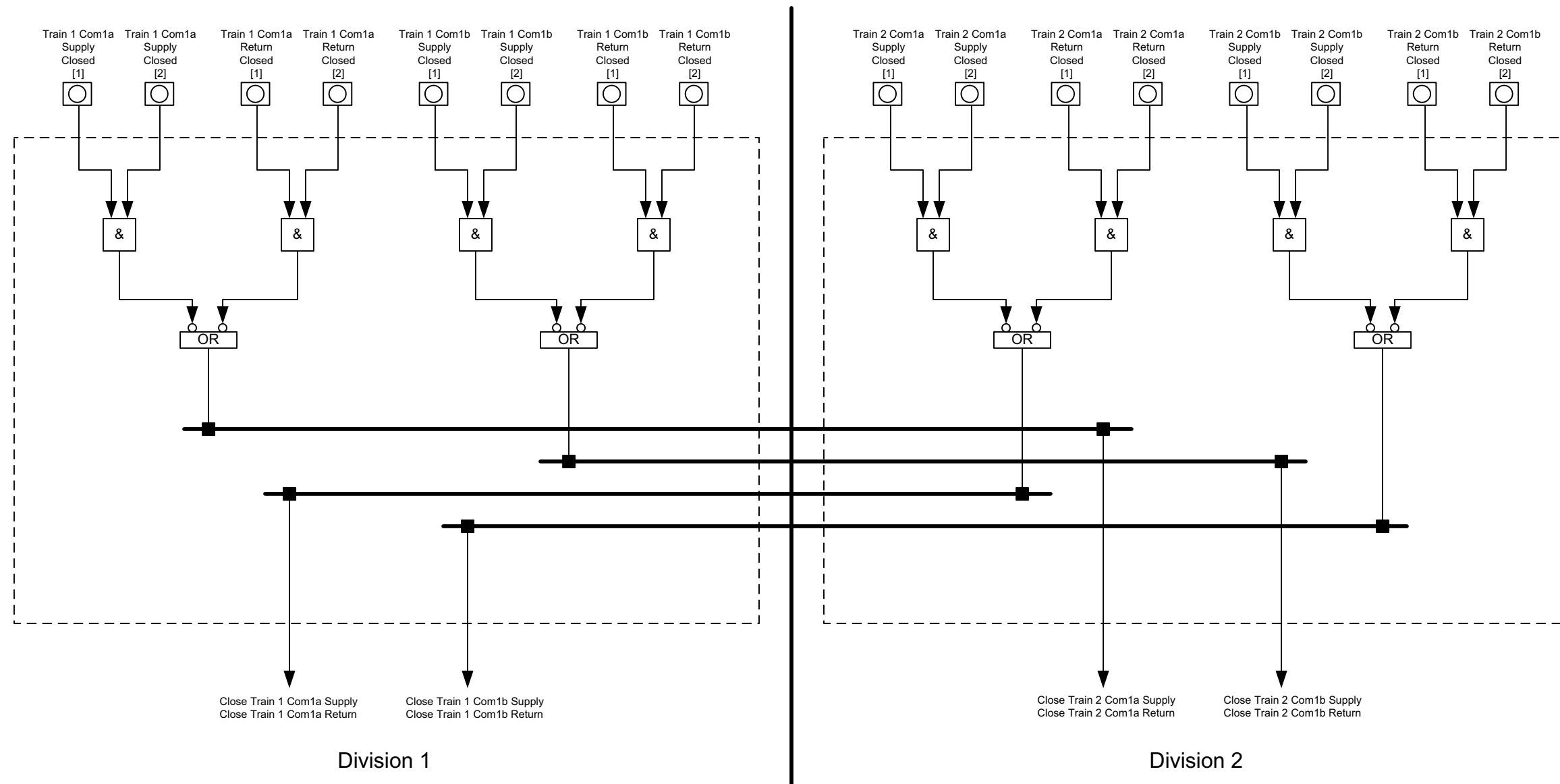


Figure 7.6-1—CCWS Switchover Valves Interlock



Logic shown for SAS Divisions 1 and 2. The same logic is implemented between Divisions 3 and 4 with respect to Common 2a and Common 2b.

EPR3425 T2

Figure 7.6-2—CCWS Containment Isolation Valves Interlock

