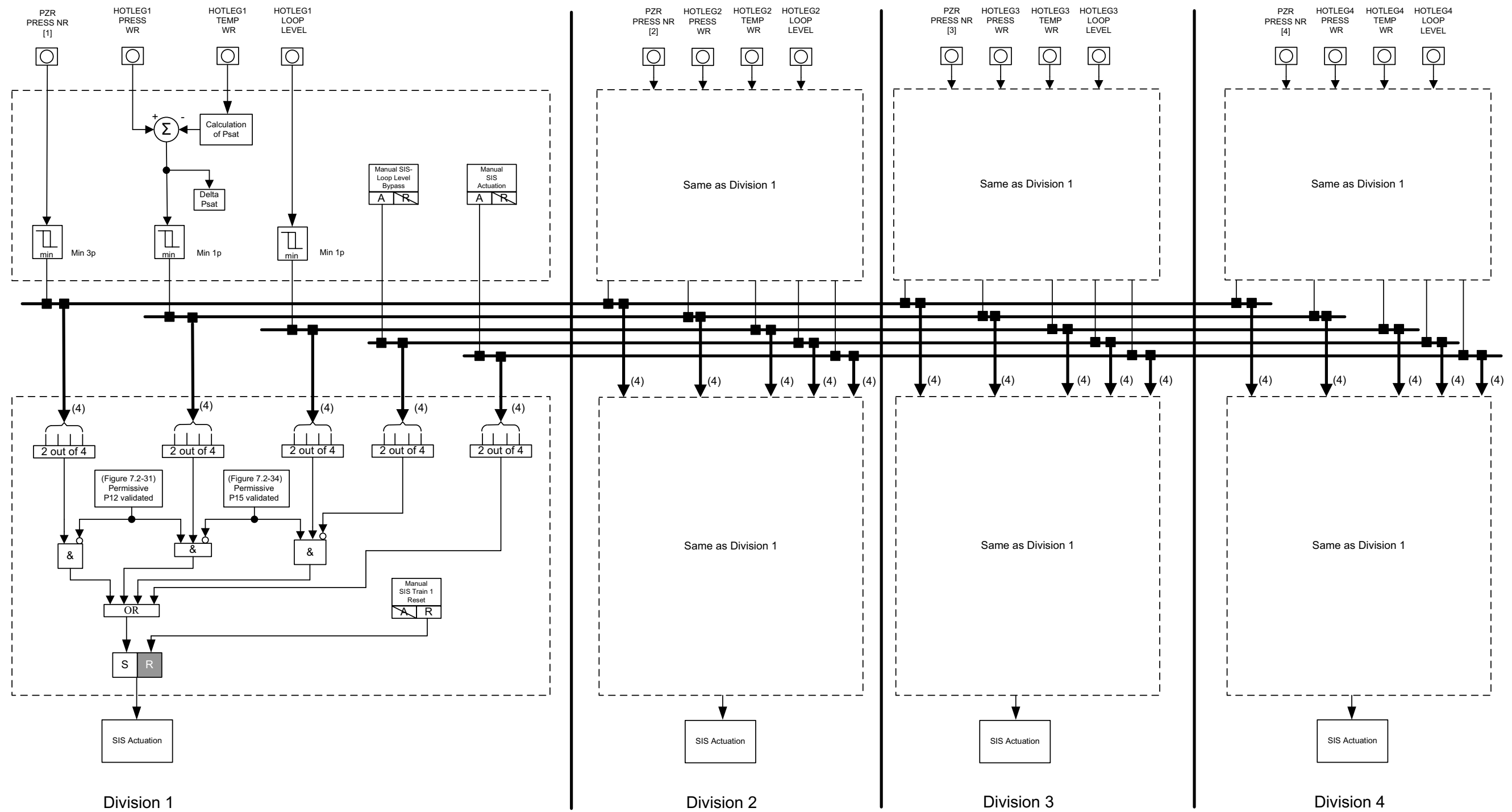
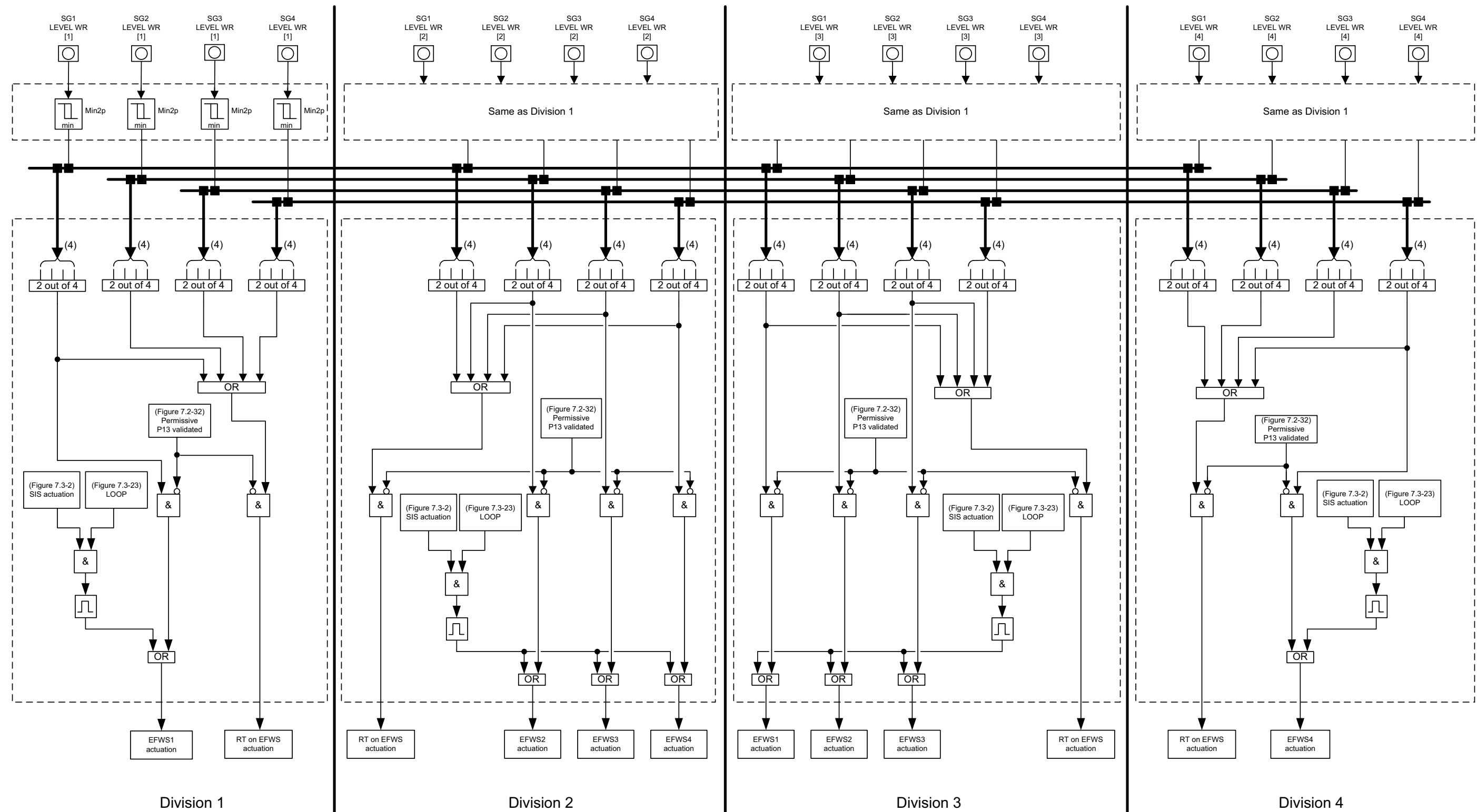


Figure 7.3-2—SIS Actuation



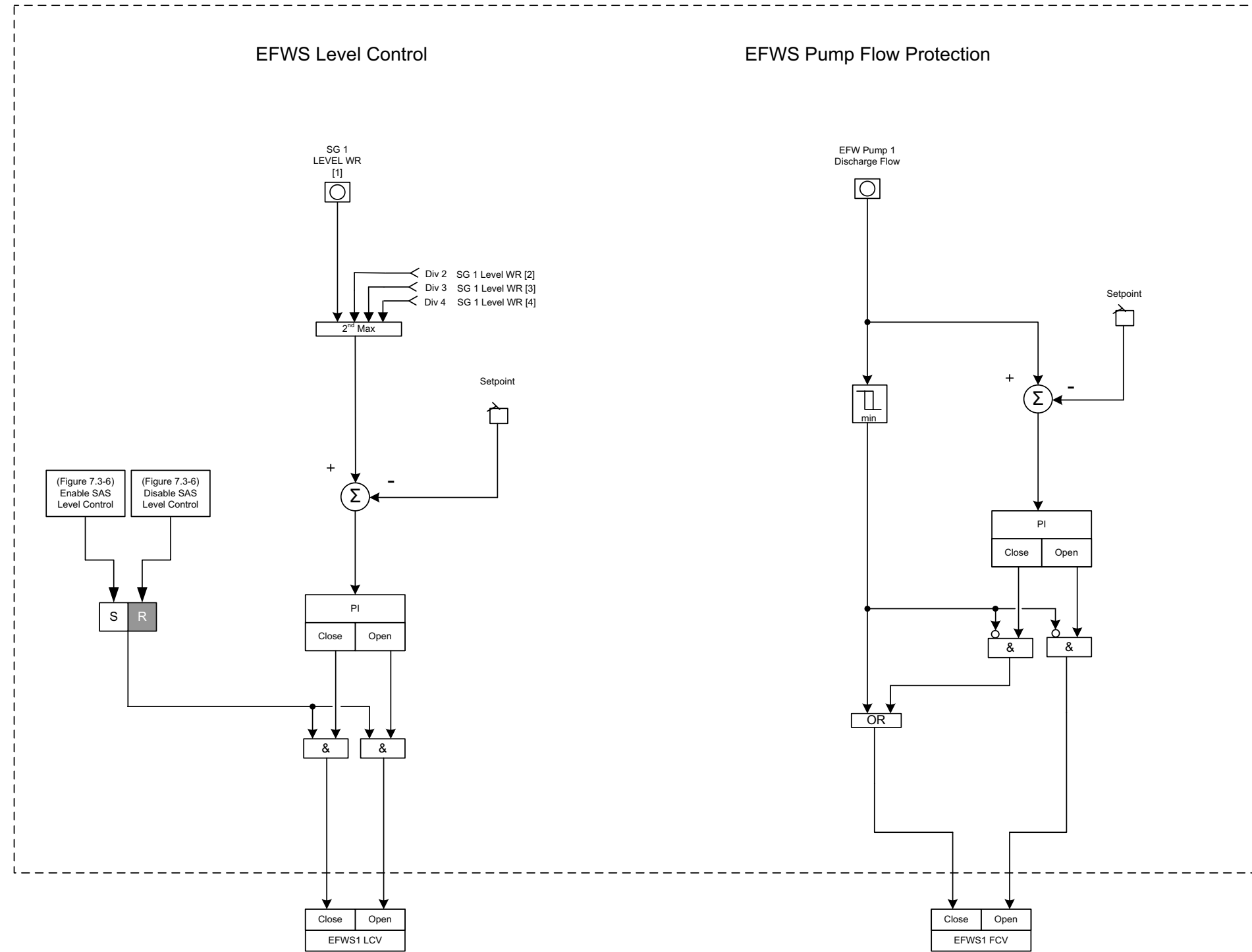
EPR3290 T2

Figure 7.3-3—EFWS Actuation



EPR3295 T2

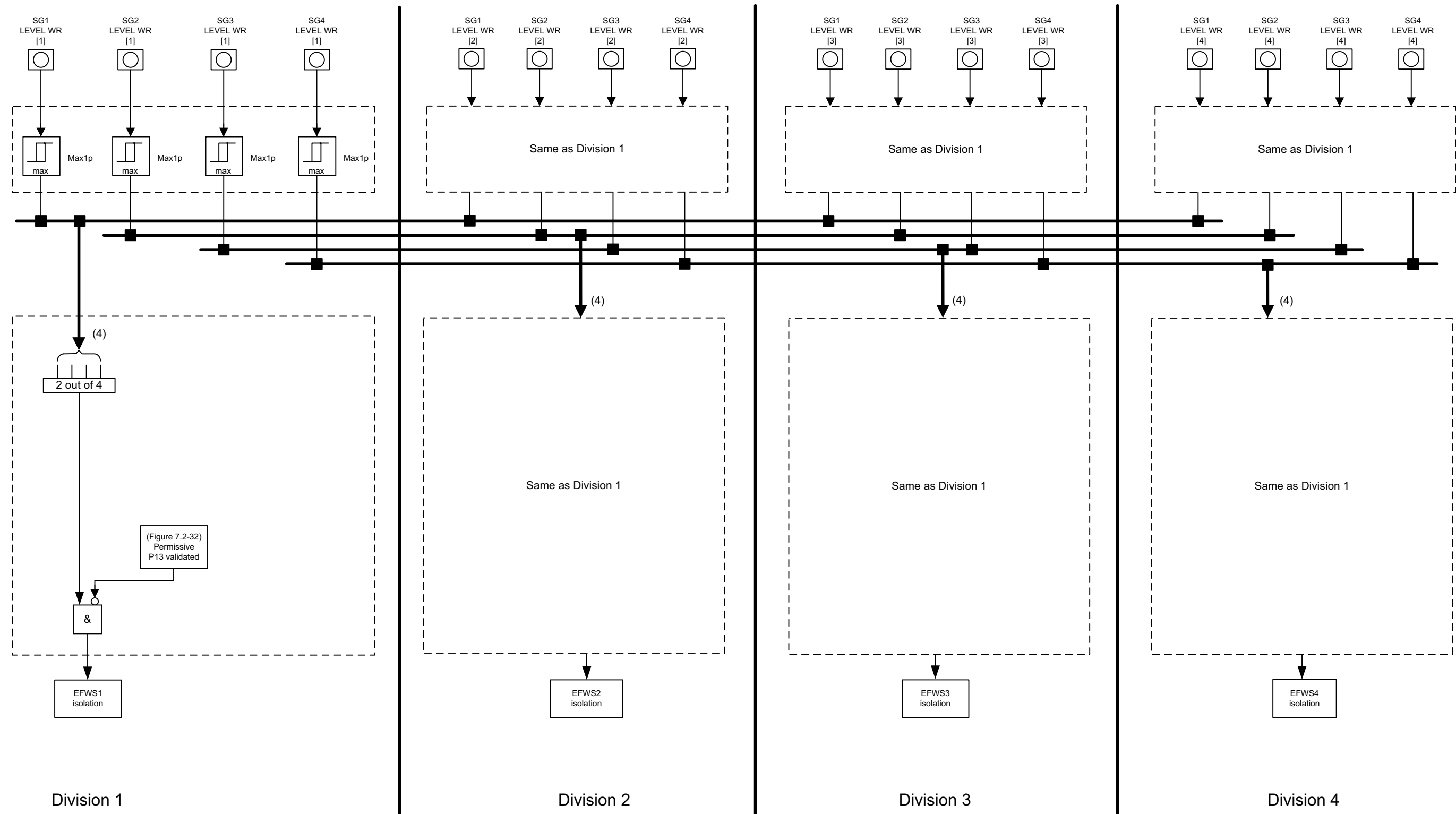
Figure 7.3-4—EFWS SG Level Control and Pump Flow Protection



SAS Division 1
Typical for Divisions 2,3,& 4

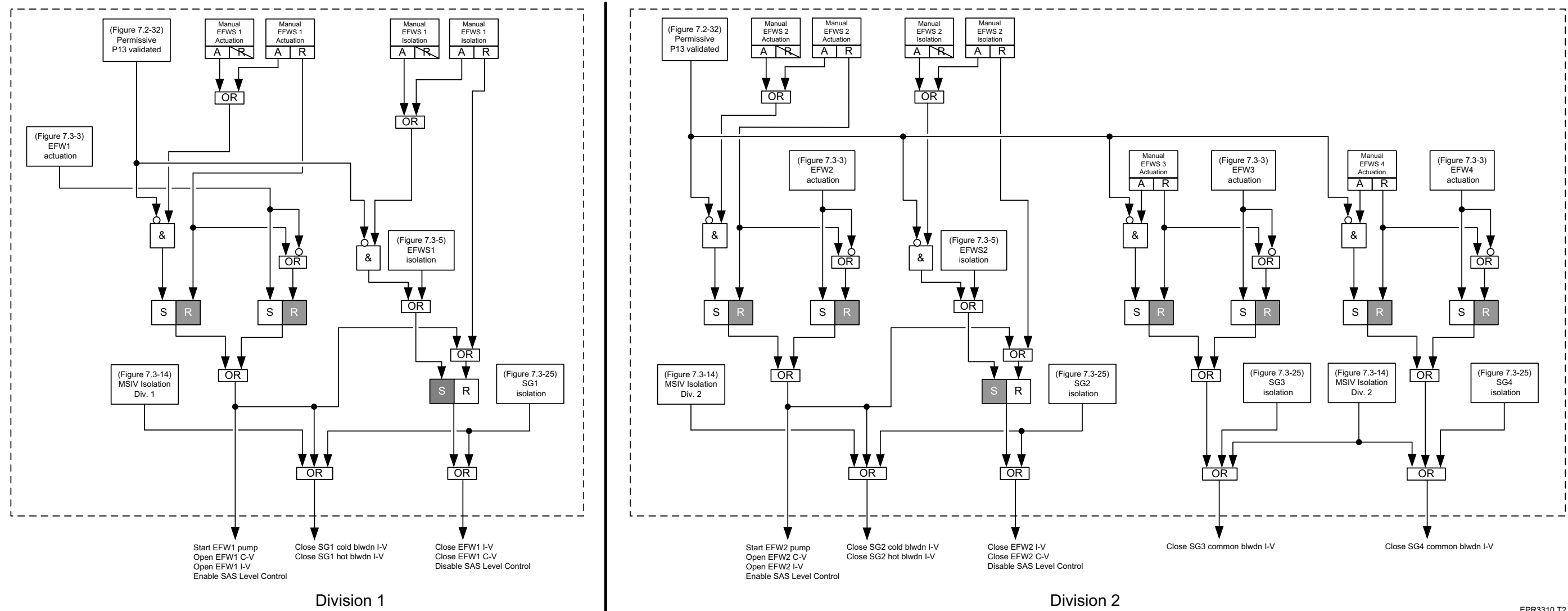
EPR3300 T2

Figure 7.3-5—EFWS Isolation



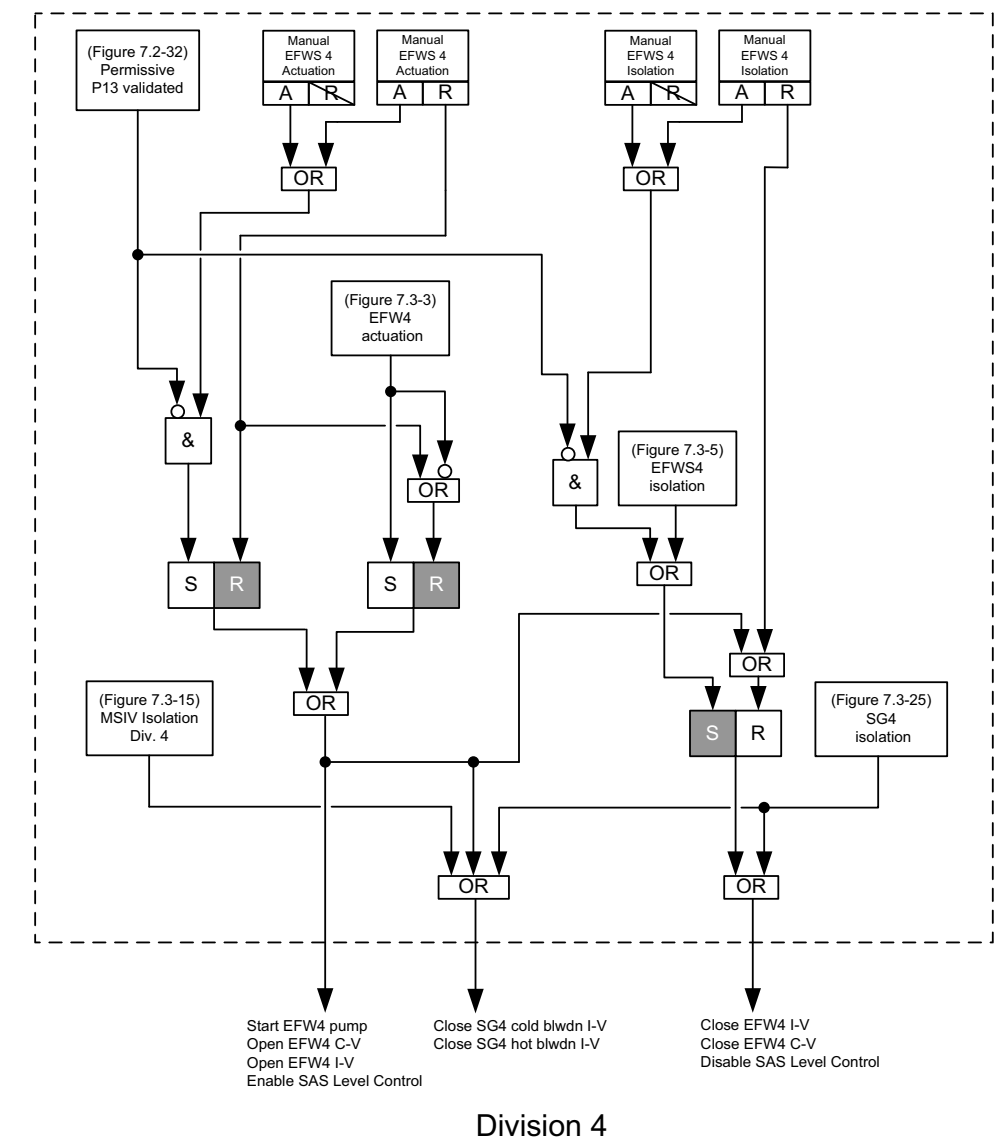
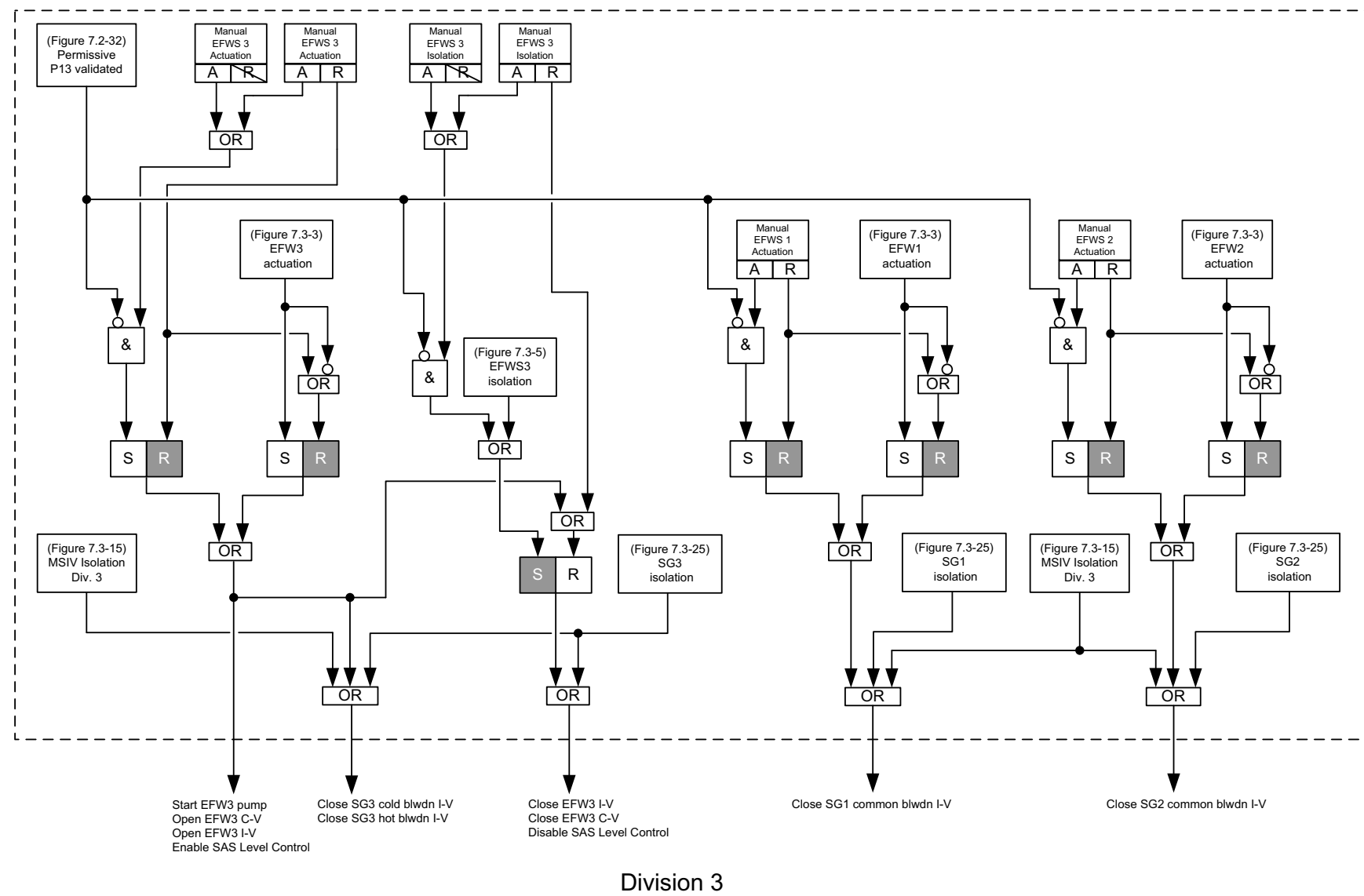
EPR3305 T2

Figure 7.3-6—EFWS Actuators (Div. 1&2)



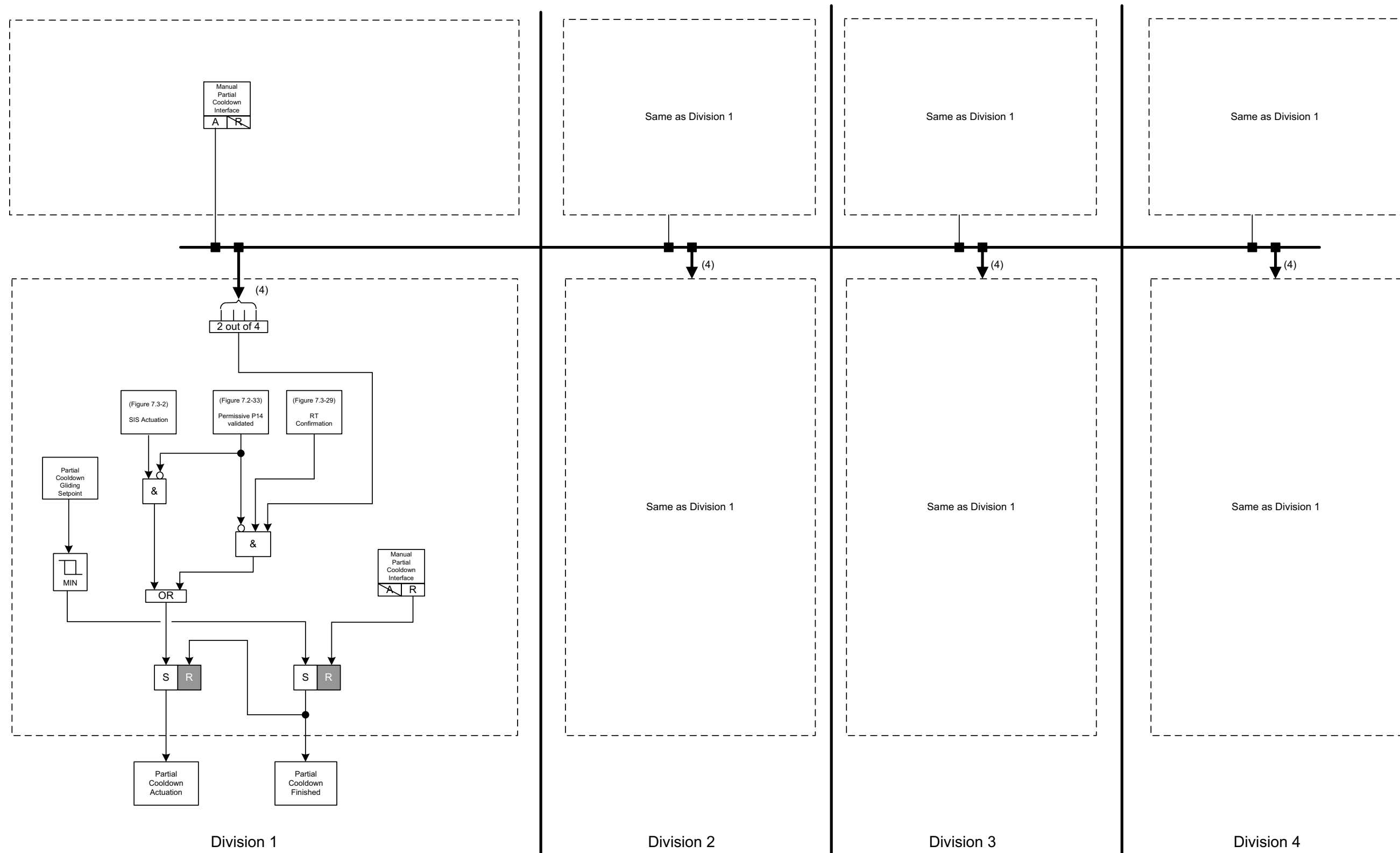
EPR3310 T2

Figure 7.3-7—EFWS Actuators (Div. 3&4)



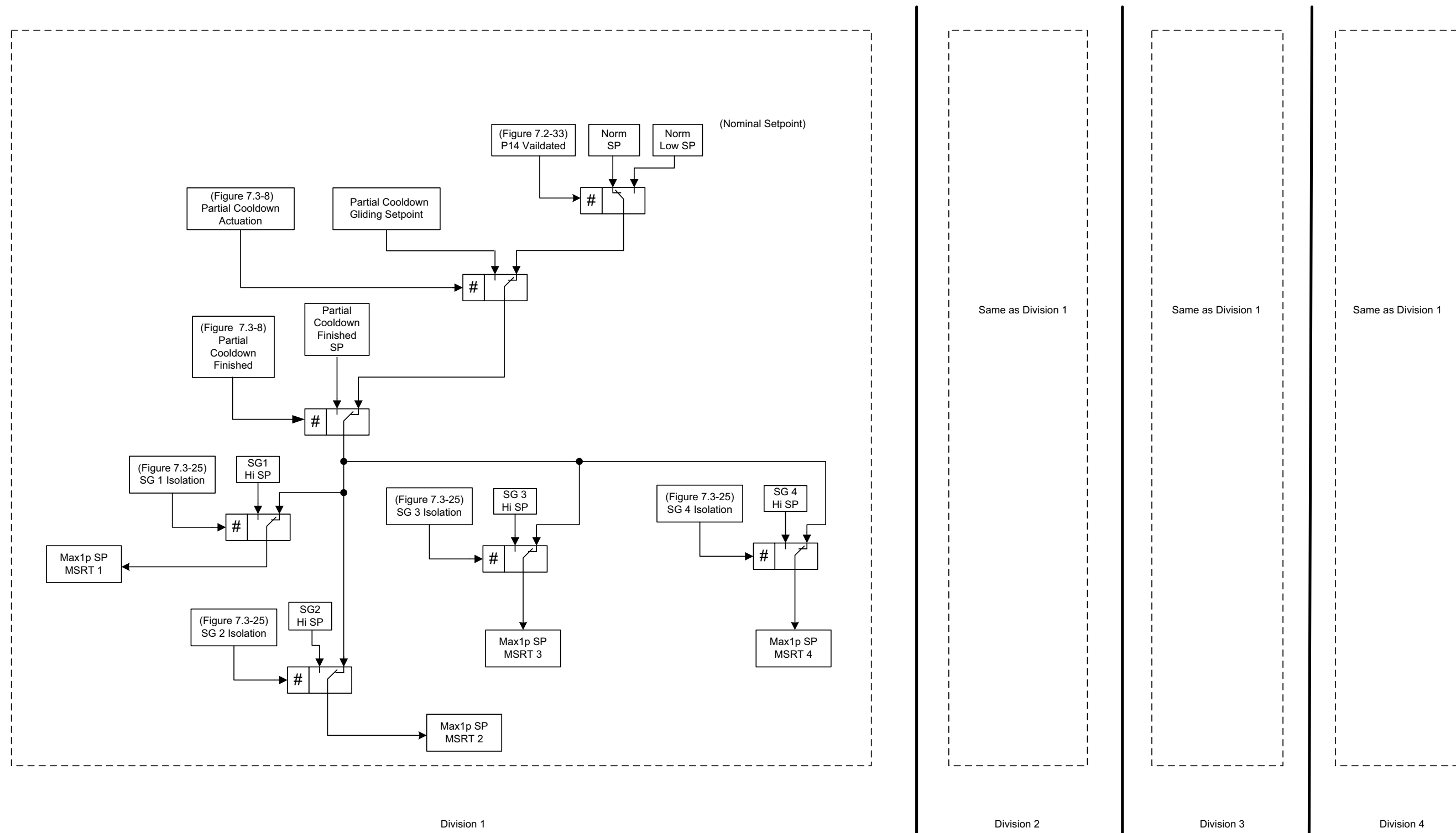
EPR3315 T2

Figure 7.3-8—Partial Cooldown Actuation



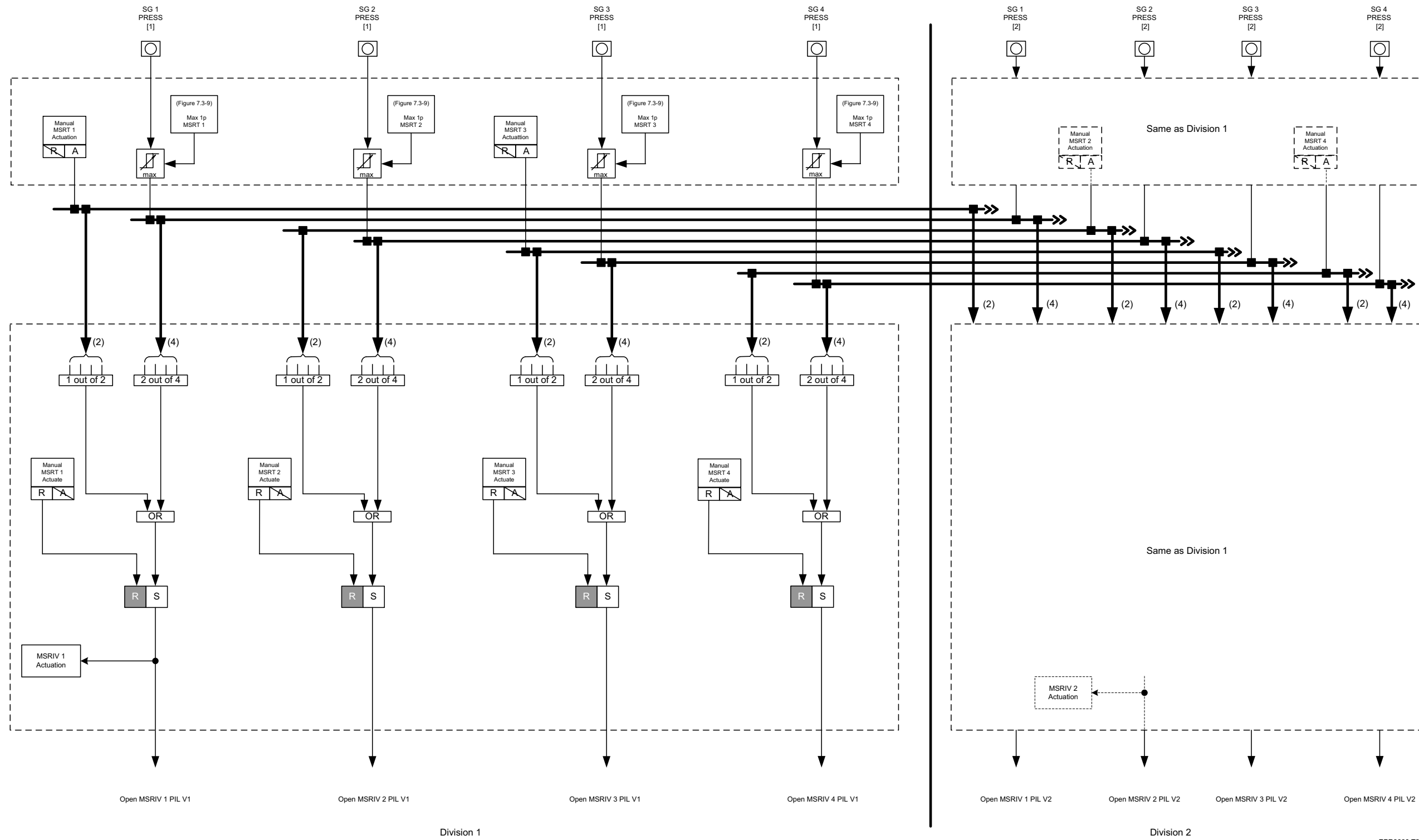
EPR3320 T2

Figure 7.3-9—MSRT Setpoint Formation



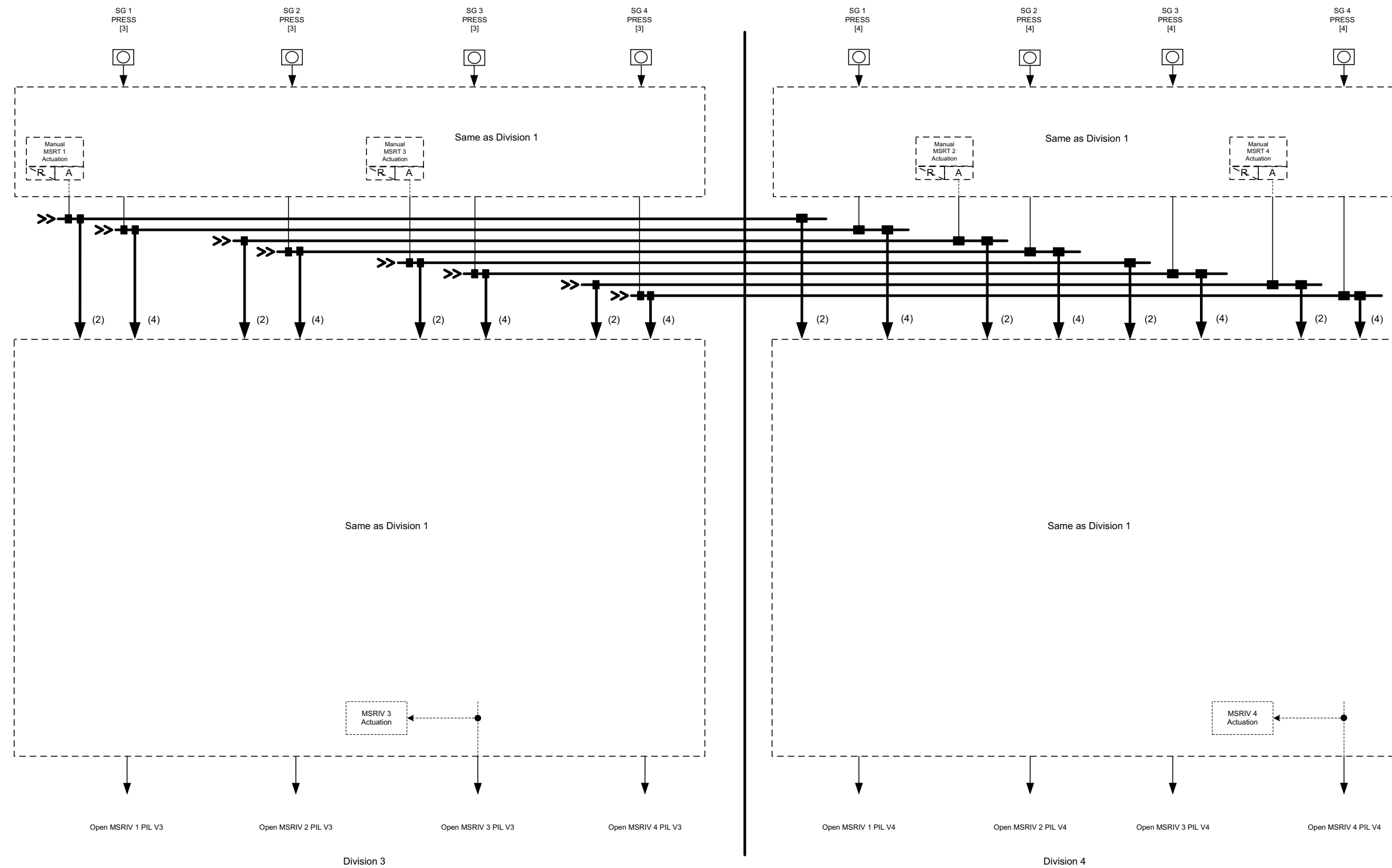
EPR3325 T2

Figure 7.3-10—MSRT Opening (Div. 1&2)



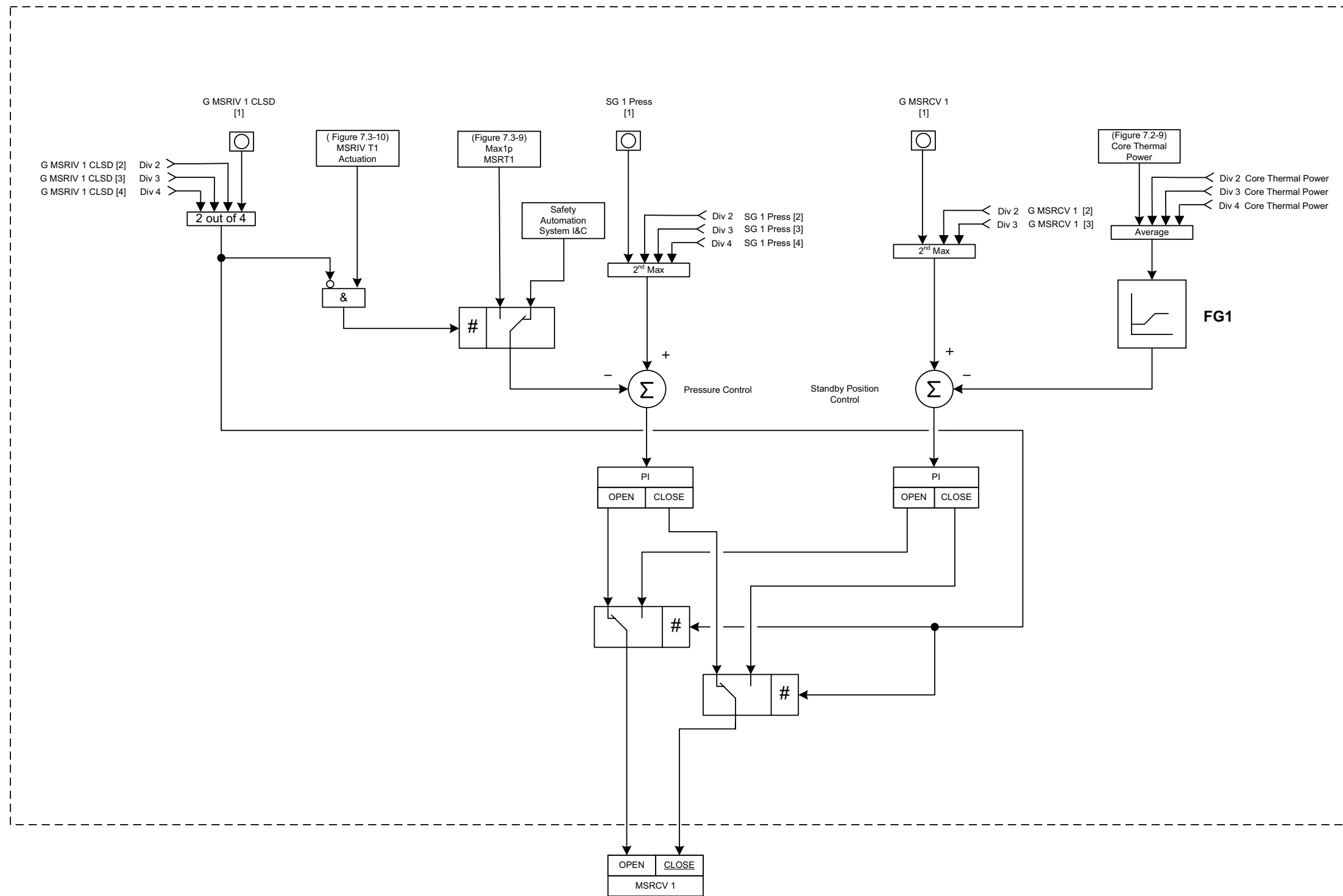
EPR3330 T2

Figure 7.3-11—MSRT Opening (Div. 3&4)



EPR3335 T2

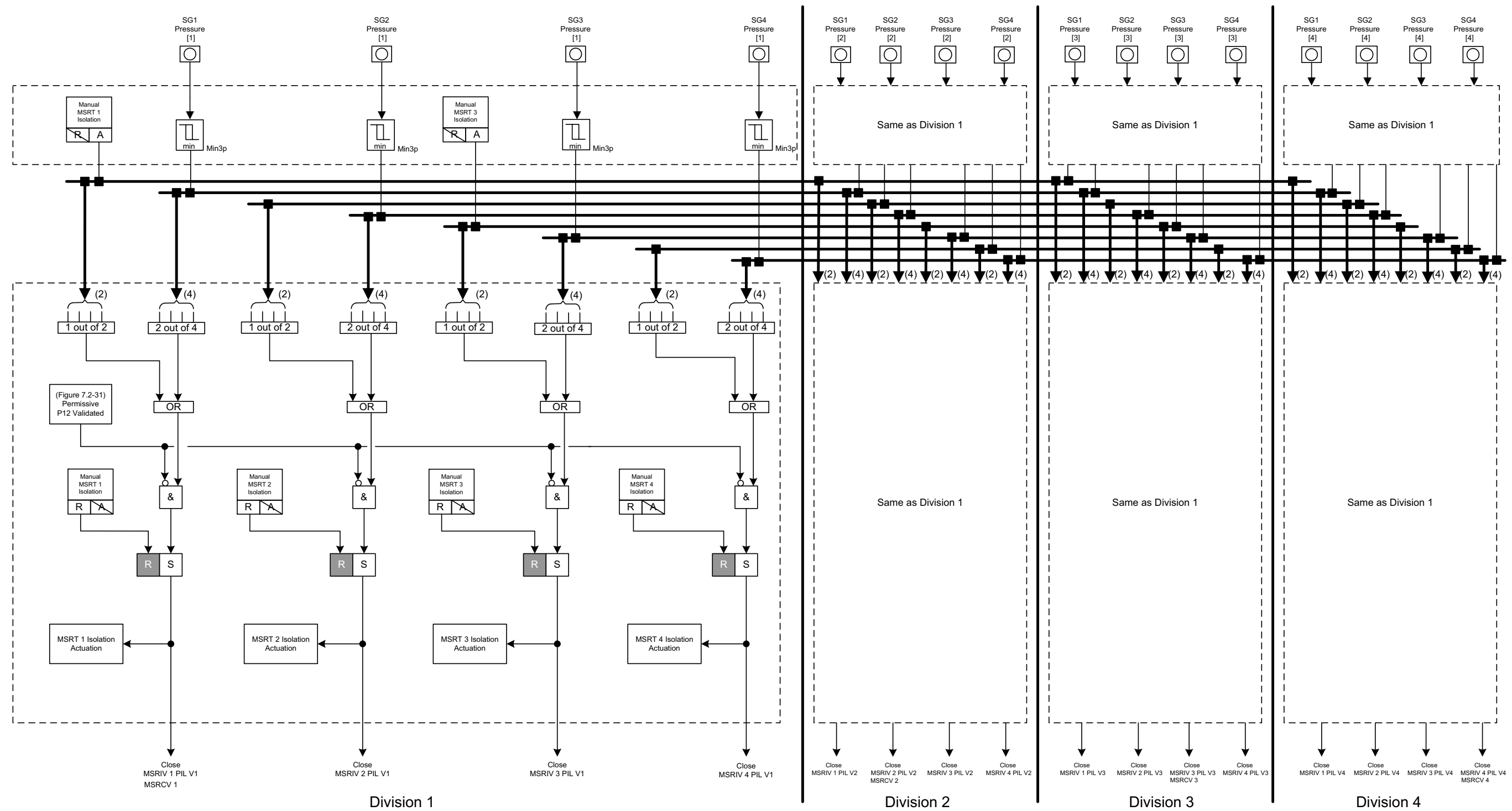
Figure 7.3-12—MSRCV Control



SAS Division 1
Typical for Divisions 2,3,& 4

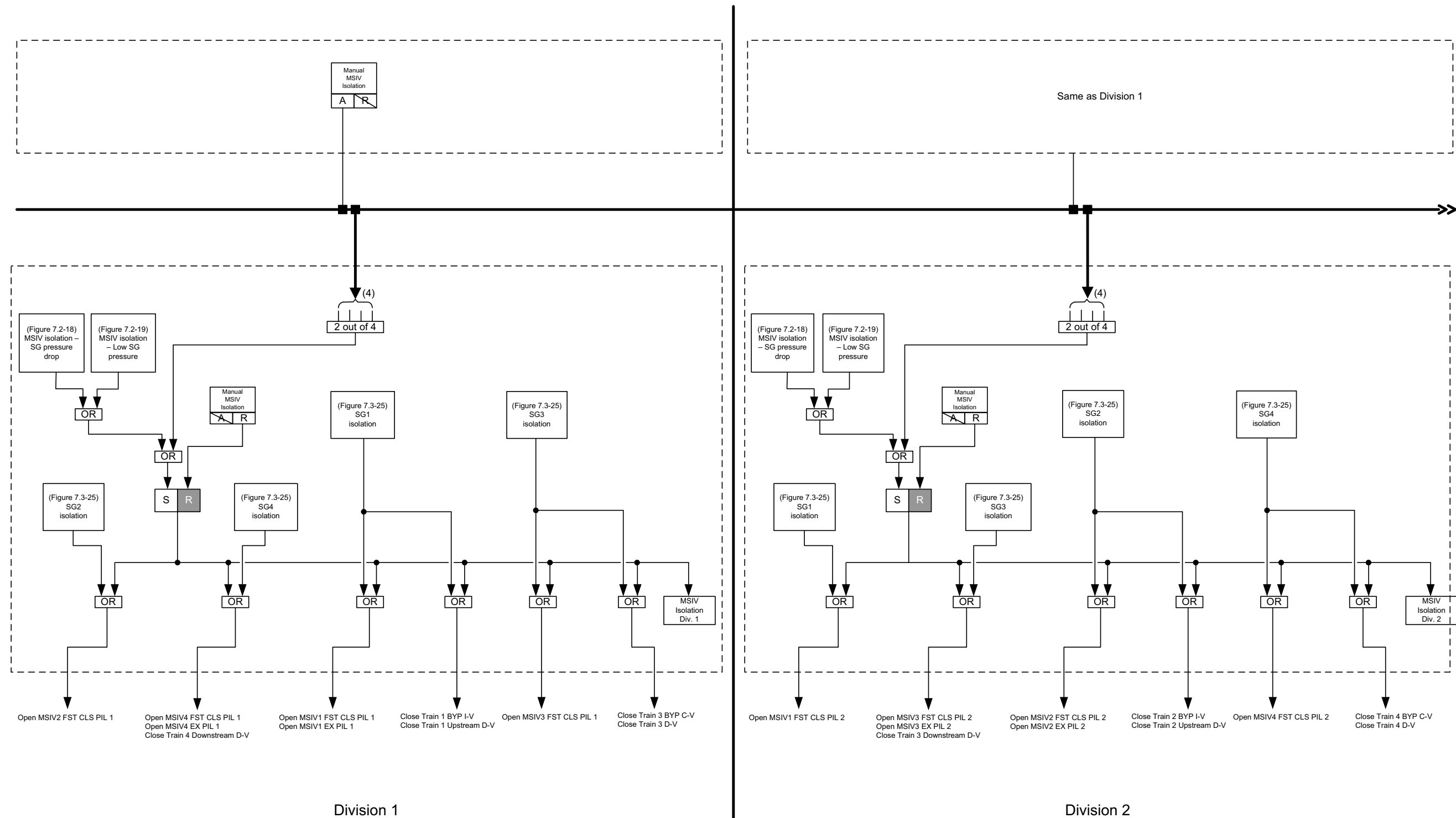
EPR3340 T2

Figure 7.3-13—MSRT Isolation



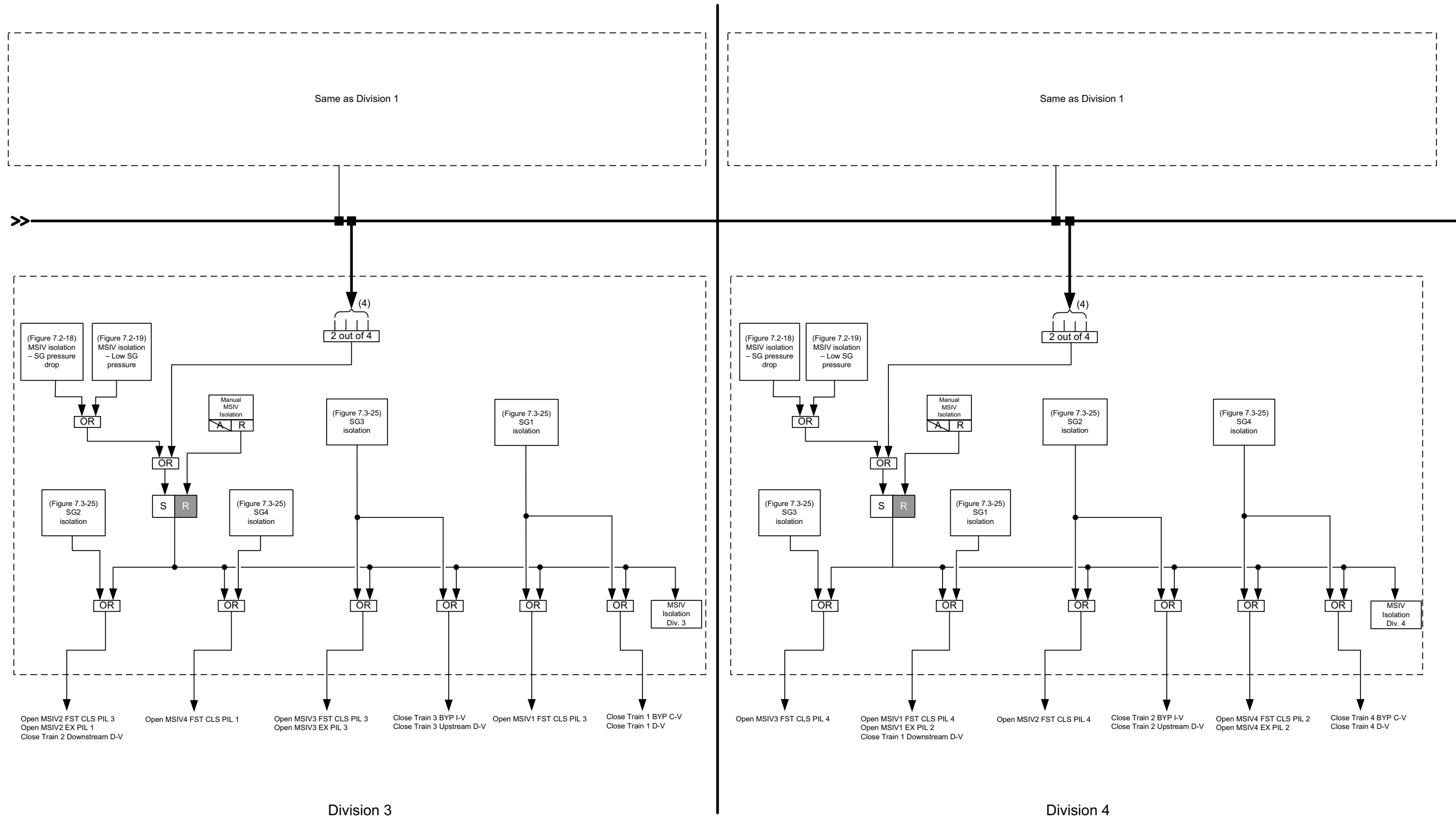
EPR3345 T2

Figure 7.3-14—MSIV Isolation (Div. 1&2)



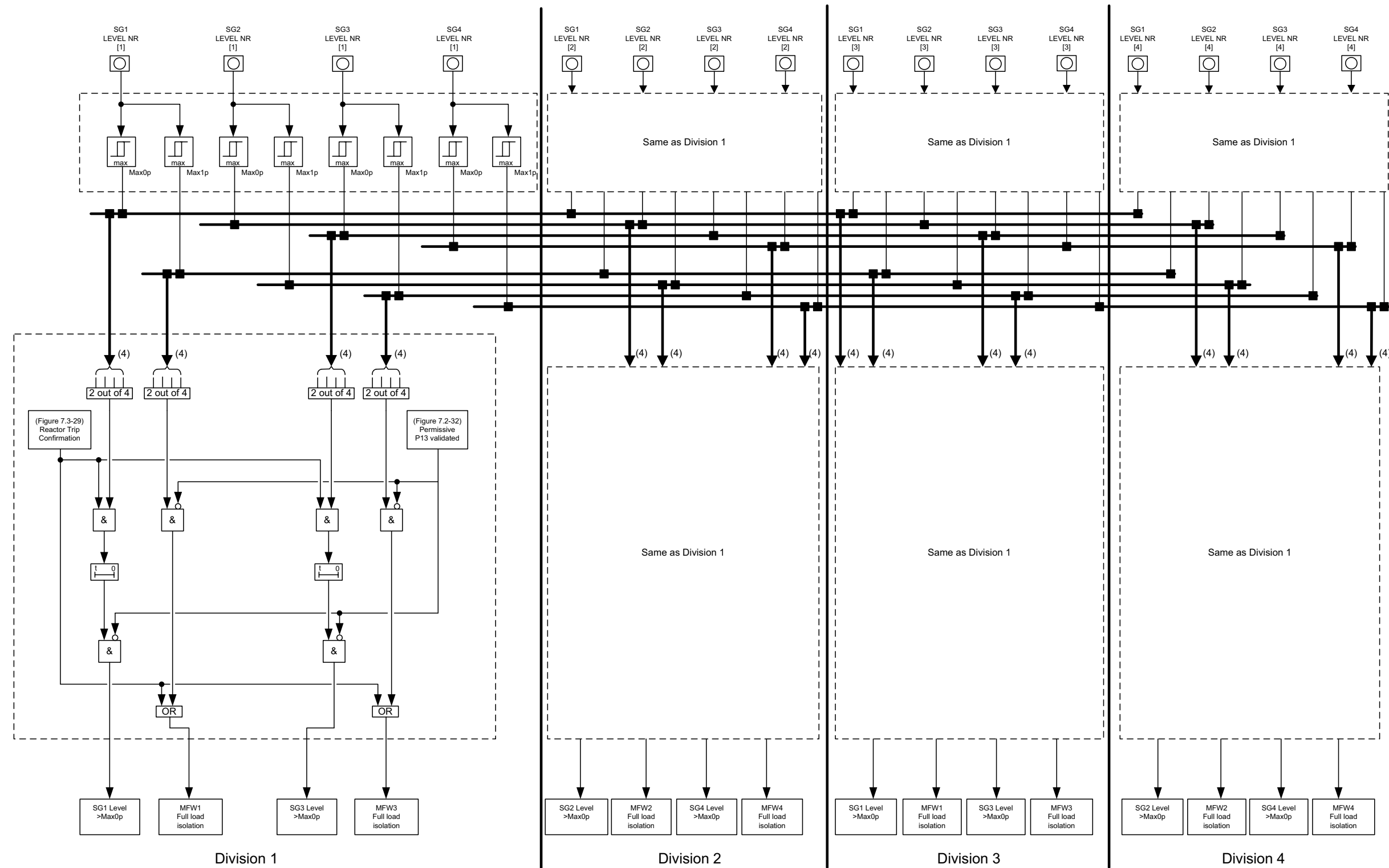
EPR3350 T2

Figure 7.3-15—MSIV Isolation (Div. 3&4)



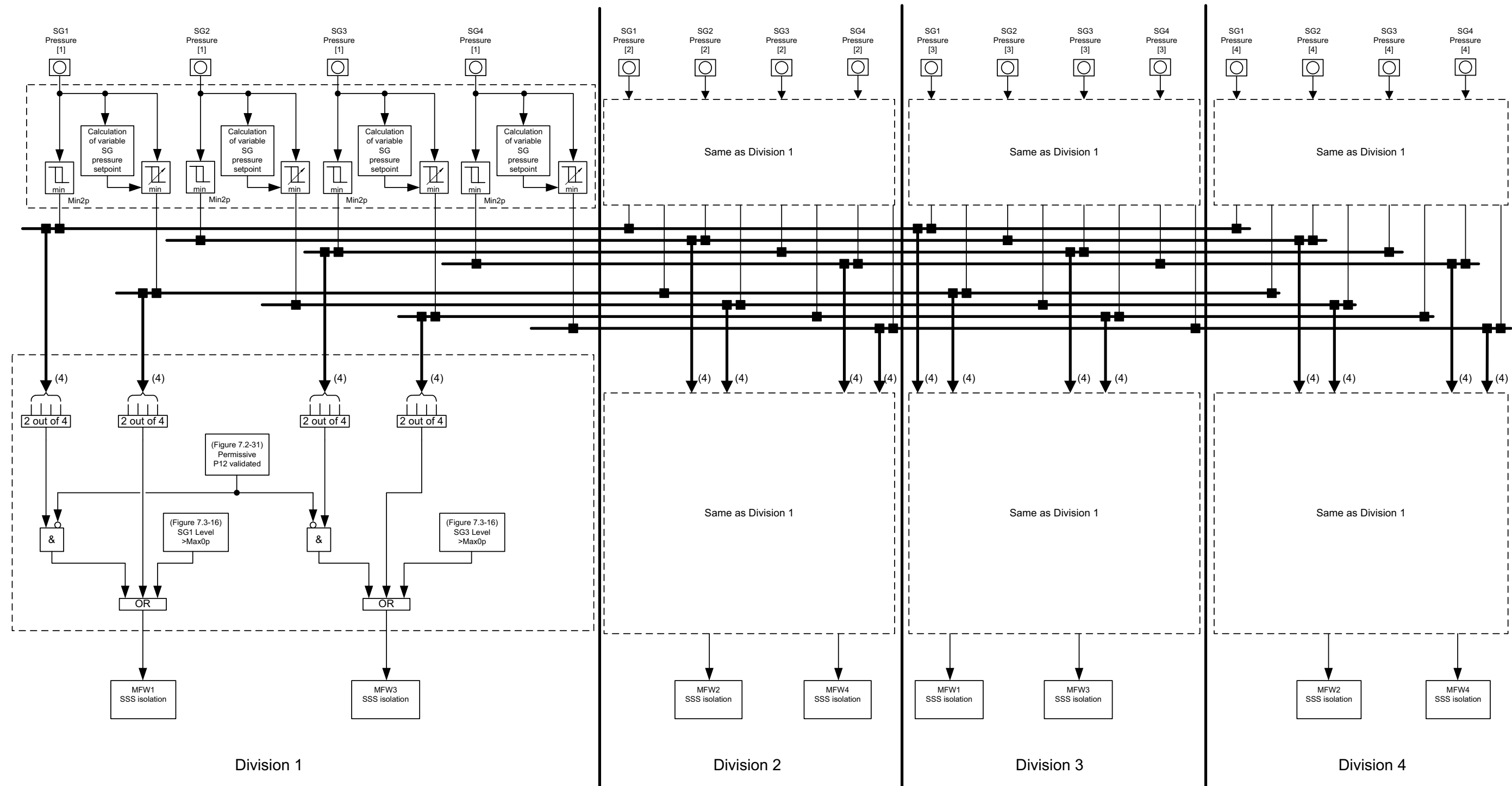
EPR3355 T2

Figure 7.3-16—MFWS Isolation - Full Load



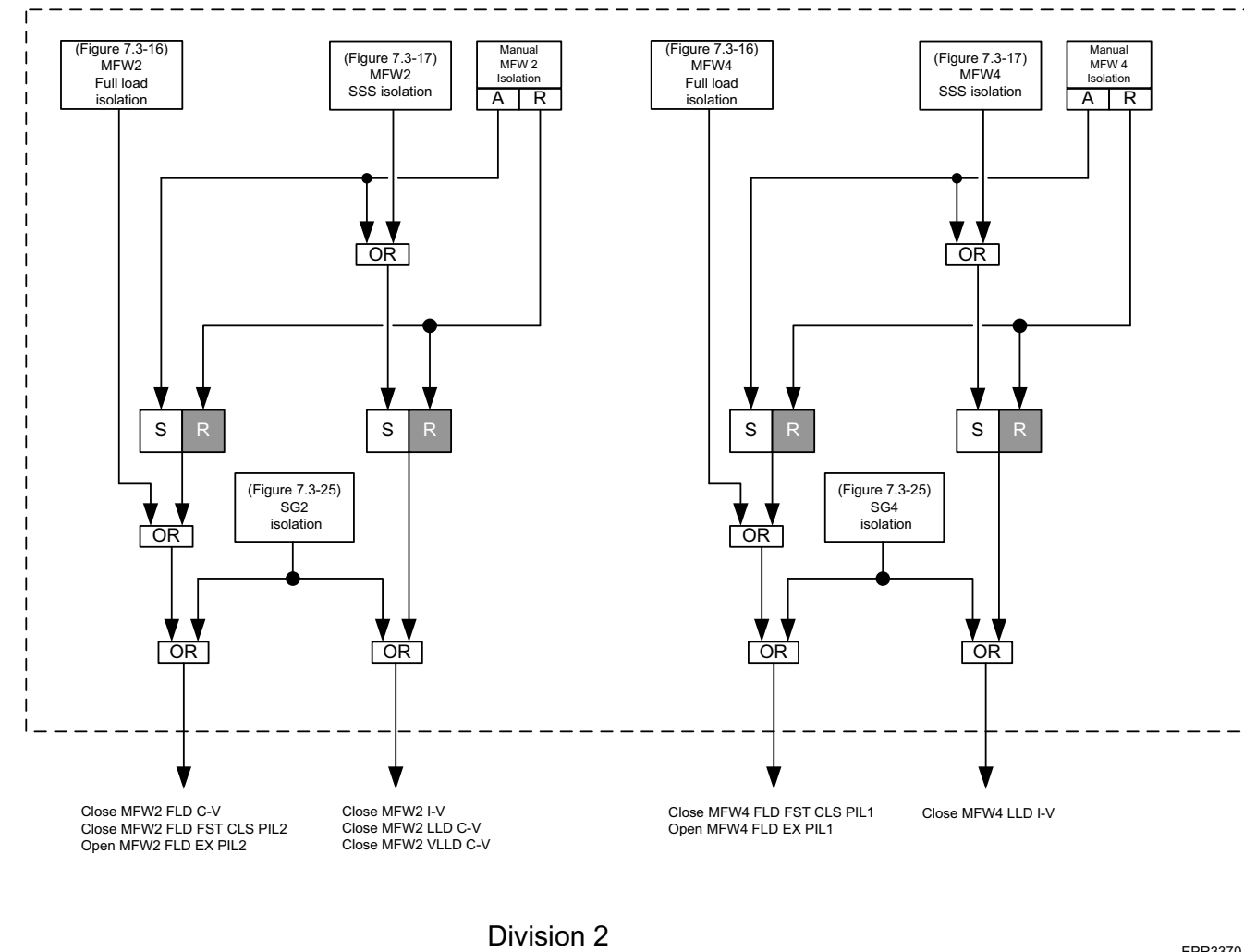
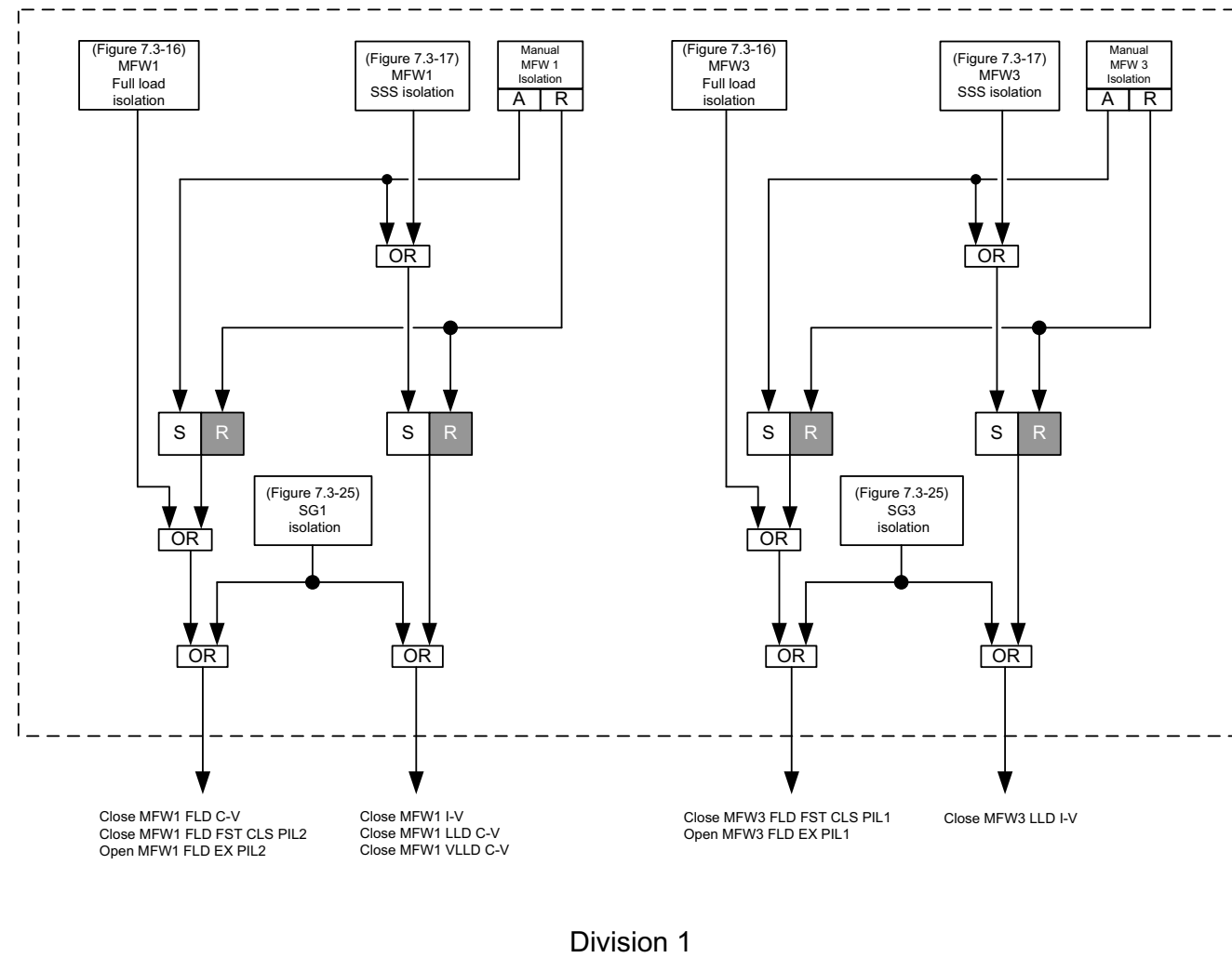
EPR3360 T2

Figure 7.3-17—MFWS Isolation - SSS



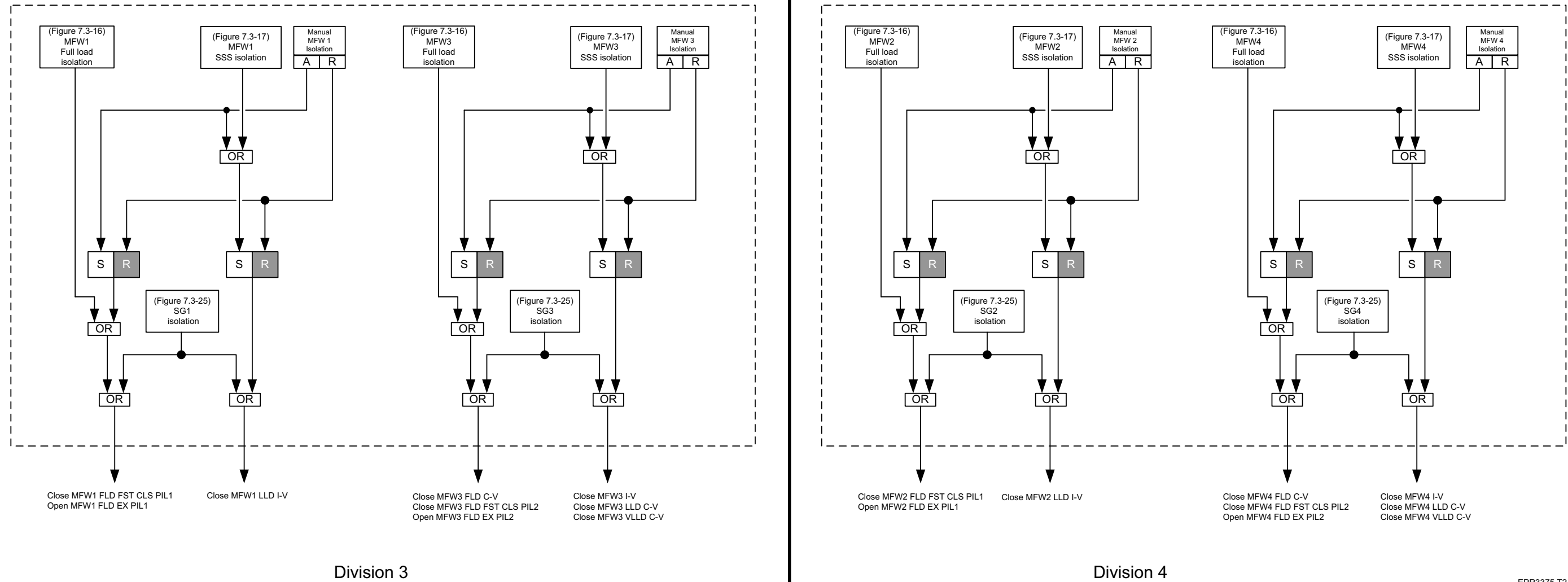
EPR3365 T2

Figure 7.3-18—MFW Actuators (Div. 1&2)



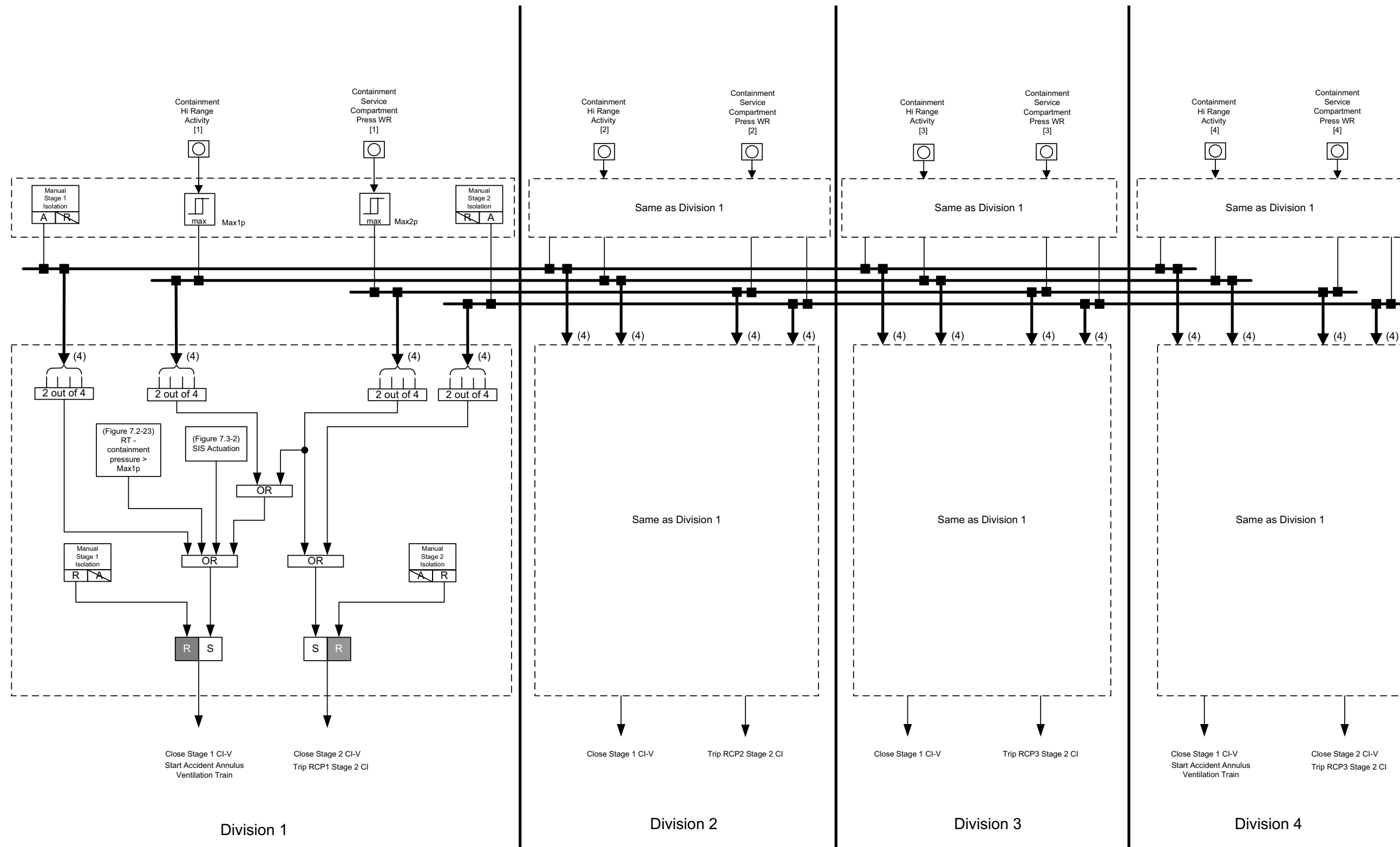
EPR3370 T2

Figure 7.3-19—MFW Actuators (Div. 3&4)



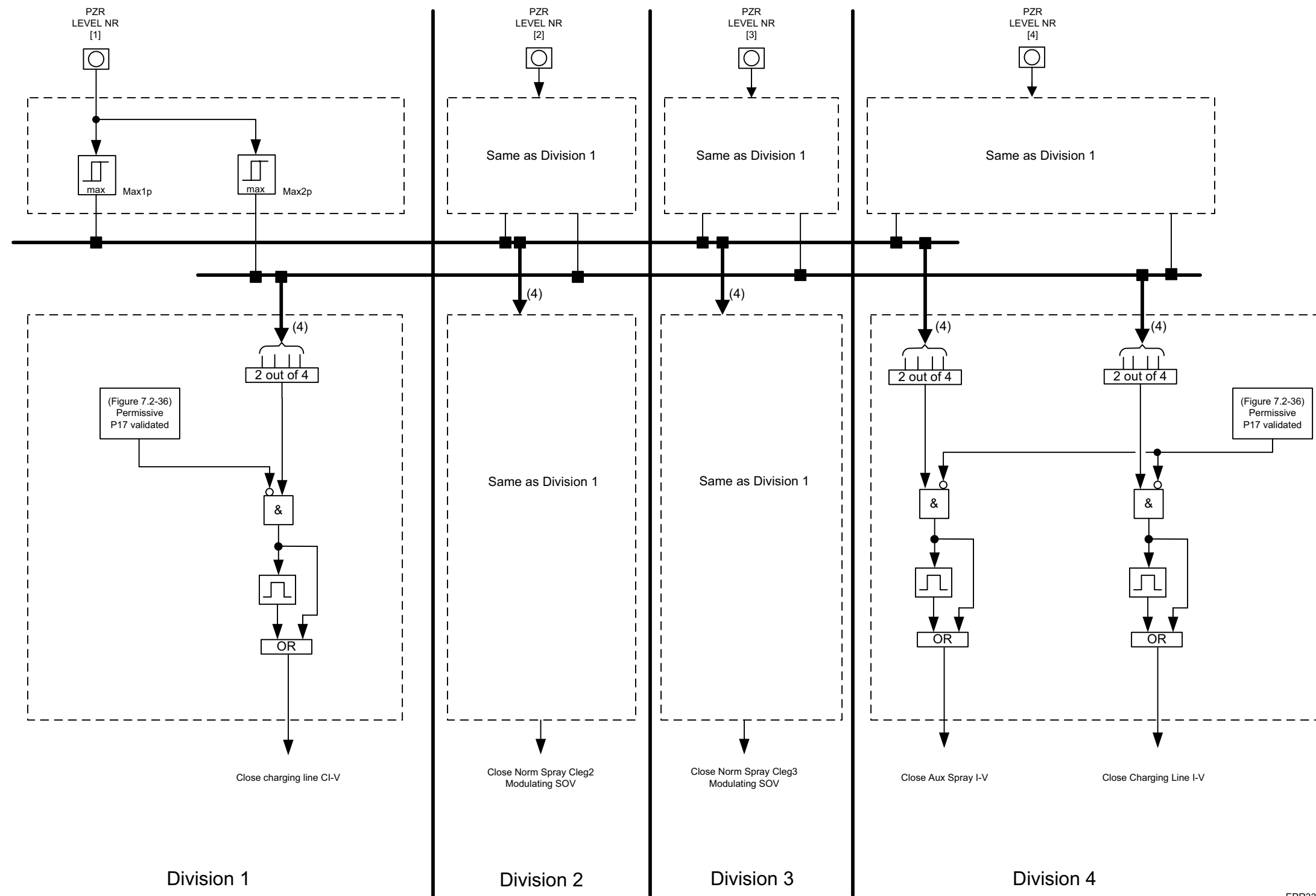
EPR3375 T2

Figure 7.3-20—Containment Isolation



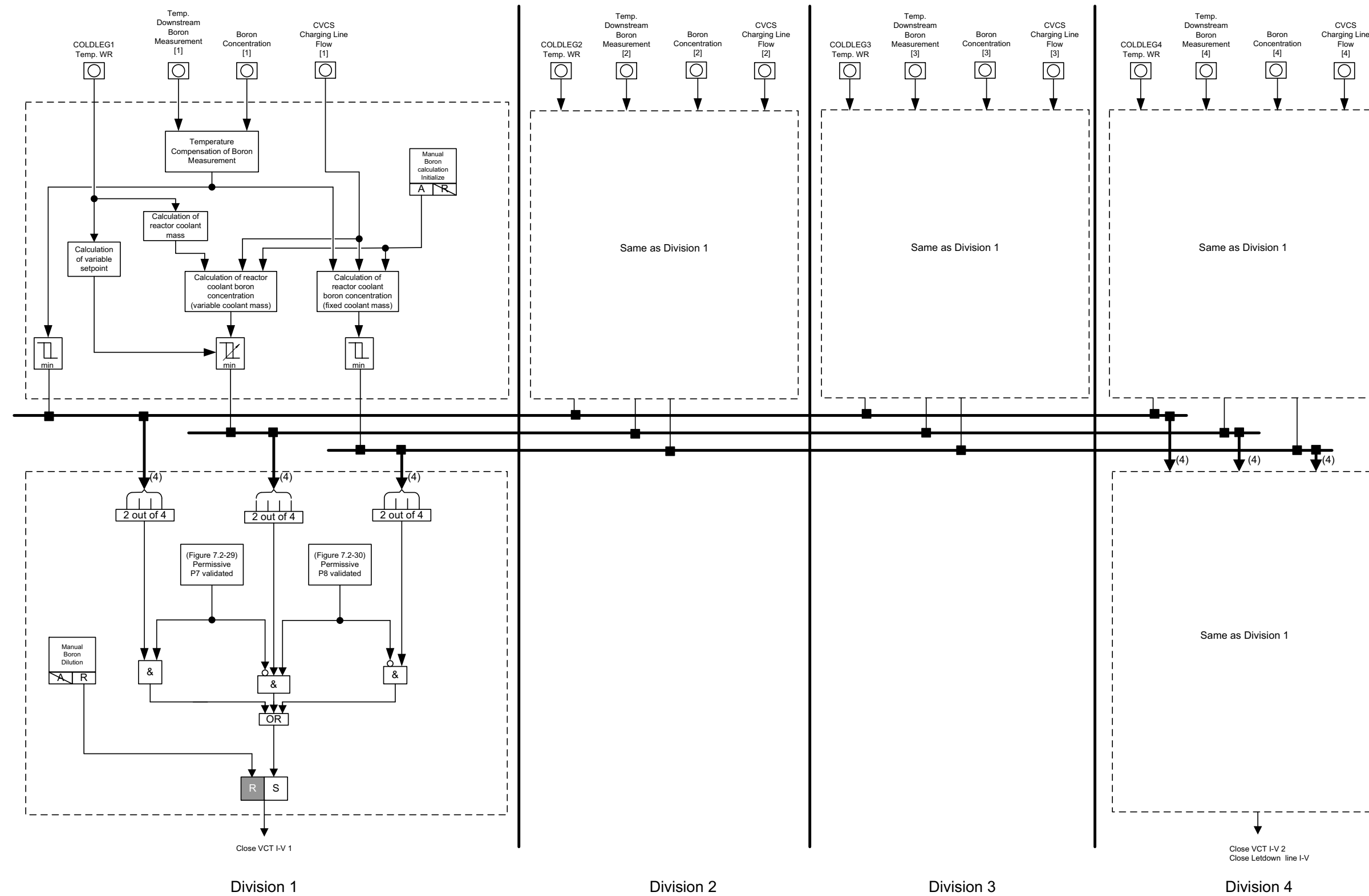
EPR3380 T2

Figure 7.3-21—CVCS Isolation



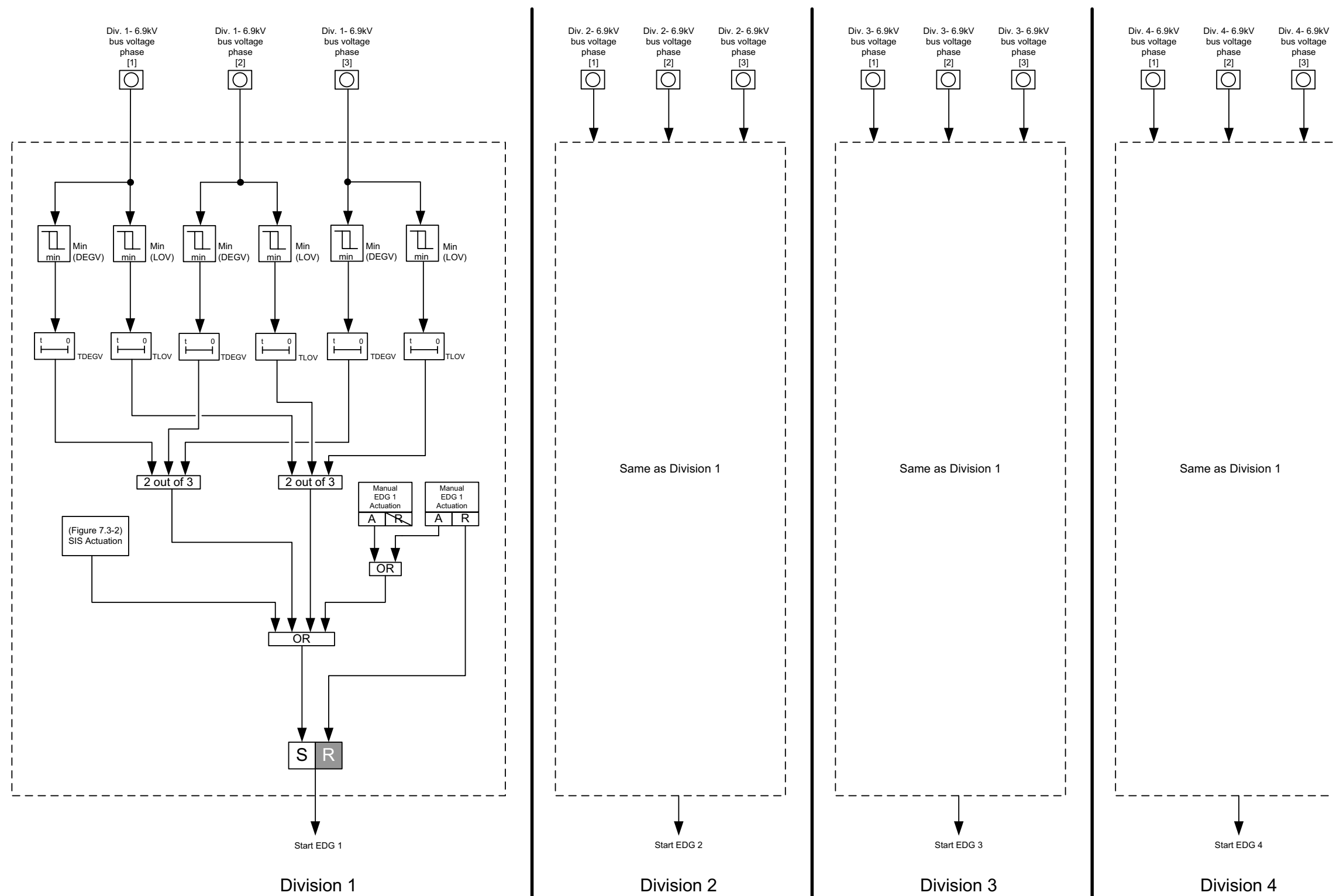
EPR3385 T2

Figure 7.3-22—Anti-Dilution



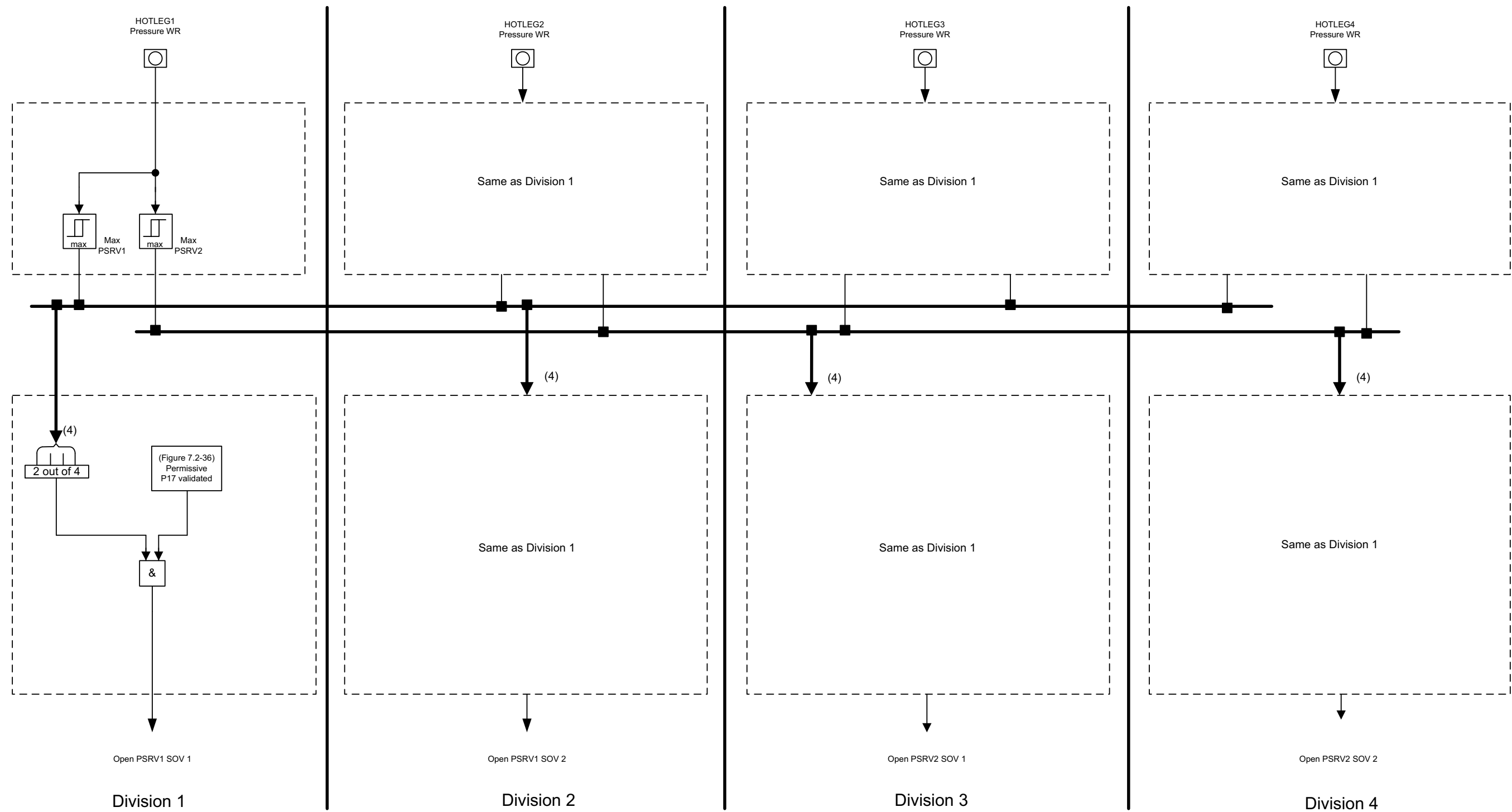
EPR3390 T2

Figure 7.3-23—EDG Actuation



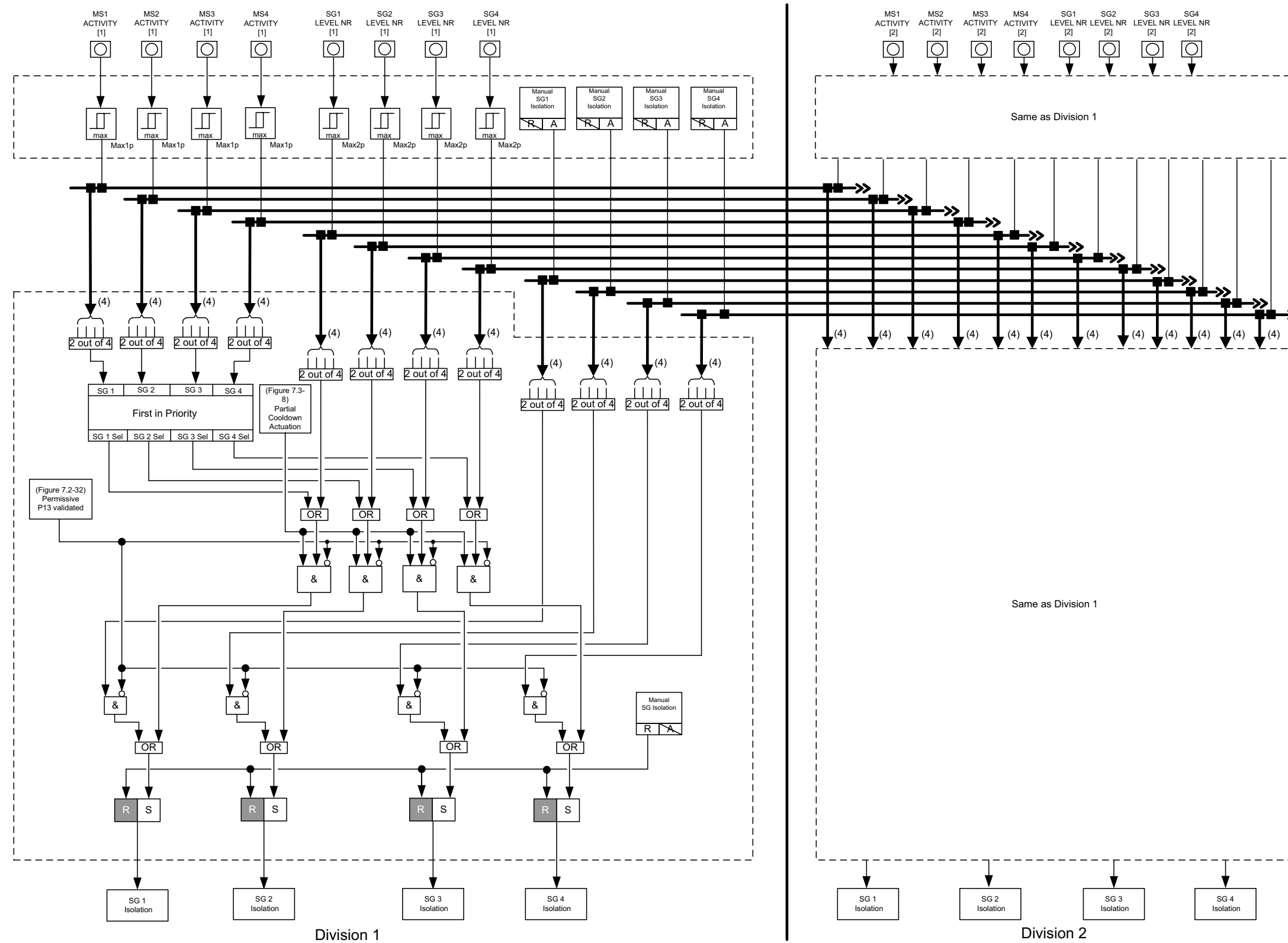
EPR3395 T2

Figure 7.3-24—PSV Opening



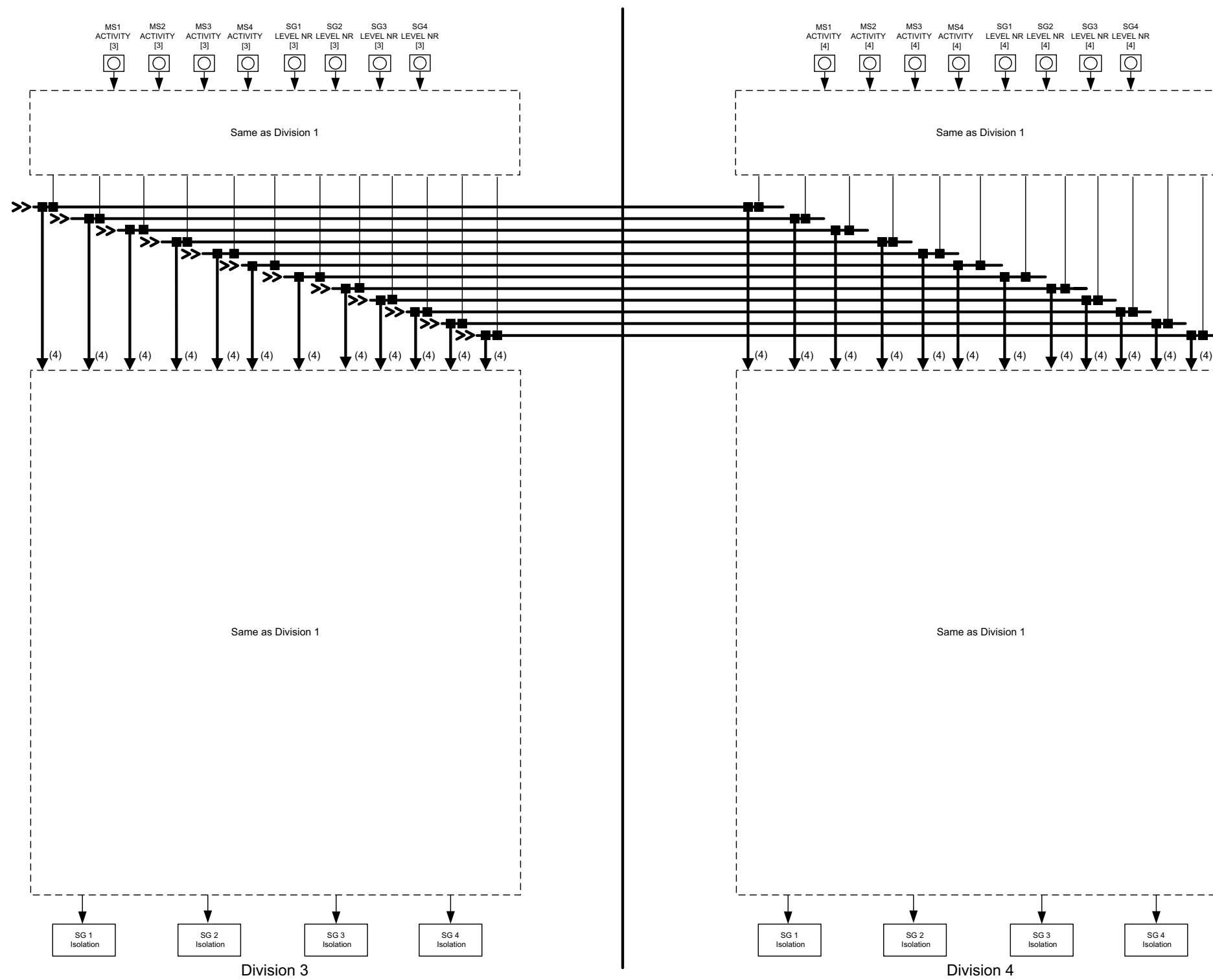
EPR3400 T2

Figure 7.3-25—SG Isolation (Div. 1&2)



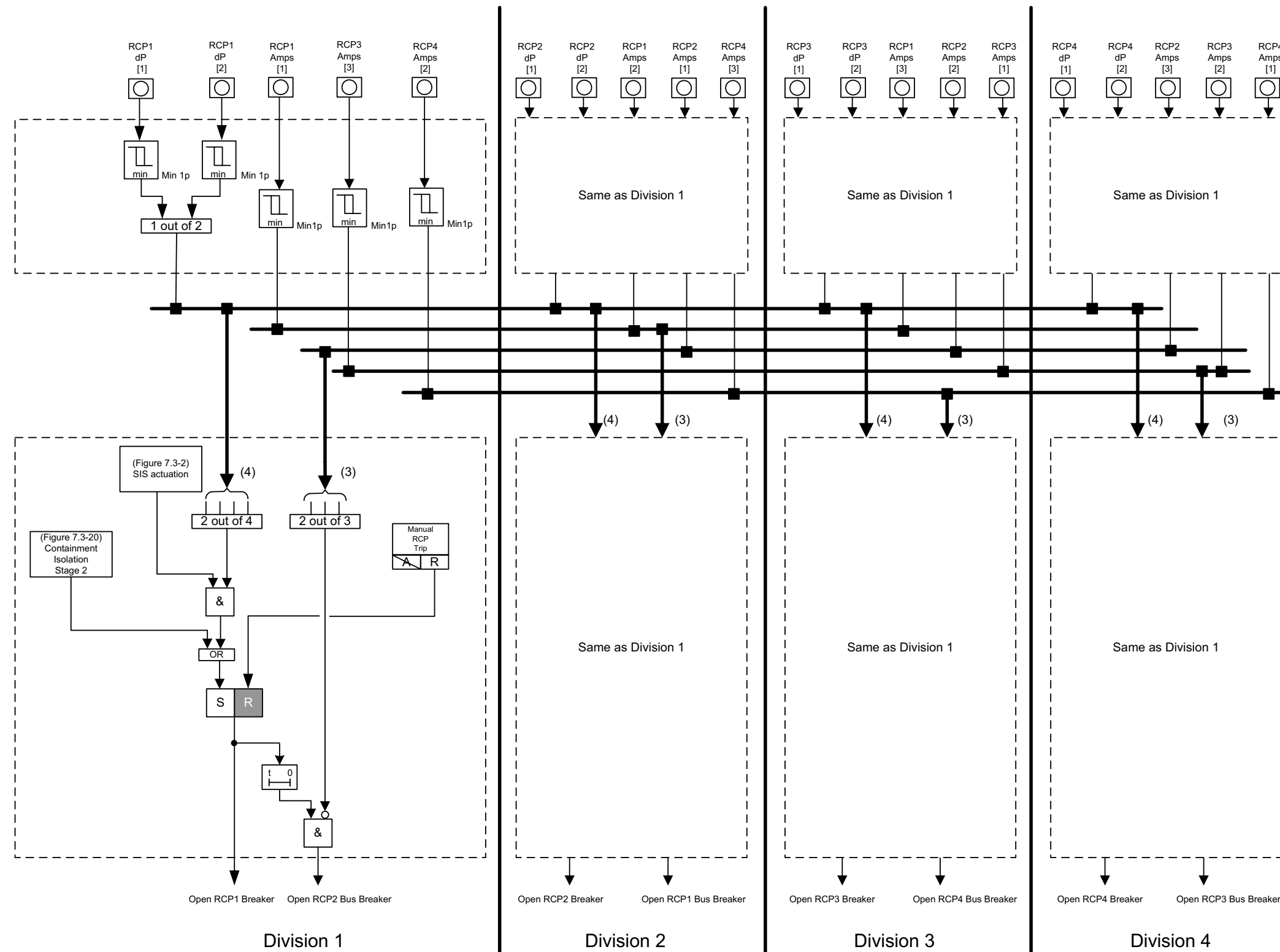
EPR3405 T2

Figure 7.3-26—SG Isolation (Div. 3&4)



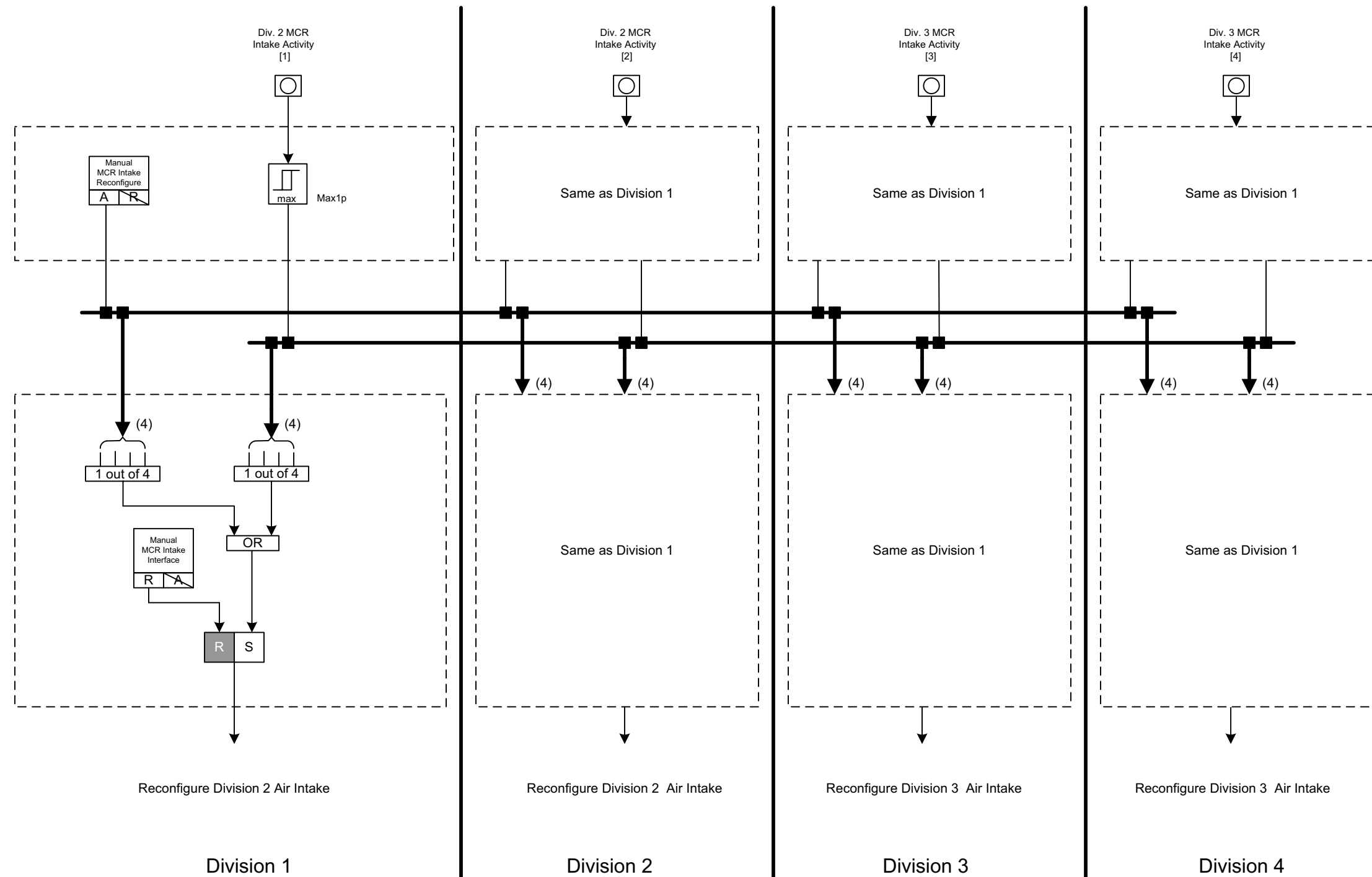
EPR3410 T2

Figure 7.3-27—RCP Trip



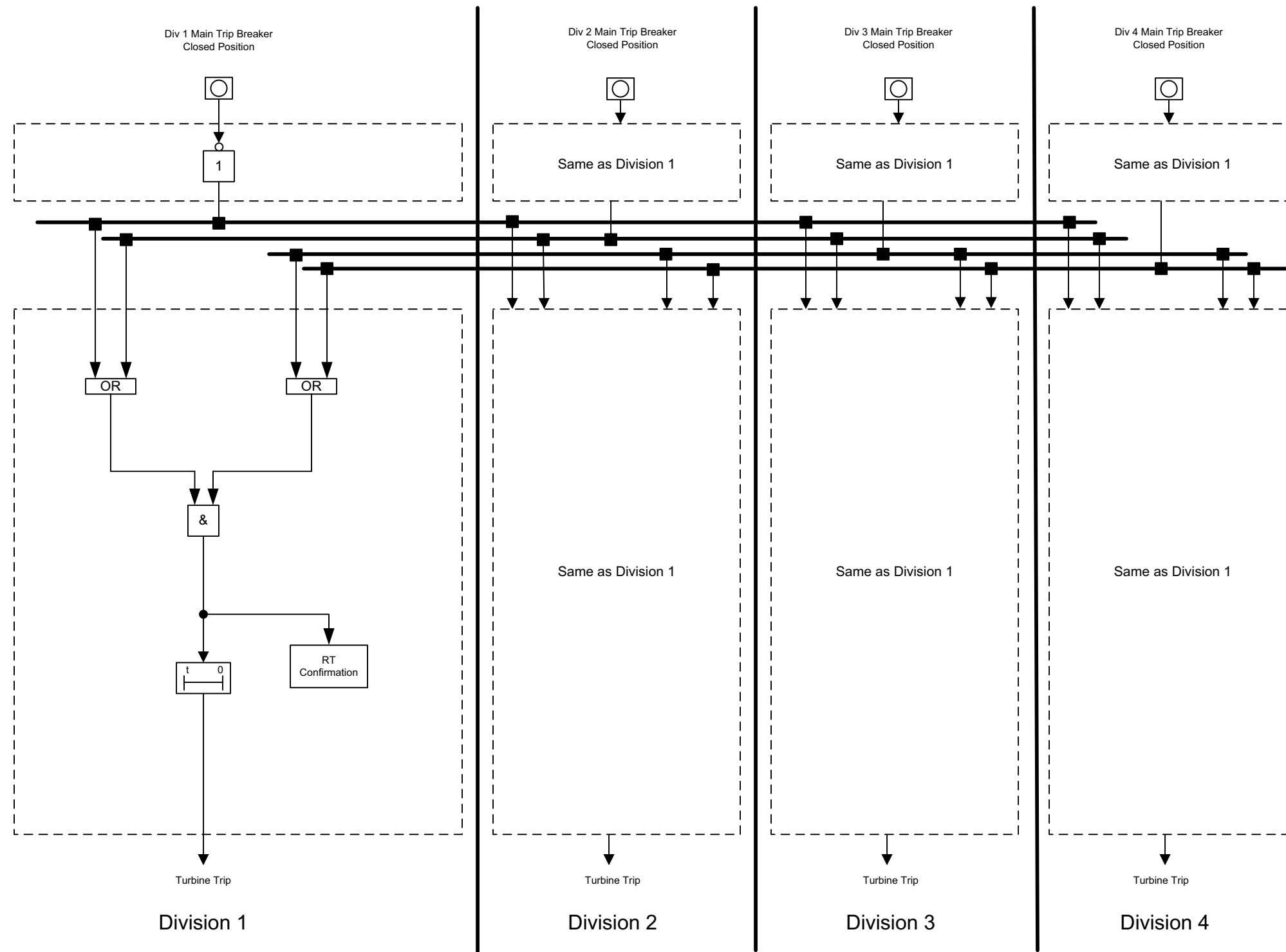
EPR3415 T2

Figure 7.3-28—MCR Isolation and Filtering



EPR3420 T2

Figure 7.3-29—Turbine Trip on Reactor Trip Confirmation



EPR3425 T2