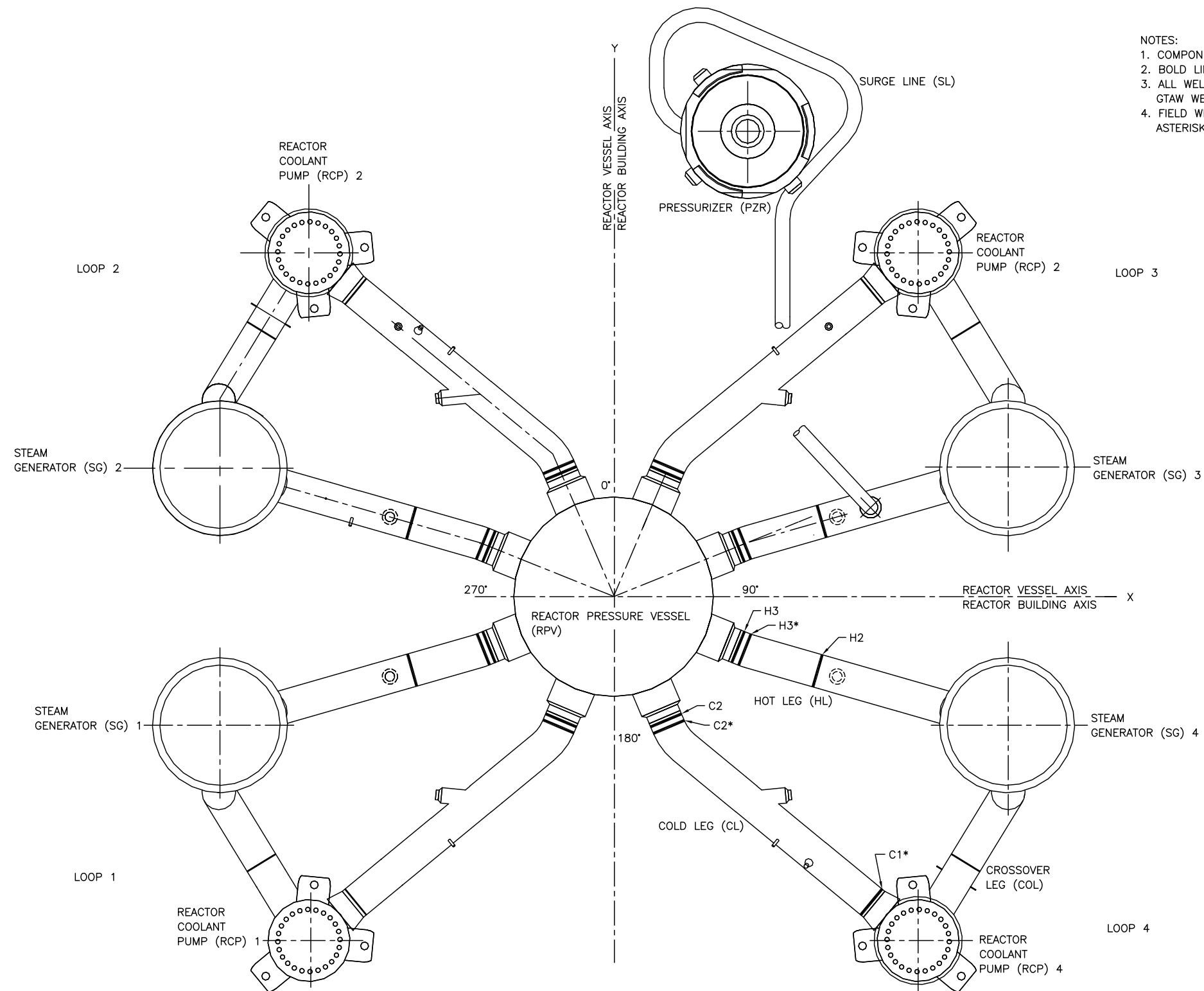


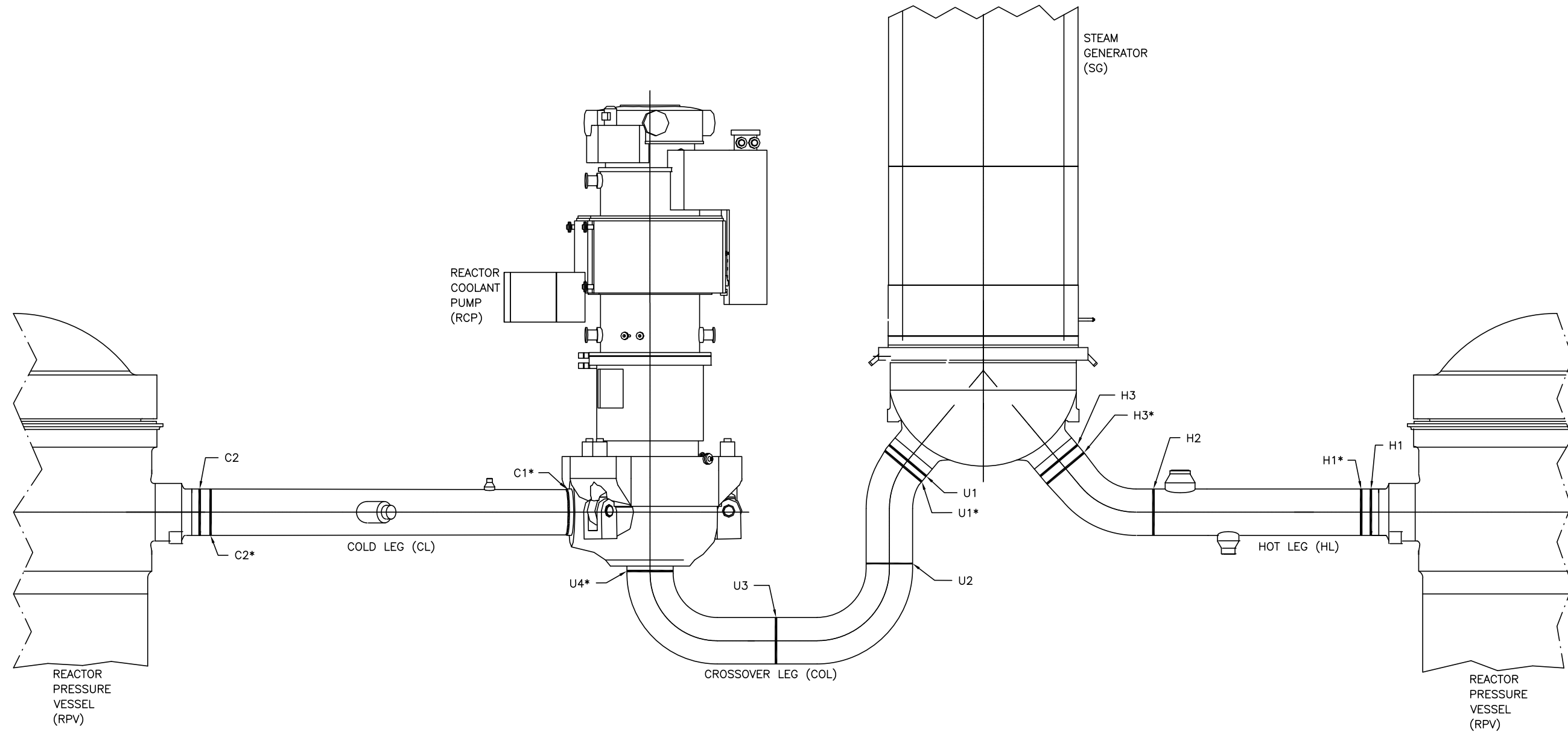
Figure 3.6.3-1—Plain View of U.S. EPR RCS Primary Piping



- NOTES:
1. COMPONENTS & PIPING ROTATED FOR CLARITY
 2. BOLD LINES DENOTE WELD LOCATIONS
 3. ALL WELDS FABRICATED USING NARROW GROOVE GTAW WELDING PROCESS
 4. FIELD WELDS ARE THOSE DESIGNATED WITH AN ASTERISK

JEC01 T2

Figure 3.6.3-2—Elevation View of U.S. EPR RCS Primary Piping



- NOTES:
1. COMPONENTS & PIPING ROTATED FOR CLARITY
 2. BOLD LINES DENOTE WELD LOCATIONS
 3. ALL WELDS FABRICATED USING NARROW GROOVE GTAW WELDING PROCESS
 4. FIELD WELDS ARE THOSE DESIGNATED WITH AN ASTERISK

JEC02 T2

Figure 3.6.3-3—Plan, Elevation, and Isometric View of the U.S. EPR Surge Line

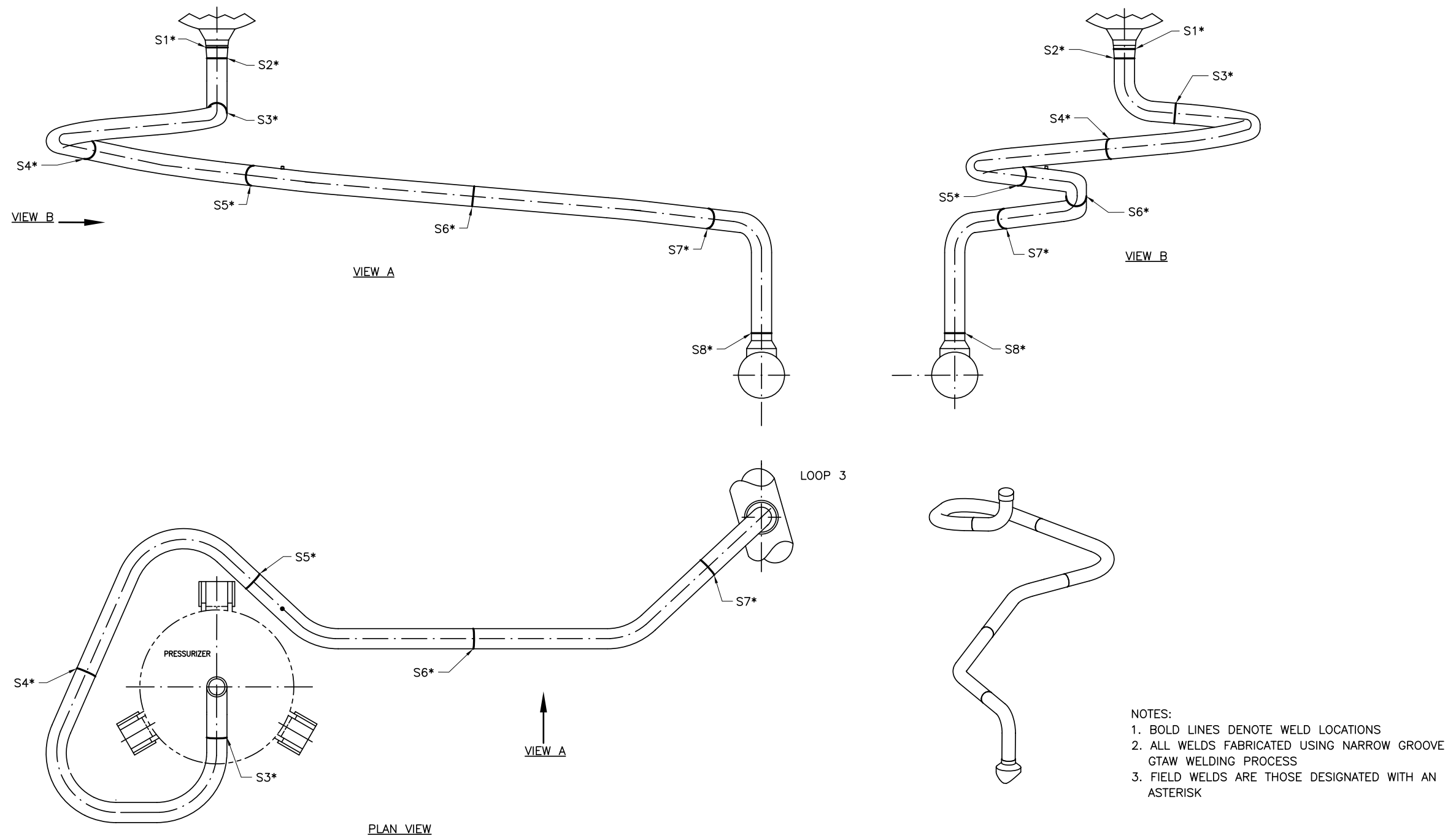
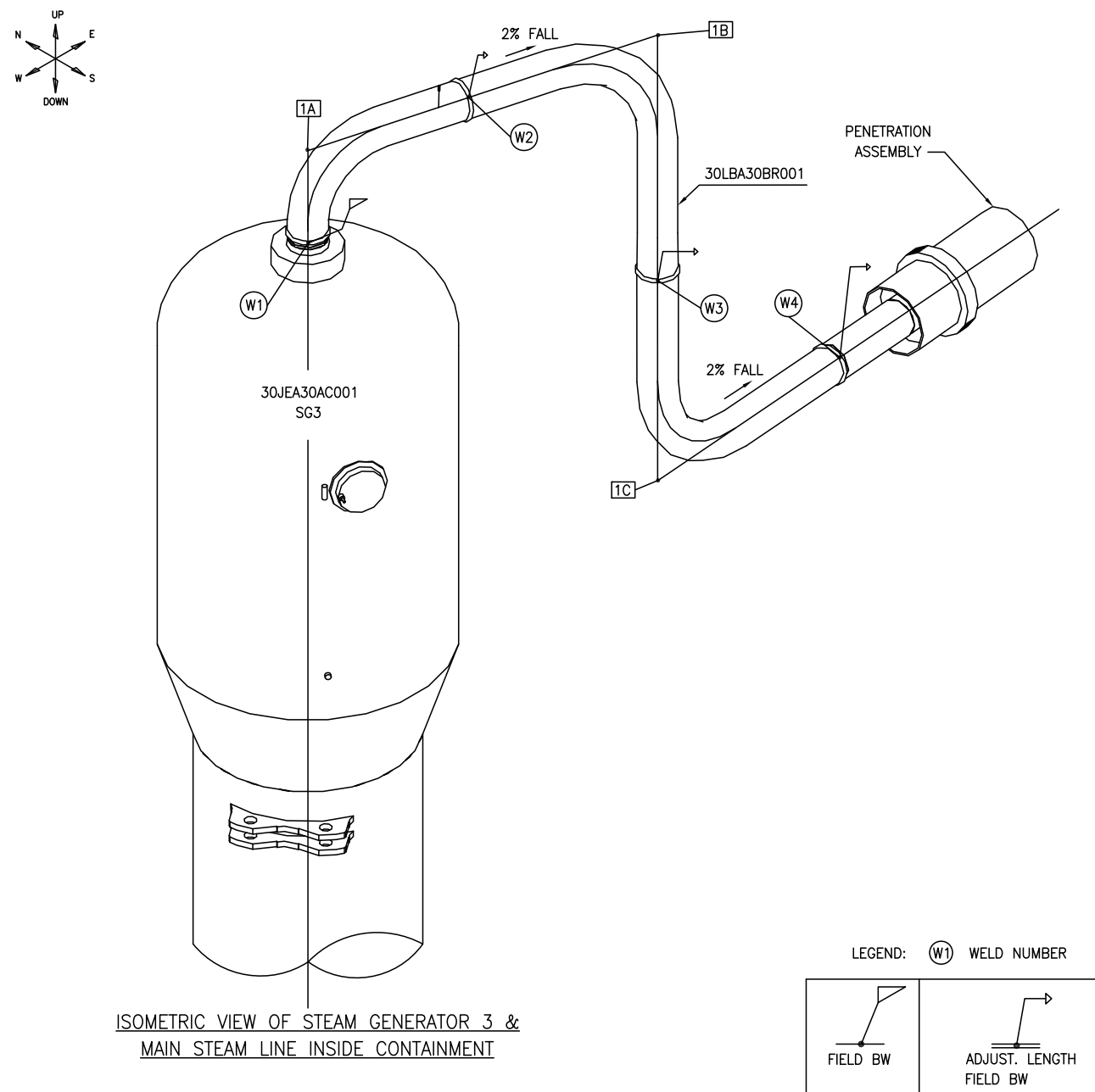


Figure 3.6.3-4—Isometric View of the Main Steam Line



LBA001 T2