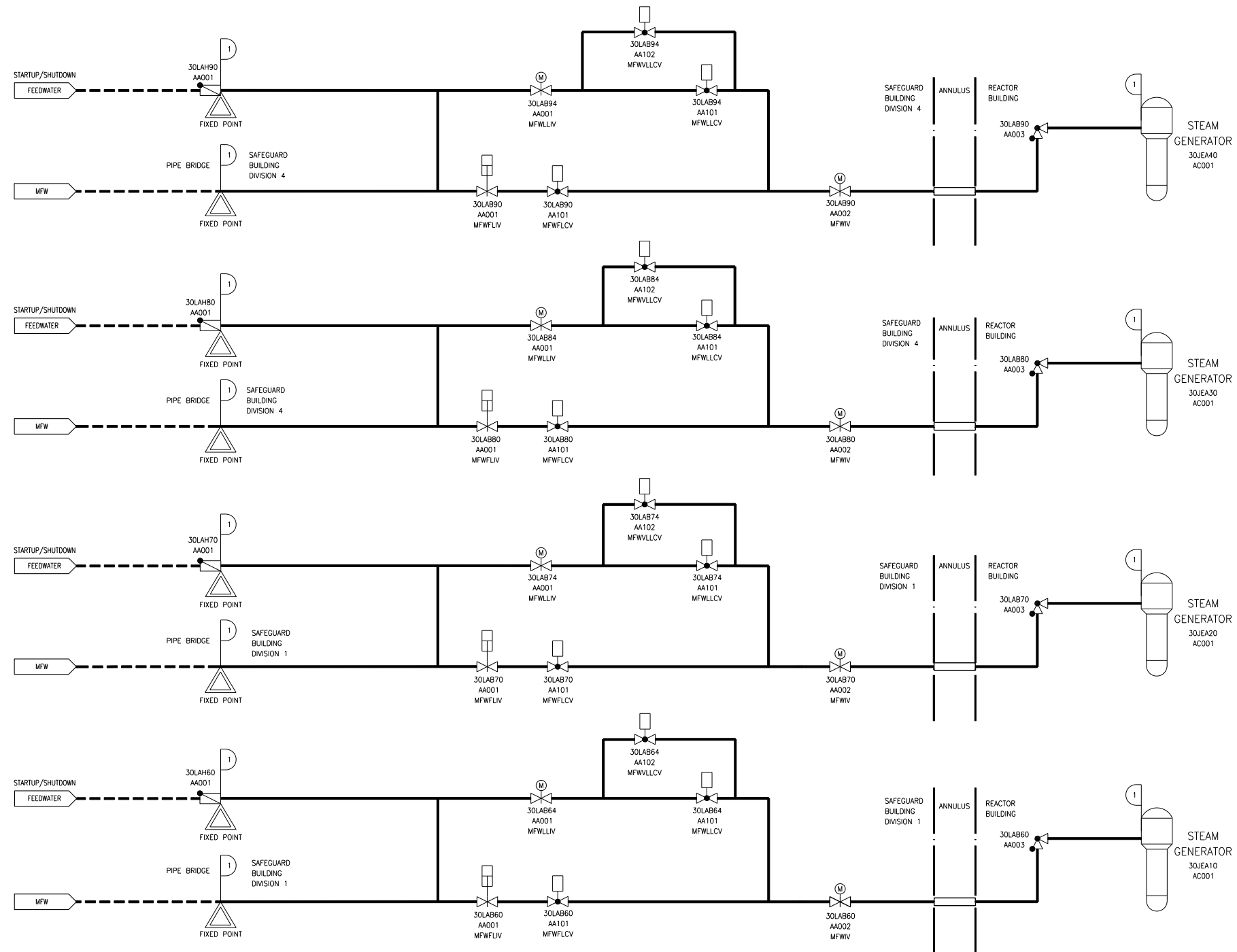


Figure 2.8.6-1—Main Feedwater System Functional Arrangement



1	III	I
DESIGN AREA	ASME	SSC SEISMIC CLASS

LAB01T1