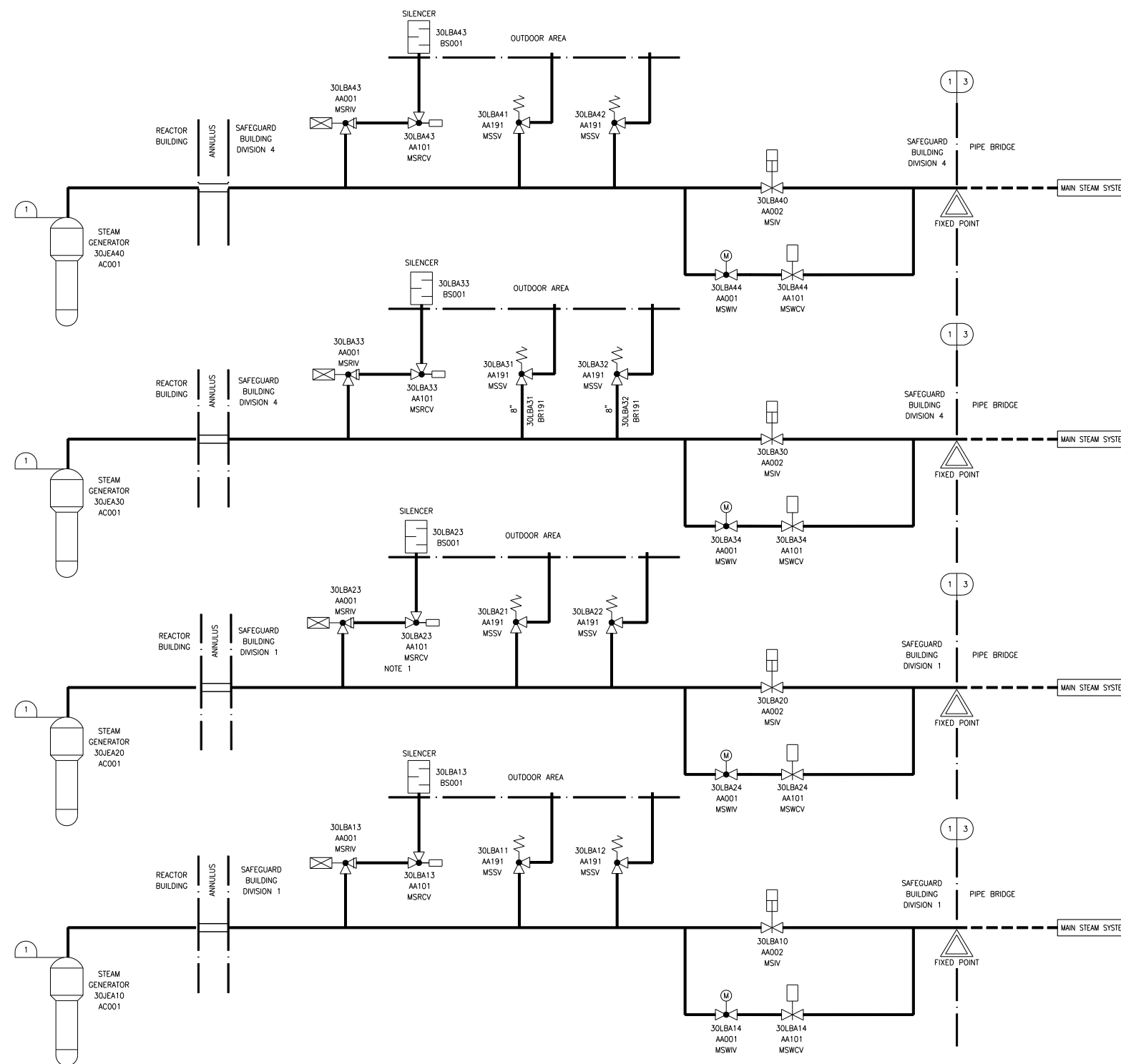


Figure 2.8.2-1—Main Steam Supply System Functional Arrangement
Sheet 1 of 2

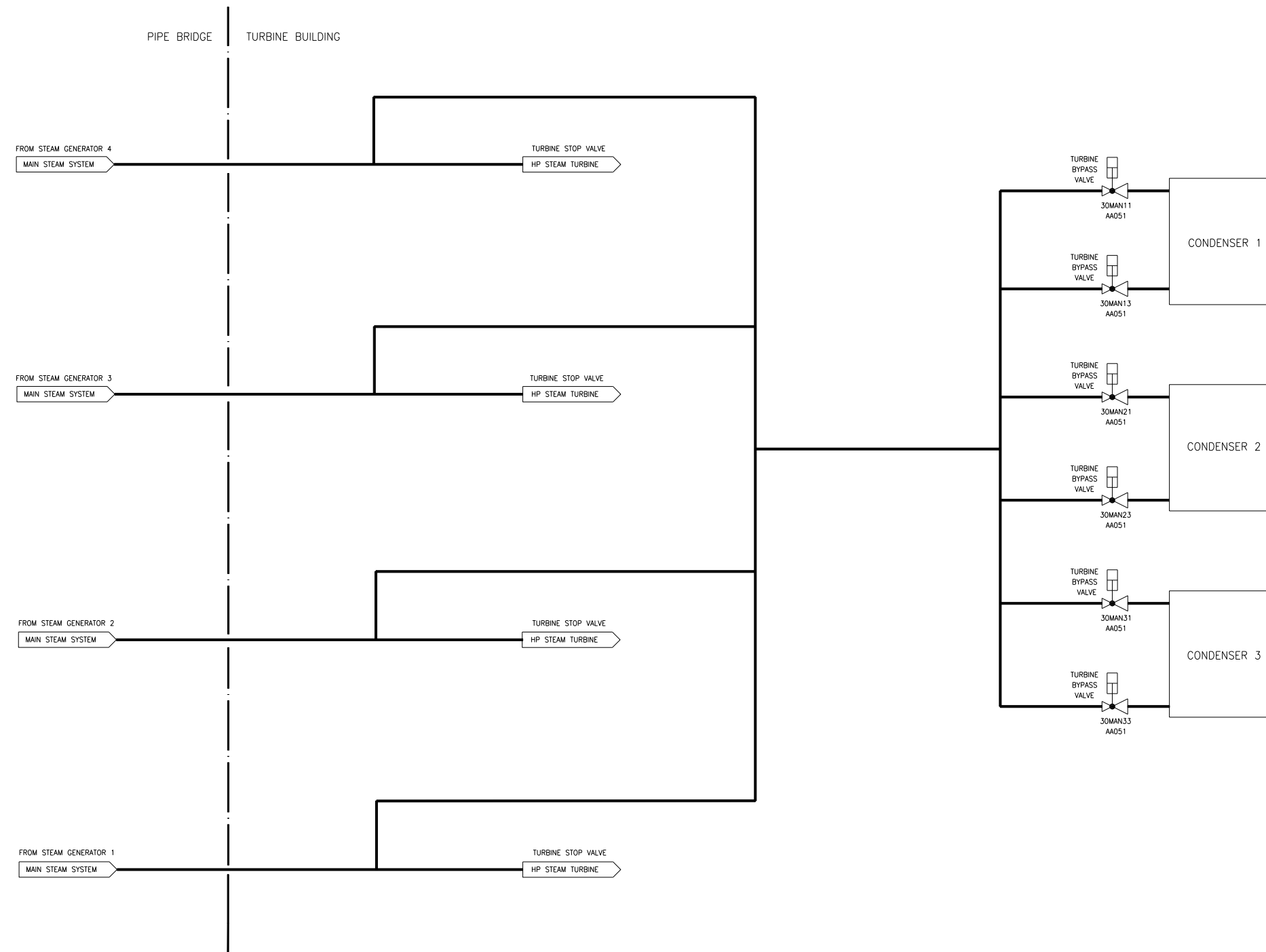


MSIV – MAIN STEAM ISOLATION VALVE
 MSRCV – MAIN STEAM RELIEF CONTROL VALVE
 MSRV – MAIN STEAM RELIEF ISOLATION VALVE
 MSSV – MAIN STEAM SAFETY VALVE
 MSWCV – MAIN STEAM WARMING CONTROL VALVE
 MSWIV – MAIN STEAM WARMING ISOLATION VALVE

3	N/A	N/A
1	III	I
DESIGN AREA	ASME	SSC SEISMIC CLASS

LBA01T1

Figure 2.8.2-1—Main Steam Supply System Functional Arrangement
Sheet 2 of 2



3	N/A	N/A
DESIGN AREA	ASME	SSC SEISMIC CLASS

LBA02T1